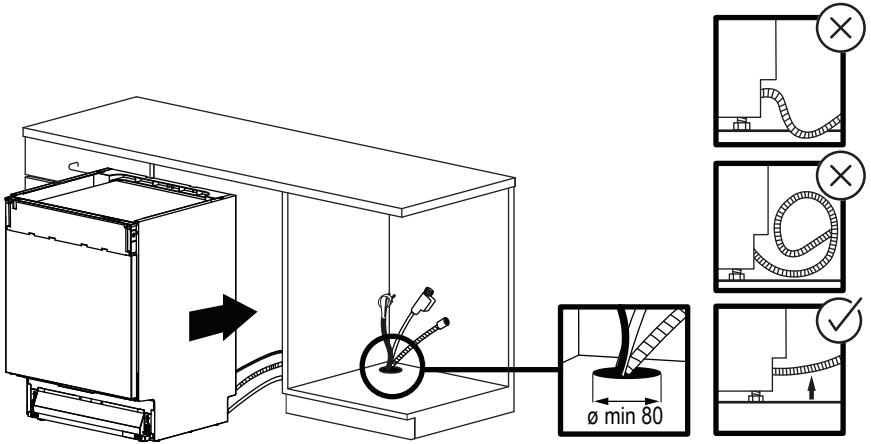
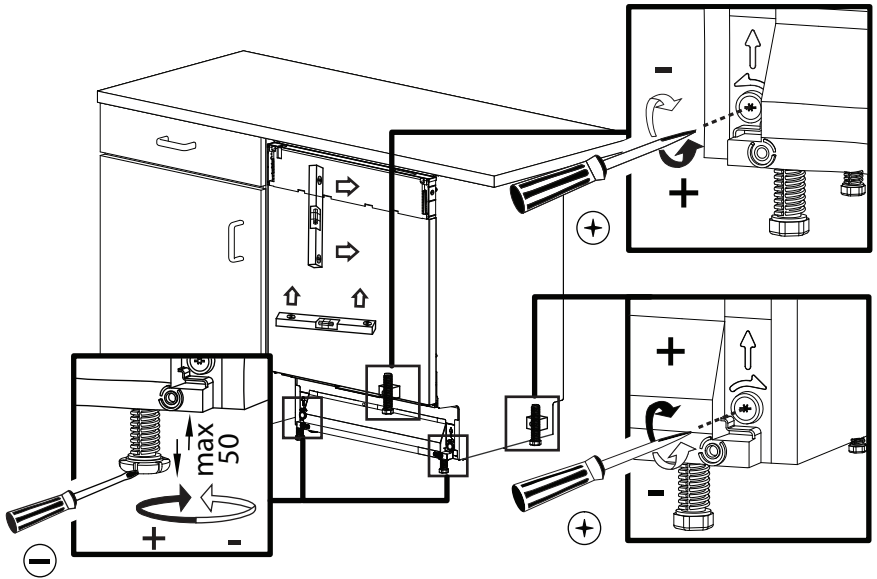


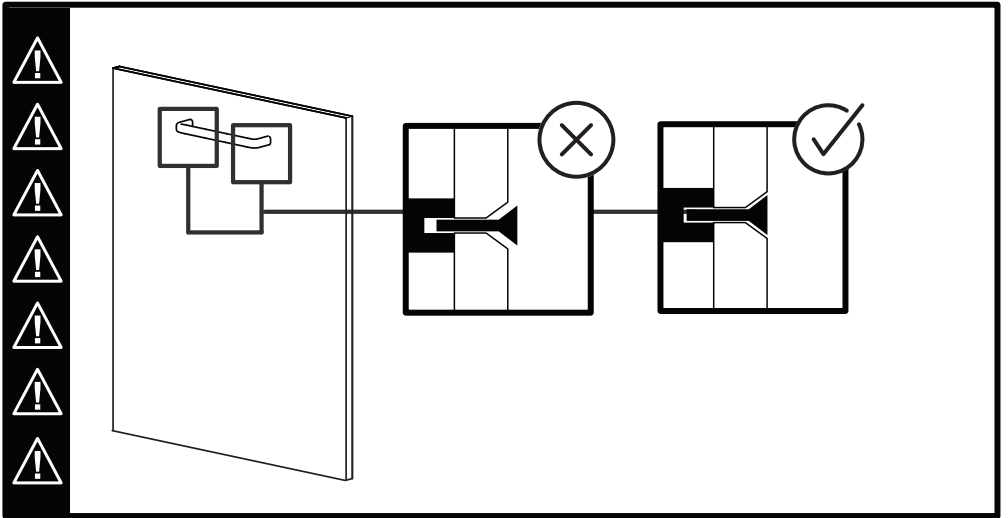


3

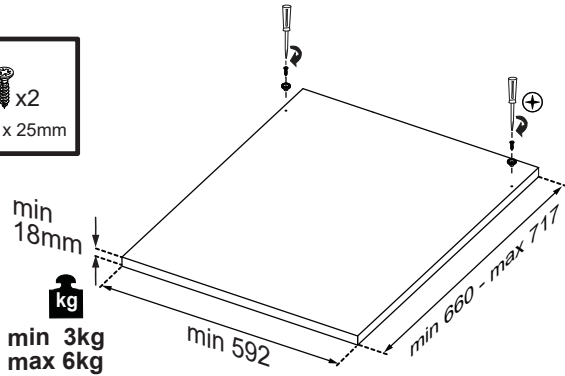
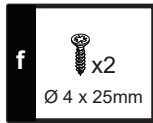
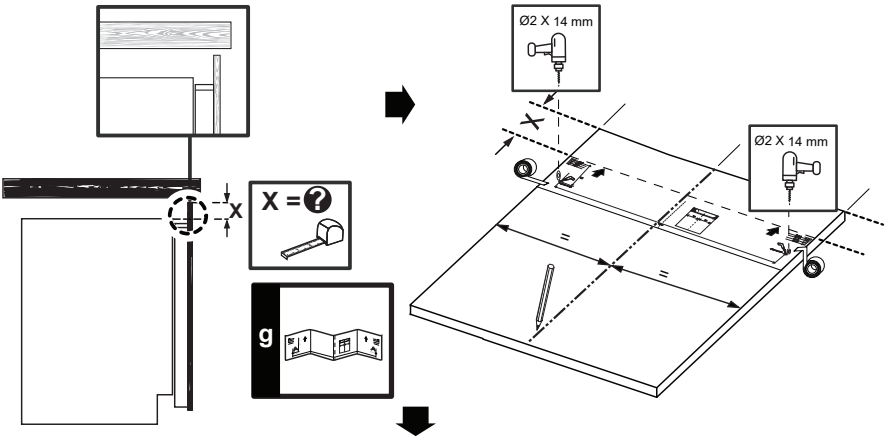
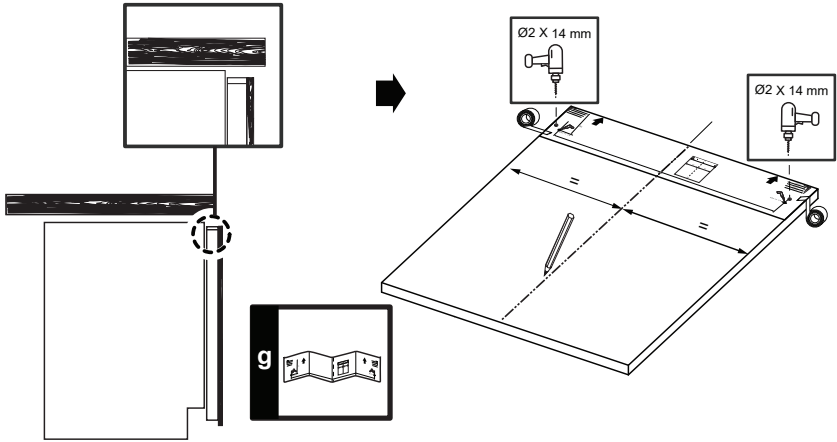


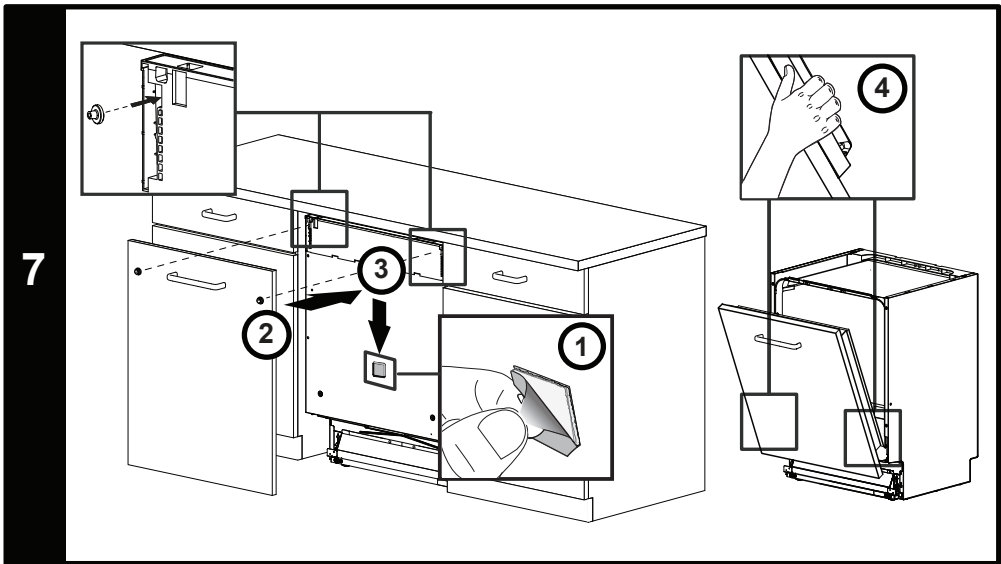
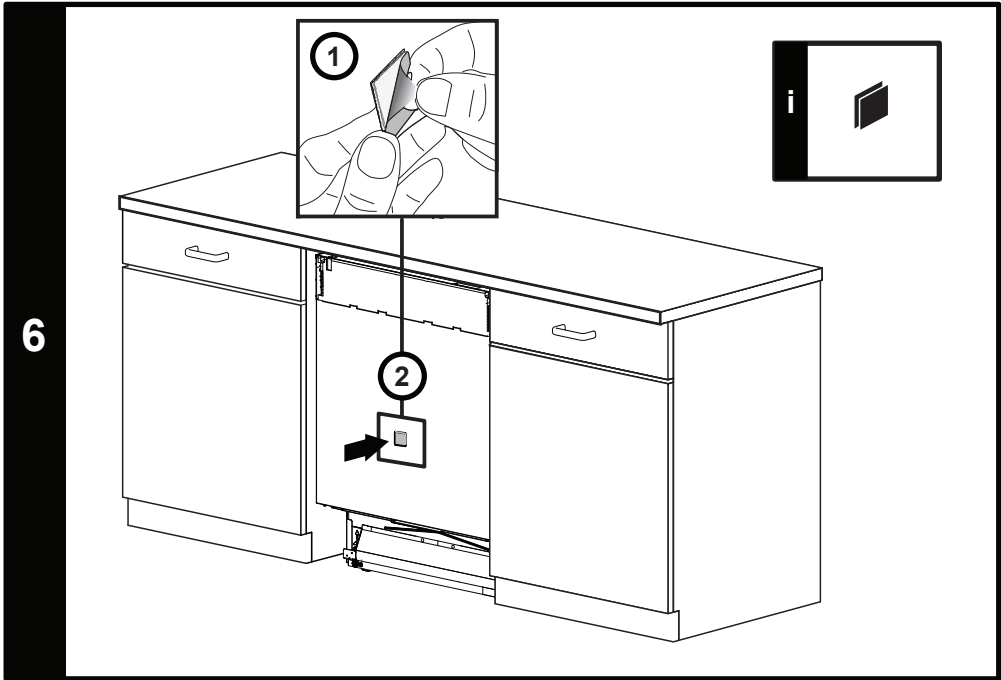
4



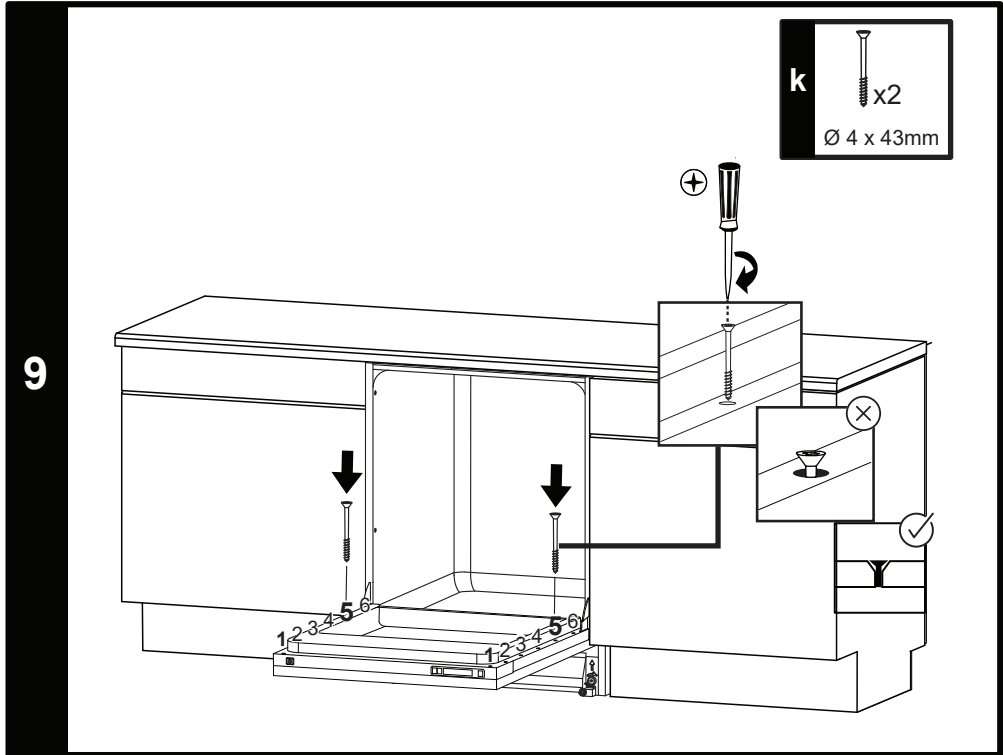
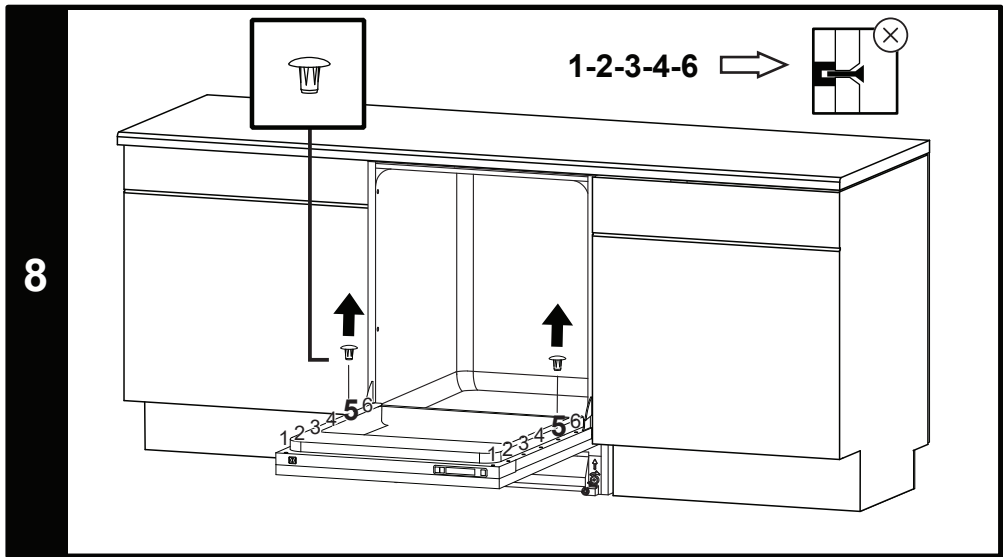


5



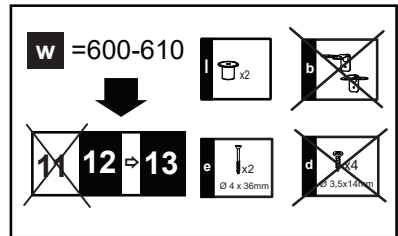
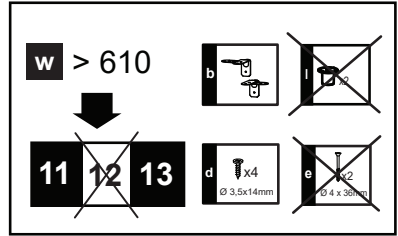
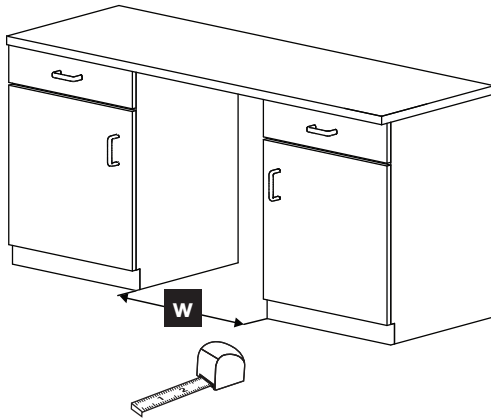




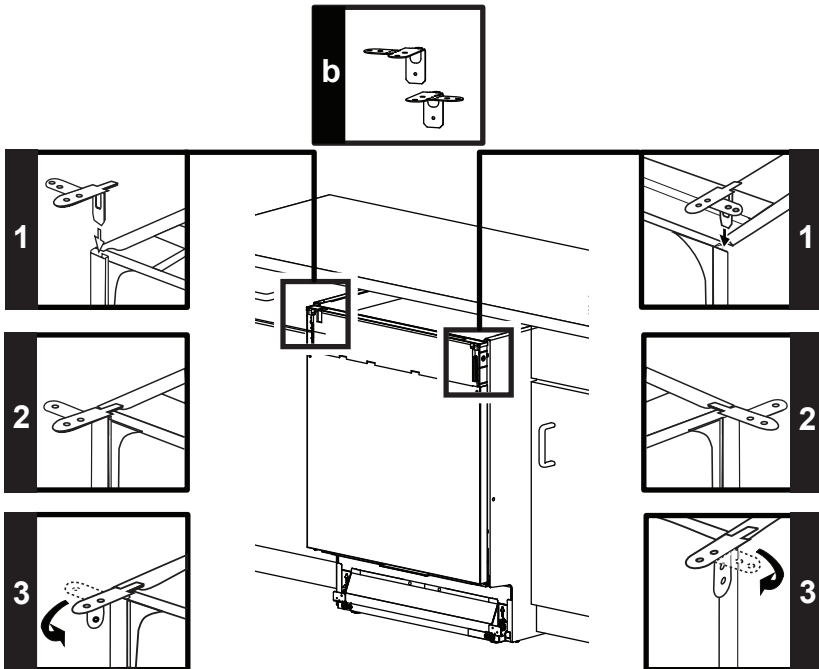




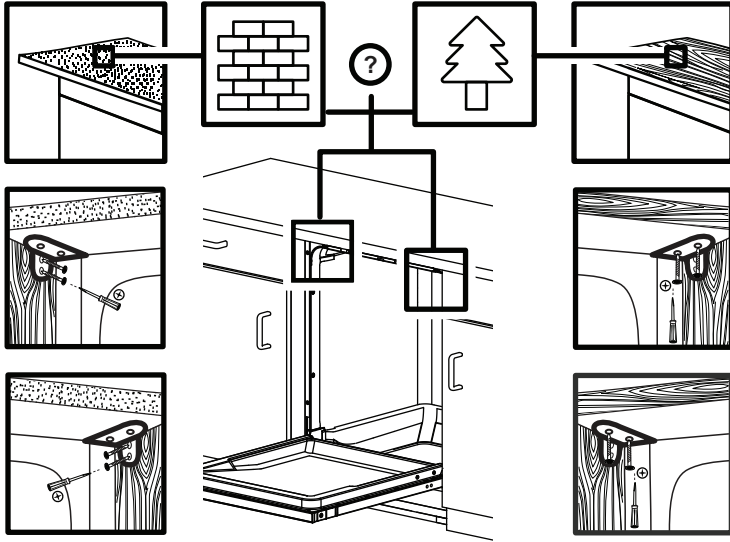
10




11  
a

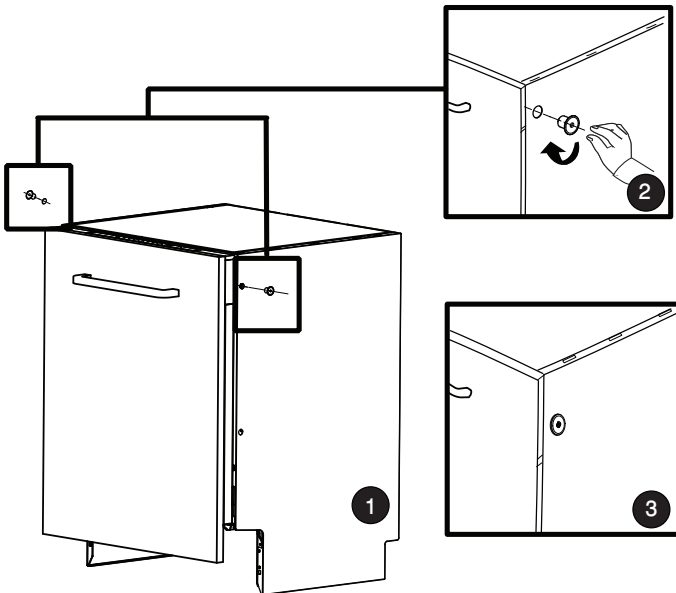



11  
b

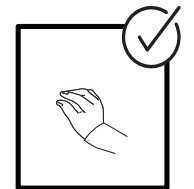
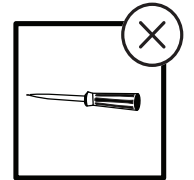


d  x4  
Ø 3,5x14mm

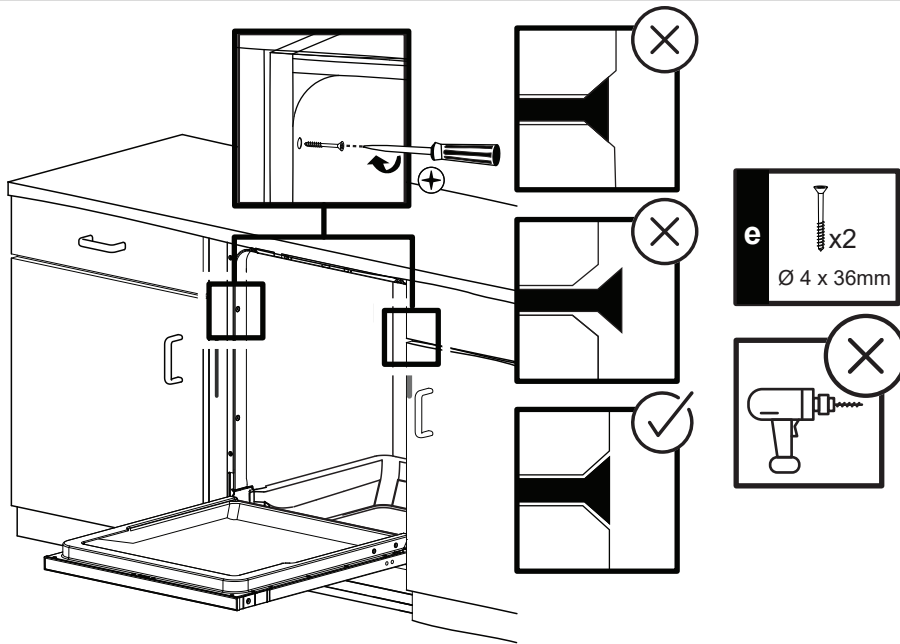
12  
a



 x2



12  
b



13

