

GRUNDIG

Refrigerator

User Manual

Frigider

Manual de utilizare



GKPN6893FXD

11 5075 9900/ EN/ RO/ AA/ 18.03.24 14:28
7296546942

Please read this manual first!

Dear Customer

Please read this manual before using the product.

Thank you for choosing this Grundig product. We would like you to achieve the optimal efficiency from this high quality product which has been manufactured with state of the art technology. To do this, carefully read this manual and any other documentation provided before using the product and keep it as a reference.

Heed all information and warnings in the user manual. This way, you will protect yourself and your product against the dangers that may occur.

Keep the user manual. Include this manual with the unit if you hand it over to someone else.

The following symbols are used in the user manual:



Hazard that may result in death or injury.



Important information or useful tips on operation.



Read the user manual.



Combustible material, warning against fire hazard.

NOTICE A hazard that may cause material damage to the product or its surroundings

  SUPPLIER'S NAME  MODEL IDENTIFIER → (*) 	<p>The model information as stored in the product data base can be reached by entering following website and searching for your model identifier (*) found on energy label.</p> <p>https://eprel.ec.europa.eu/</p>
---	--

1	Safety Instructions.....	4
1.1	Intention of Use	4
1.2	Safety of Children, Vulnerable Persons and Pets	4
1.3	Electrical Safety.....	5
1.4	Handling Safety	5
1.5	Installation Safety.....	6
1.6	Operational Safety.....	8
1.7	Food Storage Safety.....	10
1.8	Maintenance and Cleaning Safety	11
1.9	Disposal of the Old Product.....	12
2	Environmental Instructions.....	12
2.1	Compliance with the WEEE Dir- ective and Disposing of the Waste Product	12
3	Your Refrigerator	13
4	Installation	13
4.1	Right Place For Installation.....	14
4.2	Electrical Connection	14
4.3	Adjusting the Legs.....	14
4.4	Hot Surface Warning.....	14
5	Preparation.....	15
5.1	What To Do For Energy Saving	15
5.2	First Use	15
5.3	Climate Class and Definitions	15
6	Control Panel of the Product.....	16
7	Using The Product.....	18
7.1	Storing Food in the Freezer and Cooler Compartment.....	18
7.2	Replacing the Illumination Lamp..	21
7.3	Door Open Alert	21
7.4	Freezing Fresh Foods.....	21
7.5	Reversing the Door Opening Side.	21
8	Product Features	22
8.1	Crisper Technologies	22
8.2	Dairy Products Cold Storage Area	22
8.3	The ice storage area.....	22
8.4	Egg holder	22
8.5	AeroFresh.....	22
8.6	Humidity Controlled Crisper	23
9	Maintenance and Cleaning	23
10	Troubleshooting.....	24

1 Safety Instructions

- This section includes the safety instructions necessary to prevent the risk of personal injury or material damage.
- Our company shall not be held responsible for damages that may occur if these instructions are not observed.



Always have installation and repair operations performed by manufacturer, authorized service or a person who will be described by importer company.



Use original spare parts and accessories only.



Do not repair or replace any component of the product unless it is clearly specified in the user manual.



Do not perform any modifications on the product.

1.1 Intention of Use

- This product is not suitable for commercial use and should not be used for a purpose other than its intended use.
- This product is intended for operating interiors, such as households or similar.

For example;

In the staff kitchens of the stores, offices and other working environments,

In farm houses,
In the units of hotels, motels or other resting facilities that are used by the customers,
In hostels, or similar environments,
In catering services and similar non-retail applications.

- This product shall not be used in open or enclosed external environments such as vessels, camper vans, balconies or terraces. Exposing the product to rain, snow, sunlight and wind may cause risk of fire.



1.2 Safety of Children, Vulnerable Persons and Pets

- This product may be used by children aged 8 years and older and persons with underdeveloped physical, sensory or mental capabilities or lack of experience and knowledge if they are being supervised or have been given instruction concerning use of the appliance in a safe way and the hazards involved.
- Children between 3 and 8 years are allowed to put and take out food into/from the cooler product.

- Children and pets must not play with, climb on, or get inside the product.
- Children and pets must be kept away from the cabin area (compressor) where electrical parts are located.
- Cleaning and user maintenance must not be performed by children unless there is someone overseeing them.
- Keep the packaging materials away from children. Risk of injury and suffocation.
- Portable multi-plugs or portable power supplies may overheat and cause fire. Thus, do not have a multi-plug, portable power sources behind or in the vicinity of the product.
- Do not plug the product's power cord in a loose or damaged power outlet. These types of connections may overheat and cause fire.
- The plug shall be easily accessible. If this is not possible, a mechanism that meets the electrical legislation and that disconnects all terminals from the mains (fuse, switch, main switch, etc.) shall be available on the electrical installation.

1.3 Electrical Safety

- The product shall not be plugged into the outlet during installation, maintenance, cleaning, repair, and transportation operations.
- If the power cable is damaged, it shall only be replaced by authorized service to avoid any risks that may occur.
- Do not tuck the power cable under the product or to the rear of the product. Do not put heavy items on the power cable. The power cable should not be bent, crushed, and come into contact with any heat source.
- Do not use an extension cord, multi-plug or adaptor to operate your product.
- Do not use the product when your feet are bare or your body is wet.
- Do not touch the plug with wet hands.
- When unplugging the appliance, don't hold the power cord, but the plug.

1.4 Handling Safety

- Make sure to unplug the appliance before carrying the product.

- This product is heavy, do not handle it by yourself. Injuries may occur if the product falls on you. Do not bump into places or drop the product while transporting it.
- Always close the doors and do not hold the product by its doors while transporting it.
- Be careful not to damage the cooling system and the pipes while handling the product. Do not operate the product if the pipes are damaged, and contact an authorized service.
- Check for any damage on the product before installing it. Do not have the product installed if it is damaged.
- Always use personal protective equipment (gloves, etc.) during product installation, maintenance and repair. Risk of Injury!
- Place the product on a clean, level and hard surface and balance it with the adjustable legs (by rotating the front feet to the right or left). Otherwise, the refrigerator may tip over and cause injuries.

1.5 Installation Safety

- Contact the Authorized Service for the product's installation. To prepare the product for use, see the information in the user manual and make sure the electric and water utilities are as required. If not, call a qualified electrician and plumber to arrange the utilities as necessary. Failure to do so may result in electric shock, fire, problems with the product, or injury.
- This product is designed for use at a maximum altitude of 2000 metres above sea level.
- Keep children away from installation area.
- The product shall be installed in a dry and ventilated environment. Do not keep carpets, rugs or similar covers under the product. This may cause risk of fire as a result of inadequate ventilation!
- Do not block or cover ventilation holes. Otherwise, power consumption increases and your product may be damaged.
- When placing the product, make sure that the supply cable is not damaged or pinched.
- The product must not be connected to supply systems and power sources which may cause sudden voltage changes (i.e. a portable solar-energy power source). Otherwise,

damage to your product may occur as a result of the abrupt voltage fluctuations!

- The more refrigerant a refrigerator contains, the bigger its installation room shall be. In very small rooms, a flammable gas-air mixture may occur in case of a gas leak in the cooling system. At least 1 m³ of volume is required for each 8 grams of refrigerant. The amount of the refrigerant available in your product is specified in the Type Label.
- The product must never be placed in such a way that power cables, the metal hose of the gas stove, metal gas or water pipes come into contact with the product's rear wall (or the condenser).
- The installation place of the product must not be exposed to direct sunlight and it shall not be in the vicinity of a heat source such as stoves, radiators, etc. If you cannot prevent installation of the product in the vicinity of a heat source, use a suitable insulation plate and make sure the minimum distance to the heat source is as specified below:
 - At least 30 cm away from heat sources such as stoves, ovens, heating units and heaters, etc.,
 - And at least 5 cm away from electrical ovens.
- Your product has the protection class of I.
- Plug the product in a grounded socket that conforms with the Voltage, Current and Frequency values specified in the type label. The socket must have a 10A – 16A fuse. Our firm will not assume responsibility for any damages due to usage without earthing and without power connection in compliance with local and national regulations.
- The product's power cable must be unplugged during installation. Otherwise, risk of electric shock and injury may occur!
- Do not plug the product's power cord in loose, dislocated, broken, dirty, oily power outlets which have a risk of water contact. These types of connections may cause overheating and fire.
- Place the power cable and hoses (if any) of the product so that they shall not cause a risk of tripping over.

- Penetration of humidity and liquid to live parts or to the power cord may cause short circuit. Thus, do not use the product in humid environments or in areas where water may splash (e.g. garage, laundry room, etc.) If the refrigerator is wet by water, unplug it and contact an authorized service.
- Do not ever connect your refrigerator to power saving devices. These systems are harmful for the product.
- There is a risk of contact with electrical parts when removing the electronic board cover and the compressor rear cover (if fitted). Do not remove the electronic board cover and the compressor rear cover (if fitted). There is a risk of electrocution!
- Do not place a source of flame (e.g. candles, cigarettes, etc.) on the product or in the vicinity of it.
- Do not get on the product. Risk of falling and injury!
- Do not cause damage to the pipes of the cooling system using sharp and piercing tools. The refrigerant that sprays out in case of puncturing the gas pipes, pipe extensions or upper surface coatings may cause irritation of skin and injury to the eyes.
- Do not place and operate electrical appliances inside the refrigerator/freezer unless it is advised by the manufacturer.
- Do not jam any parts of your hands or your body to the moving parts inside the product. Be careful to prevent jamming of your fingers between the refrigerator and its door. Be careful while opening or closing the door if there are children around.
- Do not put ice cream, ice cubes or frozen food to your mouth as soon as you take them out of the freezer. Risk of frostbite!

1.6 Operational Safety

- Do not ever use chemical solvents on the product. These materials contain an explosion risk.
- In case of a failure of the product, unplug it and do not operate until it is repaired by the authorized service. There is a risk of electric shock!

- Do not touch the inner walls, metal parts of the freezer or food kept inside the freezer with wet hands. Risk of frost-bite!
- Do not place soda cans or cans and bottles that contain fluids that may be frozen to the freezer compartment. Cans or bottles may explode. Risk of injury and material damage!
- Do not use or place materials sensitive against temperature such as flammable sprays, flammable objects, dry ice or other chemical agents in the vicinity of the refrigerator. Risk of fire and explosion!
- Do not store explosive materials such as aerosol cans with flammable materials inside the product.
- Do not place cans containing fluids over the product an open state. Splashing of water on an electrical part may cause an electric shock or a fire.
- Due to risk of breaking, do not store glass containers with liquid inside in the freezer compartment.
- This product is not intended for storage and cooling of medicines, blood plasma, laboratory preparations or similar materials and products that are subject to the Medical Products Directive.
- If the product is used against its intended purpose, it may cause damage to or deterioration of the products stored inside.
- If your refrigerator is equipped with blue light, do not look at this light with optical devices. Do not stare directly at UV LED light for a long time. Ultraviolet rays may cause eye strain.
- Do not fill the product with more contents than its capacity. Injuries or damages may occur if the contents of the refrigerator fall when the door is opened. Similar problems may also occur when an object is placed over the product.
- Ensure that you have removed any ice or water that may have fallen to the floor to prevent injuries.
- Change the locations of the racks/bottle racks on the door of your refrigerator only when the racks are empty. Danger of injury!
- Do not place objects that may fall/tip over on the product. These objects may fall while opening or closing the door and cause injuries and/or material damages.

- Do not hit or exert excessive pressure on glass surfaces. Broken glass may cause injuries and/or material damages.
- The cooling system in your product contains R600a refrigerant. The refrigerant type used in the product is specified in the type label. This gas is flammable. Therefore, be careful not to damage the cooling system and the pipes while operating the product. In case of damage to the pipes;
 1. Do not touch the product or the power cable.
 2. Keep the product away from potential sources of fire that may cause the product to catch fire.
 3. Ventilate the area where the product is placed. Do not use a fan.
 4. Contact Authorized Service. If the product is damaged and you observe gas leak, please stay away from the gas. Gas may cause frostbite if it contacts your skin. Before disposing of old products that shall not be used any more:
 1. Unplug the power cord from the mains socket.
 2. Cut the power cable and remove it from the appliance together with the plug.
- 3. Do not remove the racks and drawers from the product to prevent children from getting inside the appliance.
- 4. Remove the doors.
- 5. Store the product so that it shall not be tipped over.
- 6. Do not allow children to play with the scrapped product.
- Do not dispose of the product by throwing it into fire. Risk of explosion.
- If there is a lock available on the product's door, keep the key out of children's reach.

1.7 Food Storage Safety

Please pay attention to the following warnings to avoid food spoilage:

- Leaving the doors open for a long time may cause the temperature inside the product to rise.
- Regularly clean the accessible drainage systems in contact with food.
- Clean the water tanks that have not been used for 48 hours and mains-fed water systems that have not been used for more than 5 days.
- Store raw meat and fish products in appropriate compartments within the product.

Thus, it does not drip on or come into contact with other foods.

- Two-star freezer compartments are used for storing pre-filled foods, making and storing ice and ice cream.
- One, two and three-star compartments are not appropriate for freezing fresh food.
- If the cooling product has been left empty for a long time, turn off the product, defrost, clean, and dry the product in order to protect the housing of the product.

1.8 Maintenance and Cleaning Safety

- Unplug the refrigerator before cleaning it or starting to perform maintenance.
- Do not pull by the door handle if you shall move the product for cleaning purposes. Handle may cause injuries if it is pulled too hard.
- Do not put your hands etc. under the refrigerator. Jamming may occur or any sharp edge may cause personal injuries.
- Do not clean the product by spraying or pouring water on the product and inside the product. Risk of electric shock and fire.
- When cleaning the product, do not use sharp and abrasive tools or household cleaning agents, detergent, gas, gasoline, thinner, alcohol, varnish, and similar substances. Use only cleaning and maintenance agents that are not harmful for food inside the product.
- Do not ever use steam or steamed cleaning materials for cleaning the product and thawing the ice inside it. Steam contacts the live areas in your refrigerator and causes short circuit or electric shock.
- Do not use any mechanical tools or any other tools than the recommendations of the manufacturer to speed up the defrost operation.
- Take care to keep water away from the ventilation holes, electronic circuits or lighting of the product.
- Use a clean, dry cloth to wipe the dust or foreign material on the tips of the plugs. Do not use a wet or damp piece of cloth to clean the plug. Otherwise, risk of fire or electric shock may occur.

1.9 Disposal of the Old Product

When disposing of your old product follow the instructions below:

- To prevent children from accidentally locking themselves into the product, if there is door lock, disable it.
- Splash of coolant is harmful to the eyes. Do not damage any part of the cooling system while disposing of the product.

- It may be fatal if the compressor oil is swallowed or if it penetrates the respiratory tract.
- Cooling system of your product includes R600a gas as specified in the type label. This gas is flammable. Do not dispose of the product by throwing it into fire. Risk of explosion!
- C-Pentane is used as a blowing agent in insulation foam and it is a flammable substance. Do not dispose of the product by throwing it into fire.

2 Environmental Instructions

2.1 Compliance with the WEEE Directive and Disposing of the Waste Product



This product complies with EU WEEE Directive (2012/19/EU). This product bears a classification symbol for waste electrical and electronic equipment (WEEE).

This symbol indicates that this product shall not be disposed with other household wastes at the end of its service life. Used device must be returned to official collection point for recycling of electrical and electronic devices. To find these collection systems please contact to your local authorities or retailer where the product was purchased. Each household performs important role in recovering and recycling of old appliance. Appropriate disposal of used

appliance helps prevent potential negative consequences for the environment and human health.

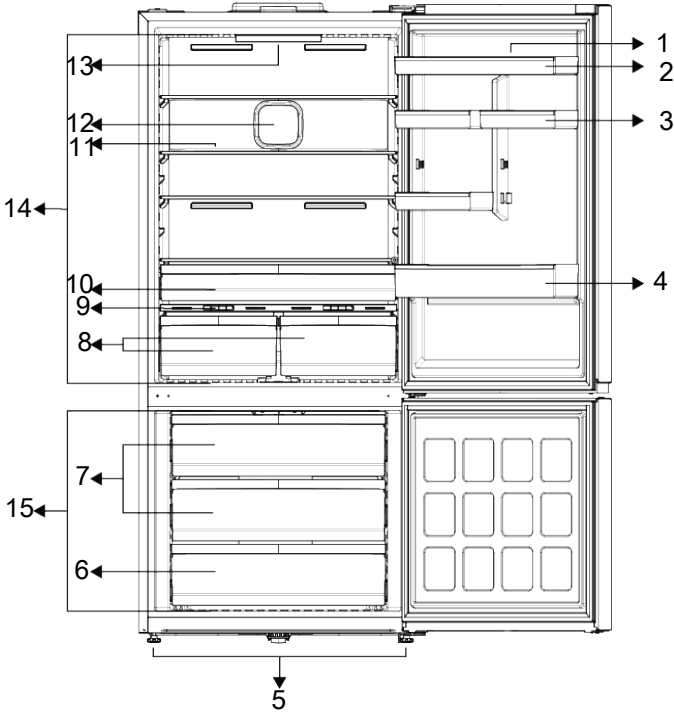
Compliance with RoHS Directive

The product you have purchased complies with EU RoHS Directive (2011/65/EU). It does not contain harmful and prohibited materials specified in the Directive.



Package information

Packaging materials of the product are manufactured from recyclable materials in accordance with our National Environment Regulations. Do not dispose of the packaging materials together with the domestic or other wastes. Take them to the packaging material collection points designated by the local authorities.



- | | |
|-------------------------------------|-------------------------------------|
| 1 Egg holder | 2 *Door Shelf |
| 3 *Adjustable Small Door Shelf | 4 *Bottle Shelf |
| 5 Adjustable legs | 6 *Freezer Compartment Small Drawer |
| 7 *Freezer Compartment Large Drawer | 8 *Vegetable Drawer |
| 9 Crisper Cover | 10 *Cold Storage Drawer |
| 11 *Adjustable Glass Shelf | 12 Fan |
| 13 Lighting | 14 Cooler Compartment |
| 15 Freezer Compartment | |

***Optional:** Figures in this user manual are schematic and may not exactly match your product. If your product does not comprise the relevant parts, the information pertains to other models.

4 Installation

Read the "Safety Instructions" section first!

4.1 Right Place For Installation

Contact the Authorized Service for the product's installation. To prepare the product for installation, see the information in the user manual and make sure the electric and water utilities are as required. If not, call an electrician and plumber to arrange the utilities as necessary.



WARNING:

The manufacturer assumes no responsibility for any damages caused by the work carried out by unauthorized persons.



WARNING:

The product's power cable must be unplugged during installation. Failure to do so may result in death or serious injuries!



WARNING:

If the door span is too narrow for the product to pass, remove the door and turn the product sideways; if this does not work, contact the authorized service.

- Place the product on a flat surface to avoid vibration.
- Place the product at least 30 cm away from the heater, stove and similar sources of heat and at least 5 cm away from electric ovens.
- Do not expose the product to direct sunlight or keep it in damp environments.
- Check if the rear wall clearance protection component is present at its location (if provided with the product).

4.2 Electrical Connection



Do not use extension cables or multi sockets in power connection.



Damaged power cable must be replaced by Authorized Service.

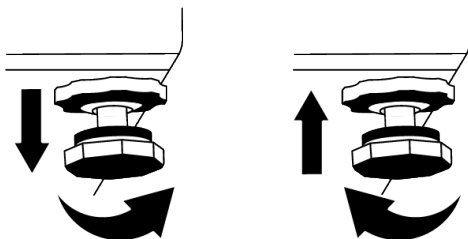


When placing two coolers in adjacent position, leave at least 4 cm distance between the two units.

- Our firm will not assume responsibility for any damages due to usage without earthing and without power connection in compliance with national regulations.
- The power cable plug must be easily accessible after installation.
- Do not use multi-group plug with or without extension cable between the wall socket and the refrigerator.

4.3 Adjusting the Legs

If the product is not in balanced position, adjust the front adjustable legs by rotating them to right or left.



4.4 Hot Surface Warning

The side walls of your product are equipped with cooler pipes to enhance the cooling system. High pressure fluid may flow through these surfaces, and cause hot surfaces on the side walls. This is normal and it does not require servicing. Be careful when you contact these areas.



Read the "Safety Instructions" section first!

5.1 What To Do For Energy Saving



Connecting the product to electronic energy-saving systems is harmful, as it may damage the product.

- This refrigerating appliance is not intended to be used as a built in appliance.
- Do not keep the refrigerator doors open for long periods.
- Do not place hot food or beverages into the refrigerator.
- Do not overfill the refrigerator; blocking the internal air flow will reduce cooling capacity.
- Since hot and humid air will not directly penetrate into your product when the doors are not opened, your product will optimize itself in conditions sufficient to protect your food. Under these circumstances, functions and components such as compressor, fan, heater, defrost, lighting, display and so on will operate according to the needs by consuming minimum energy.
- In case that multiple options are present, glass shelves must be placed so that the air outlets at the rear wall are not blocked and preferably, in a way that air outlets remain below the glass shelf. This combination may help improving air distribution and energy efficiency.
- Using the below drawer when storing is strongly recommended.
- Food shall be stored using the drawers in the cooler compartment in order to ensure energy saving and protect food in better conditions.

5.2 First Use

Before using your refrigerator, make sure the necessary preparations are made in line with the instructions in "Safety and Environmental Instructions" and "Installation" sections.

- Keep the product running without placing any food inside for 6 hours and do not open the door, unless absolutely necessary.
- The temperature change caused by opening and closing of the door while using the product may normally lead to condensation on door/body shelves and glassware placed in the product.



A sound will be heard when the compressor is engaged. It is normal for the product to make noise even if the compressor is not running, as fluid and gas may be compressed in the cooling system.



It is normal for the front edges of the refrigerator to be warm. These areas are designed to warm up in order to prevent condensation.



For some models, indicator panel turns off automatically 1 minute after the door closes. It will be reactivated when the door is opened or any button is pressed.

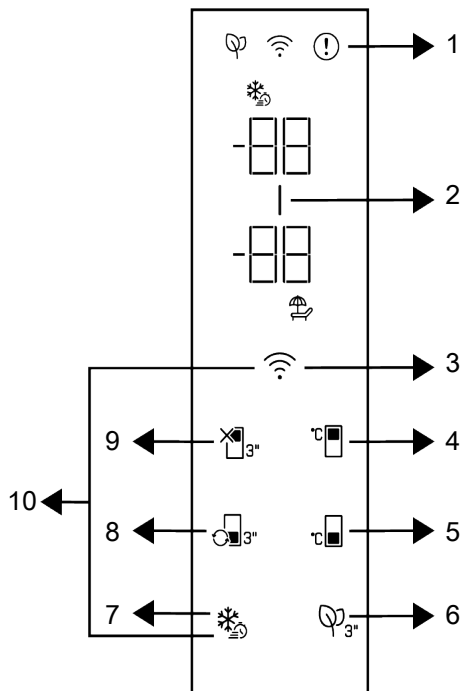
5.3 Climate Class and Definitions

Please refer to the Climate Class on the rating plate of your device. One of the following information is applicable to your device according to the Climate Class.

- **SN:** Long Term Temperate Climate: This cooling device is designed for use at ambient temperatures between 10 °C and 32 °C.

- **N:** Temperate Climate: This cooling device is designed for use at ambient temperatures between 16°C and 32°C.
- **ST:** Subtropical Climate: This cooling device is designed for use at ambient temperatures between 16°C and 38°C.
- **T:** Tropical Climate: This cooling device is designed for use at ambient temperatures between 16°C and 43°C.

6 Control Panel of the Product



1 * Error Status Indicator

3 *Wireless Key

5 * Freezer Compartment Temperature Setting Key

7 * Quick Freezing Key

9 * Cooler Compartment OFF (Vacation) Function

2 * Energy Saving (Display Off) Indicator

4 * Cooler Compartment Temperature Setting Key

6 * Deodoriser Module Key

8 *Compartment Conversion Key

10 *Key for Resetting Wireless Connection Settings



Read the "Safety Instructions" section first.

Auditory and visual functions on the indicator panel will assist you in using the refrigerator.

***Optional:** Shown functions are optional, there may be differences of shape and location in functions found on your appliance's indicator panel.

1. Error Condition Indicator

This indicator shall be active when your refrigerator cannot perform adequate cooling or in case of any sensor error. "E" will be displayed on the freezer compartment temperature indicator and figures such as 1,2,3... will be displayed on the cooler compartment temperature indicator. These figures on the indicator provide information to the authorized service about the error that has occurred. Exclamation mark may be displayed when you load warm food to the freezer compartment or keep the door open for a long period of time. This is not a fault, this warning shall be removed when the food is cooled down or when any key is pressed.

2. Energy Saving (Display Off) Indicator

Energy saving function is enabled automatically and the energy saving symbol lights up when the door of the product is not opened or closed for some period of time. When the energy saving function is active, all symbols on the display except the energy saving symbol shall be turned off. When the energy saving function is active, pressing any key or opening the door will deactivate the energy saving function and the display signals will return to normal. The energy saving function is a function activated ex-factory and cannot be cancelled.

3. Wireless Key

This key is utilized to connect wirelessly to your appliance through HomeWhiz mobile application. If the key is pressed for a long time (3 seconds), the wireless connection symbol on the display/indicator will blink slowly (in 0.5 second intervals). The home network is initialized on the product this way. After achieving wireless connection with the product, wireless connection symbol illuminates continuously. You may activate/deactivate the connection after the

first setting is completed by pressing this key. The wireless connection symbol will flash quickly (at 0.2 second intervals) until the connection is established. When the connection becomes active, wireless connection symbol flashes continuously. If the connection cannot be established for a long period, check your connection settings and refer to the "Troubleshooting" section provided in the user manual. Use HomeWhiz application for wireless connection. The installation steps are described on the application during installation. You may access the application by reading the QR code available on the HomeWhiz label on the product. The application can be obtained from App Store for IOS devices or from Play Store for Android devices. For details visit <https://www.homewhiz.com/> address.

4. Cooler Compartment Temperature

Setting Key

Allows setting of temperature for cooler compartment. Pressing the key will enable the cooler compartment temperature to be set at 8°C, 7°C, 6°C, 5°C, 4°C, 3°C, 2°C, and 1°C.

5. Freezer Compartment Temperature

Setting Key

Temperature setting is made for freezer compartment. Pressing the key will enable the freezer compartment temperature to be set at -18°C, -19°C, -20°C, -21°C, -22°C, -23°C, and -24°C.

6. Deodoriser Module Key

Press this key for 3 seconds to activate/deactivate the deodoriser feature. When the deodoriser feature is active, the deodoriser module icon is illuminated. When the feature is active, the deodoriser module will be operated periodically.

7. Quick Freezing Key

When the quick freezing key is pressed the quick freezing symbol shall be illuminated and the quick freezing function shall be activated. The freezer compartment temperature is set to -27°C. Press the key again to

cancel the function. The quick freezing function will be automatically cancelled after 24 hours. To freeze a large amount of fresh food, press the quick freezing key before placing the food in the freezer compartment.

8. Compartment Conversion Key

When the compartment conversion key is pressed for 3 seconds, the freezer compartment switches between cooler, off and freezer modes, respectively. When it is operated as cooler compartment, the compartment temperature is set as 4 °C. In OFF mode, compartment temperature indicator shall display "--".

9. Cooler Compartment Off (Vacation)

Function Key

Press the key for 3 seconds to activate the vacation function. Vacation mode is activated and the vacation symbol is illumin-

ated. "--" expression is displayed on the cooler compartment temperature indicator and the cooler compartment does not perform active cooling operation. It is not suitable to keep your food in the cooler compartment when this function is activated. The other compartments continue to cool according to temperatures set before. Press the key for 3 seconds again to cancel this function.

10. Key for Resetting Wireless Connection Settings

To reset wireless connection settings, Quick freezing and Wireless connection keys should be pressed simultaneously for 3 seconds. All user information recorded previously are removed on the product where wireless connection settings are reset/restored to factory defaults.

7 Using The Product



Read the "Safety Instructions" section first!

7.1 Storing Food in the Freezer and Cooler Compartment

Storing food in the freezer compartment

- You can activate Quick Freezing function 4-6 hours before freezing function and perform a faster cooling.
- Bring hot meals to the room temperature before placing them in the freezer compartment.
- Foods to be frozen must be divided into portions according to a size to be consumed, and frozen in separate packages.
- It is recommended to pack the foods before placing them in the freezer.
- In order to prevent expiration of storage time, write the freezing date, time and name of the product on the package according to the storage times of different foods.

- Consume the foods you have defrosted quickly. Defrosted foods cannot be frozen again unless they are cooked. It is not safe to consume the refrozen fresh foods without cooking after they are defrosted.
- As you freeze fresh foods, do not bring them in contact with already frozen foods. Otherwise, frozen foods will be defrosted.

Storing the foods, which are sold frozen

- Always follow the instructions of the producer in relation to the time during which you are required to store your foods. Do not exceed the time specified in these instructions!
- In order to protect the quality of the food, keep the time interval between purchasing transaction and storing as short as possible.
- Buy frozen food which are stored at -18 °C or lower temperatures.

- Avoid buying foods whose packages are covered with ice etc. This means that the product could be partially defrosted and refrozen. Temperature impacts the quality of the food.
- Do not exceed the storing time recommended by the food producer. Remove only the food as much as you need from the freezer.
- Except the cases where extreme circumstances are available in the environment, if your product (on the recommended set values table) is set to the specified set values, the food keep their freshness for a longer time both in the fresh product compartment and freezer compartment.
- If fresh food compartment is set to a lower temperature, fresh fruits and vegetables may be partially frozen.

Recommended set values table

Freezer Compartment Setting	Fridge Compartment Setting	Remarks
-20°C	4°C	This is the default, recommended setting.
-20°C or colder	2°C	Use these settings if you believe the cooler compartment is not cold enough due to ambient temperature or frequently opening the door.
Quick Freeze	4°C	Use when you want to freeze your food in a short time. When the process ends, the product's settings will return to previous position.

Quick freezing

1. Activate the quick freezing function 24 hours before placing your fresh foods.
2. After 24 hours after pressing the button, place your food that you want to freeze on the first drawer with higher freezing capacity.
3. The quick freezing function will be automatically deactivated after 48 hours.

Place the food you want to cool quickly on the fourth rack.

Freezer details

As per the IEC 62552 standards, the freezer must have the capacity to freeze 4,5 kg of food items at -18°C or lower temperatures at 25°C room temperature in 24 hours for each 100 litres of freezer compartment volume.

Food products can only be preserved for extended periods at or below temperature of -18 °C.

You can keep the foods fresh for months (in freezer at or below temperatures of -18 °C).

The food products to be frozen must not contact the already-frozen food inside to avoid partial defrosting.

Boil the vegetables and filter the water to extend the frozen storage time. Place the food in air-tight packages after filtering and place in the freezer. Bananas, tomatoes, lettuce, celery, boiled eggs, potatoes and similar food items should not be frozen. In case these foods are frozen, only nutritional values and eating qualities will be negatively affected. A rotting that would threaten human health is not in question.

Placing the food

Freezer compartment shelves: Different frozen foods like meat, fish, ice cream, vegetables etc.

Cooler compartment shelves: Food items inside pots, capped plate and capped cases, eggs (in closed case)

Cooler compartment door shelves: Small and packaged food or beverages

Crisper: Vegetables and fruits

Fresh food compartment: Delicatessen (breakfast food, meat products to be consumed in short time)

Storing food in the cooler compartment

- Compartment temperatures rise prominently if compartment door is opened and closed frequently and kept open for a long time, this can reduce the life span of the food and cause the food to spoil.
- In order not to cause odour and taste changes, the food should be stored in the closed containers.
- Do not store too much food in your refrigerator. To achieve a better and homogeneous cooling, place the food separately in a way that cold air can wander through them.
- Provide air flow by leaving a space between the food and internal wall. If you lean the food against the rear wall, the food may freeze.
- Bring cooked hot meals to the room temperature before placing them in the refrigerator. Then, you can place the tepid meal in the lower shelves of your refrigerator. Do not place the tepid meals close to the foods which may easily spoil.
- Defrost your frozen food in the fresh food compartment. Thereby, you can cool fresh food compartment by using frozen food and save energy.
- Storing unripe tropical fruits (mango, melon varieties, papaya, banana, pineapple) in the refrigerator may speed up the ripening process. This is not recommended because it will cause shorter storage time.
- You should store onions, garlics, gingers and other root vegetables in dark and cold room conditions, not in the refrigerator.
- If you notice that a food has spoiled in the refrigerator, throw away that food and clean the accessories which have come into contact with it.
- In order to cool the meals like soups and stews, which are cooked in the large pots, quickly, you can put them in the refrigerator by separating them into their own shallow containers.
- Do not place unpackaged food close to eggs.
- Keep the fruits and vegetables separately and store each variety together (for example; apples with apples, carrots with carrots).
- Take green vegetables out of the plastic bag and place them in the refrigerator after wrapping them in a paper towel or drying cloth. If you wash this type of food before placing them in the refrigerator, remember to dry them.
- You can both create a damp environment and provide an air flow by keeping fruits and vegetables, which are prone to drying, in the perforated or unsealed plastic bags.
- Except the cases where extreme circumstances are available in the environment, if your product (on the recommended set values table) is set to the specified set values, the food keep their freshness for a longer time both in the fresh product compartment and freezer compartment.

Store different food in different places according to their properties.

Food	Location
Egg	Door Shelf
Dairy products (butter, cheese)	If available, zero degree (for breakfast food) compartment
Fruits, vegetables and greenery	Fruit-vegetable compartment, crisper or EverFresh+ compartment (if available)
Fresh meat, poultry, fish, sausage etc. Cooked foods	If available, zero degree (for breakfast food) compartment
Ready to serve foods, packaged products, canned foods and pickles	Top shelves or door shelf
Beverages, bottles, spices and snacks	Door Shelf

7.2 Replacing the Illumination Lamp

Call the Authorized Service when the Bulb/LED used for lighting in your refrigerator will be replaced.

Lamp(s) used in this appliance cannot be used for house lighting. Intended use of this lamp is to help the user place food into the refrigerator / freezer safely and comfortably.

7.3 Door Open Alert

The door open alert system of your refrigerator may differ depending on the model.

Version 1;

If the door of the product remains open for a certain time (between 60 s and 120 s), an audio warning signal sounds; depending on the product model, a visual warning signal (light flash) can also be displayed. If you close the door of the device or press a button on the screen of the device, if any, the warning sound will stop.

Version 2;

If the door of the device remains open for a certain period of time (between 60 s and 120 s), the door open alert is sounded. The door open alert is sounded gradually. First, an audible warning starts to sound. After 4 minutes, if the door is still not closed, a visual warning (lighting flash) is activated. The door open alert will be delayed for a certain period of time (between 60 s and 120 s) when any key on the product screen, if any, is pressed. Then the process will start again. When the device door is closed, the door open alert will be cancelled.

7.4 Freezing Fresh Foods

It is recommended to place the food in the refrigerator by wrapping it or covering it.

Hot food should be cooled to room temperature before placing it in the refrigerator.

The food items you want to freeze must be of good quality and fresh.

Food items should be divided into portions according to the family's daily or meal portion requirements.

Even if the food items will be stored for a short time, they should be packed in an airtight manner to prevent them from drying out.

The materials used in packaging the food should be resistant to cold, moisture, tearing, odour, oil and acid and should be airtight.

In addition, it should properly cover it, and be of useful and deep material.

Frozen food items must be used immediately after defrosting and must not be frozen again.

To obtain the best result, apply the following instructions:

1. Do not freeze large amounts of food at the same time. The best possible way to preserve the quality of food is to freeze them deeply as quickly as possible.
2. When hot food is placed in the freezer compartment, the cooling system works continuously for a while to cool these foods until they are completely hardened.
3. Take special care not to mix frozen food with fresh food.

7.5 Reversing the Door Opening Side

The door opening side of your refrigerator can be reversed according to the place you put it. When you need this, you should definitely call the nearest Authorized Service.

8 Product Features

8.1 Crisper Technologies

Blue Light

Fruits and vegetables stored in the crispers that are illuminated with a blue light continue their photosynthesis by means of the wavelength effect of blue light and thus preserve their vitamin content.

VitaminZone

Fruits and vegetables stored in crispers illuminated with the VitaminZone technology preserve their vitamins for a longer time thanks to the blue, green, red lights and dark cycles, which simulate a day cycle.

When the door of your refrigerator is opened during the dark period of the VitaminZone technology, your refrigerator shall sense this automatically and illuminate the crisper with one of the blue, green or red lights respectively for your convenience. After you have closed the door of the refrigerator, the dark period will continue, representing the night time in a day cycle.

8.2 Dairy Products Cold Storage Area

Cold Storage Drawer

The Cold Storage Drawer can reach lower temperatures in the cooler compartment. Use this drawer for delicatessen products (salami, sausage, etc.) and dairy products that require colder storage conditions, or for meat, chicken or fish to be consumed quickly. It is not suitable to store fruits and vegetables in this drawer.

8.3 The ice storage area

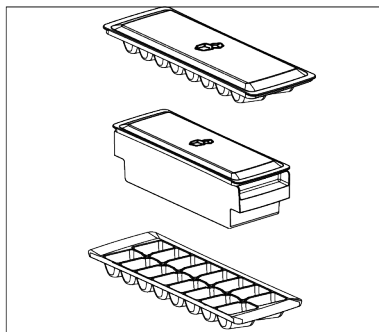
Ice Container

Ice bucket allows you take ice easily from the refrigerator.

Using the ice bucket

1. Take the ice bucket out of the freezer compartment.
2. Fill the ice bucket with water.

3. Place the ice bucket into the freezer compartment. The ice will be ready after approximately two hours.
4. Take the ice bucket from the freezer compartment and bend in slightly over the holder that you are going to serve. Ice will easily pour into the serving holder.



8.4 Egg holder

You can place the egg holder on the door or body shelf you wish.

If the egg holder is to be placed on the body shelf, we recommend you to choose colder lower shelves.



Never place the egg holder on the freezer compartment

8.5 AeroFresh

It is an air distribution system that provides homogeneous temperature distribution. With the air circulation, the homogeneous temperature distribution is ensured in the fresh food storage compartment, and the temperature fluctuations are kept at low levels. No direct air blowing over the food is realized and this helps to reduce moisture loss. It preserves the freshness of the food stored in the fresh food compartment of the refrigerator. In this way, your food is stored at more stable temperatures and the contact with air is reduced. The drying and

shrinking of foods by losing moisture is prevented and freshness is provided for a longer time.

8.6 Humidity Controlled Crisper

Full fresh

With the humidity controlled crisper, you can store vegetables and fruits for a longer period at an environment with ideal humidity conditions.

With the humidity setting system with 3 options in front of your crisper, you may control the humidity inside the compartment as per the food you store. We recommend you to store your food by selecting vegetable option when you store vegetables only, fruit option when you store fruit only and mixed option when you store mixed food.

We recommend that the vegetables and fruits shall not be stored in bags to improve the storage period of the food and to better

benefit from the humidity control system. Leaving them in plastic bags causes vegetables to rot in a short time. We recommend that cucumbers and broccolis, in particular, are not stored in closed bags. In situations where contact with other vegetables is not preferred, use packaging materials such as paper that has a certain level of porosity in terms of hygiene.

When placing the vegetables, place heavy and hard vegetables at the bottom and light and soft ones on the top, taking into account the specific weights of vegetables.

Do not put fruits that have a high ethylene gas production such as pear, apricot, peach and particularly apple in the same crisper with other vegetables and fruits. The ethylene gas coming out of these fruits might cause other vegetables and fruits to mature faster and rot in a shorter period of time.

9 Maintenance and Cleaning



WARNING:

Read the "Safety Instructions" section first.



WARNING:

Unplug the refrigerator before cleaning it.

- Do not use sharp or abrasive tools to clean the product. Do not use materials such as household cleaning agents, soap, detergents, gas, gasoline, thinner, alcohol, wax, etc.
- The dust shall be removed from the ventilation grill on the rear of the product at least once a year (without opening the cover). Clean the product with a dry cloth.
- Take care to keep water away from the lamp's cover and other electrical parts.
- Clean the door with a damp cloth. Remove all contents to remove the door and body racks. Remove the door racks by lifting them upwards. Clean and dry the shelves, then attach back in place by sliding from above.
- Do not use chlorinated water or cleaning products on the exterior surface and chrome-coated parts of the product. Chlorine will cause rust on such metallic surfaces.
- Do not use sharp and abrasive tools, soap, house cleaning materials, detergents, gas, gasoline, varnish and similar substances to prevent deformation of the plastic part and removal of prints on the part. Use warm water and a soft cloth for cleaning, and then dry it.
- On the products without a No-Frost feature, water droplets and icing up to a thickness of a finger may occur on the rear wall of the freezer compartment. Do not clean, and never apply oils or similar materials.
- Use a mildly dampened micro-fibre cloth to clean the external surface of the product. Sponges and other types of cleaning clothes may cause scratches.
- To clean all removable components during the cleaning of the interior surface of the product, wash these components

with a mild solution consisting of soap, water and carbonate. Wash and dry thoroughly. Prevent contact of water with illumination components and the control panel.



CAUTION:

Do not use vinegar, rubbing alcohol or other alcohol based cleaning agents on any interior surface.

Stainless Steel External Surfaces

Use a non-abrasive stainless steel cleaning agent and apply it with a soft lint-free cloth. To polish, gently wipe the surface with a micro-fibre cloth dampened with water and use dry polishing chamois. Always follow the veins of the stainless steel.

10 Troubleshooting

Check this list before contacting the service. Doing so will save you time and money. This list includes frequent complaints that are not related to faulty workmanship or materials. Certain features mentioned herein may not apply to your product.

The refrigerator is not working.

- The power plug is not fully settled. >>> Plug it in to settle completely into the socket.
- The fuse connected to the socket powering the product or the main fuse is blown. >>> Check the fuse.

Condensation on the side wall of the cooler compartment (MULTI ZONE, COOL CONTROL and FLEXI ZONE).

- The door is opened too frequently. >>> Take care not to open the product's door too frequently.
- The environment is too humid. >>> Do not install the product in humid environments.
- Foods containing liquids are kept in unsealed holders. >>> Keep the foods containing liquids in sealed holders.

Preventing Odours

The product is manufactured free of any odorous materials. However, keeping the food in inappropriate sections and improper cleaning of internal surfaces may lead to odours.

- To avoid this, clean the inside with carbonated water every 15 days.
- Keep the foods in sealed holders, as micro-organisms arising from foods kept in unsealed containers will cause bad odour.
- Do not keep expired and spoilt foods in the refrigerator.

Protecting Plastic Surfaces

Oil spilled on plastic surfaces may damage the surface and must be cleaned immediately with warm water.

- The product's door is left open. >>> Do not keep the product's door open for long periods.
- The thermostat is set to a very cool temperature. >>> Set the thermostat to an appropriate temperature.

Compressor is not working.

- In case of sudden power failure or pulling the power plug off and putting back on, the gas pressure in the product's cooling system is not balanced, which triggers the compressor thermic safeguard. The product will restart after approximately 6 minutes. If the product does not restart after this period, contact the service.
- Defrosting is active. >>> This is normal for a fully-automatic defrosting product. The defrosting is carried out periodically.
- The product is not plugged in. >>> Make sure the power cord is plugged in.
- The temperature setting is incorrect. >>> Select the appropriate temperature setting.
- The power is out. >>> The product will continue to operate normally once the power is restored.

The refrigerator's operating noise is increasing while in use.

- The product's operating performance may vary depending on the ambient temperature variations. This is normal and not a malfunction.

The refrigerator runs too often or for too long.

- The new product may be larger than the previous one. Larger products will run for longer periods.
- The room temperature may be high. >>> The product will normally run for long periods in higher room temperature.
- The product may have been recently plugged in or a new food item is placed inside. >>> The product will take longer to reach the set temperature when recently plugged in or a new food item is placed inside. This is normal.
- Large quantities of hot food may have been recently placed into the product. >>> Do not place hot food into the product.
- The doors were opened frequently or kept open for long periods. >>> The warm air moving inside will cause the product to run longer. Do not open the doors too frequently.
- The freezer or cooler door may be ajar. >>> Check that the doors are fully closed.
- The product may be set to a temperature that is too low. >>> Set the temperature to a higher degree and wait for the product to reach the adjusted temperature.
- The cooler or freezer door washer may be dirty, worn out, broken or not properly settled. >>> Clean or replace the gasket. Damaged / torn door washer will cause the product to run for longer periods to preserve the current temperature.

The freezer temperature is very low, but the cooler temperature is adequate.

- The freezer compartment temperature is set to a very low degree. >>> Set the freezer compartment temperature to a higher degree and check again.

The cooler temperature is very low, but the freezer temperature is adequate.

- The cooler compartment temperature is set to a very low degree. >>> Set the cooler compartment temperature to a higher degree and check again.

The food items kept in cooler compartment drawers are frozen.

- The cooler compartment temperature is set to a very low degree. >>> Set the cooler compartment temperature to a higher degree and check again.

The temperature in the cooler or the freezer is too high.

- The cooler compartment temperature is set to a very high degree. >>> Temperature setting of the cooler compartment has an effect on the temperature in the freezer compartment. Wait until the temperature of relevant parts reach the sufficient level by changing the temperature of cooler or freezer compartments.
- The doors were opened frequently or kept open for long periods. >>> Do not open the doors too frequently.
- The door may be ajar. >>> Fully close the door.
- The product may have been recently plugged in or a new food item is placed inside. >>> This is normal. The product will take longer to reach the set temperature when recently plugged in or a new food item is placed inside.
- Large quantities of hot food may have been recently placed into the product. >>> Do not place hot food into the product.

Shaking or noise.

- The surface is not flat or durable >>> If the product is shaking when moved slowly, adjust the stands to balance the product. Also make sure the ground is sufficiently durable to bear the product.
- Any items placed on the product may cause noise. >>> Remove any items placed on the product.
- The product is making noise of liquid flowing, spraying etc.

- The product's operating principles involve liquid and gas flows. >>> This is normal and not a malfunction.

There is sound of wind blowing coming from the product.

- The product uses a fan for the cooling process. This is normal and not a malfunction.

There is condensation on the product's internal walls.

- Hot or humid weather will increase icing and condensation. This is normal and not a malfunction.
- The doors were opened frequently or kept open for long periods. >>> Do not open the doors too frequently; if open, close the door.
- The door may be ajar. >>> Fully close the door.

There is condensation on the product's exterior or between the doors.

- The ambient weather may be humid, this is quite normal in humid weather. >>> The condensation will dissipate when the humidity is reduced.

The interior smells bad.

- The product is not cleaned regularly. >>> Clean the interior regularly using sponge, warm water and carbonated water.
- Certain holders and packaging materials may cause odour. >>> Use holders and packaging materials without free of odour.

- The foods were placed in unsealed holders. >>> Keep the foods in sealed holders. Microorganisms may spread out of unsealed food items and cause bad odour.
- Remove any expired or spoiled foods from the product.

The door is not closing.

- Food packages may be blocking the door. >>> Relocate any items blocking the doors.
- The product is not standing in full upright position on the ground. >>> Adjust the stands to balance the product.
- The surface is not flat or durable >>> Make sure the surface is flat and sufficiently durable to bear the product.

The crisper is jammed.

- The food items may be in contact with the upper section of the drawer. >>> Reorganize the food items in the drawer.

Temperature on the product surface.

- High temperature may be observed between two doors, on the side panels and on the rear grill area while your product is operated. This is normal and it does not require servicing.

Fan continues to operate when the door is opened.

- Fan may continue to operate when the freezer door is open.



WARNING: If the problem persists after following the instructions in this section, contact your vendor or an Authorized Service. Do not try to repair the product. This is normal.

DISCLAIMER / WARNING

Some (simple) failures can be adequately handled by the end-user without any safety issue or unsafe use arising, provided that they are carried out within the limits and in accordance with the following instructions (see the "Self-Repair" section).

Therefore, unless otherwise authorized in the "Self-Repair" section below, repairs shall be addressed to registered profes-

sional repairers in order to avoid safety issues. A registered Professional repairer is a professional repairer that has been granted access to the instructions and spare parts list of this product by the manufacturer according to the methods described in legislative acts pursuant to Directive 2009/125/EC.

However, only the service agent (i.e. authorized professional repairers) that you can reach through the phone number given in the user manual/warranty card or through your authorized dealer may provide service under the guarantee terms. Therefore, please be advised that repairs by professional repairers (who are not authorized by) Grundig shall void the guarantee.

Self-Repair

Self-repair can be done by the end-user with regard to the following spare parts: door handles, door hinges, trays, baskets and door gaskets (an updated list is also available support.grundig.com as of 1st March 2021).

Moreover, to ensure product safety and to prevent risk of serious injury, the mentioned self-repair shall be done following the instructions in the user manual for selfrepair or which are available in support.grundig.com . For your safety, unplug the product before attempting any self-repair.

Repair and repair attempts by end-users for parts not included in such list and/or not following the instructions in the user manuals for self-repair or which are available in support.grundig.com, might give raise to safety issues not attributable to Grundig, and will void the warranty of the product. Therefore, it is highly recommended that end-users refrain from the attempt to carry out repairs falling outside the mentioned list of spare parts, contacting in such cases authorized professional repairers or registered professional repairers. On the contrary, such attempts by end-users may cause safety issues and damage the product and subsequently cause fire, flood, electrocution and serious personal injury to occur.

By way of example, but not limited to, the following repairs must be addressed to authorized professional repairers or registered professional repairers: compressor, cooling circuit, main board, inverter board, display board, etc.

The manufacturer/seller cannot be held liable in any case where end-users do not comply with the above.

The spare part availability of the refrigerator that you purchased is 10 years. During this period, original spare parts will be available to operate the refrigerator properly. The minimum duration of guarantee of the refrigerator that you purchased is 24 months.

This product is equipped with a lighting source of the "G" energy class.

The lighting source in this product shall only be replaced by Professional repairer.

Vă rugăm ca mai întâi să citiți acest manual!

Stimate client/ă

Vă rugăm să citiți acest manual înainte de a utiliza produsul.

Vă mulțumim că ați ales acest Grundig produs. Am dori să obțineți eficiența optimă din acest produs de înaltă calitate care a fost fabricat cu tehnologie de ultimă generație. Pentru a face acest lucru, citiți cu atenție acest manual și orice alte documente furnizate, înainte de a utiliza produsul și păstrați-l ca referință.

Respectați toate informațiile și avertismentele din manualul de utilizare. În acest fel, vă veți proteja pe dumneavoastră și produsul dumneavoastră împotriva pericolelor care pot apărea.

Păstrați manualul de utilizare. Includeți acest manual împreună cu unitatea dacă o predați altcuiva.

Următoarele simboluri sunt utilizate în manualul de utilizare:



Pericol care poate duce la deces sau vătămare.



Informații importante sau sfaturi utile privind funcționarea.



Citiți manualul de utilizare.



Material combustibil, avertizare împotriva pericolului de incendiu.

NOTIFICARE Un pericol care poate provoca daune materiale produsului sau mediului înconjurător

		<p>Informațiile despre model, așa cum sunt stocate în baza de date despre produse, pot fi accesate pe următorul site web căutând identificatorul de model (*) aflat pe eticheta energetică.</p> <p>https://eprel.ec.europa.eu/</p>
SUPPLIER'S NAME	MODEL IDENTIFIER → (*)	
		

1 Instrucțiuni de siguranța	30	8.3 Zona de depozitare a gheții.....	50
1.1 Utilizare destinată.....	30	8.4 Suportul pentru ouă	51
1.2 Siguranța copiilor, a persoanelor vulnerabile și a animalelor de companie	30	8.5 AeroFresh	51
1.3 Siguranța electrică	31	8.6 Sertar legume fructe cu control al umidității.....	51
1.4 Manevrarea în siguranță	32	9 Întreținerea și curățarea	52
1.5 Siguranța instalației	32	10 Depanare	53
1.6 Siguranța funcțională	35		
1.7 Siguranța depozitării alimentelor ..	37		
1.8 Siguranța legată de întreținere și curățare	38		
1.9 Eliminarea produselor vechi	38		
2 Instrucțiuni privind mediul	39		
2.1 Conformitatea cu Directiva DEEE și eliminarea deșeurilor	39		
3 Frigiderul dumneavoastră.....	40		
4 Instalae	40		
4.1 Locul potrivit pentru instalare.....	41		
4.2 Conexiunea electrică.....	41		
4.3 Ajustarea picioarelor frontale.....	41		
4.4 Avertisment de suprafață fierbinte	41		
5 Pregătirea	42		
5.1 Modalități de reducere a consumului de energie electrică ..	42		
5.2 Prima utilizare.....	42		
5.3 Clasa climatică și definiții.....	43		
6 Panoul de control al produsului ..	44		
7 Utilizarea produsului	46		
7.1 Păstrarea alimentelor în compartimentul congelator și frigider	46		
7.2 Înlocuirea lămpii de iluminat	49		
7.3 Alertă ușă deschisă.....	49		
7.4 Congelarea alimentelor proaspete	49		
7.5 Schimbarea sensului de deschidere a ușii.....	50		
8 Caracteristicile produsului.....	50		
8.1 Tehnologii sertar legume și fructe	50		
8.2 Zona de depozitare la rece a produselor lactate	50		



1 Instrucțiuni de siguranța

Această secțiune include instrucțiunile de siguranță necesare pentru a preveni riscul de vătămare corporală sau daunele materiale.

Compania noastră nu răspunde de daunele care pot să apară dacă aceste instrucțiuni nu sunt respectate.

Operațiunile de instalare și reparare trebuie să fie realizate întotdeauna de către un service autorizat.

Utilizați doar piese de schimb și accesorii originale.

Piese de schimb originale pentru 10 ani, după data de achiziție a produsului.

Nu reparați și nu înlocuiți nicio componentă a produsului, cu excepția cazului în care este specificat în mod expres în manualul de utilizare.

Nu efectuați nicio modificare asupra produsului.



1.1 Utilizare destinată

Acest produs nu este adecvat pentru uzul comercial și nu trebuie utilizat altfel decât pentru utilizarea prevăzută.

Acest produs este conceput pentru a fi utilizat în spații interioare, casă și în locuri similare.

De exemplu:

- În bucătăriile pentru personal ale magazinelor, birourilor și în alte medii de lucru,
- În ferme,
- În unitățile hotelurilor, motelurilor sau în alte facilități de cazare care sunt folosite de către clienți,
- În hosteluri sau alte medii similare,
- Pentru servicii de catering și alte aplicații non-retail similare.

Acest produs nu trebuie să fie folosit în medii deschise sau externe închise, precum nave, balcoane sau terase. Expunerea produsului la ploaie, zăpadă, lumina soarelui și vânt poate cauza un risc de incendiu.

1.2 Siguranța copiilor, a persoanelor vulnerabile și a animalelor de companie



- Acest produs poate să fie folosit de către copiii în vârstă de cel puțin 8 ani și de către persoanele cu capacități fizice, senzoriale sau mentale subdezvoltate sau lipsite de experiență și cunoștințe numai dacă sunt supravegheate sau

au fost instruite cu privire la folosirea aparatului într-un mod sigur pentru produs și în legătură cu pericolele asociate.

- Copiii cu vârste între 3 și 8 ani pot să scoată și să introducă produse din/în frigider.
- Copiii și animalele de companie nu trebuie să se joace cu, să se urce pe produs sau să intre în produs.
- Copiii și animalele de companie trebuie îndepărtate de zona cabinei (compresor) în care se află componentele electrice.
- Curățarea și întreținerea de către utilizator nu trebuie efectuate de către copii, cu excepția cazului în care există cineva care îi supraveghează.
- Țineți ambalajele departe de copii. Risc de vătămare și sufocare.

1.3 Siguranța electrică

- Produsul nu trebuie conectat la priză în timpul operațiunilor de instalare, întreținere, curățare, reparare și transport.
- În cazul în care cablul de alimentare este deteriorat, acesta trebuie să fie înlocuit numai de către un service autorizat, pentru a elimina riscurile care pot să apară.
- Nu strângeți cablul de alimentare sub produs sau în spatele produsului. Nu puneți obiecte grele pe cablul de alimentare. Cablul de alimentare nu trebuie îndoit, strivit și nu trebuie să intre în contact cu nicio sursă de căldură.
- Nu folosiți un prelungitor, un triplu ștecăr sau un adaptor pentru a utiliza produsul.
- Ștecherele multiple portabile sau sursele de alimentare portabile se pot supraîncălzi, cauzând un incendiu. De aceea, nu poziționați un ștecăr multiplu în spatele sau în apropierea produsului.
- Nu conectați cablul de alimentare al produsului la o priză electrică slăbită sau deteriorată. Aceste tipuri de conexiuni se pot supraîncălzi și pot provoca incendii.
- Priza trebuie să fie ușor accesibilă. Dacă acest lucru nu este posibil, un mecanism ce respectă legislația în domeniul electricității și care deconectează toate conexiunile de la rețeaua de alimentare (siguranță, comutator, comutator principal etc.) trebuie să existe în instalația electrică.

- Produsul nu trebuie să funcționeze cu un dispozitiv de comutare extern, cum ar fi un temporizator sau un sistem controlat de la distanță.
- Nu utilizați produsul atunci când aveți picioarele goale sau când sunteți ud pe corp.
- Nu atingeți priza cu mâinile ude.
- Atunci când decuplați aparatul, nu țineți de cablul de alimentare, ci de ștecher.

1.4 Manevrarea în siguranță

- Asigurați-vă că scoateți aparatul din priză înainte de a transporta produsul.
- Acest produs este greu; nu îl manevrați singuri. Vă puteți accidenta dacă produsul cade peste dumneavoastră. Nu loviți și nu scăpați produsul în timp ce îl transportați.
- Închideți întotdeauna ușile și nu țineți produsul de uși atunci când îl transportați.
- În timp ce manevrați produsul, aveți grijă să nu deteriorați sistemul de răcire și țevile. Nu folosiți produsul dacă țevile sunt deteriorate; contactați un service autorizat.

1.5 Siguranța instalației

- Pentru instalarea produsului, contactați un service autorizat. Pentru a pregăti produsul pentru utilizare, consultați informațiile din manualul de utilizare și asigurați-vă că racordarea la utilitățile de apă și electricitate este conformă. Dacă nu este conformă, contactați un electrician și un instalator calificat. În caz contrar pot interveni situații de electrocutare, incendiu, probleme cu produsul sau vătămări.
- Produsul este conceput pentru a fi utilizat la o altitudine de maxim 2000 de metri deasupra nivelului mării.
- Nu permiteți accesul copiilor în zona de instalare.
- Verificați eventualele deteriorări ale produsului înainte de instalare. Înainte de a instala produsul, verificați dacă este deteriorat.
- Folosiți întotdeauna echipament de protecție personală (mănuși etc.) în timpul instalării, întreținerii și reparării produsului. Risc de accidentare!
- Așezați produsul pe o suprafață curată, plană și dură și echilibrați-l cu ajutorul

picioarelor reglabile (prin răsucirea picioarelor din față spre dreapta sau spre stânga). În caz contrar, frigiderul poate să se răstoarne și să cauzeze vătămări.

- Produsul trebuie să fie instalat într-un loc uscat și bine ventilat. Sub produs, nu trebuie să existe mochete, covoare sau alte articole de acoperit. Din cauza ventilării insuficiente, acestea pot să cauzeze un incendiu!
- Nu blocați și nu acoperiți orificiile de ventilare. În caz contrar, consumul de energie crește și produsul poate fi deteriorat.
- Când amplasați produsul, asigurați-vă că cablul de alimentare nu este deteriorat sau ciupit.
- Produsul nu trebuie să fie conectat la sisteme de alimentare și la surse de alimentare care pot provoca schimbări bruște de tensiune (de exemplu, o sursă de energie solară portabilă). În caz contrar, produsul poate să fie deteriorat din cauza fluctuațiilor bruște de tensiune!
- Cu cât mai mult agent frigorific conține un frigider, cu atât mai mare trebuie să fie camera în care se află. În camerele foarte mici, poate să apară un amestec de aer și gaz inflamabil în cazul unei scurgeri de gaz din sistemul de răcire. Un volum de cel puțin 1 m³ este necesar pentru fiecare 8 grame de agent frigorific. Cantitatea disponibilă în produsul dumneavoastră este specificată în eticheta de tip.
- Produsul nu trebuie niciodată poziționat în așa fel încât cablurile de alimentare, furtunul metalic al aragazului, conductele metalice de gaz sau de apă să intre în contact cu peretele din spate al produsului (sau cu condensatorul).
- Locul de instalare a produsului nu trebuie expus la lumina directă a soarelui și nu trebuie să se afle în apropierea unei surse de căldură, cum ar fi soba, caloriferul etc. Dacă nu aveți altă posibilitate decât să instalați produsul în apropierea unei surse de căldură, trebuie să utilizați o placă izolatoare adecvată, iar distanța minimă până la sursa de căldură este cea specificată mai jos:
 - Cel puțin 30 cm de sursele de căldură precum sobe, unități de încălzire și radiatoare etc.,

- Și cel puțin 5 cm de cuptoarele electrice.
- Produsul dumneavoastră are clasa de protecție I.
- Racordați produsul la o priză legată la pământ ce respectă valorile de tensiune, intensitate și frecvență specificate în eticheta de tip. Priza trebuie să aibă o siguranță de 10A – 16A. Compania noastră nu își va asuma responsabilitatea pentru daunele cauzate de utilizarea fără împământare și fără conectarea la rețeaua electrică în conformitate cu reglementările locale și naționale.
- Cablul de alimentare al produsului trebuie să fie scos din priză în timpul instalării. În caz contrar, pot să apară riscuri de electrocutare și vătămare!
- Nu conectați cablul de alimentare al produsului în prize de curent slăbite, dislocate, rupte, murdare, uleioase, sau care prezintă riscul de contact cu apa. Aceste tipuri de conexiuni pot provoca supraîncălzire și incendii.
- Amplasați cablul de alimentare și furtunurile produsului (dacă există) astfel încât să nu producă un risc de împiedicare.
- Pătrunderea umidității și a lichidelor în piesele sub tensiune sau în cablul de alimentare poate să cauzeze un scurtcircuit. De aceea, nu folosiți produsul în medii umede sau în zone în care apa poate să fie împrăscată (de exemplu, garaj, spălătorie etc.). Dacă frigiderul este udat cu apă, scoateți-l din priză și contactați un service autorizat.
- Nu racordați niciodată frigiderul la dispozitive de economisire a energiei. Aceste sisteme sunt dăunătoare pentru produs.
- Atunci când se îndepărtează capacul plăcii electronice și capacul din spate al compresorului (dacă este montat) există riscul de contact cu piesele electrice. Nu îndepărtați capacul plăcii electronice și capacul din spate al compresorului (dacă este montat). Este un risc de electrocutare!



1.6 Siguranța funcțională

- Nu folosiți niciodată solvenți chimici pe produs. Aceste materiale prezintă un risc de explozie.
- În cazul defectării produsului, scoateți-l din priză și nu îl utilizați până când nu este reparat la un service autorizat. Risc de electrocutare!
- Nu așezați o sursă de flacără (de exemplu, lumânări, țigări etc.) pe produs sau în apropierea acestuia.
- Nu vă urcați pe produs. Risc de cădere și vătămare!
- Nu produceți stricăciuni țevilor sistemului de răcire folosind instrumente ascuțite și tăioase. Agentul frigorific care se împrăștie în caz de perforare a conductelor de gaz, a extensiilor de conducte sau a straturilor de acoperire a suprafeței superioare poate provoca iritația pielii și vătămarea ochilor.
- Nu introduceți și nu utilizați aparate electrice în interiorul frigiderelor/congelatoarelor decât la recomandarea producătorului.
- Aveți grijă să nu vă prindeți mâinile sau alte membre în piesele în mișcare din interiorul produsului. Aveți grijă să nu vă prindeți degetele între frigider și ușa sa. Dacă un copil se află în apropiere, aveți grijă atunci când deschideți sau închideți ușa.
- Nu introduceți în gură înghețată, cuburi de gheață sau alimentate congelate imediat după ce le-ați scos din congelator. Risc de degerături!
- Nu atingeți cu mâinile ude pereții interiori, piesele din metal ale congelatorului sau alimentele din interiorul congelatorului. Risc de degerături!
- Nu introduceți cutii cu sucuri acidulate sau cutii și sticle ce conțin lichide care pot să fie congelate în compartimentul de congelare. Cutiile sau sticlele pot să explodeze. Risc de vătămare și daune materiale!
- Nu folosiți și nu amplasați materiale sensibile la temperatură, precum sprayuri inflamabile, obiecte inflamabile, zăpadă carbonică sau alți agenți chimici, în apropierea instalației frigorifice. Risc de incendiu și explozie!

- Nu depozitați materiale explozibile, precum cutiile cu aerosoli cu materiale inflamabile, în interiorul produsului.
- Nu așezați cutii de conserve care conțin lichide pe produs atunci când acesta este deschis. Stropirea cu apă a pieselor electrice poate să ducă la electrocutare sau incendii.
- Datorită riscului de spargere, nu depozitați recipiente din sticlă cu lichid în interior în compartimentul congelator.
- Acest produs nu este destinat depozitării și răcirii medicamentelor, plasmei din sânge, preparatelor de laborator sau a altor materiale și produse similare care fac obiectul Directivei privind produsele medicale.
- Dacă produsul nu este folosit conform scopului destinat, poate să producă daune sau deteriorarea produselor păstrate în interiorul său.
- Dacă frigiderul este prevăzut cu lumină albastră, nu priviți această lumină cu dispozitive optice. Nu priviți direct spre ledul UV pentru o perioadă lungă de timp. Razele ultraviolete pot să afecteze ochii.
- Conținutul din interiorul produsului nu trebuie să depășească volumul recomandat. Pot să apară vătămări sau daune în cazul în care conținutul frigiderului cade atunci când ușa este deschisă. Probleme similare pot să apară de asemenea atunci când un obiect este așezat pe produs.
- Asigurați-vă că ați îndepărtat gheața sau apa care este posibil să fi căzut pe podea pentru a preveni vătămarile.
- Schimbați poziția rafturilor/ rafurilor pentru sticle de pe ușa frigiderului numai atunci când acestea sunt goale. Pericol de accidentare!
- Nu așezați obiecte care pot să cadă/să se răstoarne pe produs. Aceste obiecte pot să cadă atunci când deschideți sau închideți ușa și să cauzeze vătămări și/sau daune materiale.
- Nu loviți și nu exercitați o presiune excesivă pe suprafețele din sticlă. Sticla spartă poate să cauzeze răniri și/sau daune materiale.
- Sistemul de răcire din produsul nostru conține agent frigorific R600a. Tipul agentului frigorific folosit în produs este indicat în eticheta de tip. Acest

gaz este inflamabil. De aceea, aveți grijă să nu deteriorați sistemul de răcire și țevile în timp ce utilizați produsul. În caz de deteriorare a țevilor:

1. Nu atingeți produsul sau cablul de alimentare.
2. Țineți produsul la distanță de potențialele surse de incendiu care pot să ducă la incendierea sa.
3. Ventilați zona în care se află produsul. Nu folosiți un ventilator.
4. Contactați un service autorizat.

Dacă produsul este deteriorat și observați o scurgere de gaze, păstrați distanța față de gaz. Dacă intră în contact cu pielea, acesta poate să cauzeze degerături.

Înainte de a elimina produsele vechi ce nu mai sunt folosite:

1. Scoateți ștecherul cablului de alimentare din priza de perete.
2. Tăiați cablul de alimentare și îndepărtați-l de aparat, împreună cu ștecărul.
3. Nu scoateți rafturile și sertarele din produs pentru a nu le permite copiilor să intre în acesta.
4. Scoateți ușile.

5. Depozitați produsul astfel încât să nu poată să se răstoarne.

6. Nu permiteți copiilor să se joace cu produsul casat.
 - Nu eliminați produsul aruncându-l pe foc. Risc de explozie.
 - Dacă există o încuietoare pe ușa produsului, nu lăsați cheia la îndemâna copiilor.



1.7 Siguranța depozitării alimentelor

Vă rugăm să acordați atenție următoarelor avertismente pentru a evita deteriorarea alimentelor:

- Lăsarea ușilor deschise pentru o perioadă lungă de timp poate duce la creșterea temperaturii din interiorul produsului.
- Curățați în mod regulat sistemele de drenaj accesibile care au contact cu alimentele.
- Curățați rezervoarele de apă care nu au fost folosite timp de 48 de ore și sistemele de apă alimentate de la rețea care nu au fost folosite de mai mult de 5 zile.
- Puneți carnea crudă și produsele din pește în compartimente adecvate din

cadrul produsului. Astfel, acestea nu picură și nu intră în contact cu alte alimente.

- Compartimentele congelatorului cu două stele sunt folosite pentru alimentele preumplute, prepararea și depozitarea înghețatei și a înghețată.
- Compartimentele cu una, două și trei stele nu sunt adecvate pentru congelarea alimentelor proaspete.
- Dacă produsul de răcire a fost lăsat gol pentru o perioadă lungă de timp, opriți produsul, dezghețați-l, curățați-l și uscați-l pentru a proteja carcasa produsului.



1.8 Siguranța legată de întreținere și curățare

- Dacă trebuie să mutați produsul pentru a-l curăța, nu trageți de mânerul ușii. Mânerul poate să producă vătămări dacă este tras prea tare.
- Nu curățați produsul pulverizând sau turnând apă pe produs și în interiorul produsului. Risc de electrocutare și incendiu.
- Când curățați produsul, nu utilizați unelte ascuțite și abrazive sau agenți de

curățare de uz casnic, detergent, gaz, benzină, diluant, alcool, lac și substanțe similare. În interiorul produsului utilizați numai agenți de curățare și întreținere care nu sunt toxici pentru alimente.

- Nu folosiți aburi sau materiale de curățare cu aburi pentru curățarea produsului și topirea gheții din interiorul acestuia. Aburul intră în contact cu zonele sub tensiune din frigider și poate să ducă la electrocutări și scurtcircuite.
- Aveți grijă ca apa să nu intre în circuitele electrice sau în dispozitivele de iluminat ale produsului.
- Folosiți o lavetă curată, uscată pentru a șterge praful sau materiile străine de pe polii prizelor. Nu folosiți o lavetă udă sau umedă pentru a curăța priza. În caz contrar, pot să apară pericole de incendiu sau electrocutare.



1.9 Eliminarea produselor vechi

Atunci când eliminați produsul vechi, urmați instrucțiunile de mai jos:

- Pentru a preveni blocarea accidentală a copiilor în produs, dacă există un sistem de blocare a ușii, dezactivați-l.
- Stropii de lichid de răcire sunt dăunători pentru ochi. Nu deteriorați nicio parte a sistemului de răcire în timpul eliminării produsului.
- Poate fi fatal dacă uleiul din compresor este înghițit sau dacă acesta pătrunde în tractul respirator.
- Sistemul de răcire al produsului include gaz R600a, așa cum este specificat în eticheta de tip. Acest gaz este inflamabil. Nu eliminați produsul aruncându-l pe foc. Risc de explozie!
- C-Pentanul este utilizat ca agent de expandare în spuma de izolație și este o substanță inflamabilă. Nu eliminați produsul aruncându-l pe foc.

2 Instrucțiuni privind mediul

2.1 Conformitatea cu Directiva DEEE și eliminarea deșeurilor



Acest produs este în conformitate cu Directiva UE privind DEEE (2012/19/UE). Produsul este prevăzut cu un simbol de clasificare pentru deșeurile de echipamente

electrice și electronice (WEEE).

Acest simbolul indică faptul că acest produs nu trebuie eliminat cu alte deșeurile domestice la terminarea duratei sale de viață. Aparatul uzat trebuie predat la punctul de colectare oficial pentru reciclarea dispozitivelor electrice și electronice. Pentru a găsi aceste sisteme de colectare, contactați autoritățile dvs. locale sau distribuitorul de unde a fost achiziționat produsul. Fiecare gospodărie joacă un rol important în recuperarea și reciclarea aparatelor vechi. Eliminarea

corespunzătoare a aparatelor uzate contribuie la prevenirea consecințelor potențial negative asupra mediului și sănătății umane.

Conformitatea cu Directiva RoHS

Produsul pe care l-ați achiziționat este în conformitate cu Directiva UE RoHS (65/2011/UE). Acesta nu conține materiale nocive și interzise specificate în Directivă.

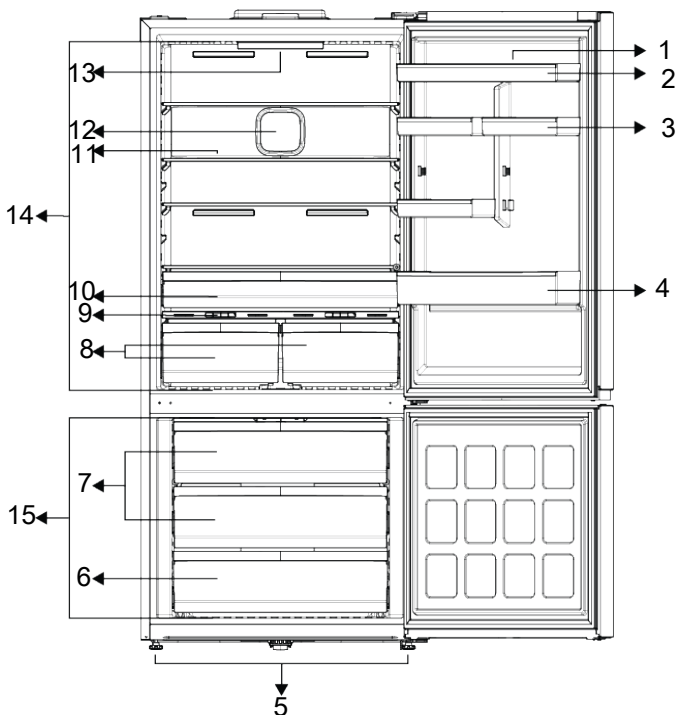


Informații despre ambalaj

Materialele de ambalare ale produsului sunt fabricate din materiale reciclabile în conformitate cu Reglementările naționale privind mediul. Nu eliminați materialele de ambalare împreună cu deșeurile menajere sau alte deșeurile. Predați-le la punctele de colectare a ambalajelor desemnate de autoritățile locale.

3 Frigiderul dumneavoastră

RO



- | | |
|--|---|
| 1 Suportul pentru ouă | 2 *Raft de ușă |
| 3 *Raft ajustabil ușă mică | 4 *Raft sticle |
| 5 Picioare ajustabile | 6 *Sertar mic compartiment de congelare |
| 7 *Sertar mare compartiment de congelare | 8 *Sertar pentru legume |
| 9 Capac cutie legume/fructe | 10 *Sertar depozitare la rece |
| 11 *Raft reglabil din sticlă | 12 Ventilator |
| 13 Iluminare | 14 Compartimentul frigorific |
| 15 Compartiment congelator | |

***Opțional:** Cifrele din acest manual de utilizare sunt schematice și s-ar putea să nu corespundă exact cu produsul dvs. Dacă

produsul dumneavoastră nu conține componentele relevante, informațiile se referă la alte modele.

4 Instalare



Citiți mai întâi secțiunea „Instrucțiuni de siguranță”!

4.1 Locul potrivit pentru instalare

Pentru instalarea produsului, contactați un service autorizat. Pentru a pregăti produsul pentru instalare, consultați informațiile din manualul de utilizare și asigurați-vă că racordarea la utilitățile de apă și electricitate este conformă. Dacă nu este conformă, contactați un electrician și un instalator.



AVERTISMENT:

Producătorul nu își asumă nicio responsabilitate pentru orice avarii suferite de lucrările efectuate de persoane neautorizate.



AVERTISMENT:

Cablul de alimentare al produsului trebuie să fie scos din priză în timpul instalării. În caz contrar, există pericol de moarte sau de vătămare gravă!



AVERTISMENT:

Dacă ușa încăperii este prea îngustă pentru a permite introducerea produsului, demontați ușa și răsuciți produsul în lateral; dacă acest lucru nu funcționează, contactați centrul de service autorizat.

- Dispuneți produsul pe o suprafață plată pentru a evita vibrațiile.
- Așezați produsul la cel puțin 30 cm față de plite, cuptor și surse similare de căldură și la cel puțin 5 cm față de cuptoarele electrice.
- Nu expuneți produsul la lumina directă a soarelui și nu îl păstrați în medii umede.
- Verificați dacă elementul de protecție a spațiului la peretele din spate se află în locația sa (dacă este furnizat împreună cu produsul).

4.2 Conexiunea electrică



Nu utilizați prelungitoare sau prize multiple pentru alimentarea la rețeaua electrică.



Cablul de alimentare deteriorat trebuie înlocuit de un centru de service autorizat.

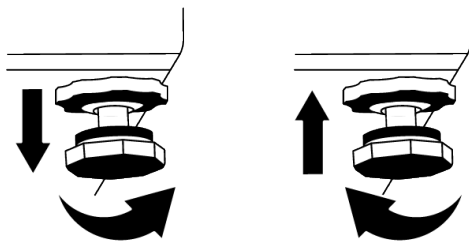


Când amplasați două frigidere în poziție adiacentă, lăsați o distanță de cel puțin 4 cm între cele două unități.

- Firma noastră nu își va asuma responsabilitatea pentru niciun fel de avarii produse din cauza folosirii fără împământare sau conectare la alimentare în conformitate cu reglementările naționale.
- Cablul de alimentare trebuie să fie ușor accesibil după instalare.
- Nu utilizați un ștecher multigrup cu sau fără cablu prelungitor între priza de perete și frigider.

4.3 Ajustarea picioarelor frontale

Dacă produsul nu este echilibrat, ajustați picioarele reglabile frontale rotind la dreapta sau stânga.



4.4 Avertisment de suprafață fierbinte

Perții laterali ai produsului dvs. sunt echipați cu țevi de răcire pentru a îmbunătăți sistemul de răcire. Lichidul de înaltă presiune poate curge prin aceste suprafețe și poate cauza suprafețe fierbinți

pe pereții laterali. Acest lucru este normal și nu necesită reparații. Aveți grijă când intrați în contact cu aceste zone.

5 Pregătirea



Citiți mai întâi secțiunea „Instrucțiuni de siguranță”!

5.1 Modalități de reducere a consumului de energie electrică



Conectarea produsului la sisteme electronice de economisire a energiei este dăunătoare deoarece poate afecta produsul.

- Acest aparat frigorific nu este destinat utilizării ca aparat încorporat.
- Nu lăsați ușa frigiderului deschisă perioade îndelungate de timp.
- Nu puneți mâncare fierbinte sau băuturi în frigider.
- Nu supraîncărcați frigiderul; blocarea circulației aerului din interior va reduce capacitatea de răcire.
- Deoarece aerul cald și umed nu va pătrunde direct în produsul dvs. atunci când ușile nu sunt deschise, produsul dvs. se va optimiza în condiții suficiente pentru a vă proteja alimentele. Funcțiile și componentele, cum ar fi compresorul, ventilatorul, radiatorul, dezghețarea, iluminatul, afișajul și așa mai departe, vor funcționa în funcție de necesitățile de consum minim de energie.
- În cazul în care există mai multe opțiuni, rafturile din sticlă trebuie amplasate astfel încât intrările de aer de la peretele din spate să nu fie blocate, și este de preferat ca intrările de aer să rămână sub raftul de sticlă. Această combinație poate ajuta la îmbunătățirea distribuției de aer și eficienței energetice.
- Utilizarea sertarului inferior în timpul încărcării este recomandată cu tărie.

- Alimentele se depozitează folosind sertarele din compartimentul frigorific pentru a asigura economisirea energiei și pentru a proteja alimentele în condiții mai bune.

5.2 Prima utilizare

Înainte de utilizarea frigiderului, asigurați-vă că ați realizat pregătirile necesare conform instrucțiunilor din capitolele „Instrucțiuni privind siguranța și mediul” și „Instalarea”.

- Lăsați frigiderul să funcționeze fără alimente timp de 6 ore și nu deschideți ușa, decât dacă este absolut necesar.
- Schimbarea de temperatură cauzată de deschiderea și închiderea ușii în timpul utilizării produsului poate duce în mod normal la condens pe rafturile ușii/corpului și pe produsele de sticlă plasate în produs.



Se va auzi un sunet când compresorul este cuplat. Este normal ca produsul să facă zgomot chiar dacă compresorul nu funcționează, deoarece lichidul și gazul pot fi comprimate în sistemul de răcire.



Este normal ca marginile frontale ale frigiderului să fie calde. Aceste zone sunt proiectate să se încălzească pentru împiedicarea condensului.

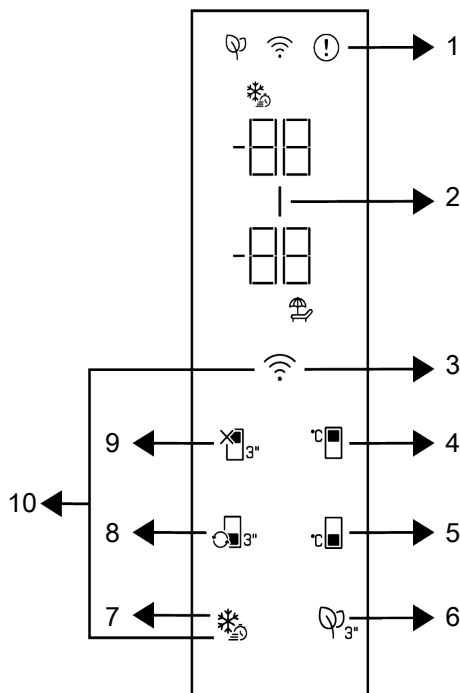


Pentru unele modele, panoul indicator se oprește automat la 1 minut după ce ușa este închisă. Va fi reactivat atunci când ușa este deschisă sau dacă este apăsat vreun buton.

5.3 Clasa climatică și definiții

Vă rugăm să consultați Clasa Climatică de pe plăcuța de identificare a aparatului. Una dintre următoarele informații este aplicabilă aparatului conform Clasei Climatice.

- **SN:** Clima temperată pe termen lung:
Aparatul de răcire este proiectat pentru a fi utilizat la temperaturi ambientale cuprinse între 10 °C și 32 °C.
- **N:** Clima temperată: Aparatul de răcire este proiectat pentru a fi utilizat la temperaturi ambientale cuprinse între 16°C și 32 °C.
- **ST:** Climă subtropicală: Aparatul de răcire este proiectat pentru a fi utilizat la temperaturi ambientale cuprinse între 16°C și 38°C.
- **T:** Climă tropicală: Aparatul de răcire este proiectat pentru a fi utilizat la temperaturi ambientale cuprinse între 16°C și 43°C.



- | | |
|--|--|
| 1 * Indicatorul privind starea de eroare | 2 * Indicator de economisire a energiei (afișaj oprit) |
| 3 *Tasta wireless | 4 * Tastă de setare a temperaturii compartimentului frigorific |
| 5 * Tasta de setare a temperaturii compartimentului congelator | 6 * Tasta modulului dezodorizant |
| 7 *Tasta de congelare rapidă | 8 * Tasta de conversie a compartimentului |
| 9 * Funcția OFF (vacanță) a compartimentului frigorific | 10 *Tastă pentru resetarea setărilor conexiunii wireless |



Citiți mai întâi secțiunea „Instrucțiuni de siguranță”.

Funcțiile audio și vizuale ale panoului indicator vă vor ajuta la folosirea frigiderului.

***Opțional:** Funcțiile afișate sunt opționale, pot exista diferențe de formă și de locație ale funcțiilor de pe panoul indicator al aparatului.

1. Indicator de stare de eroare

Acest indicator trebuie să fie activ atunci când frigiderul nu poate efectua o răcire adecvată sau în cazul unei erori a

senzorului. Pe indicatorul de temperatură al compartimentului de Congelator va fi afișat „E”, iar pe indicatorul de temperatură al compartimentului de răcire se afișează cifre precum 1,2,3... Aceste cifre de pe indicator furnizează informații serviciului autorizat cu privire la defecțiunea care a intervenit. Semnul exclamării poate fi afișat atunci când încărcăți alimente calde în compartimentul congelator sau păstrați ușa deschisă pentru o perioadă lungă de timp. Aceasta nu este o defecțiune, acest avertisment se elimină atunci când alimentul este răcit sau atunci când este apăsat orice buton.

2. Indicator de economisire a energiei (afișaj oprit)

Funcția de economisire a energiei este activată automat și simbolul de economisire a energiei este aprins atunci când ușa produsului nu este deschisă sau închisă pentru o anumită perioadă de timp. Atunci când este activă funcția de economisire a energiei, toate simbolurile de pe afișaj, altele decât simbolul de economisire a energiei, vor fi dezactivate. Când funcția de economisire a energiei este activă, dacă apăsați orice tastă sau dacă deschideți ușa, funcția de economisire a energiei se va dezactiva și semnalele de pe afișaj vor reveni la normal. Funcția de economisire a energiei este o funcție activată din fabrică și nu poate fi anulată.

3. Tasta wireless

Această tastă este utilizată pentru conectarea wireless la aparatul dvs. prin aplicația mobilă HomeWhiz. Dacă tastă este apăsată pentru o perioadă lungă (3 secunde), simbolul de conexiune wireless de pe afișaj/ecran va pâlpâi lent (la intervale de 0,5 secunde). Rețeaua home este astfel inițializată pe produs. După obținerea conexiunii wireless cu produsul, simbolul conexiunii wireless se aprinde continuu. Puteți activa/dezactiva conexiunea după finalizarea primei setări apăsând această tastă. Simbolul conexiunii

wireless va pâlpâi rapid (la intervale de 0,2 secunde) până când conexiunea este stabilă. Când conexiunea devine activă, simbolul conexiunii wireless pâlpâie continuu. Dacă legătura nu poate fi stabilită pentru o perioadă lungă, verificați setările conexiunii și consultați secțiunea “Troubleshooting” din manualul de utilizare. Utilizați aplicația HomeWhiz pentru conexiunea wireless. Pașii de instalare sunt descriși în aplicație în timpul instalării. Puteți accesa aplicația citind codul QR disponibil pe eticheta HomeWhiz de pe produs. Aplicația poate fi obținută din App Store pentru dispozitive IOS sau din Play Store pentru dispozitive Android. Pentru detalii, vizitați adresa <https://www.homewhiz.com/>.

4. Tastă de setare a temperaturii compartimentului frigorific

Permite setarea temperaturii pentru compartimentul frigorific. Apăsarea tastei va permite setarea temperaturii compartimentului de răcire la 8°C, 7°C, 6°C, 5°C, 4°C, 3°C, 2°C, și 1°C.

5. Tasta de setare a temperaturii compartimentului congelator

Setarea temperaturii se face pentru compartimentul congelatorului. Apăsarea tastei va permite setarea temperaturii compartimentului congelator la -18°C, -19°C, -20°C, -21°C, -22°C, -23°C, și -24°C.

6. Tasta modulului dezodorizant

Apăsați această tastă timp de 3 secunde pentru a activa/dezactiva funcția dezodorizant. Când funcția dezodorizant este activă, pictograma modulului dezodorizant este aprinsă. Când funcția este activă, modulul dezodorizant va fi utilizat periodic.

7. Tasta de congelare rapidă

Atunci când este apăsată tasta de congelare rapidă simbolul de congelare rapidă se aprinde și funcția de congelare rapidă este activată. Temperatura compartimentului congelator este setată la

-27 °C. Apăsăți din nou tasta pentru a anula funcția. Funcția de congelare rapidă se va anula automat după 24 de ore. Pentru a congela o cantitate mare de alimente proaspete, apăsați tasta de congelare rapidă înainte de amplasa alimentele în compartimentul frigorific.

8. Tasta de conversie a compartimentului

Când tasta de conversie a compartimentului este apăsată timp de 3 secunde, compartimentul congelatorului comută între modul de răcire, modul oprit și respectiv modul de congelare. Când este utilizat ca compartiment frigorific, temperatura compartimentului este setată la 4 °C. În modul OFF, indicatorul de temperatură a compartimentului va afișa „-”.

9. Tastă funcțională (Vacanță) a compartimentului frigorific dezactivată



Apăsăți tasta timp de 3 secunde pentru a activa funcția vacanță. Modul Vacanță este activat, iar simbolul de vacanță este aprins.

7 Utilizarea produsului



Citiți mai întâi secțiunea „Instrucțiuni de siguranță”!

7.1 Păstrarea alimentelor în compartimentul congelator și frigider

Păstrarea alimentelor în compartimentul congelator

- Puteți activa funcția Quick Freeze (Congelare rapidă) cu 4-6 ore înainte de funcția de congelare putând astfel efectua o răcire mai rapidă.
- Așteptați ca mâncarea fierbinte să ajungă la temperatura camerei înainte de a o pune în compartimentul congelator.
- Alimentele trebuie congelate în pachete separate împărțite în porții conform cantității consumate la o masă.

Expresia “- -” este afișată pe indicatorul temperaturii Compartimentului frigorific iar compartimentul frigorific nu efectuează activ răcirea. Nu este recomandat să țineți alimente în compartimentul frigorific atunci când această funcție este activată. Celelalte compartimente continuă să se răcească în funcție de temperaturile stabilite anterior. Apăsăți tasta din nou timp de 3 secunde pentru a anula această funcție.

10. Key for Resetting Wireless

Connection Settings +

Pentru a reseta setările de conexiune wireless, tastele Înghețare rapidă și conexiune wireless trebuie apăsată timp de 3 secunde. Toate informațiile despre utilizator înregistrate anterior sunt eliminate pe produsul în care setările conexiunii wireless sunt resetate/restaurate la valorile implicite din fabrică.

- Împachetarea alimentelor înainte de a le introduce în congelator este recomandată.
- Pentru a preveni expirarea termenului de păstrare, scrieți pe ambalaj data congelării, ora și denumirea produsului în funcție de termenii de păstrare a diferitelor alimente.
- Consumați rapid alimentele decongelate. Alimentele decongelate nu pot fi congelate din nou decât dacă sunt găsite. Nu este sănătos să consumați alimente proaspete recongelate fără a le găti după ce sunt decongelate.
- Atunci când congelați alimente proaspete, evitați contactul acestora cu alimentele deja congelate. În caz contrar, alimentele congelate se vor dezgheța.

Păstrarea alimentelor care sunt vândute gata congelate

- Urmați întotdeauna instrucțiunile producătorului cu privire la termenul de păstrare al alimentelor. Nu depășiți termenul specificat în aceste instrucțiuni!
- Pentru a proteja calitatea alimentelor, intervalul de timp între tranzacția de cumpărare și depozitare trebuie să fie cât mai scurt posibil.
- Cumpărați alimente congelate care sunt păstrate la -18°C sau temperaturi mai scăzute.
- Evitați cumpărarea alimentelor ale căror ambalaje sunt acoperite cu gheață etc. Aceasta înseamnă că produsul ar putea fi parțial decongelat și apoi recongelat. Temperatura are impact asupra calității alimentelor.
- Nu depășiți termenul de păstrare recomandat de producătorul de alimente. Scoateți din congelator doar alimentele de care aveți nevoie.
- Înafara cazurilor în care în mediu înconjurător există circumstanțe extreme, dacă produsul dvs. (din tabelul cu valori setate recomandate) este păstrat la valorile setate specificate, el își va păstra prospețimea mai mult timp atât în compartimentul pentru produse proaspete, cât și în compartimentul congelator.
- În cazul în care compartimentul pentru alimente proaspete este setat la o temperatură mai scăzută, fructele și legumele proaspete se pot congela parțial.

Tabletă de valori setate recomandate

Setarea compartimentului de congelare	Setarea compartimentului frigider	Observații
-20°C	4°C	Aceasta este setarea implicită recomandată.
-20°C sau mai rece	2°C	Utilizați aceste setări în cazul în care considerați că compartimentul răcitorului nu este suficient de rece din cauza temperaturii ambiante sau a deschiderii frecvente a ușii.
Quick Freeze (Congelare rapidă)	4°C	Utilizați atunci când doriți să congelați alimentele într-un timp scurt. La încheierea procesului, produsul va reveni la poziția anterioară.

Congelare rapidă

1. Activați funcția de congelare rapidă cu 24 de ore înainte de așezarea alimentelor proaspete.
2. După 24 de ore de la apăsarea butonului, așezați alimentele care doriți să le congelați pe primul sertar cu o capacitate de congelare mai mare.
3. Funcția de congelare rapidă va fi dezactivată în mod automat după 48 de ore.

Puneți alimentele pe care doriți să le răciți rapid pe al patrulea gratar.

Detalii congelator

Conform standardelor IEC 62552, congelatorul trebuie să aibă capacitatea de a îngheța 4,5 kg de alimente la -18°C sau la

temperaturi mai scăzute la 25°C temperatura camerei în 24 de ore pentru fiecare 100 de litri din volumul compartimentului congelatorului. Produsele alimentare se pot păstra pentru perioade îndelungate de timp numai la temperaturi de sau mai mici de -18°C . Puteți păstra alimentele proaspete cu lunile (în congelator sau la temperaturi sub 18°C). Produsele alimentare de congelat nu trebuie să ia contact cu alimentele deja congelate din interior, pentru a evita decongelarea parțială. Fierbeți legumele și filtrați apa pentru a prelungi timpul de stocare în congelator. Puneți alimentele în ambalaje ermetice după filtrare și puneți-le în congelator.

Bananele, roșiile, salata, țelina, ouăle fierte, cartofii și alte alimente similare nu trebuie congelate. În cazul în care aceste alimente îngheață, doar valorile nutriționale și calitățile alimentare vor fi afectate negativ. Nu se pune în discuție o putrefacție care ar amenința sănătatea umană.

Așezarea alimentelor

Rafturile din compartimentul

congelator: Diverse alimente congelate precum carne, pește, înghețată, legume etc.

Rafturile din compartimentul

frigider: Alimente în recipiente, farfuri cu capac și recipiente cu capac, ouă (în recipient acoperit)

Rafturi ușă compartimentul

frigider: Alimente sau băuturi mici și ambalate

Sertar pentru legume și

fructe: Legume și fructe

Compartimentul pentru alimente

proaspete: Delicatese (alimente pentru micul dejun, produse din carne care trebuie consumate repede)

Păstrarea alimentelor în compartimentul frigider

- Dacă ușa compartimentului este deschisă și închisă frecvent și lăsată deschisă o perioadă lungă de timp, temperaturile din compartiment cresc considerabil, ceea ce poate reduce durata de viață a alimentelor și poate duce la deteriorarea acestora.
- Pentru a nu provoca schimbări ale mirosului și gustului, alimentele trebuie păstrate în recipiente închise.
- Nu depozitați prea multe alimente în frigider. Pentru a asigura o răcire mai bună și mai omogenă, așezați alimentele separat, permițând circulația aerului rece printre ele.
- Asigurați circulația aerului lăsând spațiu între alimente și peretele interior. Dacă lipiți alimentele de peretele din spate, acestea pot îngheța.
- Așteptați ca mâncarea gătită și fierbinte să ajungă la temperatura camerei înainte de a o pune în frigider. Apoi, puteți pune

mâncarea caldă în rafturile inferioare ale frigiderului. Nu așezați mâncarea caldă în apropierea alimentelor care se pot altera ușor.

- Dezghețați alimentele congelate în compartimentul pentru alimente proaspete. Astfel, puteți răci compartimentul pentru alimente proaspete folosind alimente congelate astfel putând economisi energie.
- Păstrarea fructelor tropicale necoapte (mango, soiuri de pepene galben, papaya, banane, ananas) în frigider poate accelera procesul de maturizare. Acest lucru nu este recomandat deoarece va duce la o perioadă mai scurtă de păstrare.
- Păstrați ceapa, usturoiul, chimbirul și alte legume rădăcinoase în condiții de cameră întunecată și rece, nu în frigider.
- Dacă observați că în frigider s-a alterat un aliment, aruncați-l și curățați accesoriile care au intrat în contact cu el.
- Pentru a răci rapid mâncărurile precum supe și tocane, care se gătesc în cratițe mari, le puteți pune la frigider, separându-le în recipiente de mică adâncime.
- Nu așezați alimente neambalate lângă ouă.
- Păstrați fructele și legumele separat și fiecare soi împreună (de exemplu: mere cu mere, morcovi cu morcovi).
- Scoateți legumele verzi din pungă de plastic și puneți-le la frigider după ce le-ați înfășurat într-un prosop de hârtie sau o cârpă. Dacă spălați acest tip de alimente înainte de a le pune în frigider, nu uitați să le uscați.
- Puteți crea atât un mediu umed, cât și să permiteți circulația aerului păstrând fructele și legumele, care sunt predispuse la uscarea, în pungă de plastic perforată sau nesigilate.
- Înafara cazurilor în care în mediul înconjurător există circumstanțe extreme, dacă produsul dvs. (din tabelul cu valori setate recomandate) este păstrat la valorile setate specificate, el își va păstra prospețimea mai mult timp atât în

compartimentul pentru produse proaspete, cât și în compartimentul congelator.

Păstrați diferite alimente în diferite locuri în funcție de proprietățile acestora.

RO

Aliment	Locația
Ou	Raft de ușă
Produse lactate (unt, brânză)	Dacă există, compartimentul de zero grade (pentru alimentele de mic dejun)
Fructe, legume și verdeață	Compartimentul fructe-legume, sertar pentru fructe și legume sau Compartimentul EverFresh+ (dacă există)
Carnea proaspătă, carne de pui, pește, cârnați etc. Alimente găite	Dacă există, compartimentul de zero grade (pentru alimentele de mic dejun)
Produse gata de servit, produse împachetate, produse conservă și murături	Rafturile superioare sau raftul de ușă
Băuturi, sticle, condimente și snackuri	Raft de ușă

7.2 Înlocuirea lămpii de iluminat

Luați legătura cu Service-ul autorizat atunci când becul/LED-ul utilizat pentru iluminarea frigiderului va fi schimbat.

Lampa (lămpile) utilizată (utilizate) în acest aparat nu poate (pot) fi utilizată (utilizate) pentru iluminatul locuințelor. Scopul acestei lămpi este de a ajuta utilizatorul să introducă alimente în frigider/congelator în condiții de siguranță și confort.

7.3 Alertă ușă deschisă

În funcție de model, sistemul de alertă de deschidere a ușii frigiderului dumneavoastră poate fi diferit.

Versiunea 1;

Dacă ușa produsului rămâne deschisă pentru o anumită perioadă de timp (între 60 s și 120 s), se emite un semnal sonor de avertizare; în funcție de modelul produsului, poate fi afișat și un semnal vizual de avertizare (lumină intermitentă). Dacă închideți ușa dispozitivului sau apăsați un buton de pe ecranul dispozitivului, dacă acesta există, sunetul de avertizare se va opri.

Versiunea 2;

Dacă ușa dispozitivului rămâne deschisă pentru o anumită perioadă de timp (între 60s și 120 s), se declanșează alerta de ușă deschisă. Alerta de deschidere a ușii se declanșează treptat. Pentru început, se va

declanșa o avertizare sonoră. După 4 minute, dacă ușa nu este încă închisă, se activează un avertisment vizual (lumină intermitentă). Alerta de deschidere a ușii va fi amânată pentru o anumită perioadă de timp (între 60 s și 120 s) atunci când este apăsată orice tastă de pe ecranul produsului, dacă o astfel de tastă există. Apoi, procesul va începe din nou. Atunci când ușa dispozitivului este închisă, alerta de ușă deschisă va fi anulată.

7.4 Congelarea alimentelor proaspete

Este recomandat să puneți alimentele în frigider învelite sau acoperite.

Înainte de a fi așezate în frigider, alimentele calde trebuie răcite la temperatura încăperii.

Alimentele pe care doriți să le congelați trebuie să fie de bună calitate și proaspete. Produsele alimentare trebuie porționate conform porțiilor zilnice de consum ale familiei, sau în funcție de necesarul pentru o masă.

Chiar dacă alimentele vor fi ținute pentru o perioadă scurtă de timp, acestea ar trebui să fie ambalate într-un mod etanș pentru a preveni uscarea lor.

Materialele folosite la ambalarea alimentelor trebuie să fie rezistente la frig, umiditate, rupere, mirosuri, ulei și acid și trebuie să fie etanșe.

În plus, acestea ar trebui să acopere alimentele corespunzător și să fie dintr-un material util și adânc.

Alimentele congelate trebuie folosite imediat după decongelare; nu trebuie să fie recongelate.

Pentru a obține cele mai bune rezultate, aplicați următoarele instrucțiuni:

1. Nu congelați cantități mari de alimente în același timp. Cea mai bună cale posibilă de a păstra calitatea alimentelor este să le congelați cât mai repede posibil.
2. Când în compartimentul congelator sunt dispuse alimente calde, sistemul de răcire funcționează continuu pentru

o perioadă pentru a răci aceste alimente până când sunt complet întărite.

3. Aveți mare grijă să nu amestecați alimentele congelate cu alimentele proaspete.

7.5 Schimbarea sensului de deschidere a ușii

Sensul de deschidere a ușii a frigiderului poate fi schimbat în funcție de locul în care puneți frigiderul. Când aveți nevoie de așa ceva, luați neapărat legătura cu cel mai apropiat Service autorizat.

8 Caracteristicile produsului

8.1 Tehnologii sertar legume și fructe

Lumina albastră

Fructele și legumele păstrate în compartimentele pentru legume și iluminate cu lumină albastră își continuă fotosinteza prin efectul frecvenței luminii albastre și, astfel, își păstrează conținutul de vitamine.

VitaminZone

Fructele și legumele păstrate în compartimentele pentru legume și iluminate prin tehnologia VitaminZone își păstrează vitaminele pentru o perioadă mai lungă datorită luminilor albastră, verde, roșie și a ciclurilor de lumină-întuneric care simulează un ciclu de zi.

Atunci când ușa frigiderului dvs. este deschisă în timpul perioadei de întuneric a tehnologiei VitaminZone, frigiderul dvs. va simți acest lucru în mod automat și va ilumina sertarul cu una dintre luminile albastre, verzi sau roșii, pentru confortul dvs. După ce ați închis ușa frigiderului, perioada de întuneric va continua, reprezentând timpul de noapte într-un ciclu de zi.

8.2 Zona de depozitare la rece a produselor lactate

Sertar depozitare la rece

Sertarul de depozitare la rece poate atinge temperaturi mai scăzute în compartimentul frigorific. Utilizați acest sertar pentru a depozita delicatese (salam, cârnați, produse lactate etc.) și produse lactate care necesită o temperatură de depozitare mai scăzută sau produse din carne, pui sau pește pentru consum imediat. Stocarea fructelor și legumelor în acest compartiment nu este recomandată.

8.3 Zona de depozitare a gheții

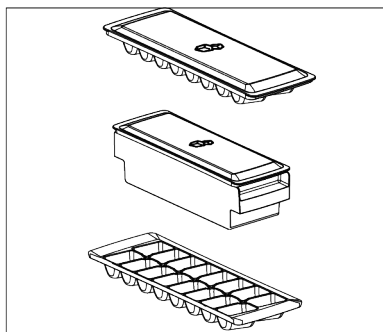
Recipient pentru gheață

Recipientul pentru cuburi de gheață vă permite să scoateți cu ușurință gheața din frigider.

Utilizarea recipientului pentru cuburi de gheață

1. Extrageți recipientul pentru cuburi de gheață din compartimentul de congelare.
2. Umpleți recipientul pentru cuburi de gheață cu apă.

3. Așezați recipientul pentru cuburi de gheață în compartimentul de congelare. În aproximativ două ore, cuburile de gheață vor fi gata.
4. Extrageți recipientul pentru cuburi de gheață din compartimentul congelatorului și îndoțiți-l ușor deasupra recipientului pe care îl veți servi. Gheața se va turna cu ușurință în recipientul de servire.



8.4 Suportul pentru ouă

Puteți așeza suportul pentru ouă pe ușa sau pe raftul dorit.

Dacă suportul pentru ouă urmează să fie așezat pe raft, vă recomandăm să alegeți rafturi inferioare mai reci.



Nu așezați niciodată suportul pentru ouă în compartimentul congelatorului

8.5 AeroFresh

Este un sistem de distribuție a aerului care asigură o distribuție omogenă a temperaturii. Odată cu circulația aerului se asigură distribuția omogenă a temperaturii în compartimentul de depozitare a alimentelor proaspete, iar fluctuațiile de temperatură sunt menținute la cote scăzute. Aerul nu este suflat direct peste alimente iar acest lucru ajută la reducerea pierderii umidității. Astfel, prospețimea alimentelor depozitate în compartimentul pentru alimente proaspete al frigiderului este păstrată. În acest fel, alimentele sunt păstrate la temperaturi mai stabile și

contactul cu aerul este redus. Uscarea și micșorarea alimentelor prin pierderea umidității este prevenită iar prospețimea este asigurată pentru mai mult timp.

8.6 Sertar legume fructe cu control al umidității

Full fresh

Datorită sertarului pentru legume și fructe cu umiditate controlată, legumele și fructele pot fi depozitate pentru o perioadă mai lungă de timp într-un mediu cu condiții ideale de umiditate.

Cu sistemul de setarea umidității cu 3 opțiuni din fața sertarului, puteți controla umiditatea din interiorul compartimentului în funcție de alimentele pe care le stocați. Vă recomandăm să depozitați alimentele selectând opțiunea de legume atunci când depozitați numai legume, opțiunea de fructe atunci când depozitați numai fructe și opțiunea mixtă atunci când depozitați alimente mixte.

Recomandăm ca legumele și fructele să nu fie depozitate în pungi pentru a îmbunătăți perioada de depozitare a alimentelor și pentru a beneficia mai bine de sistemul de control al umidității. Lăsându-le în pungi de plastic, legumele putrezesc într-un timp scurt. Recomandăm să nu păstrați în pungi închise în special castraveți și broccoli. În situațiile în care nu se preferă contactul cu alte legume, utilizați materiale de ambalare, cum ar fi hârtia, care are un anumit nivel de porozitate din punct de vedere al igienei.

La plasarea legumelor, așezați legumele grele și dure în partea de jos și cele ușoare și moi în partea de sus, luând în considerare greutatea specifică a legumelor.

Nu așezați fructe care au o producție mare de gaze de etilenă, cum ar fi pere, caise, piersici și în special mere, în același sertar cu alte legume și fructe. Gazul de etilenă care provine din aceste fructe poate determina alte legume și fructe să se maturizeze mai repede și să putrezească într-o perioadă mai scurtă de timp.

9 Întreținerea și curățarea



AVERTISMENT:

Citiți mai întâi secțiunea „Instrucțiuni de siguranță”.



AVERTISMENT:

Scoateți frigiderul din priză înainte de a-l curăța.

- Nu folosiți instrumente ascuțite sau abrazive pentru a curăța produsul. Nu folosiți materiale precum agenți de curățare de uz domestic, săpun, detergenți, gaz, benzină, diluant, alcool, ceară etc.
- Praful trebuie îndepărtat de pe grilajul de ventilație din spatele produsului cel puțin o dată pe an (fără a deschide capacul). Curățați ușa cu o cârpă umedă.
- Asigurați-vă că nu intră apă în carcasa lămpii și în alte componente electrice.
- Curăța ușa cu o cârpă umedă. Scoateți tot conținutul pentru a scoate rafturile ușilor și ale corpului. Scoateți rafturile ușilor ridicându-le în sus. Curățați și uscați rafturile, apoi montați-le la loc glisând de sus.
- Nu utilizați apă clorurată sau produse de curățare pe suprafața exterioară și pe componentele cromate ale produsului. Clorul va cauza ruginirea suprafețelor metalice.
- Nu utilizați unelte ascuțite și abrazive, săpun, materiale de curățare a locuințelor, detergenți, gaz, benzină, lac și substanțe similare pentru a preveni deformarea părții din plastic și îndepărtarea amprentelor de pe piesă. Folosiți apă caldă și o cârpă moale pentru curățare și apoi uscați prin ștergere.
- Pe produsele fără caracteristica No-Frost, pe peretele din spate al compartimentului congelatorului pot apărea picături de apă și formarea gheții de grosimea unui deget. Nu curățați și nu aplicați niciodată uleiuri sau materiale similare.

- Utilizați o cârpă din microfibră ușor umezită pentru a curăța suprafața externă a produsului. Bureții și alte tipuri de haine de curățare pot provoca zgârieturi.
- Pentru a curăța toate componentele detașabile în timpul curățării suprafeței interioare a produsului, spălați aceste componente cu o soluție ușoară constând din săpun, apă și bicarbonat de sodiu. Spălați și uscați bine. Preveniți contactul apei cu componentele de iluminare și panoul de control.



ATENȚIE:

Nu folosiți oțet, alcool de frecare sau alți agenți de curățare pe bază de alcool pe orice suprafață interioară.

Suprafețe externe din oțel inoxidabil

Utilizați un agent de curățare neabraziv pentru oțel inoxidabil și aplicați-l cu o cârpă moale, care nu lasă scame. Pentru lustruire, ștergeți ușor suprafața cu o cârpă din microfibră umezită cu apă și folosiți o lavetă uscată pentru lustruire uscat. Urmați întotdeauna venele din oțel inoxidabil.

Prevenirea mirosurilor neplăcute

Produsul a fost fabricat fără să prezinte orice mirosuri neplăcute. Cu toate acestea, dacă păstrați alimentele în compartimentele inadecvate și curățați suprafețele interne în mod necorespunzător se pot acumula mirosuri neplăcute.

- Pentru a evita acest lucru, curățați interiorul cu apă cu bicarbonat de sodiu la fiecare 15 zile.
- Păstrați alimentele în suporturi sigilate, deoarece microorganismele care apar din alimentele păstrate în recipiente nesigilate vor provoca mirosuri neplăcute.
- Nu păstrați în frigider alimente expirate și alterate.

10 Depanare

Verificați această listă înainte de a contacta departamentul de service. Puteți economisi timp și bani. Această listă include probleme frecvente care nu sunt provocate de defecte de material sau de manoperă. Este posibil ca unele funcții descrise aici să nu se aplice pentru produsul dvs.

Frigiderul nu funcționează.

- Cablul de alimentare nu este complet reglat. >>> Introduceți ștecherul în priză.
- Siguranța prizei la care este conectat frigiderul sau siguranța principală este arsă. >>> Verificați siguranța.

Condens pe peretele lateral al compartimentului frigiderului (MULTI ZONE, COOL CONTROL și FLEXI ZONE).

- Ușa este deschisă prea frecvent. >>> Aveți grijă să nu deschideți ușa frigiderului prea frecvent.
- Mediul este prea umed. >>> Nu instalați produsul în medii umede.
- Alimentele lichide sunt păstrate în recipiente deschise. >>> Păstrați alimentele lichide în recipiente închise.
- Ușa produsului este lăsată deschisă. >>> Nu lăsați ușa frigiderului deschisă perioade îndelungate de timp.
- Termostatul este setat la o temperatură foarte rece. >>> Setați termostatul la o temperatură adecvată.

Compresorul nu funcționează.

- Sistemul de protecție termică a compresorului se va activa în cazul penelor de curent sau în cazul deconectării și reconectării la priză, întrucât presiunea din sistemul de răcire nu este încă echilibrată. Frigiderul va porni după circa 6 minute. Contactați un centru de service dacă frigiderul nu pornește după această perioadă.

- Dezghețare este activată. >>> Acest mod este normal pentru un frigider cu dezghețare automată. Ciclul de dezghețare are loc periodic.
- Frigiderul nu este conectat la priză.>>> Asigurați-vă că ștecherul este introdus corect în priză.
- Setarea de temperatură este incorectă. >>> Selectați temperatura adecvată.
- Nu este curent. >>> Frigiderul va continua să funcționeze normal după ce curentul revine.

În timpul funcționării frigiderului, zgomotul devine mai intens.

- Modul de funcționare a frigiderului se poate modifica în funcție de condițiile ambientale. Acesta este un fenomen normal și nu reprezintă o defecțiune.

Frigiderul pornește des sau funcționează perioade îndelungate de timp.

- Este posibil ca noul dvs. frigider să fie mai mare decât cel vechi. Frigiderele mari funcționează perioade îndelungate de timp.
- Temperatura încăperii poate fi ridicată. >>> De regulă, frigiderul funcționează perioade îndelungate de timp la temperaturi ridicate în încăpere.
- Este posibil ca frigiderul să fi fost conectat recent la priză sau să fi fost umplut recent cu alimente. >>> Dacă frigiderul a fost conectat recent la priză sau a fost umplut cu alimente, va dura mai mult până frigiderul va atinge temperatura setată. Este un lucru normal.
- Este posibil ca în frigider să fi fost introduse recent cantități mari de alimente calde. >>> Nu introduceți alimente calde în frigider.
- Este posibil ca ușile să fi fost deschise frecvent sau lăsate întredeschise mai mult timp. >>> Aerul cald care pătrunde

În frigider determină funcționarea pe perioade mai îndelungate de timp.
Deschideți mai rar ușile.

- Este posibil ca ușa congelatorului sau frigiderului să fi fost lăsată întredeschisă. >>> Verificați dacă ușile sunt închise corect.
- Produsul poate fi setat la o temperatură foarte joasă. >>> Selectați o temperatură mai ridicată și așteptați ca aceasta să fie atinsă.
- Este posibil ca garnitura ușii frigiderului sau congelatorului să fie murdară, uzată, ruptă sau poziționată incorect. >>> Curățați sau înlocuiți garnitura. Garniturile deteriorate/defecte determină funcționarea pe perioade îndelungate de timp a frigiderului pentru a se asigura temperatura corectă.

Temperatura congelatorului este foarte joasă, iar temperatura frigiderului este adecvată.

- Ați selectat o temperatură foarte joasă a congelatorului. >>> Selectați o temperatură mai ridicată a congelatorului și verificați din nou.

Temperatura frigiderului este foarte joasă, iar temperatura congelatorului este adecvată.

- Ați selectat o temperatură foarte joasă a frigiderului. >>> Setati o temperatură mai ridicată a compartimentului frigorific și verificați din nou.

Alimentele din sertarele frigiderului sunt înghețate.

- Ați selectat o temperatură foarte joasă a frigiderului. >>> Setati o temperatură mai ridicată a compartimentului frigorific și verificați din nou.

Temperatura din frigider sau congelator este foarte mare.

- Ați selectat o temperatură foarte ridicată a frigiderului. >>> Setarea temperaturii compartimentului de răcire are un efect asupra temperaturii din compartimentul congelatorului. Așteptați până când temperatura pieselor relevante atinge

nivelul suficient prin schimbarea temperaturii compartimentelor de răcire sau de congelare.

- Este posibil ca ușile să fi fost deschise frecvent sau lăsate întredeschise mai mult timp. >>> Deschideți mai rar ușile.
- Este posibil ca ușa să fi fost lăsată întredeschisă. >>> Închideți complet ușa.
- Este posibil ca frigiderul să fi fost conectat recent la priză sau să fi fost umplut recent cu alimente. >>> Acest lucru este normal. Dacă frigiderul a fost conectat recent la priză sau a fost umplut cu alimente, va dura mai mult până frigiderul va atinge temperatura setată.
- Este posibil ca în frigider să fi fost introduse recent cantități mari de alimente calde. >>> Nu introduceți alimente calde în frigider.

Vibrații sau zgomot.

- Suprafața nu este plană sau dură >>> Dacă frigiderul se clatină când este împins ușor, reglați picioarele pentru a echilibra frigiderul. De asemenea, asigurați-vă că podeaua este suficient de stabilă și poate susține frigiderul.
- Zgomotul poate fi provocat de obiectele amplasate pe frigider. >>> Aceste obiecte trebuie îndepărtate de pe frigider.
- Frigiderul emite zgomote asemănătoare curgerii sau pulverizării lichidelor etc.
- Funcționarea frigiderului se bazează pe circulația gazelor și lichidelor. >>> Acesta este un fenomen normal și nu reprezintă o defecțiune.

Frigiderul emite un zgomot similar cu suieratul vântului.

- Frigiderul este prevăzut cu un ventilator pentru răcire. Acesta este un fenomen normal și nu reprezintă o defecțiune.

Condens pe pereții interiori ai frigiderului.

- Mediile calde și umede favorizează formarea gheții și condensului. Acesta este un fenomen normal și nu reprezintă o defecțiune.

- Este posibil ca ușile să fi fost deschise frecvent sau lăsate întredeschise mai mult timp. >>> Deschideți mai rar ușile; dacă ușa este deschisă, închideți-o.
- Este posibil ca ușa să fi fost lăsată întredeschisă. >>> Închideți complet ușa.

Condens în exteriorul frigiderului sau între uși.

- Este posibil ca mediul să fie umed. Acest fenomen este normal în medii umede. >>> La reducerea umidității, condensul va dispărea.

Mirosuri neplăcute în frigider.

- Frigiderul nu este curățat în mod periodic. >>> Curățați periodic interiorul frigiderului folosind un burete, apă caldă și carbonată.
- Este posibil ca mirosul să fie cauzat de anumite recipiente și ambalaje. >>> Folosiți un recipient sau un ambalaj care nu prezintă mirosuri neplăcute.
- Alimentele au fost introduse în recipiente deschise. >>> Păstrați alimentele în recipiente închise. Alimentele neetanșate corespunzător pot răspândi microorganisme și cauzează mirosuri neplăcute.
- Aruncați toate alimentele expirate sau alterate din frigider.

Ușa nu se închide.

- Este posibil ca ambalajele alimentelor să blocheze ușa. >>> Mutați alimentele care împiedică închiderea ușii.

- Este posibil ca frigiderul să fie înclinat. >>> Reglați picioarele de pentru a echilibra frigiderul.
- Suprafața nu este plană sau dură >>> Asigurați-vă că suprafața este plană și destul de dură pentru a susține produsul.

Cutia legume/fructe este blocată.

- Este posibil ca alimentele să atingă partea superioară a sertarului. >>> Rearanjați alimentele în sertar.

Temperatura la suprafața produsului.

- Temperatura ridicată poate fi observată între două uși, pe panourile laterale și pe suprafața grilei din spate în timp ce produsul este pus în funcțiune. Acest lucru este normal și nu necesită reparații.

Ventilatorul continuă să funcționeze atunci când ușa este deschisă.

- Ventilatorul poate continua să funcționeze atunci când ușa congelatorului este deschisă.



AVERTISMENT: Dacă problema persistă după ce ați urmat instrucțiunile din acest capitol, contactați distribuitorul dvs. sau un centru de service autorizat. Nu încercați să reparați produsul. Este un lucru normal.

DECLINARE RESPONSABILITATE / AVERTIZARE

Unele defecțiuni (simple) pot fi tratate în mod adecvat de către utilizatorul final fără a apărea nicio problemă de siguranță sau utilizare nesigură, cu condiția ca acestea să fie efectuate în limitele și în conformitate cu următoarele instrucțiuni (consultați secțiunea „Auto-reparare”).

Prin urmare, dacă în secțiunea „Auto-reparare” de mai jos nu este autorizat altfel, reparațiile vor fi adresate mecanicilor profesioniști înregistrați pentru a evita problemele de siguranță. Un mecanic profesionist înregistrat este un mecanic

profesionist căruia i s-a acordat acces la instrucțiunile și lista de piese de schimb ale acestui produs de către producător conform metodelor descrise în actele legislative în conformitate cu Directiva 125/2009/CE.

Cu toate acestea, numai agentul de service (adică mecanicii profesioniști autorizați) pe care îl puteți contacta de la numărul de telefon indicat în manualul de utilizare/cardul de garanție sau prin dealer-ul dumneavoastră autorizat poate asigura service-ul în condițiile

garanției. Prin urmare, vă rugăm să rețineți că reparațiile efectuate de mecanici profesioniști (care nu sunt autorizați de Grundig) vor duce la anularea garanției.

Auto-repararea

Auto-repararea poate fi efectuată de utilizatorul final cu privire la următoarele piese de schimb: mânere de uși, balamale uși, tăvi, coșuri și garnituri de ușă (o listă actualizată este disponibilă support.grundig.com începând cu 1 martie 2021).

Mai mult, pentru a asigura siguranța produsului și pentru a preveni riscul de vătămare gravă, auto-repararea menționată se va face urmând instrucțiunile din manualul de utilizare pentru auto-reparare sau care sunt disponibile în support.grundig.com. Pentru siguranța dumneavoastră, scoateți produsul din priză înainte de a încerca orice auto-reparare.

Reparațiile și încercarea de reparații ale utilizatorilor finali pentru piesele care nu sunt incluse în această listă și/sau care nu respectă instrucțiunile din manualele de utilizare pentru auto-reparare sau care sunt disponibile în support.grundig.com, ar putea ridica probleme de siguranță care nu pot fi atribuite Grundig, și ar putea duce la anularea garanției produsului.

Prin urmare, este recomandat cu tărie ca utilizatorii finali să se abțină de la încercarea de a efectua reparații care nu se încadrează în lista menționată de piese de schimb, contactând în astfel de cazuri mecanici profesioniști autorizați sau mecanici profesioniști înregistrați. În caz contrar, încercările de reparație efectuate de utilizatorii finali pot cauza probleme legate de siguranță, pot deteriora produsul și pot cauza incendii, inundații, electrocutări și grave vătămări corporale.

Cu titlu de exemplu, dar fără a se limita la, următoarele reparații trebuie să fie adresate mecanicilor profesioniști autorizați sau mecanicilor profesioniști înregistrați: compresor, circuit de răcire, placa principală, placă invertor, placă de afișare etc.

Producătorul/vânzătorul nu poate fi tras la răspundere în niciun caz în care utilizatorii finali nu respectă cele de mai sus.

Disponibilitatea pieselor de schimb ale frigiderului pe care l-ați achiziționat este de 10 ani. În această perioadă, vor fi disponibile piese de schimb originale pentru ca frigiderul să funcționeze corect.

Durata minimă a garanției pentru frigiderul pe care l-ați achiziționat este de 24 de luni. Acest produs este prevăzut cu o sursă de iluminare de clasă energetică „G”.

Sursa de iluminare a acestui produs trebuie înlocuită numai de mecanici profesioniști.