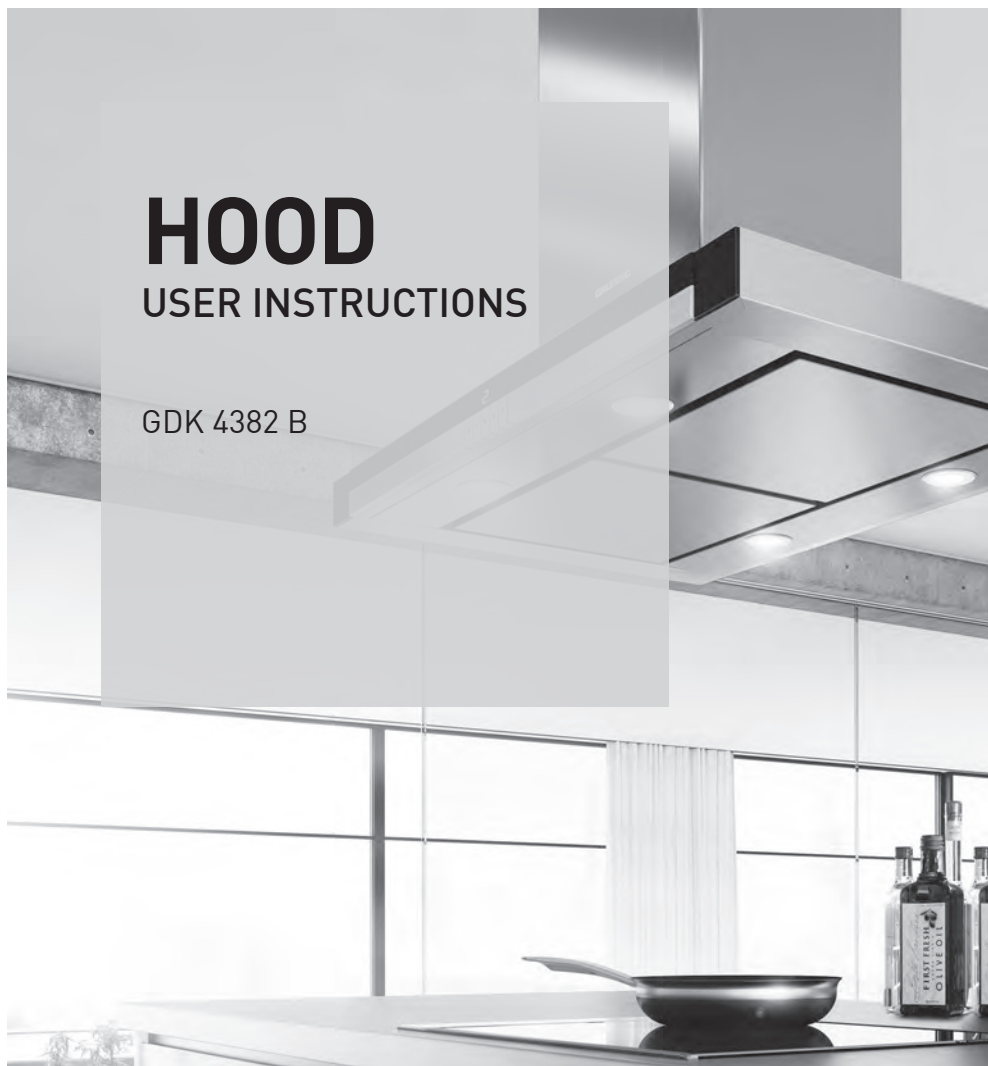


# HOOD

## USER INSTRUCTIONS

GDK 4382 B



ENG

DE

SV

NO

FI

DA

IT

CS

[www.grundig.com](http://www.grundig.com)

FOR A GOOD REASON

**GRUNDIG**



<b>ENGLISH</b>	<b>05-22</b>
----------------	--------------

<b>DEUTSCH</b>	<b>23-43</b>
----------------	--------------

<b>SVENSKA</b>	<b>44-62</b>
----------------	--------------

<b>NORSK</b>	<b>63-81</b>
--------------	--------------

<b>SUOMI</b>	<b>82-100</b>
--------------	---------------

<b>DANSK</b>	<b>101-120</b>
--------------	----------------

<b>ITALIANO</b>	<b>121-141</b>
-----------------	----------------

<b>ČESKY</b>	<b>142-161</b>
--------------	----------------

# Important safety and environmental instructions

This section contains safety instructions that will help protect from risk of personal injury or property damage. Failure to follow these instructions invalidates the granted warranty.

## 1.1 General safety

- Always have the installation and repairing procedures carried out by the Authorized Service Agent. Manufacturing firm shall not be held responsible for damages that may be caused by unauthorized persons.
- This appliance is not intended for use by persons (including children) with reduced physical, sensory or mental capabilities, or lack of experience and knowledge. Children should be supervised to ensure that they do not play with the appliance.

## 1.1.1 Electrical safety

- Always unplug the appliance from the mains supply during installation, maintenance, cleaning and repair operations.
- If the power cable is faulty, it should be replaced by a qualified person certified by the manufacturer, after-sales service or similar (preferably an electrician) or a person described by the importer.
- Operating voltage is 220 to 240 volts.
- If the appliance has a failure, it should not be operated unless it is repaired by the Authorized Service Agent. There is the risk of electric shock!
- Do not route power cable close to hobs. Otherwise power cable may cause fire since it melts down easily.
- Never plug the hood before installation is completed.

# Important safety and environmental instructions

- In order to obtain the best performance, external conductor must not be longer than 4 m. It must not contain more than 2 perpendicular (90°) angles and its diameter must be min.  $\varnothing 120$  mm.
- Disconnect the appliance from mains before any intervention to the internal parts of the appliance.
- Use the appliance with a grounded outlet only.
- The height between the lower surface of the hood and upper surface of the stove/oven should not be less than 65 cm for gas hobs and 50 cm for electric hobs.
- Do not operate the hood without aluminum filters and do not remove the filters while it is operated.
- Never touch the hood's lamps after they are operated for a long time. Hot lamps may burn your hand.

## 1.1.2 Product safety

- You can use a pipe with a diameter of 120 mm on the flue connection of the hood.
- Avoid large flames beneath the product. Otherwise, particles on oil filter may ignite and lead to a fire.
- Do not make connections to the flues connected with stoves, exhaust shafts or flues with rising flames. Observe the rules set by authorities on the discharge of exhaust air.
- Turn on the hobs after placing pans or pots on it. Otherwise, rising heat may deform certain parts of your product.
- Turn off the hobs before taking away pans or pots.
- Avoid inflammable materials under the hood.

# Important safety and environmental instructions

- Oil may ignite while frying foods. Therefore, be careful about cloths and curtains.
- Never leave the cooker unattended when frying foods; otherwise hot oil may cause fire.
- There is the risk of fire if your hood is not cleaned in the specified periods.
- Be extremely careful and wear gloves when cleaning the hood.
- We advise you to operate the appliance a few minutes before starting to cook in order to increase the suction power. Thus, you shall have a continuous and stable suction power when the vapors arise.
- Operate your hood for 15 minutes more after the end of cooking or frying in order to remove the smell and cooking vapor in the kitchen.
- When the hood is in use, especially together with gas cookers, make sure that environment is ventilated with clean air.
- Pay attention not to connect the appliance to the flues used by non-electrical devices. (E.g.: Heater flue).
- Simultaneous and smooth operation of the hood and another device that require air is only possible when a low pressure of 4 Pa (0.04 mbar) is reached, and thus the reabsorption of the gas is avoided. This can only be achieved by means of air coming from uncovered openings (door, window, ventilation openings or other technical measures). Pay utmost attention to provide sufficient air flow. A flue that provides air ingress/egress is not enough for this purpose.

# Important safety and environmental instructions

## 1.1.3 Children's safety

- Packaging materials are dangerous to children. Keep packaging materials in a safe place out of reach of children.
- Electrical appliances are dangerous to children. Keep children away from the product. Do not allow children play with the appliance.
- This appliance can be used by the children who are at the age of 8 or over and by the people who have limited physical, sensory or mental capacity or who do not have knowledge and experience, as long as they are supervised with regard to safe use of the product or they are instructed accordingly and understand the risks of using the product. Children should not play with the appliance.
- **CAUTION:** Accessible parts may heat up when used with a cooking device.

## 1.2 Intended use

- This appliance is intended for domestic use. It is not suitable for commercial use and it must not be used out of its intended use.
- The manufacturer shall not be liable for any damage caused by improper use or handling.
- Service life of your appliance is 10 years. This is the period required for availability of spare parts for proper functioning of the product.
- **WARNING:** Failure to fix the screws in concordance with the instructions provided in the manual may lead to electrical hazards.

# Important safety and environmental instructions

## 1.3 Technical data



This device is noise-suppressed according to the applicable EU directives.

This product fulfils the European directives 2014/53/EU, 2009/125/EC and 2011/65/EU.

You can find the CE declaration of conformity for the device in the form of a pdf file on the Grundig Homepage [www.grundig.com/download/doc](http://www.grundig.com/download/doc).

Technical and design modifications reserved.

## 1.4 Compliance with the WEEE Directive and Disposing of the Waste Product:

This product complies with EU WEEE Directive (2012/19/EU). This product bears a classification symbol for waste electrical and electronic equipment (WEEE).



This product has been manufactured with high quality parts and materials which can be reused and are suitable for recycling.

Do not dispose of the waste product with normal domestic and other wastes at the end of its service life. Take it to the collection center for the recycling of electrical and electronic equipment. Please consult your local authorities to learn about these collection centers.

## Compliance with RoHS Directive

The product you have purchased complies with EU RoHS Directive (2011/65/EU). It does not contain harmful and prohibited materials specified in the Directive.

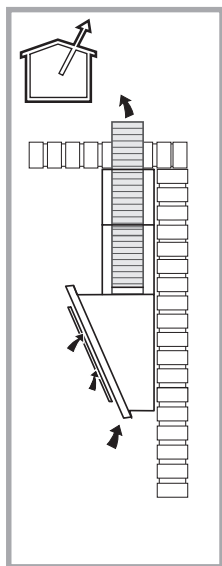
## 1.5 Package information



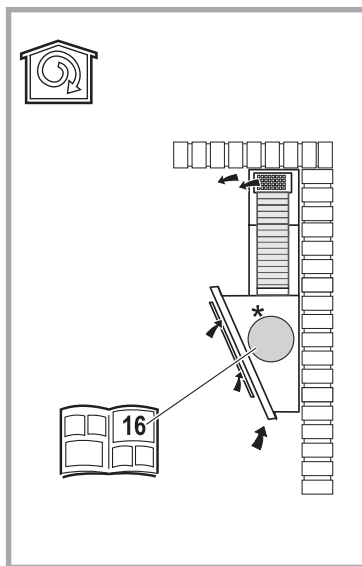
Packaging materials of the product are manufactured from recyclable materials in accordance with our National Environment Regulations. Do not dispose of the packaging materials together with the domestic or other wastes. Take them to the packaging material collection points designated by the local authorities.



# Technical specifications



 Usage with Flue



 Usage with Charcoal Filter

Values stated on the product labels or in the documentation accompanying it are obtained in laboratory conditions in accordance with relevant standards. These values may vary depending on operational and environmental conditions of the product.

# Installing your appliance

Please consult the nearest Authorized Service for the installation of the hood.

\*Preparation of location and electrical installation for the product is under customer's responsibility.

## Caution!

Remove the protective film (if any) on the hood and flue surface after the installation.

Distance between lower surface of the hood and upper surface of the hob should be at least 50 cm.

Have a qualified electrician make the electrical connection.

Install your appliance so that you can reach the power connection (plug, outlet) easily after installation.

Dimensions are given in mm.

## Electrical connection

Main power supply should comply with the values indicated on the plate in the hood. Connect the hood to a plug socket in compliance with current regulations by means of a plug and place it within an accessible area. After installation; if device doesn't have a plug (direct mains supply connection) or plug is out of reach, use a double-pole switch in line with standards, that enables disconnection of main plug under circumstances related to excessive flow category III.

**Warning:** Before reconnecting the hood to main power source and checking if it works correctly, ensure that main power source plug is plugged properly.

The hood has a special power plug, in the event that the cable is damaged; contact authorized technical service.

## Assembly

### Before you start:

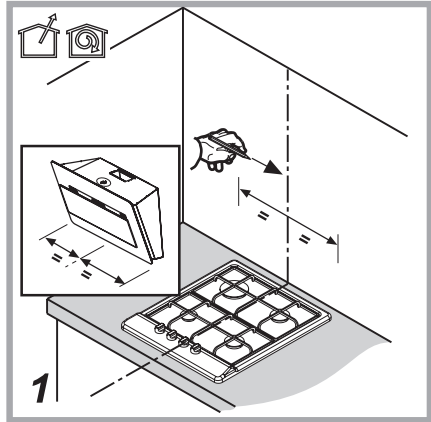
- Check that the product purchased has appropriate sizes for mounting area.
- Remove the active charcoal (\*) filter if supplied (see also relative paragraph). That/those will only be mounted if you desire to use the hood as a filtered model.
- Check if any other material (such as screw package (\*), warranty card (\*) etc.) is delivered in the hood and if available, remove them and keep elsewhere.
- If possible, remove cabin door-free or sliding furnace and draw it aside in order to reach rear wall / ceiling easily. If not possible, cover the bench, furnace or oven with a thick protective cloth in order to secure them against damage and dirt. Select a flat surface for installing the unit. Cover the surface with a protective cloth and place all awninged hood parts and hardware in it.

# Installing your appliance

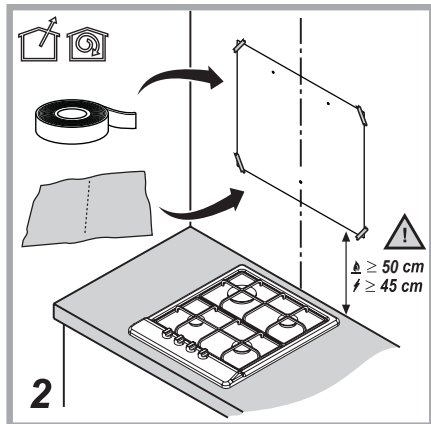
- Besides; check if a plug is available on assembly area of hood (besides, on the accessible area after assembling the hood) and check if connecting the hood to outside (only for the model with aspiration) is possible.
- Finish all required operations related to wall (e.g. plugging power plug and/or leaving a hole for discharge hose).
- Wide dowels are available to enable tightening of hood on a variety of wall/ceiling type. Additionally, conformity of material to wall/ceiling type should be confirmed by a qualified technician. Wall/ceiling should be able to sustain the hood. Do not assemble the device on tile, plaster or silicon surfaces. Assemble it only on to a wall.
- If a panel and/or side wall and/or furniture exist, check that there is sufficient place for assembly of hood and that control panel is easily accessible.
- Information required for the preparation of the installation place for your hood is given below.

## Assembly Preparation of the Hood onto the Wall

Mark the surface where assembly template is going to be hung. (Figure 1)

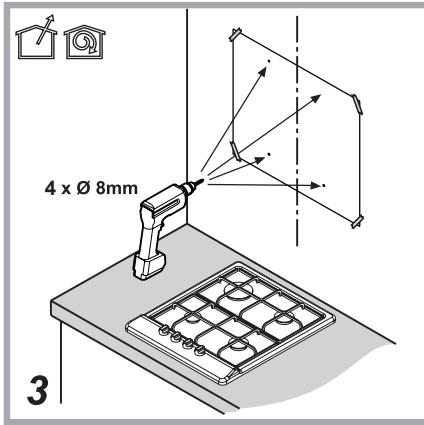


Affix the installation template onto the installation place of the hood. (Figure 2)

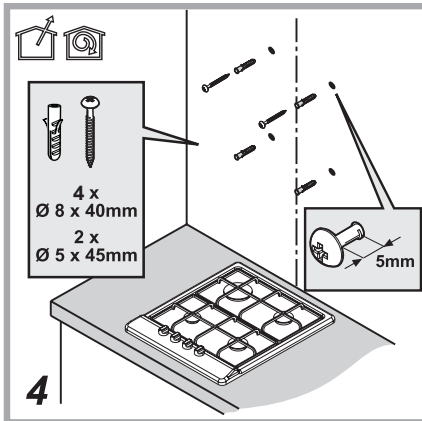


# Installing your appliance

Perforate a hole with  $\varnothing$  8 mm drill on marked points. (Figure 3)



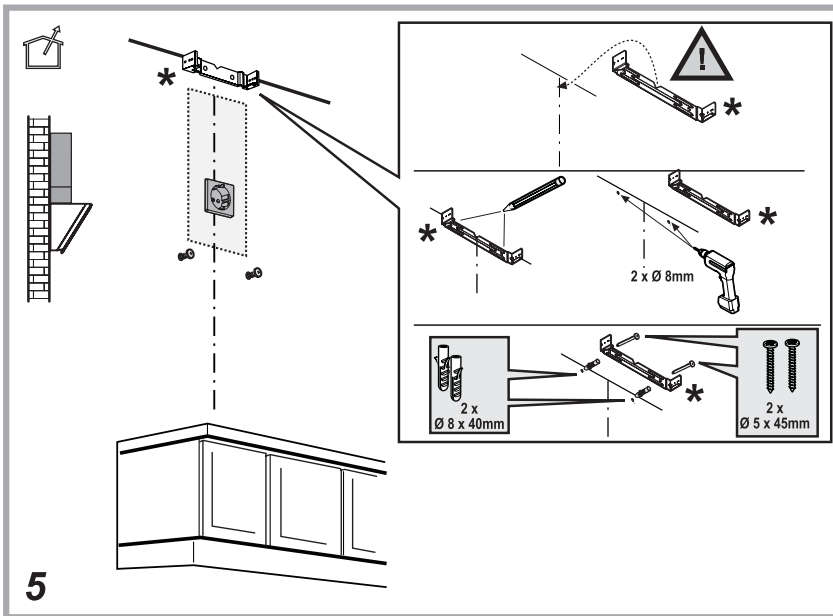
Hammer 3  $\varnothing$  8x40 mm dowels on perforated holes. Screw 2  $\varnothing$  5x45 mm hanging screws to dowels hammered above. There must be a gap of 5 mm between the screw head and the wall. (Figure 4)



# Installing your appliance

## Assembling the hood flue

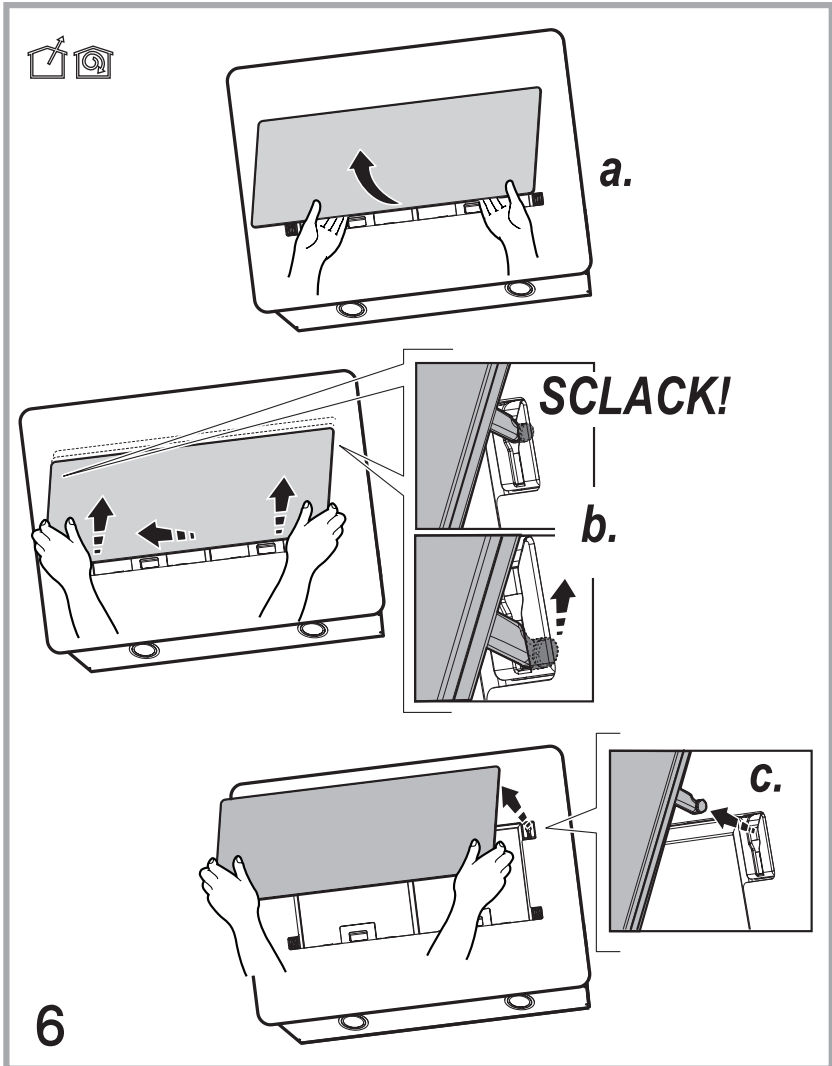
Perforate holes on marked points with  $\text{Ø}8$  mm drill in order to attach flue plate. Hammer 2  $\text{Ø} 8 \times 40$  mm dowels on perforated holes. Screw 2  $\text{Ø} 5 \times 45$  mm hanging screws to dowels hammered. (Figure 5)



# Installing your appliance

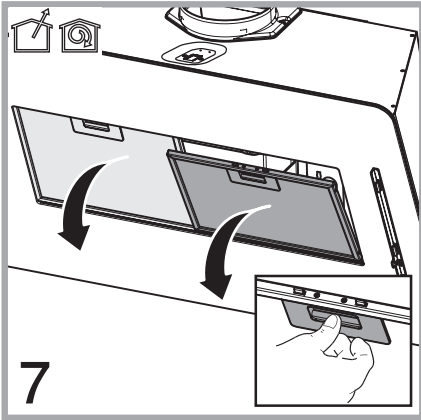
## Assembly of the Hood onto the Wall

Remove front panel to attach the hood onto the wall. (Figure 6)

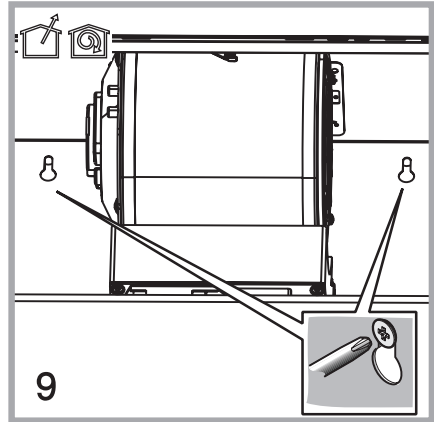


# Installing your appliance

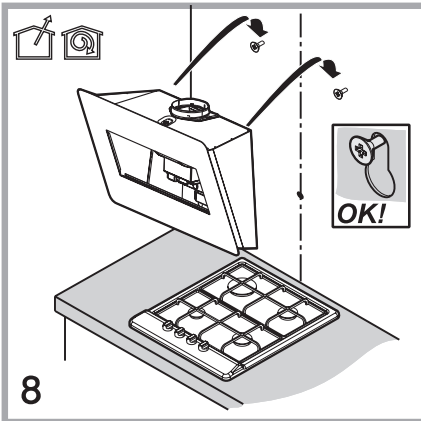
Remove the filters. (Figure 7)



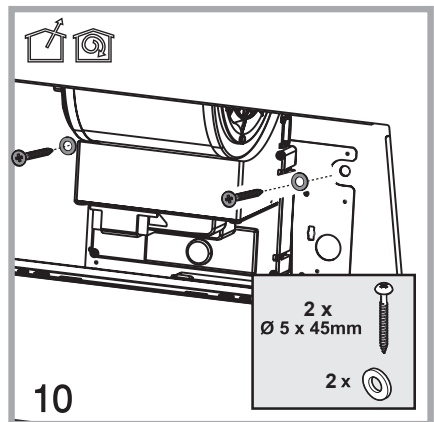
Tighten the screws to fasten the hood. (Figure 9)



Place the hood in a way that screws match with screw heads. (Figure 8)

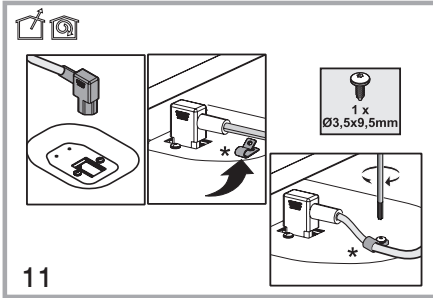


In order to fasten the hood, tighten with  $\varnothing$  5x45 screw using a washer. (Figure 10)

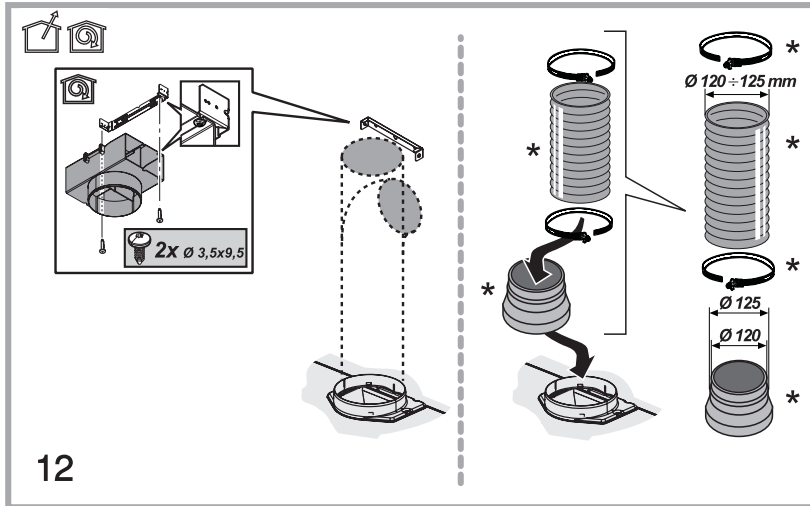


# Installing your appliance

Plug the power outlet. Use  $\emptyset$  3.5x9.5 screw to fasten the cable. (Figure 11)

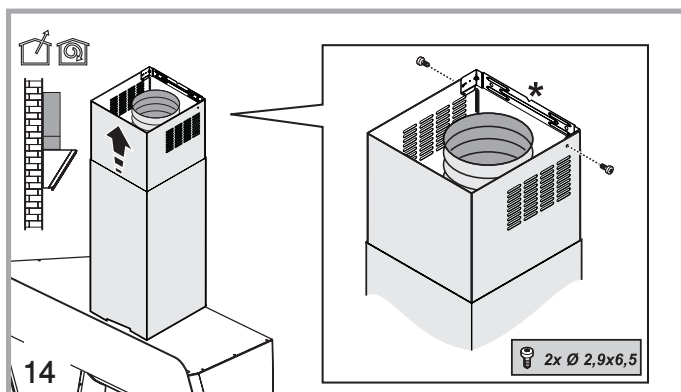
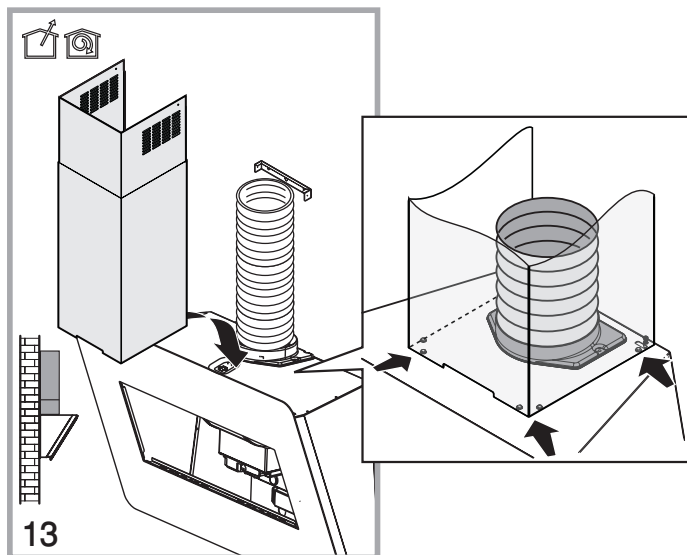


Place flue connection according to figures (Figure 12, 13, 14).





# Installing your appliance

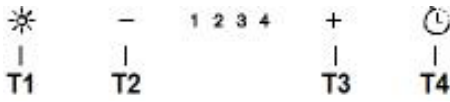


# Installing your appliance

## Operation

Use high suction power if excessive vapour is formed in kitchen. It is recommended that furnace hood suction unit is opened 5 minutes before beginning cooking and is left in operation during and for 15 minutes after cooking.

## Control with levels



### T1. Turning lights on/off (ON/OFF)

### T2. Reducing speed

By pressing "T2" button, speed is reduced from level 4 (dense) to level 1.

By pressing "T2" button as hood runs in level 1, hood is turned off (switched to OFF position).

### T3 Increasing speed

By pressing T3 button, hood switches from OFF position to operation in speed level 1.

By pressing the button (as hood is ON position), the engine is ensured to switch from level 1 to 4 (dense).

Each speed level has a corresponding led light.

Speed level 1 led 1

Speed level 2 led 2

Speed level 3 led 3

Dense speed level led 4 (flashing)

Dense speed level is time adjusted. Standard time adjustment is 5 minutes. At the end of that period, hood switches to speed level 2.

Press T2 button to exit this mode before period set, hood switches to speed level 3.

## T4 Time adjustment of speed levels

Time adjustment of speed levels are ensured by pressing T4 button, when time set ends, hood is turned off automatically.

Timing is below:

1. Speed level - 20 minutes (led 1 flashing)

Speed level 2 - 15 minutes (led 2 flashing)

Speed level 3 - 10 minutes (led 3 flashing)

Speed level 4 - 5 minutes (led 4 flashing)

If T2 button is pressed in timed operating mode, hood leaves timed operating mode and speed level is decreased.

If T3 button is pressed, hood leaves timed operating mode and speed level is increased.

If T4 button is pressed, hood leaves timed operating mode but speed level is maintained without any change.

# Installing your appliance

## Grease filter alarm

After 40 hours of operation, LED 1 starts blinking.

As this alarm emerges, it is time to clean the grease filter.

In order to reset the alarm, press T4 button for 5 seconds.

A "BEEP" sound will be heard and blinking of led 1 will end.

## Charcoal filter alarm

After 160 hours of operation, LED 2 starts blinking.

As this alarm emerges, it is time to change charcoal filter with a new one.

In order to reset the mentioned alarm, press T4 button for 5 seconds.

A "BEEP" sound will be heard and blinking of LED 2 will end.

In the event that both filters sound alarm simultaneously, LED 1 and 2 will blink intermittently.

In that case, alarms can be reset by applying the procedure above.

In first step, charcoal filter alarm will reset while grease filter alarm is reset in second one.

In standard operating mode, charcoal filter alarm is inactive.

In the event when hood with filtration is used, filter charcoal alarm should be activated.

## Activation of charcoal filter alarm

Bring hood to OFF position and press T4 button for 5 seconds.

As the button is pressed, LEDs related to currently active filters will flash.

A "BEEP" sound will be heard and LED 2 will light up.

LED 1 and 2 will light for approximately 2 seconds before hood switches to OFF position.

Deactivation of charcoal filter alarm:

Bring hood to OFF position and press T4 button for 5 seconds.

As the button is pressed, LEDs related to currently active filters will flash.

A "BEEP" sound will be heard and LED 2 will blow out.

LED 1 will be light for approximately 2 seconds before hood switches to OFF position.

## Energy Efficient Usage:

- When operating the hood, adjust the speed level according to the odour and vapour intensity in order to prevent unnecessary power consumption.
- Use low speed levels (1-2) under normal circumstances and high speed levels (3-4) in the event of dense smell and vapour condensation.
- Lights on the hood are intended for illuminating the cooking zone.

# Installing your appliance

Using them to illuminate the ambient/kitchen will result with unnecessary power consumption and inadequate illumination.

## Operating the Hood:

- Hood is equipped with a motor having various speed settings.
- For a better performance, we advise you to use low speeds in normal conditions, and high speeds when smell and vapors are intensified.

- You can operate the hood by pressing desired speed level button.
- You can illuminate the cooking area by pressing the light key. (A)

# Cleaning and maintenance

Prior to cleaning and maintenance, unplug the appliance or turn the main switch off or loosen the fuse that supplies the hood.

## Cleaning

Hood should be cleaned regularly (at least with the same frequency with which you carry out maintenance of the grease filters) internally and externally.

Clean the hood using a warm damp cloth and a neutral liquid detergent.

Do not use abrasive products. DO NOT USE ALCOHOL!

## WARNING !

Failure to carry out the basic cleaning instructions of the hood and replacement of the filters may cause fire.

For this reason, we recommend you to follow mentioned instructions.

Manufacturer cannot be held responsible for engine and fire damage caused by inappropriate maintenance or disobedience of above mentioned safety recommendations.

## Peripheral suction panel

### Maintenance of panel Removing:

- Slide the panel upwards, for a distance of 2 cm;
- Pull the panel to yourself.

### Cleaning:

Suction panel should be cleaned in the same interval of the grease filters.

Clean a damp cloth and a neutral liquid detergent.

Avoid using abrasive products. DO NOT CLEAN WITH ALCOHOL!

# Cleaning and maintenance

## Attaching:

Follow the removal procedure in reverse order.

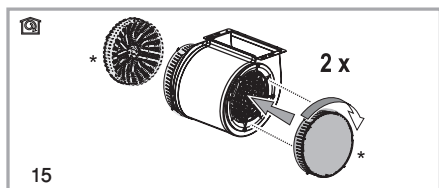
Caution! Be sure that panel is fitted and fastened properly.

## Charcoal filter (filtered models only)

After a long usage period, charcoal filter may be full depending on cooking type and that oil filter is cleaned regularly.

At all events, cartridge should be replaced at least every four months (or when filter fullness indicator system indicates that filter should be replaced if available in the model). (Figure 15)

Charcoal filter cannot be washed and reused.



### Circular charcoal filter

Place one filter next to protection cages of engine propeller, then turn the part clockwise.

For disassembly, turn the part counterclockwise.

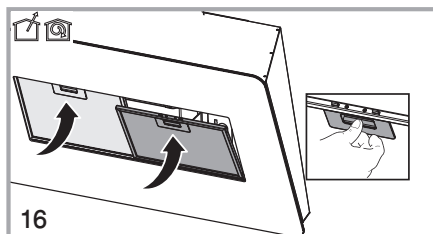
## Grease filter

Retains grease particles caused by cooking procedure.

Grease filter should be cleaned monthly (or filter filling indicator system - if available in purchased model - indicates when it is time) using acid-free detergent by hand or in a dishwasher with low temperature and short spin.

When washed in a dishwasher, color of grease filter may fade slightly, but this does not affect its filtering capacity.

Pull spring release lever in order to remove grease filter. (Figure 16)



## Cleaning

Particularly do not neglect to clean your hood immediately after you have made frying.

Use a soft cloth soaked with liquid detergent to clean the outer surface of your hood.

Never use abrasive or scratching materials for cleaning.

You may use the cleaning agents commercially available for persistent grease etc. by following the warnings on the product. In order not to scratch the brushed steel body, wipe in the same direction with the brush trace.

# Cleaning and maintenance

Do not use cleaning agents containing hydrochloric acid, bleach or abrasive powders in order to maintain the surface quality of your product. Use a cloth dampened in soapy water or special stainless steel cleaning spray for stainless steel surfaces. Remove the protective foil on the appliance.

## **Caution!**

You may cause a fire if you do not follow the instructions on the cleaning and replacement of the filters of your hood.

## **If you need to transport the appliance:**

Keep the original packaging of the appliance. Transport the appliance with its original package, and follow the transport markings on the original package.

## **If you do not have the original package:**

- Do not place any objects on the hood.
- Protect the outer surface from impacts.
- Pack the appliance so that it would not be damaged during transport.

## **Replacing lamps**

### **WARNING!**

Prior to touching the light bulbs, ensure they are cooled down.

For replacing lamps, contact Authorized Service.

# Wichtige Sicherheits- und Umwelanweisungen

Dieser Abschnitt enthält Sicherheitsanweisungen, die beim Schutz vor Personen- und Sachschäden helfen. Bei Nichtbeachtung dieser Anweisungen erlischt die gewährte Garantie.

## 1.1 Allgemeine Sicherheit

- Lassen Sie Installations- und Reparaturarbeiten immer von einem autorisierten Servicedienst durchführen. Der Hersteller übernimmt keine Haftung für Schäden, die von unautorisierten Personen verursacht wurden.
- Dieses Gerät darf nicht von Personen (einschließlich Kindern) benutzt werden, die unter körperlichen oder geistigen Einschränkungen leiden oder denen es an der nötigen Erfahrung im Umgang mit solchen Geräten mangelt. Kinder sollten soweit beaufsichtigt werden, dass sie nicht mit dem Gerät spielen.

## 1.1.1 Elektrische Sicherheit

- Trennen Sie das Gerät bei Installations-, Wartungs-, Reinigungs- und Reparaturarbeiten immer von der Stromversorgung.
- Falls das Netzkabel defekt ist, sollte es vom Hersteller, Kundendienst oder einer ähnlich qualifizierten Person (idealerweise einem Elektriker) bzw. einer vom Importeur genannten Person ersetzt werden.
- Die Betriebsspannung beträgt 220 bis 240 Volt.
- Falls das Gerät einen Fehler aufweist, darf es erst nach Reparatur durch den autorisierten Servicedienst wieder in Betrieb genommen werden. Es besteht Stromschlaggefahr!
- Netzkabel nicht in der Nähe von Kochfeldern verlegen. Andernfalls kann das Netzkabel einen Brand verursachen, da es leicht schmilzt.

# Wichtige Sicherheits- und Umwelanweisungen

- Die Dunstabzugshaube niemals vor Abschluss der Installation an die Stromversorgung anschließen.
- Zur Erzielung optimaler Leistung darf der Abzug nicht länger als 4 m sein. Er darf nicht mehr als 2 rechte Winkel (90 °) zählen und sein Durchmesser muss mind.  $\varnothing$  120 mm betragen.
- Trennen Sie das Gerät vor jeglicher Handhabung der internen Teile des Gerätes von der Stromversorgung.
- Verwenden Sie das Gerät nur mit einer geerdeten Steckdose.
- Beachten Sie behördliche Richtlinien zur Ableitung von Abluft.
- Der Abstand zwischen der Unterkante der Dunstabzugshaube und der Oberkante des Herdes/Ofens sollte nicht weniger als 50 cm bei Gasherden und 45 cm bei Elektroherden betragen.

## 1.1.2 Produktsicherheit

- Sie können ein Rohr mit einem Durchmesser von 120 oder 150 mm am Abluftanschluss der Dunstabzugshaube verwenden.
- Keine Verbindungen zu Schächten herstellen, die mit Öfen, Abluftschächten oder Kaminen mit aufsteigenden Flammen verbunden sind.
- Dunstabzugshaube nicht ohne Aluminiumfilter betreiben; Filter nicht entfernen, während die Dunstabzugshaube in Betrieb ist.
- Lampen der Dunstabzugshaube niemals berühren, wenn sich das Gerät bereits längere Zeit in Betrieb befindet. Die Lampen können heiß sein und Verbrennungen verursachen.
- Vermeiden Sie hohe Flammen unter dem Gerät. Andernfalls können sich im Aluminiumfilter gesammelte Partikel entzünden und einen Brand verursachen.



# Wichtige Sicherheits- und Umwelanweisungen

- Schalten Sie Kochfelder erst ein, nachdem Sie Kochgeschirr darauf gestellt haben. Andernfalls kann die steigende Temperatur bestimmte Teile Ihres Produktes verformen.
- Schalten Sie die Kochfelder ab, bevor Sie das Kochgeschirr herunternehmen.
- Vermeiden Sie entflammbare Materialien unter der Dunstabzugshaube.
- Öl kann sich beim Braten entzünden. Achten Sie daher besonders auf Kleidung und Vorhänge.
- Lassen Sie das Kochgerät niemals unbeaufsichtigt, während Sie braten; heißes Öl kann Feuer fangen.
- Falls die Dunstabzugshaube nicht in den angegebenen Intervallen gereinigt wird, besteht Brandgefahr.
- Seien Sie bei der Reinigung der Dunstabzugshaube extrem vorsichtig, tragen Sie Handschuhe.
- Zur Steigerung der Saugleistung empfehlen wir Ihnen, das Gerät einige Minuten vor Beginn des Kochens oder Bratens in Betrieb zu nehmen.
- Dadurch erhalten Sie eine kontinuierliche und stabile Saugleistung, sobald Küchendünste entstehen.
- Dunstabzugshaube nach Abschluss des Kochens oder Bratens 15 Minuten weiterlaufen lassen, damit Gerüche und Küchendünste entfernt werden.
- Achten Sie bei der Benutzung der Dunstabzugshaube – insbesondere in Verbindung mit Gasherden – auf eine ausreichende Frischluftzufuhr.
- Achten Sie darauf, das Gerät nicht an Abzugschächte anzuschließen, die von nicht elektrischen Geräten verwendet werden. (Bsp.: Heizungschacht)

# Wichtige Sicherheits- und Umwelanweisungen

- Die gleichzeitige Verwendung der Dunstabzugshaube und eines weiteren, Luft ansaugenden Geräts ist nur möglich, wenn ein geringerer Druck von 4 Pa (0,04 mbar) erreicht und dadurch die Resorption des Gases vermieden wird. Dies kann nur dadurch erreicht werden, dass Luft durch nicht abgedeckte Öffnungen (Tür, Fenster, Lüftungsöffnungen oder andere technische Messungen) einströmt. Achten Sie darauf, dass ausreichend Luft zugeführt wird. Ein Schacht, der den Luft- ein- und -austritt ermöglicht, ist für diesen Zweck nicht ausreichend.
- Elektrische Geräte können für Kinder gefährlich sein. Halten Sie Kinder stets vom Produkt fern. Verboten Sie Kindern, mit dem Gerät zu spielen.
- Dieses Gerät kann von Kindern ab 8 Jahren sowie von Personen mit eingeschränkten körperlichen, sensorischen oder geistigen Fähigkeiten oder einem Mangel an Wissen und Erfahrung verwendet werden, sofern sie im Hinblick auf eine sichere Benutzung des Gerätes beaufsichtigt werden oder entsprechend angeleitet wurden und die damit verbundenen Gefahren verstehen. Kinder dürfen nicht mit dem Gerät spielen.

## 1.1.3 Sicherheit von Kindern

- Verpackungsmaterialien können für Kinder gefährlich sein. Bewahren Sie Verpackungsmaterialien an einem sicheren Ort außerhalb der Reichweite von Kindern auf.

**ACHTUNG:** Zugängliche Teile können sich bei der Verwendung mit dem Kochgerät aufheizen.

# Wichtige Sicherheits- und Umwelanweisungen

## 1.2 Zweckmäßiger Gebrauch

- Dieses Gerät ist für den privaten Gebrauch bestimmt. Es eignet sich nicht zum kommerziellen Einsatz und darf nicht zweckentfremdet verwendet werden.
- Der Hersteller haftet nicht für Schäden aufgrund von unsachgemäßer Benutzung oder Handhabung.
- Die Betriebslebenszeit des Gerätes beträgt 10 Jahre. Dies entspricht dem Verfügbarkeitszeitraum von Ersatzteilen, damit das Produkt richtig funktioniert.

**WARNUNG:** Falls Sie die Schrauben nicht entsprechend den Anweisungen in der Anleitung befestigen, können elektrische Gefahren entstehen.

# Wichtige Sicherheits- und Umwelthanweisungen

## 1.3 Technische Daten



Dieses Gerät ist funktionsfähig entsprechend den geltenden EU-Richtlinien.

Dieses Produkt erfüllt die europäischen Richtlinien 2014/53/EU, 2009/125/EC und 2011/65/EU.

Den genauen Wortlaut der Konformitätserklärung (DOC) finden Sie auf der GRUNDIG Homepage [www.grundig.com/download/doc](http://www.grundig.com/download/doc).

Rechte zur Durchführung technischer und optischer Änderungen vorbehalten.

## 1.4 Entsorgung von Altgeräten:

Dieses Produkt erfüllt die Vorgaben der EU-WEEE-Direktive (2012/19/EU). Das Produkt wurde mit einem Klassifizierungssymbol für elektrische und elektronische Altgeräte (WEEE) gekennzeichnet.



Dieses Gerät wurde aus hochwertigen Materialien hergestellt, die wiederverwendet und recycelt werden können. Entsorgen Sie das Gerät am Ende seiner Einsatzzeit nicht mit dem regulären Hausmüll; geben Sie es stattdessen bei einer Sammelstelle zur Wiederverwertung von elektrischen und elektronischen Altgeräten ab. Ihre Stadtverwaltung informiert Sie gerne über geeignete Sammelstellen in Ihrer Nähe.

## Einhaltung von RoHS-Vorgaben:

Das von Ihnen erworbene Produkt erfüllt die Vorgaben der EU-RoHS Richtlinie (2011/65/EU). Es enthält keine in der Richtlinie angegebenen gefährlichen und unzulässigen Materialien.

## 1.5 Informationen zur Verpackung



Die Verpackung des Produkts wurde gemäß unserer nationalen Gesetzgebung aus recyclingfähigen Materialien hergestellt. Entsorgen Sie die Verpackungsmaterialien nicht mit dem Hausmüll oder anderem Müll. Bringen Sie sie zu einer von der Stadtverwaltung bereitgestellten Sammelstelle für Verpackungsmaterial.

# Technische Daten des Gerätes

ENG

DE

SV

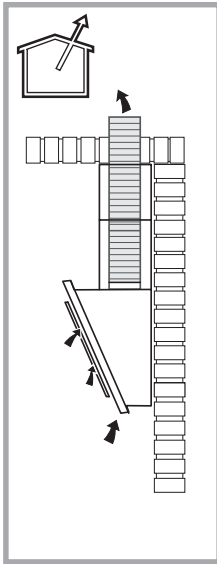
NO

FI

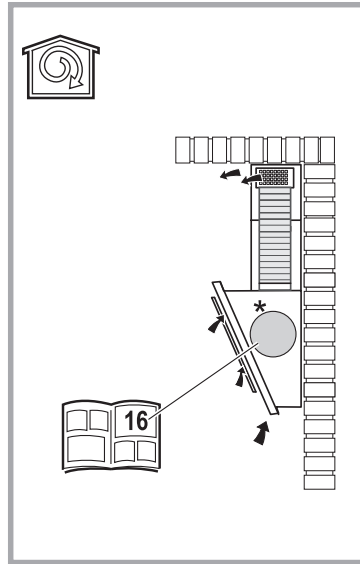
DA


IT

CS



 Verwendung mit Schacht



 Verwendung mit Kohlefilter

Die an Produktetiketten oder in der mitgelieferten Dokumentation angegebenen Werte werden unter Laborbedingungen unter Einhaltung relevanter Standards ermittelt. Diese Werte können je nach Geräteeinsatz und Umgebungsbedingungen variieren.

# Gerät installieren

Bitte kontaktieren Sie einen autorisierten Serviceanbieter in Ihrer Nähe für die Installation des Geräts.

\*Vorbereitung von Installationsort sowie Elektroinstallation des Produktes liegen in der Verantwortung des Kunden.

## **Achtung!**

Nach der Installation Schutzfolie (sofern vorhanden) von Dunstabzugshaube und dem Abzug entfernen.

Der Abstand zwischen der Unterkante der Dunstabzugshaube und der Oberkante des Kochfeldes sollte mindestens 50 cm betragen.

Der elektrische Anschluss sollte von einem qualifizierten Elektriker durchgeführt werden.

Installieren Sie Ihr Gerät so, dass der elektrische Anschluss (Stecker, Steckdose) nach der Installation leicht zugänglich ist.

Alle Abmessungen sind in mm angegeben.

## **Elektroanschluss**

Die Stromversorgung sollte mit den auf der Platte in der Haube angegebenen Werten übereinstimmen. Schließen Sie die Dunstabzugshaube in Übereinstimmung mit den aktuellen Sicherheitsvorkehrungen mit einem Stecker an eine Steckbuchse an und platzieren Sie diese an einem leicht zugänglichen Ort.

Wenn das Gerät nach der Installation nicht über einen Stecker (zur Stromversorgung) verfügen sollte, verwenden Sie einen doppelpoligen Schalter nach den Richtlinien, mit dem ein Abtrennen zur Vermeidung von übermäßigem Fluss der Kategorie III gewährleistet wird.

**Warnung:** Bevor Sie die Haube wieder an die Stromversorgung anschließen und überprüfen, ob diese richtig funktioniert, vergewissern Sie sich, dass der Stecker zur Stromversorgung richtig sitzt.

Die Dunstabzugshaube besitzt einen gesonderten Netzstecker. Falls das Kabel beschädigt ist, kontaktieren Sie den autorisierten Technischen Dienst.

## **Montage**

### **Bevor Sie beginnen:**

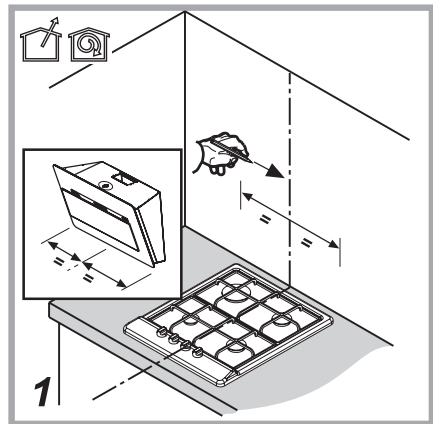
- Überprüfen Sie, dass das erworbene Produkt die richtige Größe für den Ort besitzt, an dem es installiert werden soll.
- Entfernen Sie den Aktivkohlefilter (\*) falls mitgeliefert (siehe auch betreffenden Absatz). Diese(r) wird nur installiert, wenn Sie die Dunstabzugshaube als Modell mit Filter verwenden möchten.
- Überprüfen Sie, ob anderes Material (z.B. Schraubensatz (\*), Garantieschein (\*) usw.) mit der Haube mitgeliefert wurde. Wenn ja, entfernen Sie es und bewahren Sie es an einem anderen Ort auf.

# Gerät installieren

- Ofen mit einem dicken Stofftuch ab, um ihn vor Schmutz und Beschädigungen zu schützen. Wählen Sie zur Installation des Geräts eine ebene Oberfläche. Decken Sie die Oberfläche mit einem Tuch ab und legen Sie alle zusätzlichen Teile der Dunstabzugshaube darauf.
- Prüfen Sie, ob am Montageort der Dunstabzugshaube eine Steckdose zur Verfügung steht (die nach der Montage der Haube erreichbar ist) und ob die Dunstabzugshaube nach außen angeschlossen werden kann (nur für Modelle mit Luftansaugung).
- Beenden Sie alle notwendigen Installationsschritte in Verbindung mit der Wand (z.B. Steckdose anschließen und/oder Loch für den Abzugsschlauch bohren).
- Verschiedene Dübel stehen zur Verfügung, um die Dunstabzugshaube an einer Vielzahl von Wänden/Decken zu befestigen. Zusätzlich sollte die Eignung der Wand und Decke von einem qualifizierten Techniker bestätigt werden. Wand/Decke sollten die Dunstabzugshaube tragen können. Montieren Sie die Haube nicht auf Fliesen, Putzwänden oder Silikonoberflächen. Montieren Sie sie nur an der Wand.
- Wenn es eine Seitenwand und/oder ein Möbelstück gibt, prüfen Sie, ob genügend Platz zur Montage der Dunstabzugshaube zur Verfügung steht und das Bedienfeld leicht erreichbar bleibt.
- Die zur Vorbereitung des Installationsstandortes nötige Information wird nachstehend angegeben.
- Wenn möglich, entfernen Sie den Ofen oder ziehen Sie ihn beiseite, um die Wand oder die Decke besser zu erreichen. Wenn dies nicht möglich sein sollte, decken Sie den Herd bzw.

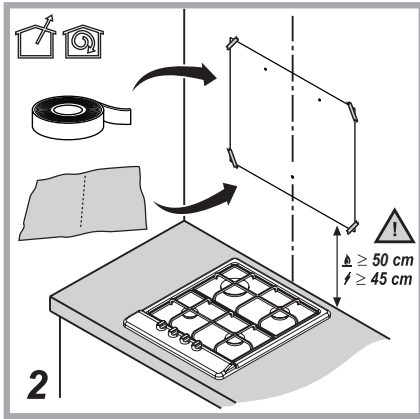
## Vorbereitung für die Montage der Dunstabzugshaube an der Wand

Markieren Sie die Oberfläche, auf der die Montageschablone angebracht werden soll. (Abbildung 1)

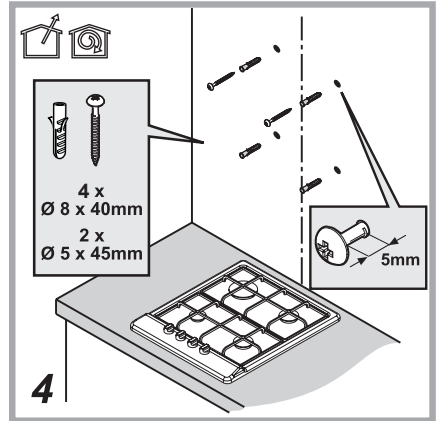


# Gerät installieren

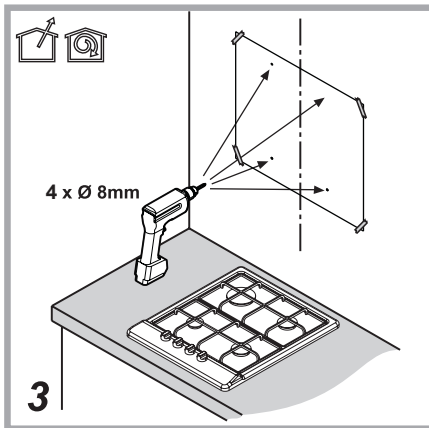
Bringen Sie die Installations-  
schablone am Installationsort  
der Dunstabzugshaube an. (Abbildung  
2)



die Dübel. Zwischen Schraubkopf  
und Wand muss ein Abstand  
von 5 mm eingehalten werden.  
(Abbildung 4)



Bohren Sie ein Loch von Ø 8 mm  
an den markierten Löchern. (Abbildung  
3)



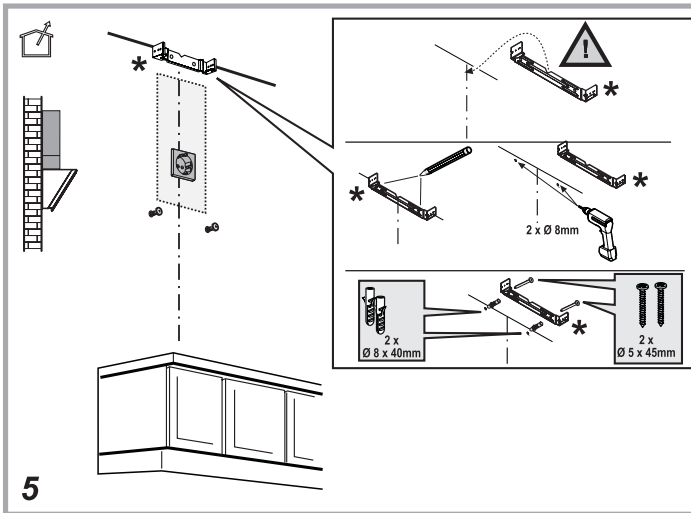
Schlagen Sie 3 Ø 8x40 mm Dübel in  
die gebohrten Löcher ein. Schrauben  
Sie 2 Ø 5x45 mm Schrauben auf



# Gerät installieren

## Montage des Dunstabzugsschachts

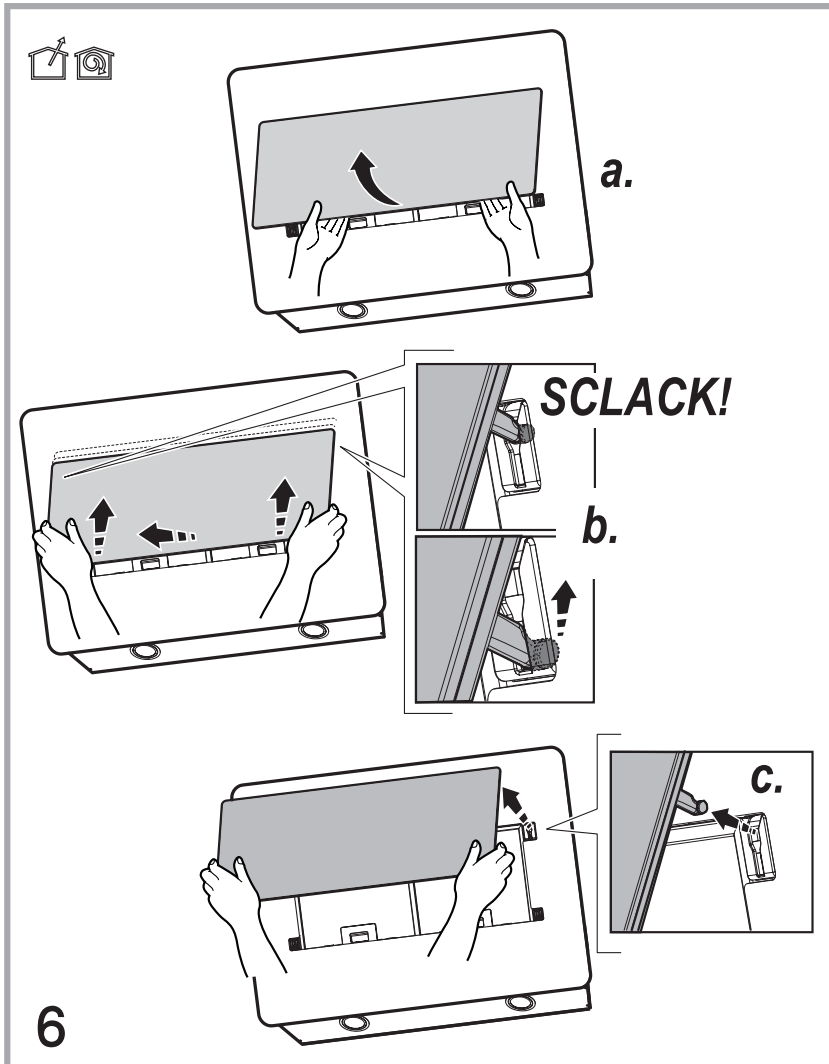
Bohren Sie ein Loch von  $\text{\O} 8 \text{ mm}$  an den markierten Löchern um die Schachtplatte zu befestigen. Schlagen Sie 2  $\text{\O} 8 \times 40 \text{ mm}$  Dübel in die gebohrten Löcher ein. Schrauben Sie 2  $\text{\O} 5 \times 45 \text{ mm}$  Schrauben auf die Dübel. (Abbildung 5)



# Gerät installieren

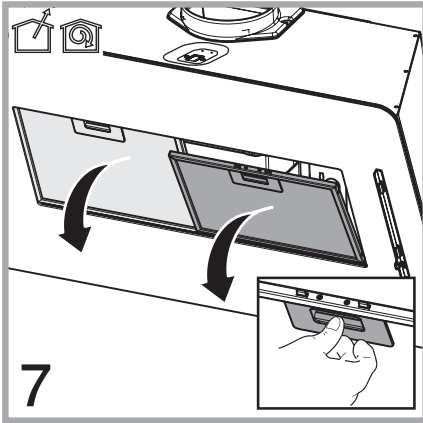
## Montage der Dunstabzugshaube an der Wand

Entfernen Sie die Vorderseite, um die Dunstabzugshaube an der Wand zu befestigen. (Abbildung 6)

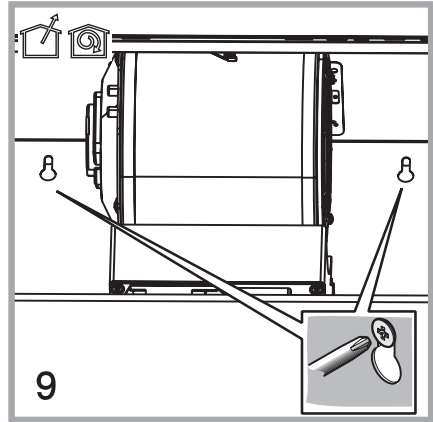


# Gerät installieren

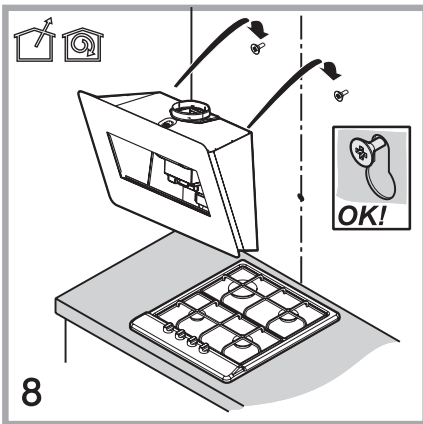
Entfernen Sie die Filter.  
(Abbildung 7)



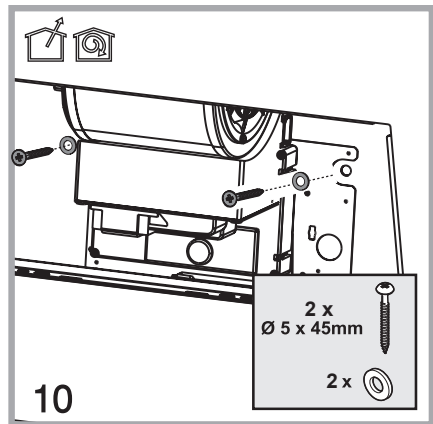
Ziehen Sie die Schrauben fest um  
die Haube zu befestigen.  
(Abbildung 9)



Platzieren Sie die  
Dunstabzugshaube so, dass die  
Schrauben auf die Schraubenköpfe  
passen.  
(Abbildung 8)

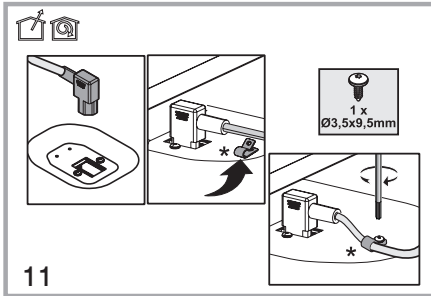


Um die Dunstabzugshaube rich-  
tig fest zu ziehen, ziehen Sie  
die  $\varnothing 5 \times 45$  Schrauben mit einer  
Unterlegscheibe fest. (Abbildung 10)

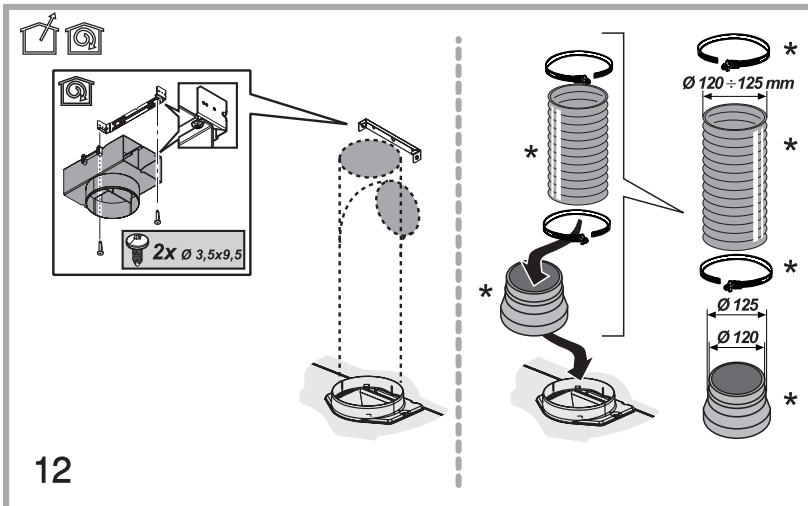


# Gerät installieren

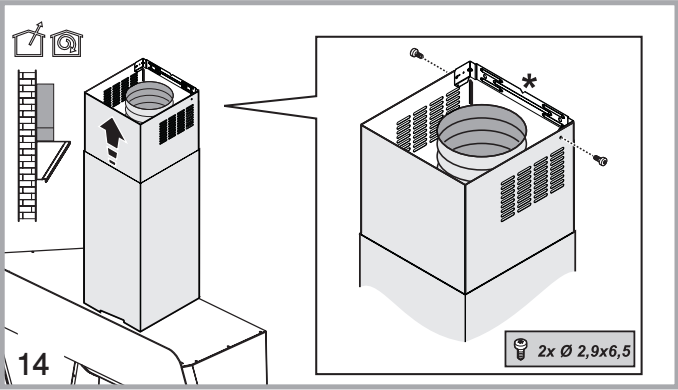
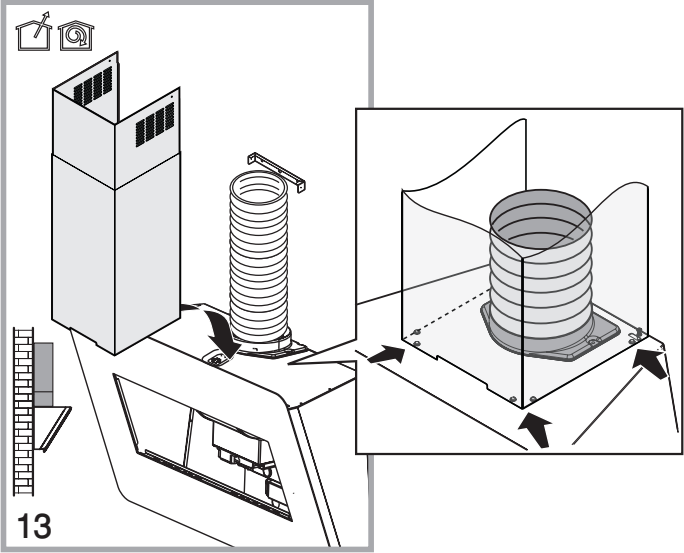
Stecken Sie den Stecker in die Steckdose. Verwenden Sie eine  $\emptyset$  3.5x9.5 Schraube um das Kabel zu befestigen. (Abbildung 11)



Platzieren Sie die Schachtverbindung in Übereinstimmung mit den Abbildungen (Abbildung 12, 13, 14)



# Gerät installieren

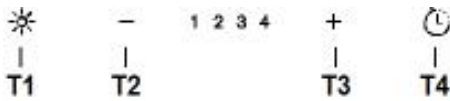


# Gerät installieren

## Bedienung

Arbeiten Sie mit einer erhöhten Abzugsleistung, wenn sich verstärkter Rauch in der Küche bildet. Es wird empfohlen, dass die Dunstabzugshaube 5 Minuten vor Kochbeginn eingeschaltet wird und während des Kochvorgangs und bis zu 15 Minuten nach dem Kochen eingeschaltet bleibt.

## Steuerung der Stufen



### T1. Lampen ein-/ausschalten (ON/OFF)

### T2. Geschwindigkeit reduzieren

Beim Betätigen der Taste „T2“ wird die Geschwindigkeit von Stufe 4 (hoch) auf Stufe 1 verringert.

Wenn die Dunstabzugshaube auf Stufe 1 läuft, wird sie beim Betätigen der Taste „T2“ abgeschaltet (in die OFF-Position geschaltet).

T3 Geschwindigkeit erhöhen

Beim Betätigen der Taste „T3“ schaltet die Dunstabzugshaube von OFF

auf Geschwindigkeitsstufe 1.

Beim Betätigen der Taste (wenn die Haube eingeschaltet ist), schaltet der Motor von Stufe 1 auf Stufe 4 (hoch).

Jede Geschwindigkeitsstufe hat ein entsprechendes LED-Licht.

Geschwindigkeitsstufe 1 LED 1

Geschwindigkeitsstufe 2 LED 2

Geschwindigkeitsstufe 3 LED 3

Hohe Geschwindigkeitsstufe LED 4 (blinkend)

Hohe Geschwindigkeitsstufe ist zeitgeschaltet. Die Standard-Zeitschaltung beträgt 5 Minuten. Am Ende dieser Periode schaltet die Dunstabzugshaube auf Geschwindigkeitsstufe 2.

Betätigen Sie die Taste T2 um den Modus vor dem Zeitraum zu verlassen, die Haube schaltet dann auf Geschwindigkeitsstufe 3.

### T4 Zeitschaltung der Geschwindigkeitsstufen

Die Zeitschaltung der Geschwindigkeitsstufen wird durch Betätigen der Taste T4 gesteuert. Wenn die eingestellte Zeit abgelaufen ist, schaltet sich die Dunstabzugshaube automatisch ab.

Die Zeitschaltung lautet wie folgt:

1. Geschwindigkeitsstufe – 20 Minuten (LED 1 blinkt)

Geschwindigkeitsstufe 2 – 15 Minuten (LED 2 blinkt)

Geschwindigkeitsstufe 3 – 10 Minuten (LED 3 blinkt)

Geschwindigkeitsstufe 4 – 5 Minuten (LED 4 blinkt)

# Gerät installieren

Wenn während der Zeitschaltung die Taste T2 betätigt wird, verlässt die Dunstabzugshaube den Zeitschaltmodus und erhöht die Geschwindigkeit.

Wenn die Taste T3 betätigt wird, verlässt die Dunstabzugshaube den Zeitschaltmodus und erhöht die Geschwindigkeit.

Wenn die Taste T4 betätigt wird, verlässt die Dunstabzugshaube den Zeitschaltmodus und behält die Geschwindigkeit ohne Änderung bei.

## Fettfilteralarm

Nach 40 Stunden Betrieb beginnt LED 1 zu blinken.

Dieser Alarm bedeutet, dass es Zeit ist, den Fettfilter zu reinigen.

Um den Alarm neu einzustellen, drücken Sie die Taste T4 für 5 Sekunden.

Ein „Piep“ ertönt und das Blinken von LED 1 wird eingestellt.

## Kohlefilteralarm

Nach 160 Stunden Betrieb beginnt LED 1 zu blinken.

Dieser Alarm bedeutet, dass es Zeit ist, den Kohlefilter zu wechseln.

Um den Alarm neu einzustellen, drücken Sie die Taste T4 für 5 Sekunden.

Ein „Piep“ ertönt und LED 2 hört zu blinken auf.

Falls der Alarm für beide Filter gleichzeitig einsetzen sollte, blinken LED 1 und 2 abwechselnd.

In diesem Fall können die Alarmer mit Hilfe des zuvor erwähnten Vorgangs zurückgesetzt werden.

Zuerst wird der Kohlefilteralarm zurückgesetzt und daraufhin der Fettfilteralarm.

Im Standard-Betriebsmodus ist der Kohlefilteralarm inaktiv.

Falls die Dunstabzugshaube mit Filter verwendet wird, sollte der Kohlefilteralarm aktiviert werden.

## Aktivierung des Kohlefilteralarms

Schalten Sie die Dunstabzugshaube auf OFF und drücken Sie die T4-Taste 5 Sekunden lang.

Wenn die Taste gedrückt ist, leuchten die LEDs der aktiven Filter auf.

Ein „Piep“ ertönt und LED 2 leuchtet auf.

LED 1 und 2 werden rund 2 Sekunden lang leuchten, bevor die Dunstabzugshaube in die Position OFF schaltet.

Deaktivierung des Kohlefilteralarms:

Schalten Sie die Dunstabzugshaube auf OFF und drücken Sie die T4-Taste 5 Sekunden lang.

Wenn die Taste gedrückt ist, leuchten die LEDs der aktiven Filter auf.

Ein „Piep“ ertönt und LED 2 erlischt.

LED 1 wird rund 2 Sekunden lang leuchten, bevor die Dunstabzugshaube in die Position OFF schaltet.

# Gerät installieren

## Energieeffizienter Einsatz:

- Vermeiden Sie unnötigen Energieverbrauch, indem Sie bei Verwendung der Dunstabzugshaube die Geschwindigkeitsstufe entsprechend der Geruchs- und Dunstintensität anpassen.
- Verwenden Sie die Geschwindigkeitsstufen (1-2) unter normalen Umständen und die hohen Geschwindigkeitsstufen (3-4) im Fall starker Rauch- oder Geruchsentwicklung.
- Die Lampen an der Dunstabzugshaube dienen der Beleuchtung des Garbereichs.

Ihr Einsatz zur Beleuchtung der Umgebung/Küche führt zu unnötigem Energieverbrauch und unangemessener Beleuchtung.

## Bedienung der Dunstabzugshaube:

- Die Dunstabzugshaube ist mit einem Motor mit verschiedenen Geschwindigkeitsstufen ausgestattet.
- Zur Erzielung besserer Leistung sollten Sie unter normalen Bedingungen die geringen Geschwindigkeiten und bei intensiven Gerüchen und Dämpfen die hohe Geschwindigkeit verwenden.
- Sie können die Dunstabzugshaube bedienen, indem Sie die Taste der gewünschten Geschwindigkeitsstufe betätigen.
- Sie können den Garbereich mit der Lichttaste (A) beleuchten.



# Reinigung und Wartung

Denken Sie daran, vor Reinigungs- und Wartungsarbeiten den Netzstecker zu ziehen, den Hauptschalter zu deaktivieren oder die Sicherung der Dunstabzugshaube rauszunehmen.

## Reinigung

Die Dunstabzugshaube sollte regelmäßig (d.h. mit mindesten der selben Häufigkeit, mit der Sie die Fettfilter warten) von innen und außen gereinigt werden.

Reinigen Sie die Dunstabzugshaube mit einem warmen feuchten Tuch und einem neutralen Flüssigreiniger.

Verwenden Sie keine Scheuermittel. VERWENDEN SIE KEINEN ALKOHOL!

## ACHTUNG!

- Werden die grundlegenden Reinigungsanweisungen der Dunstabzugshaube und das Auswechseln der Filter nicht eingehalten, kann Feuer entstehen.

Aus diesem Grund empfehlen wir Ihnen, die erwähnten Anweisungen einzuhalten.

Der Hersteller kann nicht für Feuer oder Schäden zur Verantwortung gezogen werden, die aufgrund unsachgemäßer Wartung oder der Nichteinhaltung der zuvor genannten Sicherheitsvorkehrungen entstanden sind.

## Ansaugblech an der Außenseite

### Wartung des Blechs Entfernen:

- Schieben Sie das Blech 2 cm weit nach oben;
- Ziehen Sie das Blech zu sich heran.

### Reinigen:

Das Ansaugblech sollte in den gleichen Zeiträumen wie die Fettfilter gereinigt werden.

Reinigen Sie es mit einem feuchten Tuch und einem neutralen Flüssigreiniger.

Vermeiden Sie Scheuermittel. NICHT MIT ALKOHOL REINIGEN!

### Anbringen:

Folgen Sie dazu den Anweisungen zum Entfernen des Bleches in umgekehrter Reihenfolge.

Achtung! Vergewissern Sie sich, dass das Blech richtig sitzt und angezogen ist.

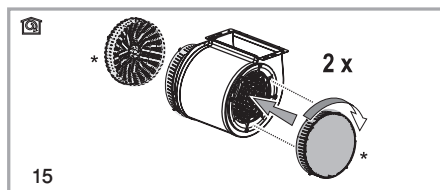
# Reinigung und Wartung

## Kohlefilter (nur bei Modellen mit Filter)

Nach einer langen Verwendungsdauer und in Abhängigkeit der Kochgewohnheiten und ob der Ölfilter regelmäßig gereinigt wird, kann der Kohlefilter voll sein.

In jedem Fall sollte der Kohlefilter alle vier Monate gewechselt werden (oder wenn die Filter-voll-Anzeige anzeigt, dass der Filter gewechselt werden muss). (Abbildung 15)

Der Kohlefilter kann nicht gewaschen und wiederverwendet werden.



### Runder Kohlefilter

Legen Sie einen Filter neben das Schutzgitter des Motorpropeller und drehen Sie das Teil dann in Uhrzeigerrichtung.

Zur Demontage, drehen sie es entgegen dem Uhrzeigersinn.

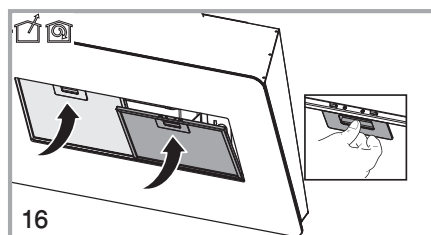
## Fettfilter

Nimmt Fettpartikel auf, die beim Kochen entstehen.

Der Fettfilter sollte jeden Monat (bzw. die Anzeige, falls diese im jeweiligen Modell vorhanden ist, gibt eine Reinigung vor) mit einem säurefreien Reiniger per Hand oder in der Spülmaschine mit geringer Temperatur gereinigt werden.

Wenn er in der Spülmaschine gewaschen wird, kann die Farbe des Fettfilters leicht verblassen. Dies beeinträchtigt nicht dessen Filterleistung.

Ziehen Sie den Federenthebungsriegel um den Fettfilter zu entfernen. (Abbildung 16)



## Reinigung

Keinesfalls vergessen, die Dunstabzugshaube direkt nach dem Braten zu reinigen.

Außenseite der Dunstabzugshaube mit einem mit flüssigem Reinigungsmittel angefeuchteten Tuch reinigen.

Zur Reinigung niemals scheuernde oder kratzende Reiniger verwenden.

# Reinigung und Wartung

Bei der Reinigung mit handelsüblichen Mitteln gegen hartnäckiges Fett etc. die Warnhinweise am Produkt beachten. Zur Vermeidung von Kratzern an Gehäusen aus gebürstetem Stahl in Richtung der Bürstenspuren wischen.

Zur Wahrung der Oberflächenqualität Ihres Produktes keine Reinigungsmittel verwenden, die Chlorwasserstoffsäure, Bleichmittel oder Scheuerpulver enthalten. Für Edelstahloberflächen ein mit Seifenwasser oder speziellem Edelstahl-Reinigungsspray angefeuchtetes Tuch verwenden. Schutzfolie vom Gerät entfernen.

## **Achtung!**

Wenn Sie die Anweisungen zur Reinigung und Auswechslung der Filter Ihrer Dunstabzugshaube nicht einhalten, können Brände entstehen.

## **Wenn Sie das Gerät transportieren müssen:**

Originalverpackung des Gerätes aufbewahren. Gerät mit der Originalverpackung transportieren und Transportmarkierungen an der Verpackung befolgen.

## **Falls die Originalverpackung nicht mehr vorhanden ist:**

- Platzieren Sie keine Gegenstände auf der Dunstabzugshaube.
- Schützen Sie die Außenseite vor Stoßeinwirkungen.
- Verpacken Sie das Gerät so, dass es während des Transports nicht beschädigt wird.

## **Lampen ersetzen**

### **ACHTUNG !**

Bevor Sie die Glühlampen anfassen, sollten Sie sicherstellen, dass diese abgekühlt sind.

Bitte kontaktieren Sie den autorisierten Dienstleister zum Ersetzen der Lampen.

# Viktig säkerhets- och miljöinformation

Det här avsnittet innehåller säkerhetsinstruktioner som hjälper dig att undvika skador på person och egendom. Om du inte följer dessa instruktioner kommer det att göra garantin ogiltig.

## 1.1 Allmän säkerhet

- Låt alltid installation och reparation utföras av den auktoriserade serviceteknikern. Tillverkaren kan inte hållas ansvarig för skador som uppkommit från arbete som utförts av icke auktoriserade personer.
- Enheten är inte avsedd för användning av personer (inklusive barn) med nedsatt fysisk, sensorisk eller mental funktion, eller med brist på erfarenhet och kunskaper. Barn bör övervakas för att säkerställa att de inte leker med enheten.

### 1.1.1. Elsäkerhet

- Produkten måste kopplas ur från strömkällan under installation, underhåll, rengöring och reparation.
- Om strömkabeln skadas måste den bytas av tillverkaren, service eller liknande kompetent, kvalificerad person (företrädesvis en elektriker) eller av en person som definieras av importörsfirman.
- Driftspänningen är 220 - 240 volt.
- Om produkten är behäftad med fel får den inte användas om den inte repareras av det behöriga serviceombudet. Du kan få en elektrisk stöt!
- Dra inte strömkabeln nära hällar. Annars kan strömkabeln orsaka brand, eftersom den lätt smälter ner.
- Koppla aldrig in fläkten innan installationen är slutförd.

# Viktig säkerhets- och miljöinformation

- För att få bästa prestanda, får strömkablen inte vara längre än 4 m. Den får inte innehålla mer än 2 vinkelräta (90 °) vinklar och dess diameter skall vara min. Ø120 mm.
- Koppla ur apparaten innan något ingripande till de inre delarna av apparaten.
- Använd bara apparaten i ett jordat uttag.

## 1.1.2 Produktsäkerhet

- Du kan använda ett rör med en diameter på 120 mm på fläktens rökrör-sanslutning.
- Gör inga anslutningar till rökkanaler i samband med spisar, avgasaxlar eller rökkanaler med stigande lågor. Följ de regler som fastställts av myndigheter gällande utsläpp av frånluft.
- Höjden mellan den nedre ytan på fläkten och ugnens ovansida får inte understiga 65 mm för gashällar och 50 cm för elhällar.
- Använd inte fläkten utan aluminiumfilter och ta inte bort filtren när den används.
- Rör aldrig vid fläktens lampa efter att den använts en längre tid. Heta lampor kan bränna dina händer.
- Undvik stora lågor under produkten. Annars kan partiklar i oljefiltret flamma upp och orsaka brand.
- Slå på plattorna efter att du ställt kastruller eller pannor på dem. Annars kan den stigande temperaturen göra att vissa av produktens delar blir deformerade.
- Stäng av plattorna innan du tar bort kastruller eller pannor.
- Undvik antändbara material under fläkten.
- Olja kan användas när du steker mat. Var därför försiktig med textilier och gardiner.

## Viktig säkerhets- och miljöinformation

- Lämna aldrig spisen obevakad när du steker mat, eftersom olja kan flamma upp och antändas.
- Det finns risk för brand om din fläkt inte rengörs i de angivna perioderna.
- Var ytterst försiktig och använd handskar vid rengöring av fläkten.
- Vi råder dig att använda apparaten några minuter innan du börjar laga mat för att öka sugeffekten. Du bör därför ha en kontinuerlig och stabil sugeffekt när ångorna uppstår.
- Driv din fläkt i 15 minuter till efter att du slutat laga eller steka mat för att få bort matosen i köket.
- När fläkten används, särskilt tillsammans med gasspisar, bör du se till att omgivningen ventileras med ren luft.
- Var uppmärksam på att inte ansluta apparaten till rökkanaler som används av icke-elektriska apparater. (t.ex.: Värmarens rökkanal).
- Samtidig och smidig drift av fläkten och en annan enhet som kräver luft är endast möjlig när ett lägre tryck på 4 Pa (0,04 mbar) uppnås och reabsorption av gasen undviks med detta. Detta kan endast uppnås med hjälp av luft som kommer in från öppningar utan lock (dörr, fönster, ventilationsöppningar eller andra tekniska mätningar). Var ytterst noggrann att tillhandahålla tillräckligt med luft. En rökkanal som ger luft inträngning/utträde är inte tillräckligt för den här åtgärden.

# Viktig säkerhets- och miljöinformation

ENG

DE

SV

NO

FI

DA

IT

CS

## 1.1.3 Säkerhet för barn

- Emballaget är farligt för barn. Förvara emballaget på en säker plats utom räckhåll för barn.
- Elektriska produkter är farliga för barn. Håll barn borta från produkten. Låt inte barn leka med enheten.
- Den här utrustningen kan användas av barn över 8 år och av personer som har begränsad fysisk, sensorisk eller mental förmåga eller som saknar kunskaper och erfarenhet, under förutsättning att de övervakas avseende säker produktanvändning eller att de fått tillräckliga instruktioner eller förståelse kring riskerna med att använda produkten. Barn får inte leka med apparaten.

**VAR FÖRSIKTIG:** Tillgängliga delar kan bli varma när de används med en matlagningsanordning.

## 1.2 Avsedd användning

- Denna enhet är endast avsedd för hemmabruk. Den är inte lämplig för kommersiellt bruk och får inte användas utom vid den avsedda användningen.
- Tillverkaren ansvarar inte för någon skada som orsakas av felaktig användning eller felhantering.
- Servicetiden för produkten är 10 år. Detta är den tid som krävs för tillgång på reservdelar till fungerande produkt.

**VARNING:** Om inte skruvarna skruvas i i enlighet med instruktionerna som ges i handboken kan det leda till elsäkerhetsrisker.

# Viktig säkerhets- och miljöinformation

## 1.3 Tekniska data



Denna produkt överensstämmer med EU-direktiverna 2014/53/EU, 2009/125/EC och 2011/65/EU.

Du kan se CE-deklarationen om överensstämmelse för enheten i pdf-format på Grundigs hemsida [www.grundig.com/download/doc](http://www.grundig.com/download/doc).

Rättigheter att göra tekniska och konstruktionsändringar är reserverade.

## 1.4 Efterlevnad av WEEE-direktivet och kassering av den förbrukade produkten:

Den här produkten uppfyller kraven enligt EU:s WEEE-direktiv (2012/19/EU). Den här produkten bär en klassificeringssymbol för elektriskt och elektroniskt avfall (WEEE).



Den här produkten har tillverkats av högkvalitativa delar och material som kan återanvändas och återvinnas. Släng den därför inte bort med vanligt hushållsavfall i slutet av dess livslängd. Ta den till en återvinningsstation för elektrisk och elektronisk utrustning. Kontakta dina lokala myndigheter för information om dessa insamlingscenter.

## Efterlevnad av RoHS-direktiv

Produkten du har köpt uppfyller kraven för EU:s RoHS-direktiv (2011/65/EU). Den innehåller inte skadliga och förbjudna material som specificerats i direktivet.

## 1.5 Förpackningsinformation



Förpackningen för din produkt är tillverkad av återvinningsbart material i enlighet med nationella miljöföreskrifter. Kasta inte förpackningsmaterial i hushållsavfall eller annat liknande avfall. Ta dem till ett insamlingsställe för förpackningsmaterial som anvisas av de lokala myndigheterna.



# Tekniska data

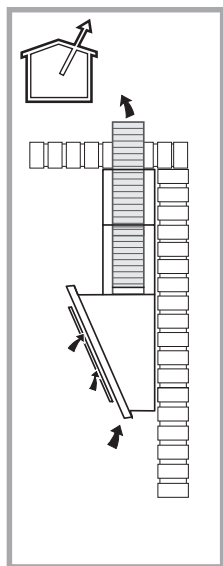
ENG

DE

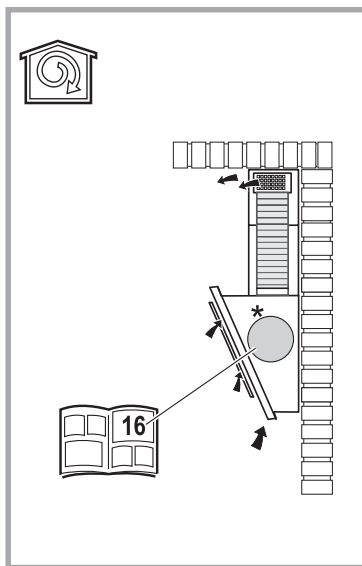
SV


NO

FI



 Användning med fläkt



 Användning med kolfilter

Värden på produktetiketter och i medföljande dokumentation är hämtade från laboratorieförhållanden i enlighet med relevanta standarder. Dessa värden kan variera beroende på produktanvändning och omgivande förhållanden.

# Installation av enheten

Kontakta närmaste auktoriserade service för installation av fläkten.

\*Förberedelse av platsen och elinstallationen för produkten är under kundens ansvar.

## Var försiktig!

Ta bort skyddsfilmerna (om de finns) på fläkten och rökkanalen efter installationen.

Höjden mellan den nedre ytan på fläkten och ugnens ovansida får inte understiga 50 mm.

Låt en behörig elektriker installera elsystemet.

Installera apparaten så att du kan nå strömanslutning (stickpropp, utlopp) lätt efter installationen.

Alla mått anges i mm.

## Elanslutning

Huvudspänningen bör uppfylla de värden som anges på skylten i fläkten. Anslut flätkåpan till ett eluttag enligt gällande bestämmelser med hjälp av en kontakt och placera den i ett tillgängligt område. Efter installation; Om enheten inte har en plugg (direkt nätspänning anslutning) eller kontakten är utom räckhåll, använd en dubbel-polig brytare i linje med normer, som möjliggör urkoppling av nätkabeln under omständigheter i länk med för stort flöde kategori III.

**Warning:** Innan du ansluter fläkten till huvudströmkällan och kontrollerar om den fungerar korrekt, se till att huvudströmkällans kontakt är korrekt anslutet.

Fläkten har en speciell strömkontakt, om kabeln är skadad; kontakta auktoriserad teknisk service.

## Montering

### Innan du börjar:

- Kontrollera att produkten du köpt har lämplig storlek för monteringsområdet.
- Ta bort det aktiva kol (\*) filtret om det tillhandahålls (se även relativ paragraf). Det / de bör endast monteras om du önskar använda fläkten som en filtrerad modell.
- Kontrollera om något annat material (t.ex. skruvpaket (\*), garantikort (\*) etc.) levereras i fläkten och om sådana finns, ta bort dem och behåll dem annanstans.
- Om möjligt, ta bort kabindörr-fria eller glidande ugnen och dra den åt sidan för att nå bakre vägg / tak lätt. Om det inte är möjligt, täck bänken, pannan eller ugnen med ett tjockt skyddande duk för att säkra dem mot skador och smuts. Välj en plan yta för installation av enheten. Täck ytan med ett skyddande tyg och placera alla fläkt delar och hårdvara i det.
- Dessutom; kontrollera om en kontakt finns tillgänglig i fläktens monteringsområde (dessutom, i det åtkomliga området efter montering av fläkten) och kontrollera om anslutning av fläkten till utsidan (endast för modellen med aspiration) är möjlig.

# Installation av enheten

- Avsluta alla nödvändiga åtgärder som är kopplade till väggen (t.ex. anslutning av kontakten och / eller lämna ett hål för utloppsslangen).

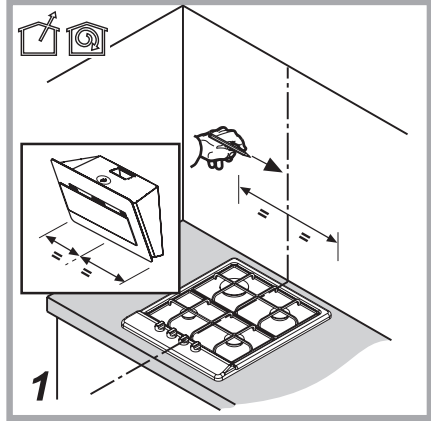
Breda dymlingar finns tillgängliga för att möjliggöra åtstramning av fläkten på en mängd olika vägg / tak typer. Dessutom bör överensstämmelse av material till vägg / tak typ bekräftas av en kvalificerad tekniker. Väggen / taket bör kunna upprätthålla fläkten. Montera inte enheten på kakel, gips eller kiseltylor. Montera den endast på en vägg.

Om en panel och / eller sidovägg och / eller möbler finns, kontrollera att det finns tillräckligt med plats för montering av fläkten och att kontrollpanelen är lättillgänglig.

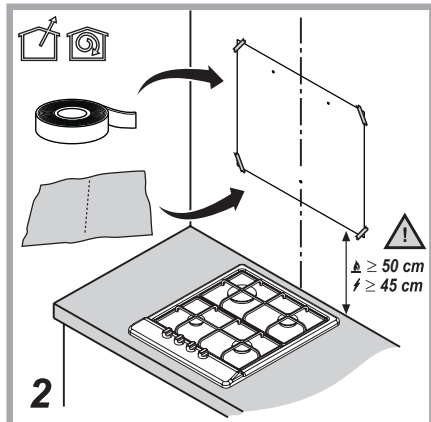
Nedan ges den information som krävs för förberedelse av installationsplatsen för fläkten.

## Förberedelser för montering av fläkten på väggen

Markera ytan där monteringsmallen ska fixeras. (Bild 1)

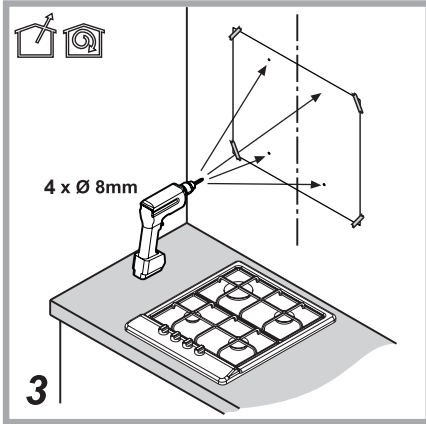


Fäst installationsmallen på fläktens installationsplats. (Bild 2)

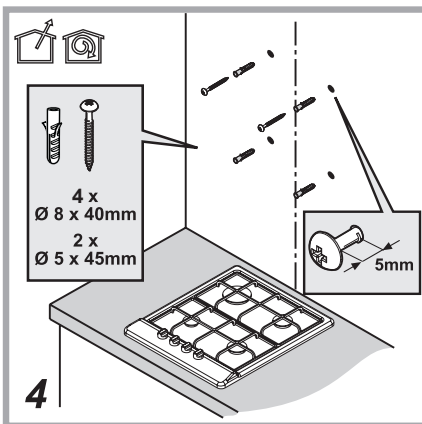


# Installation av enheten

Perforera ett hål med en  $\varnothing$  8 mm borr på de markerade punkterna. (Bild 3)



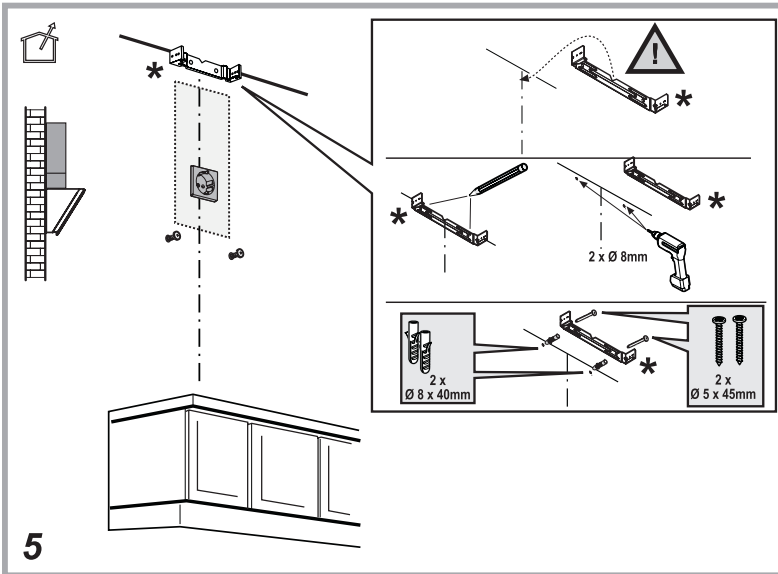
Hamra 3  $\varnothing$  8x40 mm dymlingar på de perforerade hålen. Skruva 2  $\varnothing$  5x45 mm hängande skruvar på dymlingarna som hamrades ovan. Det måste finnas ett mellanrum på 5 mm mellan skruvhuvudet och väggen. (Bild 4)



# Installation av enheten

## Montering av fläktens rökkanal

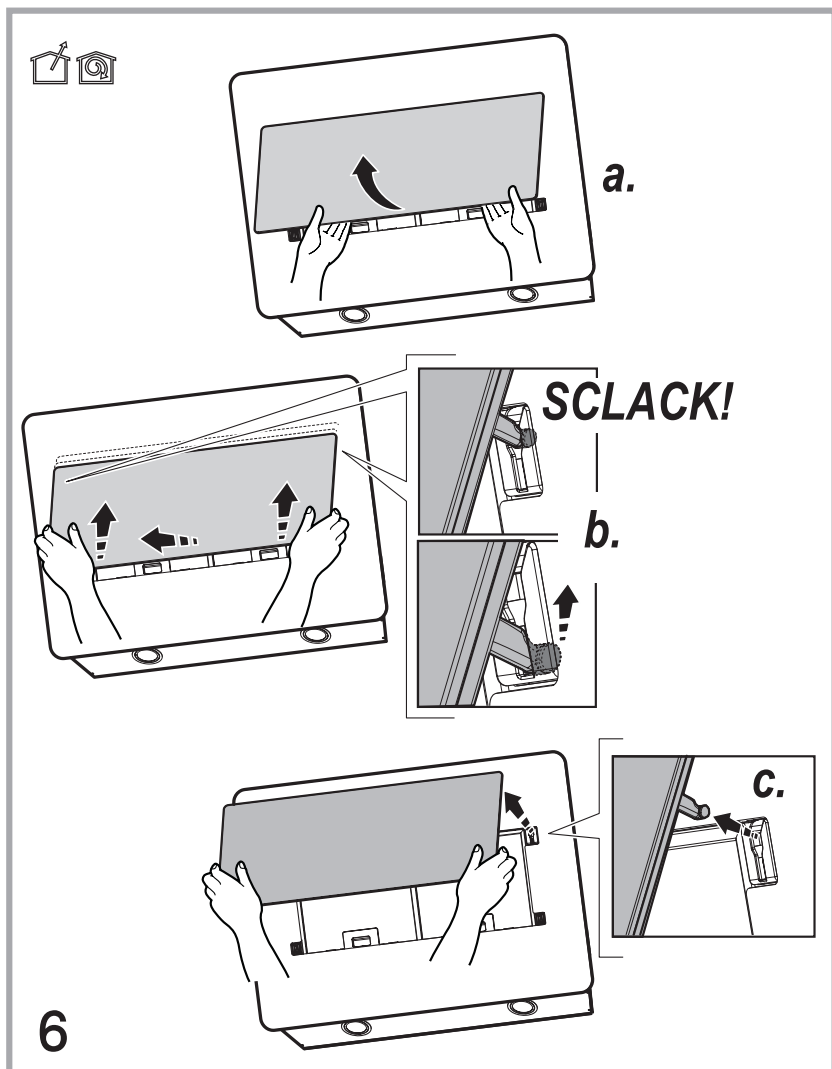
Perforera hål på de markerade punkterna med  $\text{\O}8$  mm borrh för att fästa rökkanalens platta. Hamra 2  $\text{\O}8 \times 40$  mm dymlingar på de perforerade hålen. Skruva 2  $\text{\O}5 \times 45$  mm hängande skruvar på dymlingarna som hamrades ovan. (Bild 5)



# Installation av enheten

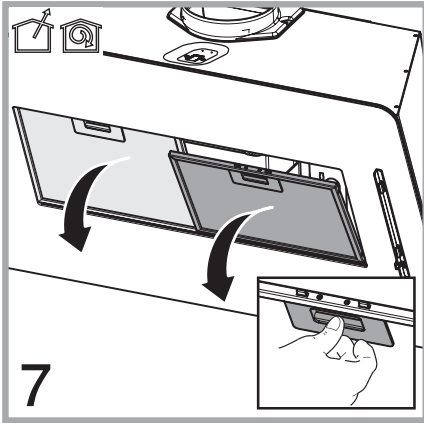
## Förberedelser för montering av fläkten på väggen

Ta bort frontpanelen för att fästa  
fläkten på väggen. (Bild 6)

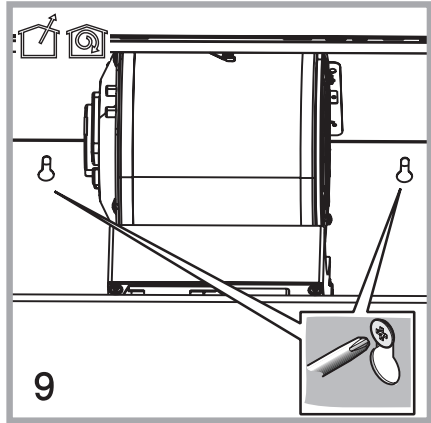


# Installation av enheten

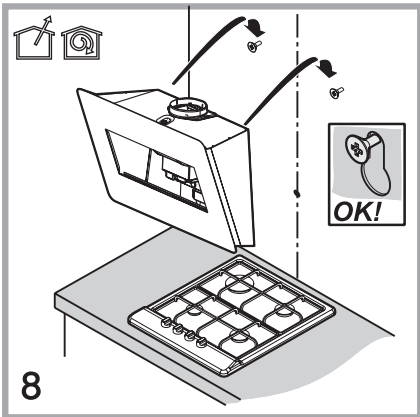
Ta bort filtren. (Bild 7)



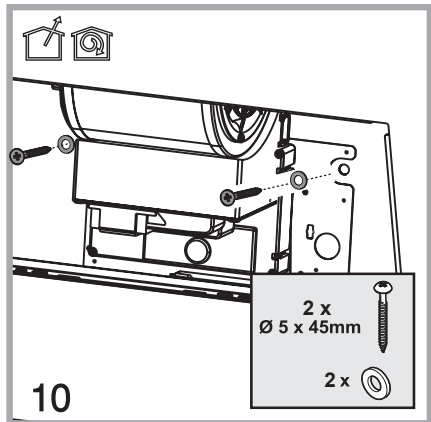
Spänn åt skruvarna för att fästa fläkten. (Bild 9)



Placera fläkten så att skruvarna matchar med skruvskallarna. (Bild 8)

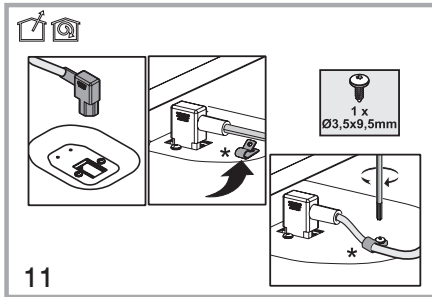


För att fästa fläkten, dra åt med  $\varnothing$  5x45 skruven med en bricka. (Bild 10)

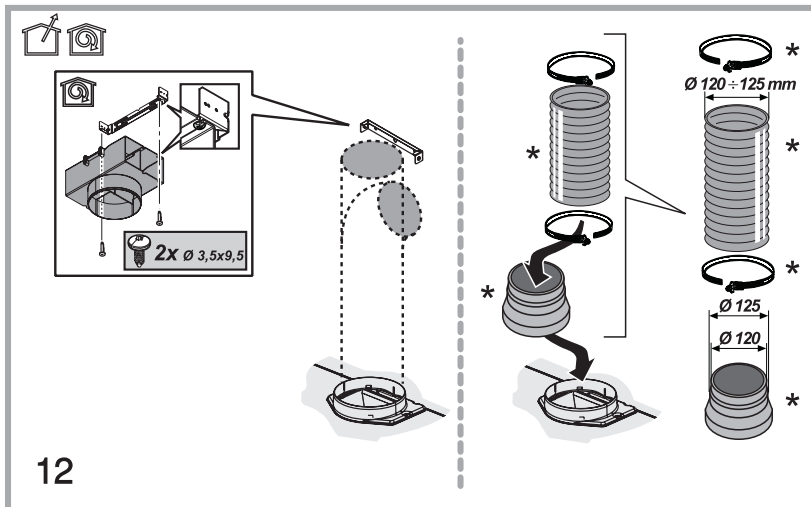


# Installation av enheten

Koppla in strömledningen i vägguttaget. Spänn åt  $\varnothing 3,5 \times 9,5$  skruven för att fästa kabeln. (Bild 11)



Placera rökrörsanslutningen enligt bilderna (Bild 12, 13, 14).





# Installation av enheten

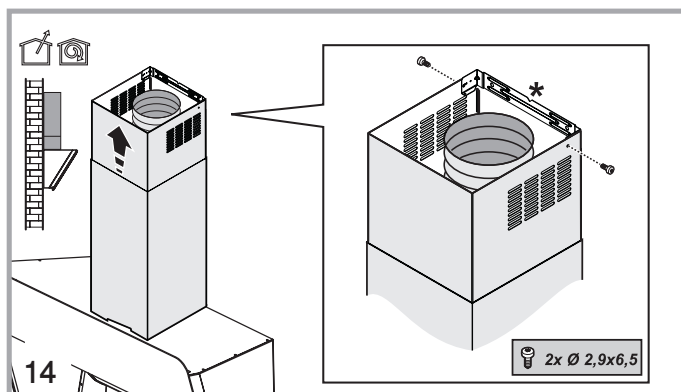
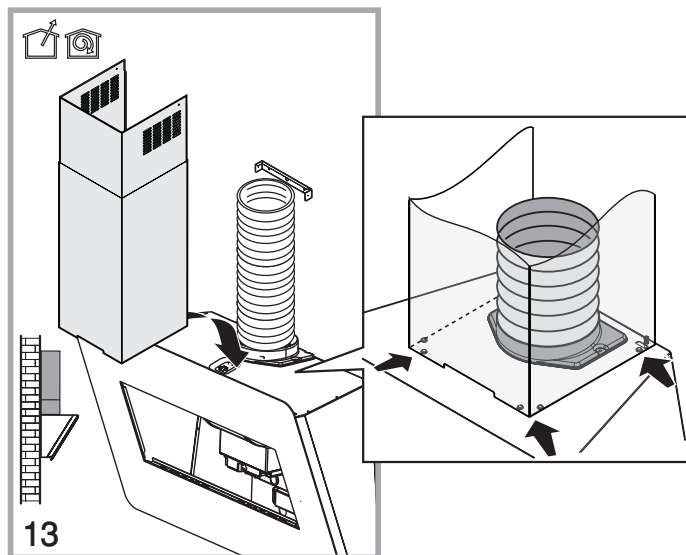
ENG

DE

SV

NO

FI



# Användning av enheten

## Användning

Använd hög sugeffekt om för mycket ånga bildas i köket. Det rekommenderas att ugnsläktens sugenhet öppnas 5 minuter innan matlagning och fortsätter fungera under matlagningen och i 15 minuter därefter.

## Kontrollera med nivåer



### T1. Slå på/av ljus (ON/OFF)

### T2. Minska hastigheten

Genom att trycka på "T2" knappen, minskar du hastigheten från nivå 4 (kompakt) till nivå 1.

Genom att trycka på "T2" knappen, medan fläkten körs i nivå 1, avstängs fläkten (bytes till läge OFF).

### T3 Öka hastigheten

När du trycker på T3 knappen växlar fläkten från OFF

till användningsläge i hastighetsnivån 1.

Genom att trycka på knappen (när fläkten är i läge ON), garanteras att motorn växlar från nivå 1 till 4 (kompakt).

Varje hastighetsnivå har ett motsvarande LED-ljus.

Hastighetsnivå 1 LED 1

Hastighetsnivå 2 LED 2

Hastighetsnivå 3 LED 3

Kompakt hastighetsnivå LED 4 (blinkande)

Kompakt hastighetsnivå är tidsjusterad. Standardtidsinställning är 5 minuter. I slutet av denna period, växlar fläkten till hastighetsnivå 2.

Tryck på T2-knappen för att lämna detta läge innan perioden är över, fläkten växlar till hastighetsnivå 3.

## T4 Tidsinställning av hastighetsnivåerna

Tidsinställning av hastighetsnivåerna säkerställs genom att trycka på T4-knappen, när den inställda tiden tar slut, stängs fläkten av automatiskt.

Tidsinställningen finns här nedan:

1. Hastighetsnivå 1 - 20 minuter (LED 1 blinkar)

Hastighetsnivå 2 - 15 minuter (LED 2 blinkar)

Hastighetsnivå 3 - 10 minuter (LED 3 blinkar)

Hastighetsnivå 4 - 5 minuter (LED 4 blinkar)

Om T2-knappen trycks in i tidsinställt driftläge, avslutar fläkten det tidsinställda driftläget och hastighetsnivån sänks.

Om T3-knappen trycks in, avslutar fläkten det tidsinställda driftläget och hastighetsnivån öks.

Om T4-knappen trycks in, avslutar fläkten det tidsinställda driftläget men hastighetsnivån förblir densamma.

# Användning av enheten

## Fettfilterlarm

Efter 40 timmars drift, börjar LED 1 blinka.

När detta larm framkommer, är det dags att rengöra fettfiltret.

För att återställa larmet, tryck på T4-knappen i 5 sekunder.

Ett "BIP" ljud hörs och LED 1 slutar blinka.

## Kolfilterlarm

Efter 160 timmars drift, börjar LED 2 blinka.

När detta larm framkommer, är det dags att byta ut kolfiltret till ett nytt.

För att återställa larmet, tryck på T4-knappen i 5 sekunder.

Ett "BIP" ljud hörs och LED 2 slutar blinka.

I händelse av att båda filterlarmen hörs samtidigt, blinkar LED 1 och 2 intermittent.

I så fall kan larmen återställas genom att tillämpa proceduren ovan.

I första steget kommer kolfilterlarmet återställs medan fettfilterlarmet återställs i det andra.

In standard driftläge, är kolfilterlarmet inaktivt.

När en fläkt med filtrering används bör kolfilterlarmet aktiveras.

## Aktivering av kolfilterlarmet

Sätt fläkten på OFF och tryck på T4-knappen i 5 sekunder.

När du trycker på knappen, blinkar det LED som gäller för det aktiva filtret.

Ett "BIP" ljud hörs och LED 2 tänds.

LED 1 och 2 lyser i ca 2 sekunder innan fläkten växlar till OFF läge.

Avaktivering av kolfilterlarmet

Sätt fläkten på OFF och tryck på T4-knappen i 5 sekunder.

När du trycker på knappen, blinkar det LED som gäller för det aktiva filtret.

Ett "BIP" ljud hörs och LED 2 tänds.

LED 1 lyser i ca 2 sekunder innan fläkten växlar till OFF läge.

## Energieffektiv användning:

- Vid drift av fläkten, justera hastighetsnivån i enlighet med intensiteten av lukt och ånga för att undvika onödig strömförbrukning.
- Använd låga hastigheter (1-2) under normala förhållanden och höga hastigheter (3-4) i händelse av stark lukt och kondens av ånga.
- Lamporna på fläkten är avsedda för belysning av kokzonen.

När du använder dem för att lysa upp omgivningen / köket kommer det att resultera i onödig strömförbrukning och otillräcklig belysning.

# Användning av enheten

## Användning av fläkten:

- Fläkten är utrustad med en motor med olika hastighetsinställningar.
- För bättre prestanda rekommenderar vi att du använder låga hastigheter under normala förhållanden och höga hastigheter när rök och ångor intensifieras.
- Du kan använda fläkten genom att trycka på knappen för önskad hastighetsnivå.
- Du kan belysa matlagingsområdet genom att trycka på ljusknappen. (A)

# Underhåll och rengöring

Innan rengöring och underhåll, dra ur kontakten eller slå av huvudströmbrytaren eller lossa säkring-  
en som levererar fläkten.

## Rengöring

Fläkten bör rengöras regelbundet (med minst samma frekvens som för underhåll av fettfiltren) internt och externt.

Rengör fläkten med en varm fuktig trasa och neutralt flytande diskmedel.

Använd inte några material med slipeffekt. ANVÄND INTE ALKOHOL!.

### VARNING!

- Underlåtenhet att genomföra grundläggande rengöringsanvisningarna för fläkten och filterbyte kan orsaka brand.

Därför rekommenderar vi dig att följa nämnda instruktioner.

Tillverkaren kan inte hållas ansvarig för motor och brandskador som orsakas av olämpligt underhåll eller olydnad av ovan nämnda säkerhetsrekommendationer.

## Kringutrustning av sugpanelen

### Underhåll av panel

#### Borttagning:

- Skjut panelen uppåt, på ett avstånd av 2 cm;
- Dra panelen mot dig.

## Rengöring

Sugpanelen bör rengöras lika regelbundet som fettfiltren.

Rengör med en varm fuktig trasa och neutralt flytande diskmedel.

Undvik produkter med slipeffekt. RENGÖR INTE MED ALKOHOL!

### Fästning:

Följ borttagningsproceduren i omvänd ordning.

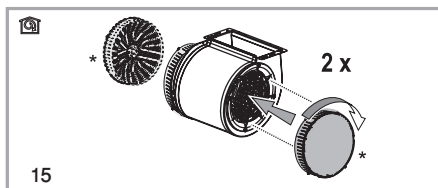
Var försiktig! Se till att panelen är ordentligt monterad och fäst.

### Kolfilter (endast modeller med filter)

Efter en lång användningsperiod, kan kolfiltret vara fullt beroende på typen av matlagning och att oljefiltret rengörs regelbundet.

Under alla omständigheter bör patronen bytas minst var fjärde månad (eller när filtrets fullhet indikator indikerar att filtret ska bytas om det finns i modellen). (Bild 15)

Kolfilter kan inte tvättas och återanvändas.



### Cirkulärt kolfilter

Placera ett filter intill skyddsburarna för motor propellerna, vrid sedan delen medurs.

# Underhåll och rengöring

För demontering, vrid delen moturs.

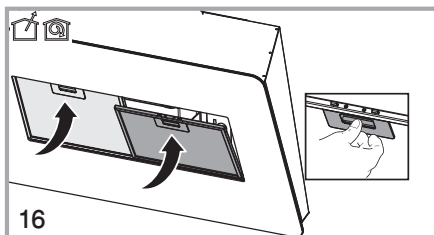
## Fettfilter

Behåller fettpartiklar orsakade av matlagning.

Fettfilter bör rengöras varje månad (eller enligt filterfyllhets indikator-systemet - om sådant finns i den modell du köpt - det anger när det är dags) med syrafritt rengöringsmedel för hand eller i diskmaskin med låg temperatur och kort centrifugering.

När det diskas i diskmaskin, kan färgen på fettfiltret blekna en aning, men detta påverkar inte dess filtreringskapacitet.

Dra på fjäder spaken för att ta bort fettfiltret. (Bild 16)



## Rengöring

Var särskilt noga med att inte försumma att rengöra din fläkt omedelbart efter att du har stekt mat.

Använd en lätt fuktad trasa för att rengöra utsidan av fläkten.

Använd aldrig slipande eller skrapande material för rengöring.

Du kan använda rengöringsmedel som finns kommersiellt tillgängliga för ihållande fett mm genom att följa varningarna på produkten.

För att inte repa den borstat stålet, torka i samma riktning med borstspåren.

Använd inte rengöringsmedel som innehåller saltsyra, blekmedel eller slippulver för att bevara ytans kvalitet på din produkt. Använd en trasa fuktad med tvålvatten eller special rengöringspray för rostfritt stål på stålytor av rostfritt stål. Ta bort skyddstjeppen på apparaten.

## Var försiktig!

Du kan orsaka brand om du inte följer instruktionerna på rengöring och byte av filter i din fläkt.

## Om du behöver transportera enheten:

Spara apparatens originalförpackningen. Transportera apparaten med dess originalförpackningen och följ trafikmarkeringar på originalförpackningen.

## Om du inte har originalförpackningen:

- Placera inga objekt på fläkten.
- Skydda de yttre ytorna från stötar.
- Packa apparaten så att den inte skadas under transporten.

## Byta lamporna

### WARNING!

Innan du vidrör glödlamporna, se till att de svalnat.

För byte av lamporna, kontakta auktoriserad service.

# Merknad om sikkerhet og miljøvern

Denne delen inneholder sikkerhetsinstrukser som vil bidra til å beskytte mot fare for personskade eller skade på eiendom. Unnlater du å følge disse instruksjonene, vil enhver garanti anses som ugyldig.

## 1.1 Generell sikkerhet

- Få alltid prosedyrer knyttet til montering og reparasjon utført på et autorisert serviceverksted. Produksjonsforetaket skal ikke holdes ansvarlig for skader som kan være forårsaket av uvedkommende.
- Dette produktet er ikke ment for bruk av personer (inkludert barn) med reduserte fysiske, sensoriske eller mentale evner, eller manglende erfaring og kunnskap. Barn må passes for å sikre at de ikke leker med produktet.

## 1.1.1 Elektrisk sikkerhet

- Trekk alltid ut støpselet fra strømmettet før montering, vedlikehold, rengjøring og reparasjon.
- Hvis strømledningen er skadet, må den skiftes ut av en kvalifisert person som er sertifisert av produsenten, en person tilknyttet ettersalgsservice eller lignende (fortrinnsvis en elektriker) eller en person som er nærmere beskrevet av importøren.
- Driftsspenning er 220-240 volt.
- Hvis det er en defekt på apparatet, bør det ikke brukes med mindre det blir reparert på et autorisert serviceverksted. Det er fare for elektrisk støt!
- Ikke plasser strømledningen nærme koketoppen. Strømledningen kan begynne å brenne fordi den har lavt smeltepunkt.
- Aldri koble viften til strøm før monteringen er fullført.

# Merknad om sikkerhet og miljøvern

- Strømkabelen må ikke være lenger enn 4 m for å bevare ytelsen. Den skal ikke ha mer enn to perpendikulærvinkler (90°) og diameteren må være minst  $\varnothing 120$  mm.
- Koble apparatet fra strømmettet før ethvert inngrep i apparatets indre deler.
- Bruk apparatet kun sammen med en jordet stikkkontakt.

## 1.1.2 Produktsikkerhet

- Du kan bruke et rør med en diameter på 120 mm på tilkoblingen til viftens røykkanal.
- Ikke koble røyktilkoblingen til ovner, avtrekkskanaler eller røykkanaler med stigende flammer. Vær oppmerksom på gjeldende lover om avtrekksluft.
- Høyden mellom den nedre overflaten på viften og den øvre overflaten på komfyren/stekeovnen må ikke være mindre enn 65 cm for gasskokeplater og 50 cm for elektriske kokeplater.
- Ikke bruk viften uten aluminiumsfilter og ikke ta ut filtrene mens viften er i bruk.
- Ta aldri på lampene på hetten etter at de har vært i drift over lang tid. Å ta på varme lamper kan føre til brannskader.
- Unngå høye flammer under produktet. Ved høye flammer kan partikler på oljefiltret antennes og starte en brann.
- Slå på koketoppen at du har plassert panner og kjeler på dem. Ellers vil den oppstigende varmen kunne deformere visse deler av produktet.
- Slå av koketoppen før du tar panner og kokekar av den.
- Unngå brennbare materialer under avtrekksviften.
- Olje kan antennes under steking av mat. Vær også forsiktig med klær og gardiner.



# Merknad om sikkerhet og miljøvern

- La aldri komfyren bli stående uten tilsyn når du steker mat. Varm olje kan forårsake brann.
- Det kan oppstå brann i viften hvis den ikke rengjøres med jevne mellomrom.
- Vær svært forsiktig, og bruk hansker når du rengjør viften.
- Vi anbefaler at du lar viften gå i noen minutter før du starter matlagingen for å øke sugekraften. Dermed oppnår du en kontinuerlig og stabil sugeeffekt når damper oppstår.
- La viften være i drift i ytterligere 15 minutter etter at matlagingen eller steking er over for å fjerne lukt og damp etter matlaging på kjøkkenet.
- Når viften er i bruk, spesielt sammen med gasskomfyrer, må du sørge for at miljøet rundt er ventilert med frisk luft.
- Ikke koble produktet til røykkanaler som brukes av ikke-elektriske produkter. (F.eks. peisrøyk).
- En samkjørt og jevn drift av viften og en annen enhet som krever luft er bare mulig når det er oppnådd et lavt trykk på 4 Pa (0,04 mbar), og det således unngås reabsorpsjon av gass. Dette kan bare oppnås ved hjelp av luft som strømmer fra utildekede åpninger (dør, vindu, ventilasjonsåpninger eller gjennom andre tekniske tiltak). Vær ytterst oppmerksom for å sørge for tilstrekkelig luftstrøm. Et avtrekk med luftinntak/-uttak er ikke tilstrekkelig for dette formålet.

# Merknad om sikkerhet og miljøvern

## 1.1.3 Sikkerhet for barn

- Emballasje er farlig for barn. Oppbevar emballasjen på et trygt sted utilgjengelig for barn.
- Elektriske produkter er farlig for barn. Hold barn på avstand fra produktet. Barn får ikke leke med produktet.
- Dette apparatet kan brukes av barn i en alder av åtte år og oppover og av personer som har begrenset fysisk, sensorisk eller mental kapasitet eller som ikke har kunnskap og erfaring, så lenge de er under oppsikt for sikker bruk av produktet eller de får opplæring og forstår risikoen som er knyttet til bruken av produktet. Barn skal ikke leke med produktet.
- **FORSIKTIG:** Deler innen rekkevidde kan bli varme under bruk.

## 1.2 Tiltenkt bruk

- Dette produktet er beregnet på bruk i hjemmet. Det er ikke egnet for kommersiell bruk og må ikke bruke til annet bruk enn det som er tiltenkt.
- Produsenten kan ikke holdes ansvarlig for skader som forårsakes ved feil bruk eller håndtering.
- Levetiden for produktet er ti år. Dette er den perioden det tar for levering av reservedeler for at produktet skal fungere som det skal.
- **ADVARSEL:** Unnlatelse av å feste skruene i samsvar med veiledningen i bruksanvisningen vil kunne føre til elektrisk fare.

# Merknad om sikkerhet og miljøvern

## 1.3 Tekniske data



Denne enheten er støyreduert i henhold til de EU-direktivene som er relevante.

Dette oppfyller EU direktivene 2014/53/EU, 2009/125/EC and 2011/65/EU.

Du finner CE-samsvarserklæringen for enheten i form av en PDF-fil på Grundigs hjemmeside på [www.grundig.com/download/doc](http://www.grundig.com/download/doc).

Retten til tekniske og designmessige endringer er forbeholdt.

## 1.4 Samsvar med WEEE-direktivet og bortskaffing av avfallprodukt:

Dette produktet er i samsvar med EUs WEEE-direktiv (2012/19/EU). Dette produktet er forsynt med et klassifiseringssymbol for kasserte elektriske og elektroniske produkter.



Dette produktet er laget av høykvalitetsdeler og -materialer som kan brukes om igjen og som er egnet for resirkulering. Ikke kast

produktet sammen med husholdningsavfall eller annet avfall etter at produktets levetid er over. Ta dem med til miljøstasjoner for gjenvinning av elektrisk og elektronisk utstyr. Vennligst ta kontakt med lokale offentlige myndigheter for å få opplysninger om slike miljøstasjoner.

## Samsvar med RoHS-direktivet

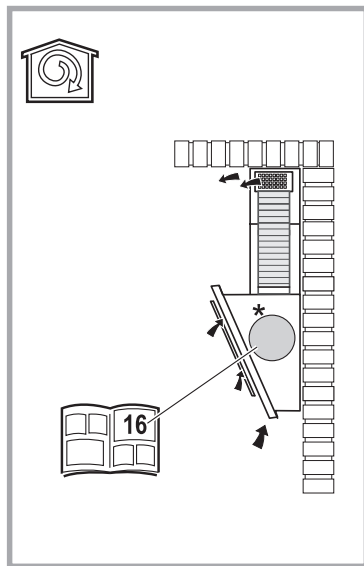
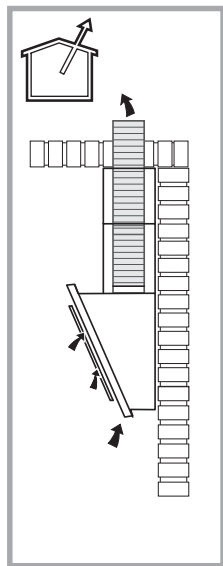
Produktet du har kjøpt er i samsvar med EUs RoHS-direktiv (2011/65/EU). Det inneholder ikke skadelige og forbudte materialer som er angitt i direktivet.


## 1.5 Pakningsinformasjon




Produktpakningen er laget av gjenvinnbare materialer i samsvar med våre nasjonale miljøforskrifter. Ikke kast emballasjen sammen med husholdningsavfall eller annet avfall. Ta dem med til miljøstasjoner som er opprettet av lokale offentlige myndigheter.

# Tekniske Spesifikasjoner



 Bruk med røykkanal

 Bruk med kullfilter

Verdiene som er oppgitt i merkingene på produktet eller i dokumentasjonen som medfølger er oppnådd i laboratoriemiljø ifølge relevante standarder. Disse verdiene kan variere etter bruk av produktet og miljømessige forhold.

# Montere apparatet

Kontakt nærmeste serviceverksted for montering av viften.

\*Klargjøring av plassering og elektrisk installasjon og gassinstallasjon av produktet er kundens ansvar.

## Forsiktig!

Fjern beskyttelsesfilmen (hvis noen) fra hetten og røykkanalens overflate før montering.

Avstanden mellom avtrekksviftens nedre overflate og komfyrens øvre overflate bør ikke være mindre enn 50 mm.

Få en kvalifisert elektriker til å utføre elektriske tilkoblinger.

Monter produktet på en slik måte at du kan nå strømtilkoblingen (kontakt, støpsel) enkelt etter monteringen.

Alle mål er oppgitt i mm.

## Elektrisk tilkobling

Hovedstrømforsyningen skal være i samsvar med verdiene som er oppgitt på viften. Koble viften i en stikkontakt i samsvar med gjeldende forskrifter ved hjelp av en kontakt, og plasser det på en sted du kan nå. Etter montering: Hvis produktet ikke har en plugg (direktekobling til strømmettet) eller pluggen ikke kan nås, må du bruke en dobbeltpolet bryter i samsvar med standardene, som muliggjør frakobling fra strømmettet under forhold overdrøven flyt, kategori III.

**Advarsel:** Før du kobler viften til strøm igjen og kontrollerer at den fungerer som den skal, må du sørge for at strømkontakten er koblet ordentlig i.

Viften har en spesiell strømkontakt. Hvis lesningen skades må du kontakte et autorisert serviceverksted.

## Montering

### Før du begynner:

- Kontroller at produktets størrelse passer til monteringsstedet.
- Fjern det aktive kullfilteret (\*), hvis det er levert med (se også relevant del). Det/de skal bare brukes hvis du ønsker å bruke viften som en filtrert modell.
- Kontroller at andre deler (som skruer (\*), garantikort (\*) osv.) er levert med viften, ta det ut og oppbevar det et annet sted.
- Hvis mulig skal du fjerne skapdøren eller en skyvbar ovn, og trekke den til siden for å nå bak vegg/taket enkelt. Hvis det ikke er mulig må du dekke benken og ovnen med et tykt beskyttelsesteppes for å sikre at det ikke skadet av mur og smuss. Velg en flat overflate for montering av produktet. Dekk overflaten med et beskyttelsesteppes og plasser viften og tilhørende deler på den.
- I tillegg må du kontrollere at et strømuttak er tilgjengelig der viften monteres (ved siden av, eller andre steder du kan nå etter monteringen), og kontroll om tilkobling av viften ute (bare for modeller med aspirasjon) er mulig.

# Montere apparatet

- Fullfør alle nødvendige handlinger for veggen (f.eks. koble i støpselet og/eller borre et hull til uttaks-slangen).

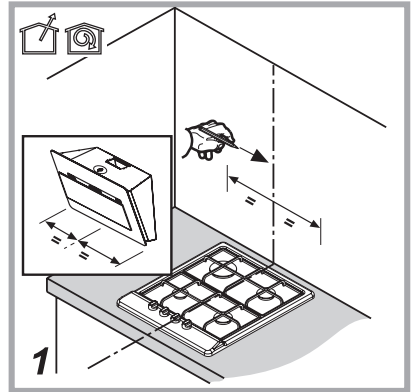
Brede plugger er tilgjengelige slik at viften kan festes til en rekke forskjellige vegger/tak. I tillegg bør konformiteten til materialet i veggen/taket bekreftes av en kvalifisert tekniker. Veggen/taket må være i stand til å holde viften oppe. Ikke demonter viften på overflater av fliser, gips eller silikon. Montere viften på veggen.

Hvis et panel og/eller sidevegg og/eller møbler er tilstede, må du kontrollere at det er nok plass til å montere viften og at kontrollpanelet enkelt kan nås.

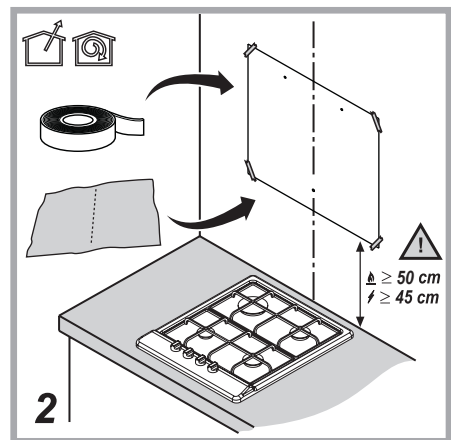
Opplysninger som kreves for å gjøre klart installasjonssted for avtrekksvifte er angitt nedenfor.

## Forberedelse for å montere viften på veggen

Marker overflaten der viften skal henge. (bilde 1)

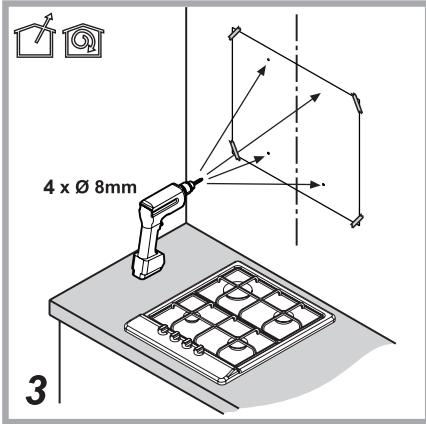


Fest monteringsmalen der viften skal monteres. (bilde 2)

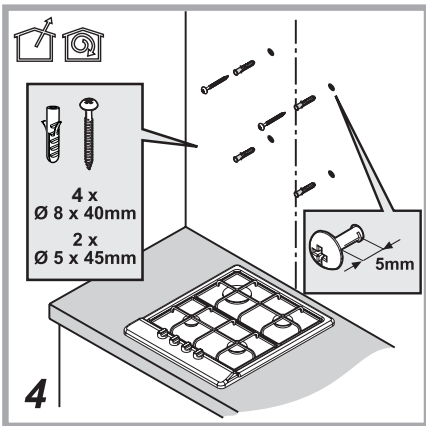


# Montere apparatet

Perforer et hull med en drill på  $\text{Ø} 8$  mm på de markerte punktene. (bilde 3)



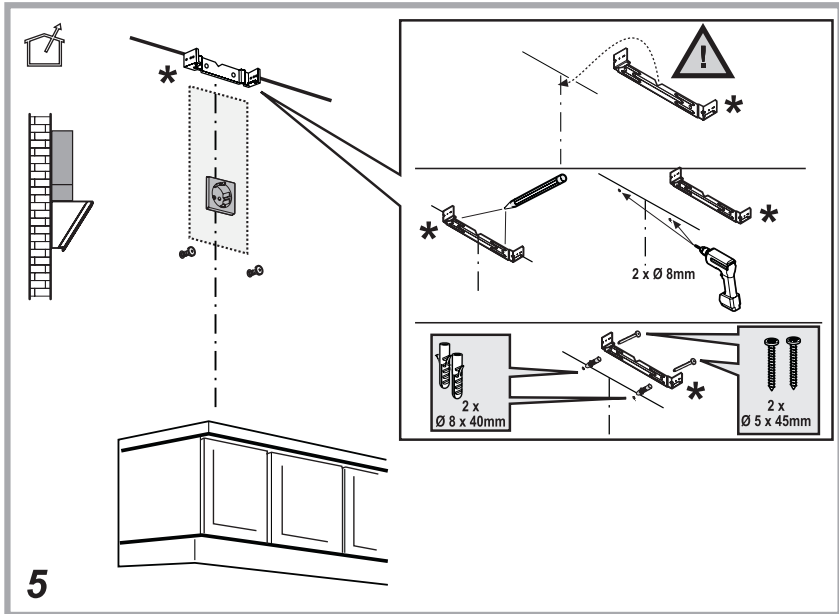
Hamre 3 plugger på  $\text{Ø} 8 \times 40$  mm i de perforerte hullene. Skru 2 hengende skruer på  $\text{Ø} 5 \times 45$  mm i pluggene du hamret inn. Det må være en avstand på minst 5 mm mellom skruhodet og veggen. (bilde 4)



# Montere apparatet

## Montere viftens røykkanal

Perforer hull på de markerte punktene med en drill på  $\text{\O}8$  mm for å feste platen til røykkanalen. Hamre 2 plugger på  $\text{\O} 8 \times 40$  mm i de perforerte hullene. Skru 2 hengende skruer på  $\text{\O} 5 \times 45$  mm i pluggene du hamret inn. (bilde 5)

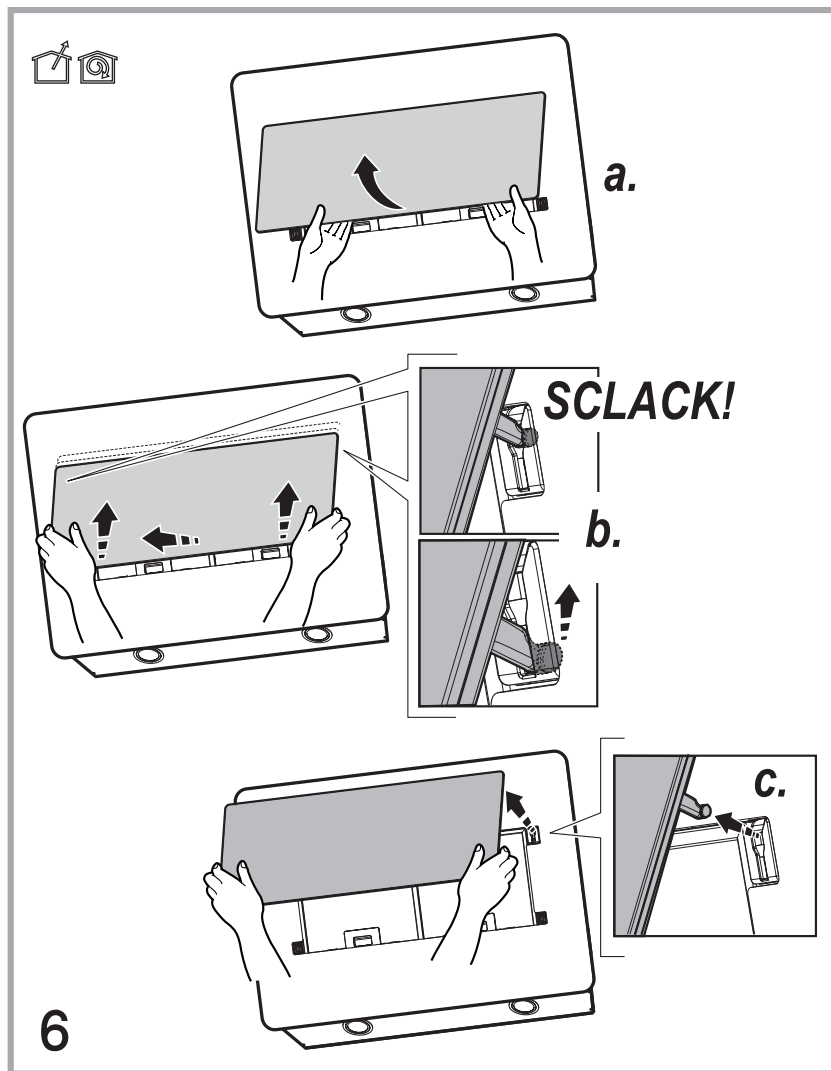




# Montere apparatet

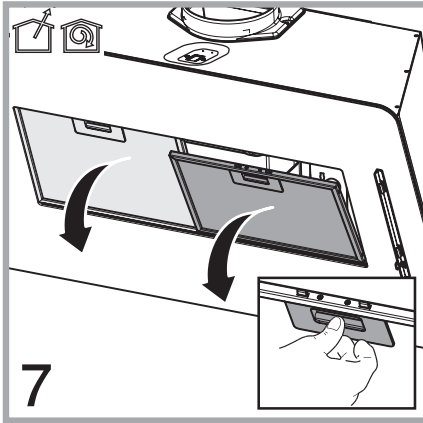
## Montere viften på veggen

Fjerne frontpanelet for å feste viften på veggen. (bilde 6)

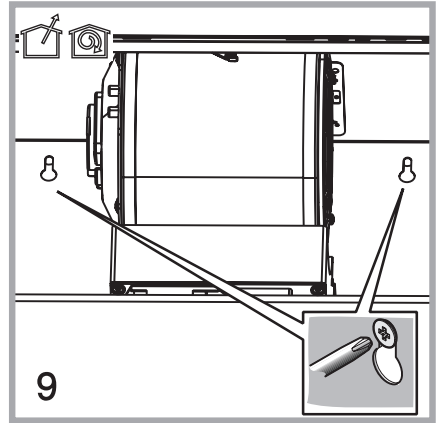


# Montere apparatet

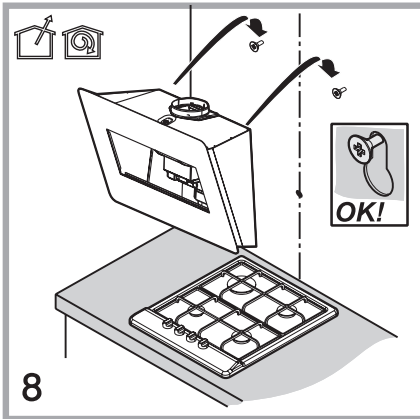
Ta av filterene. (bilde 7)



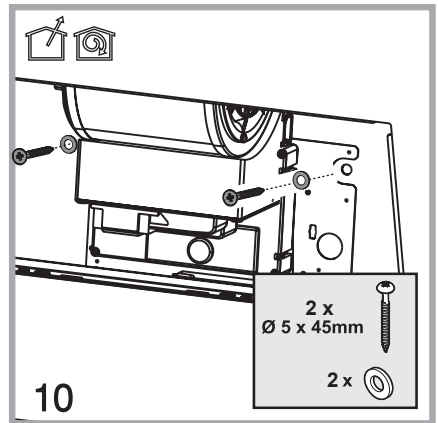
Stram til skruene for å feste viften. (bilde 9)



Plasser viften slik at skruene passer til skruhodene. (bilde 8)

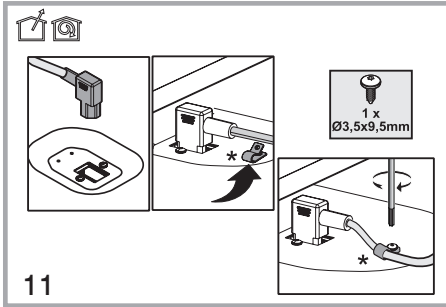


For å feste viften må du bruke en skrutrekker til å stramme skruene på  $\text{Ø } 5 \times 45$ . (bilde 10)

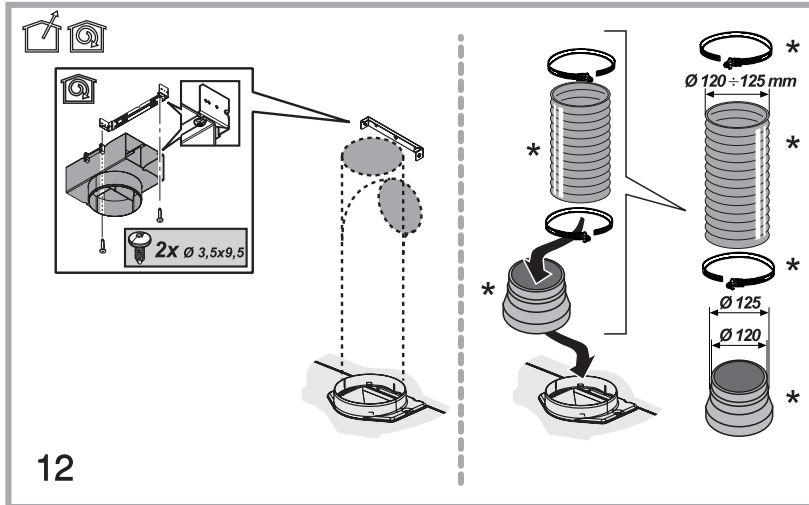


# Montere apparatet

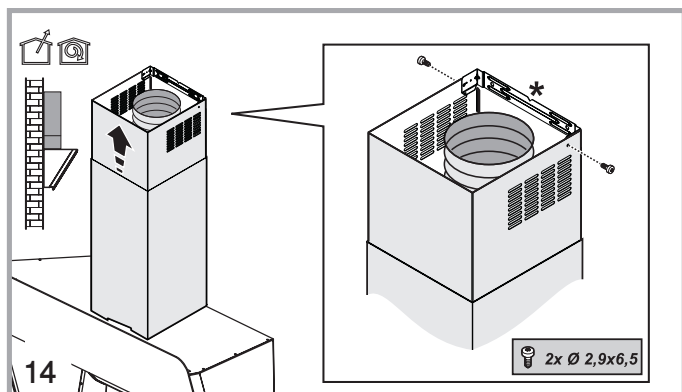
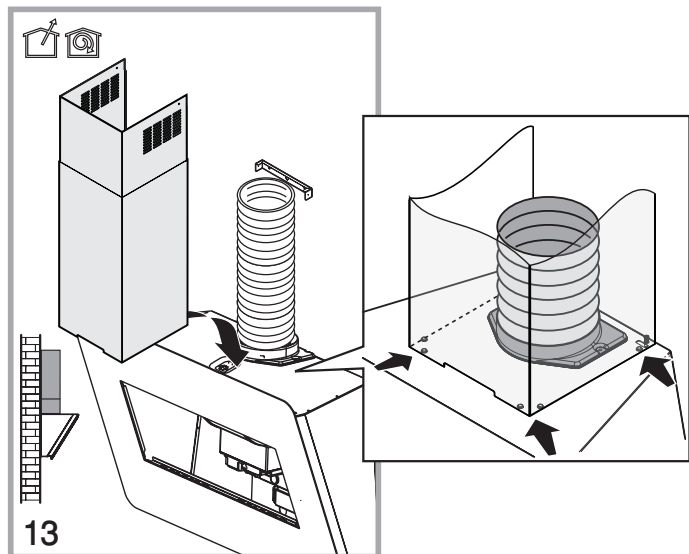
Koble til strømmen. Bruk skruer på  $\varnothing 3,5 \times 9,5$  for å feste ledningen. (bilde 11)



Plasser tilkoblingen til røykkanalen i henhold til bildene i henhold til bildene (bilde 12, 13, 14).



# Montere apparatet



# Bruke apparatet

## Bruk

Bruk høy sugekraft hvis det dannes mye matos på kjøkkenet. Det anbefales av viftens sugeenhet brukes i fem minutter før du starter matlagingen, og at viften fortsetter å gå i 15 minutter etter at matlagingen er ferdig.

## Kontroll med nivåer



### T1. Slå lysene på/av (PÅ/AV)

### T2. Redusere hastigheten

Trykk på «T2»-knappen for å redusere hastigheten fra nivå 4 (tett) til nivå 1.

Hvis du trykker på «T2»-knappen mens viften er på nivå 1 slås viften av (byttet til AV-stilling).

### T3 Øke hastigheten

Hvis du trykker på T3-knappen bytter viften fra AV-

stilling til bruk på hastighetsnivå 1.

Hvis du trykker på knappen (når viften er i PÅ-stilling), vil motoren bytte fra nivå 1 til 4 (tett).

Hvert hastighetsnivå har et korresponderende ledlys.

Hastighetsnivå 1 led 1

Hastighetsnivå 2 led 2

Hastighetsnivå 3 led 3

Tett hastighetsnivå led 4 (blinker)

Tett hastighetsnivå er tidsjustert. Standard tidsjustering er fem minutter.

På slutten av perioden bytter viften til hastighetsnivå 2.

Trykk på T2-knappen for å avslutte denne modusen før perioden er over. Viften vil da bytte til hastighetsnivå 3.

## T4 Tidsjustering av hastighetsnivåer

Du kan tidsjustere hastighetsinnstillinger med T4-knappen, når tiden er utløpt vil viften slå seg av automatisk.

Tider er nedenfor:

1. Hastighetsnivå – 20 minutter (led 1 blink)

Hastighetsnivå 2 – 15 minutter (led 2 blink)

Hastighetsnivå 3 – 10 minutter (led 3 blink)

Hastighetsnivå 4 – 5 minutter (led 4 blink)

Hvis du trykker på T2-knappen i tidsmodus, vil tidsjustert modus avsluttes og hastighetsnivået reduseres.

Hvis du trykker på T3-knappen, vil tidsjustert modus avsluttes og hastighetsnivået økes.

Hvis du trykker på T4-knappen, vil tidsjustert modus avsluttes og hastighetsnivået opprettholdes uten endring.

# Bruke apparatet

## Alarm for fettfilter

Etter 40 driftstimer blinker LED 1.

Når denne alarmen kommer er det tid for å rengjøre fettfilteret.

Trykk på T4-knappen i fem sekunder for å tilbake stille alarmen.

Et «PIP» vil høres og led 1 vil slutte å blinke.

## Alarm for kullfilter

Etter 160 driftstimer blinker LED 2.

Når denne alarmen kommer er det tid for å rengjøre kullfilteret.

Trykk på T4-knappen i fem sekunder for å tilbake stille alarmen.

Et «PIP» vil høres og led 2 vil slutte å blinke.

Hvis alarmen for begge filterne går samtidig, vil LED 1 og 2 blinke periodisk.

I dette tilfellet kan alarmen tilbake stilles ved å følge prosedyren ovenfor.

I det første trinnet vil alarmen for kullfilter tilbake stilles, mens alarmen for fettfilteret tilbake stilles etterpå.

I standard driftsmodus er alarmen for kullfilteret inaktiv.

Hvis viften brukes med filtrering skal alarmen for kullfilteret deaktiveres.

## Aktivere alarm for kullfilter

Slå viften av og trykk på T4-knappen i fem sekunder.

Når du trykker på knappen vil LED-ene som hører til de aktive filterne blinke.

Et «PIP» vil høres og led 2 vil tennes.

LED 1 og 2 vil lyse i omtrent to sekunder før viften bytter til AV-stilling.

Deaktivere alarm for kullfilter:

Slå viften av og trykk på T4-knappen i fem sekunder.

Når du trykker på knappen vil LED-ene som hører til de aktive filterne blinke.

Et «PIP» vil høres og led 2 vil slukes.

LED 1 vil lyse i omtrent to sekunder før viften bytter til AV-stilling.

## Energieffektiv bruk:

- Når du bruker viften skal hastighetsnivået tilpasses i henhold til lukt- og dampintensitet for å forhindre unødvendig strømforbruk.
- Bruk lave hastighetsnivåer (1–2) under normale forhold, og høye hastighetsnivåer (3–4) ved tett lukt- og dampkonsentrasjon.
- Lysene på viften er ment for å belyse kokesonen.

Hvis du bruker det til å lyse opp omgivelsene/kjøkkenet vil det resultere i unødvendig strømforbruk og utilstrekkelig belysning.

# Bruke apparatet

## Bruke viften

- Viften er utstyrt med en motor med flere hastighetsinnstillinger.
- For en bedre ytelse, anbefaler vi at du bruker lave hastigheter under normale forhold, og høye hastigheter når lukt og damp øker i intensitet.
- Du kan bruke viften ved å trykke på knappen for ønsket hastighetsnivå.
- Du kan slå på lyset ved å trykke på lysknappen. (A)

# Rengjøring og vedlikehold

Før rengjøring og vedlikehold må du koble produktet fra strøm eller slå av sikringen eller hovedsikringen.

## Rengjøring

Viften skal rengjøres jevnlig (minst like ofte som du utfører vedlikehold på fettfilteret) både innvendig og utvendig.

Rengjør viftens med en fuktig, varm klut og naturlige rengjøringsmidler.

Ikke bruk skurende rengjøringsprodukter. IKKE BRUK ALKOHOL!

## ADVARSEL!

- Hvis du ikke følger de grunnleggende rengjøringsinstruksjonene for viften og skifter ut filtrene kan det føre til brann.

Derfor anbefaler vi at du følger instruksjonene.

Produsenten skal ikke holdes ansvarlig for motor- eller brannskade som en følge av feil vedlikehold eller manglende overholdelse av sikkerhetsanbefalingene ovenfor.

## Utvendig sugepanel

### Vedlikehold og fjerning av panelet:

- Trekk panelet oppover, for en avstand på 2 cm
- Trekk panelet mot deg.

### Rengjøring:

Sugepanelet skal rengjøreslike ofte som fettfilteret.

Rengjør med en fuktig klut og naturlige rengjøringsmidler.

Ikke bruk slipende produkter. IKKE RENGJØR MED ALKOHOL!

### Feste:

Følg fremgangsmåter for fjerning i motsatt rekkefølge.

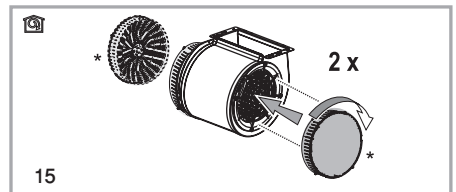
Forsiktig! Sørg for at panelet er plassert og festet ordentlig.

### Kullfilter (bare for filtrerende modeller)

Etter en lang periode kan kullfilteret bli fullt, avhengig av mattilberedningen og om fettfilteret rengjøres jevnlig eller ikke.

Uansett bør patronen skiftes ut hver fjerde måned (eller når indikatoren for fullt system forteller at filteret bør skiftes ut, hvis denne funksjonen er tilgjengelig på modellen). (bilde 15)

Kullfilter kan vaskes og bruke igjen.



### Rundt kullfilter

Plasser ett filter ved siden av beskyttelsen til motorpropellen, drei deretter delen med klokken.

Drei det mot klokken for demontering.



# Rengjøring og vedlikehold

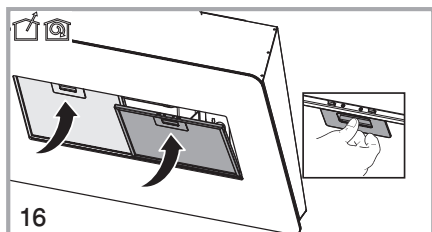
## Fettfilter

Holder på fettpartikler som forårsaker av matlilberedning.

Fettfilteret skal rengjøres hver måned (eller indikatorsystemet for filterfylling – hvis tilgjengelig på den kjøpte modellen – indikerer når det er nødvendig) for hånd med en syrefri såpe, eller i en vaskemaskin på en kort syklus med lav temperatur.

Når det vaskes i en vaskemaskin kan fargen på fettfilteret falme, men det påvirker ikke filtreringsevnen.

Trekk i utløerspaken for å fjerne filteret. (bilde 16)



## Rengjøring

Særlig er det viktig å rengjøre viften etter steking.

Bruk en fuktig klut med rengjøringsmiddel til å rengjøre utsiden av viften.

Aldri bruk slipende rengjøringsmidler eller skraper til rengjøringen.

Du kan bruke rengjøringsmidler som er kommersielt tilgjengelige som fettfjerner, osv. ved å følge an-

visningene på produktet. For å unngå å skrape opp kroppen i rustfritt stål, bør du tørke i samme retning som børstesporene.

Ikke bruk rengjøringsmidler som inneholder saltsyre, blekemidler eller skuremidler, hvis ikke kan du ødelegge produktets overflate. Bruk en klut med såpevann eller en rengjørings-spray for overflater i rustfritt stål. Fjern beskyttelsesfilmen fra produktet.

## Forsiktig!

Du kan skape brann hvis du ikke følger instruksjonene om rengjøring og erstatning av filter for viften din.

## Hvis du må transportere produktet:

Ta vare på emballasjen produktet ble levert i. Transporter produktet i originalemballasjen, og følg transportanvisningene på emballasjen.

## Hvis du ikke har originalemballasjen:

- Ikke plasser noen gjenstander på viften.
- Beskytt den ytre overflaten.
- Pakk inn produktet slik at det ikke skades under transport.

## Skifte lysene

### ADVARSEL!

Sørg for at lyspærene er avkjølt før du tar på dem.

Kontakt et autorisert serviceverksted for å bytte lamper.

# Tärkeitä turvallisuutta ja ympäristöä koskevia ohjeita

Tämä osio sisältää turvallisuusohjeita, jotka auttavat suojaamaan henkilö- tai omaisuusvahingoilta. Näiden ohjeiden noudattamatta jättäminen mitätöi takuun.

## 1.1 Yleinen turvallisuus

- Anna aina valtuutetun huoltoasentajan suorittaa kaikki asennus- ja korjaustyöt. Valmistaja ei ota vastuuta vahingoista, jotka johtuvat valtuuttamattomien henkilöiden tekemistä asennuksista.
- Tätä laitetta ei ole tarkoitettu sellaisten henkilöiden (mukaan lukien lapset), joiden fyysinen tai henkinen toimintakyky on alentunut tai joilta puuttuu kokemusta ja tietoa laitteen oikeasta käyttötavasta. Lasten ei tule antaa leikkiä laitteen kanssa.

### 1.1.1 Sähköturvallisuus

- Irrota laite aina verkkovirrasta asennuksen, kunnossapidon, puhdistuksen ja korjauksen ajaksi.

- Jos laitteen sähköjohto on vaurioitunut, se tulee vaihtaa valtuutetun asentajan, jälleenmyyjän, huoltoliikkeen tai vastaavan (miehitettyn sähköasentajan) tai maahantuojan nimeämän tahon toimesta.
- Laitteen käyttöjännite on 220 - 240 V.
- Jos laitteessa on vika, sitä ei tule käyttää ennen valtuutetun huoltoliikkeen suorittamaa huoltoa. Sähköiskun vaara!
- Älä aseta virtajohtoa lämpölevyjen päälle. Virtajohdon sulaminen saattaa aiheuttaa tulipalon.
- Älä koskaan kytke kupua sähköverkkoon, ennen kuin asennus on valmis.
- Parhaan suorituskyvyn saavuttamista varten, laitteen ulkoinen johdin ei saa olla 4 metriä pidempi. Se ei saa sisältää useampaa kuin 2 kohtisuoraa (90°) kulmaa ja sen halkaisija tulee olla vähintään  $\varnothing 120$  mm.

# Tärkeitä turvallisuutta ja ympäristöä koskevia ohjeita

- Irrota laite verkkovirrasta, ennen kuin kosket laitteen sisäisiin osiin.
- Kytke laite ainoastaan maadoitettuun pistorasiaan.
- Älä kosketa liesikuvun lampuihin, kun ne ovat olleet käytössä pidemmän aikaa. Kuumat valaisimet saattavat aiheuttaa palovammoja käsiin.

## 1.1.2 Tuoteturvallisuus

- Voit käyttää putkea, jonka halkaisija on 120 mm liesikuvun hormiliitoksessa.
- Älä tee liitännöitä hormeihin, jotka on liitetty liesiin, poistoilma-aukkoihin, tai hormeihin joissa on ylösnousevia palavia liekkejä. Noudata viranomaisten määräyksiä poistoilman ulosviennissä.
- Liesikuvun alapinnan ja uunin/lieden yläpinnan välisen etäisyyden tulee olla vähintään 65 cm kaasuliesillä, ja 50 cm sähköliesillä.
- Älä käytä liesikupua ilman alumiinisuolettimia, äläkä irrota suolettimia liesikuvun ollessa käytössä.
- Vältä suuria liekkejä laitteen alapuolella. Muutoin öljysuolettimen hiukkaset saattavat syttyä ja aiheuttaa tulipalon.
- Kytke keittoalueet päälle, kun olet asettanut liedelle kattiloita tai patoja. Muutoin kohoava lämpö voi aiheuttaa laitteen osien sulamisen.
- Sammuta keittoalueet ennen kuin otat kattilat tai padat pois liedeltä.
- Vältä syttyviä materiaaleja liesikuvun alla.
- Öljy saattaa syttyä ruokia uppopaistettaessa. Ole siksi varovainen vaatteiden ja verhojen suhteen.
- Älä jätä keittotasoa ilman valvontaa, kun uppopaistat ruokia: muuten kiehuva öljy voi aiheuttaa tulipalon.

# Tärkeitä turvallisuutta ja ympäristöä koskevia ohjeita

- Jos liesikupua ei puhdisteta määrätyin väliajoin se saattaa aiheuttaa tulipalovaaran.
- Ole erittäin varovainen puhdistaessasi liesikupua ja käytä suojäkäsineitä.
- Suosittelemme käyttämään laitetta muutaman minuutin ajan ennen ruoanlaiton aloittamista, jotta sen imuteho kasvaisi. Tällöin käytettävissä on jatkuva ja vakaa imuteho, kaasujen muodostuessa.
- Pidä liesikupua käynnissä 15 minuuttia ruoanlaiton tai paistamisen lopettamisen jälkeen, jotta ruoanlaitosta syntyneet hajut ja kaasut saadaan poistettua keittiöstä.
- Liesikuvun ollessa käytössä, erityisesti kaasuliesien kanssa, varmista sen ympäristön riittävä ilmanvaihto.
- Varo kytkemästä laitetta hormoneihin, jotka ovat muiden kuin sähkölaitteiden käytössä. (esim. lämmityshormi).
- Liesikuvun ja toisen ilmaa tarvitsevan laitteen samanaikainen ja moitteeton toiminta on mahdollista vain saavutettaessa 4 Pa (0,04 mbar) alhainen paine, jolloin kaasun takaisinvirtaus estetään. Tämä voidaan saavuttaa vain siten että ilmaa pääsee tilaan peittämättömistä aukoista (ovesta, ikkunasta, tuuletusaukoista tai muilla teknisillä tavoilla). Kiinnitä erittäin suurta huomiota riittävään ilmavirtaukseen. Hormi, jossa on sisään-/ulostulo, ei ole riittävä tähän tarkoitukseen.

# Tärkeitä turvallisuutta ja ympäristöä koskevia ohjeita

## 1.1.3 Lasten turvallisuus

- Pakkausmateriaalit ovat vaaraksi lapsille. Säilytä pakkausmateriaalit turvallisessa paikassa poissa lasten ulottuvilta.
- Sähkölaitteet ovat vaaraksi lapsille. Pidä lapset poissa laitteen ulottuvilta. Älä anna lasten leikkiä laitteen kanssa.
- Tätä laitetta voivat käyttää 8-vuotiaat ja sitä vanhemmat lapset sekä henkilöt joiden fyysinen, motorinen tai henkinen toimintakyky on rajoittunut tai joilla ei ole aikaisempaa kokemusta tai tietoa laitteen käytöstä, jos heitä valvotaan tai jos he ovat saaneet ohjeistusta laitteen turvallisesta käytöstä ja he ymmärtävät laitteen käyttöön liittyvät vaarat. Lasten ei tule antaa leikkiä laitteen kanssa.
- **VAROITUS:** Laitteen pinnat voivat kuumentua käytön aikana, keittolaitetta käytettäessä.

## 1.2 Käyttötarkoitus

- Laite on tarkoitettu vain kotitalouskäyttöä varten. Se ei sovellu kaupallisiin käyttötarkoituksiin eikä sitä tule käyttää muuhun kuin edellä mainittuun käyttötarkoitukseen.
- Valmistaja ei ole vastuussa vahingoista, jotka aiheutuvat laitteen virheellisestä käytöstä tai käsittelystä.
- Laitteen käyttöikä on 10 vuotta. Tänä aikana laitteeseen on saatavilla varaosia joilla varmistetaan tuotteen moitteeton toimivuus.
- **VAROITUS:** Ruuvien jättäminen kiinnittämättä oppaan ohjeiden mukaan voi aiheuttaa vaaratilanteita sähkönsä kanssa.

# Tärkeitä turvallisuutta ja ympäristöä koskevia ohjeita

## 1.3 Tekniset tiedot



Tuote täyttää EU-direktiivien 2014/53/EU, 2009/125/EC ja 2011/65/EU vaatimukset.

set.

De conformiteitsverklaring kan worden gedownload op [www.grundig.com/downloads/doc](http://www.grundig.com/downloads/doc).

Oikeus teknisiin ja muotoilumutoksiin pidätetään.

## 1.4 Sähkö- ja elektroniikkaromua koskevan direktiivin (WEEE) vaatimustenmukaisuus ja tuotteen hävittäminen:

Tämä tuote noudattaa Euroopan unionin sähkö- ja elektroniikkaromua koskevaa direktiiviä 2012/19/EY (WEEE-direktiivi). Tässä tuotteessa on sähkö- ja elektroniikkalaitteiden (WEEE) kierrätysymboli.



Tämä laite on valmistettu korkealuokkaisista osista ja materiaaleista, jotka voidaan käyttää uudelleen ja jotka soveltuvat kierrätettäväksi. Älä hävitä tätä tuotetta normaalin kotitalousjätteen mukana sen käyttöään päätyttyä. Vie se sähkö- ja elektroniikkaromun kierrätyspisteeseen. Kysy paikallisilta viranomaisilta lähimmän kierrätyspisteen sijaintipaikka.

## RoHS-direktiivin vaatimustenmukaisuus:

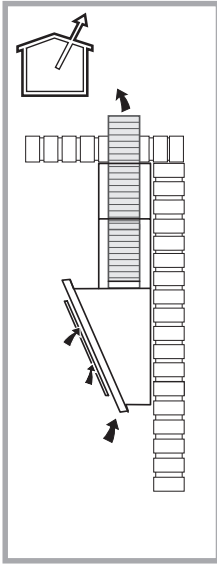
Valitsemasi tuote noudattaa Euroopan unionin tiettyjen vaarallisten aineiden käytön rajoittamiseksi sähkö- ja elektroniikkalaitteissa koskevaa direktiiviä 2011/65/EY (RoHS-direktiivi). Laite ei sisällä direktiivissä määritettyjä haitallisia ja kiellettyjä materiaaleja.

## 1.5 Pakkaustiedot

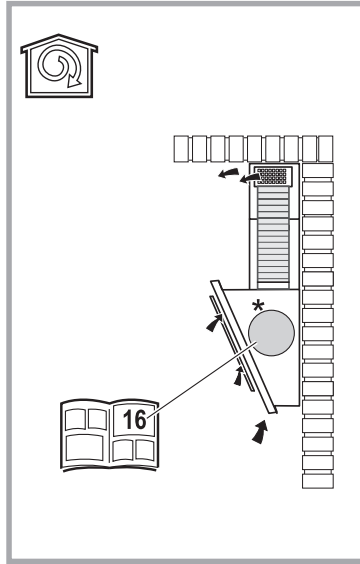


Tuotteen pakkaus on valmistettu kierrätettävistä materiaaleista paikallisen lainsäädännön mukaisesti. Älä hävitä pakkausmateriaaleja yhdessä muiden kotitalousjätteiden tai muiden jätteiden kanssa. Vie pakkausmateriaalit paikallisten viranomaisten ilmoittamiin keräyspisteisiin.

# Tekniset tiedot



Käyttö hormin kanssa



Käyttö hiilikuitusuodattimen kanssa

Laitteen tyyppikilvessä tai sen mukana toimitettavissa asiakirjoissa olevat arvot on saatu laboratorio-olosuhteissa asiaankuuluvia standardeja noudatettaessa. Nämä arvot voivat vaihdella laitteen käytön ja ympäristöolosuhteiden mukaan.

# Laitteen asentaminen

Ota yhteys lähimpään valtuutettuun huoltoon laitteen asentamiseksi.

\*Tuotteen sijaintipaikan valmistelu ja sähköasennusten tekeminen on asiakkaan vastuulla.

## Varotoimi!

Poista suojakalvo (jos sellainen on) liesikuvun ja hormin pinnalta asennuksen jälkeen.

Liesikuvun alapinnan ja lieden yläpinnan välisen etäisyyden pitää olla vähintään 50 cm.

Pyydä pätevää sähköasentajaa tekemään sähköliitännät.

Asenna laite siten, että virtaliitännät (pistoke, pistorasia) ovat helposti käytettävissä asennuksen jälkeen.

Kaikki mitat on annettu millimetreinä.

## Sähköliitännät

Päävirtalähteen tulee noudattaa liesikuvun tyyppikilvessä ilmoitettuja arvoja. Liitä liesikupu pistorasiaan voimassa olevien säädösten mukaan pistokkeella ja sijoita helppopääsyiseen tilaan. Jos laitteessa ei ole asennuksen jälkeen pistoketta (suora virtaliitännä) tai pistoke on hankalapääsyisessä tilassa, käytä normien mukaista kaksinapaista kytkintä, jonka avulla pääpistoke on kytkettävissä irti, jos ilmenee luokan III liiallista sähkövirtausta.

Varoitus: Ennen kuin kytket liesikuvun takaisin virtalähteeseen ja tarkistat sen oikean toiminnan, varmista että virtalähteen pistoke on kytketty oikein.

Liesikuvussa on erityinen pistoke. Jos virtajohto vahingoittuu, ota yhteys valtuutettuun tekniseen huoltoon.

## Kokoaminen

### Aluksi:

- Tarkista että laitteen mitat sopivat kiinnitysalueeseen.
- Irrota aktiivihilukitusuodatin (\*), jos sellainen on (katso myös vastaava kappale). Sellainen on kiinnitetty vain, jos haluat käyttää liesikupua suodatettuna mallina.
- Tarkista muut liesikuvun mukana toimitetut materiaalit (esim. ruuvipakkaus (\*), takuukortti (\*)jne.), ja jos niitä on, ota ne irti ja säilytä erillään.
- Irrota mahdollisuuksien mukaan kaluste tai irrotettava uuni ja vedä sivuun, jotta takaseinään/kattoon pääsee helposti käsiksi. Peitä mahdollisuuksien mukaan kaluste, uuni tai muu laite paksulla suojakankaalla, jotta varmistetaan laitteiden suojaus vahingoitumiselta ja lialta. Valitse laitteen asentamiseen tasainen alusta. Peitä alusta suojaliinalla ja aseta kaikki liesikuvun ulkonevat osat ja välineet sille.
- Tarkista lisäksi, että pistoke on käytettävissä liesikuvun asennustilassa (ja liesikuvun asentamisen jälkeen käytettävissä olevassa tilassa) ja tarkista onko liesikuvun kytkeminen ulkotilaan (vain imu-toiminnolla varustettu malli) on mahdollista.



# Laitteen asentaminen

- Viimeistele kaikki seinää koskevat toimenpiteet (pistokkeen liittämisen pistorasiaan ja/tai aukon jättäminen poistoletkulle).

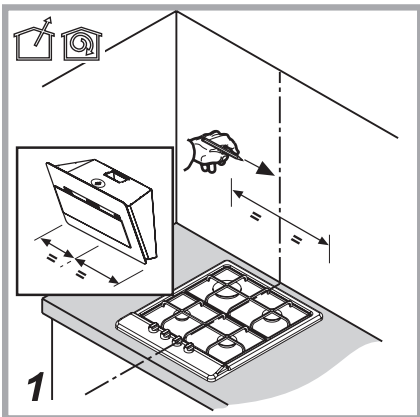
Saatavilla on leveitä vaarvoja liesikuvun kiristämiseen erityyppisiin seinä-/kattomateriaaleihin. Pätevän asentajan on lisäksi tarkistettava materiaalin vaatimustenmukaisuus suhteessa seinä-/kattomateriaaliin. Seinän/katon tulee pystyä kannattamaan liesikupu. Älä kokoa laitetta kaakeli-, kipsi- tai silikonipinnalla. Kokoa laite vain seinää vasten.

Jos tilassa on paneeli ja/tai sivuseinä ja/tai kaluste, tarkista, että liesikuvun kokoamiseen on riittävästi tilaa ja että ohjauspaneeli on helposti käytettävissä.

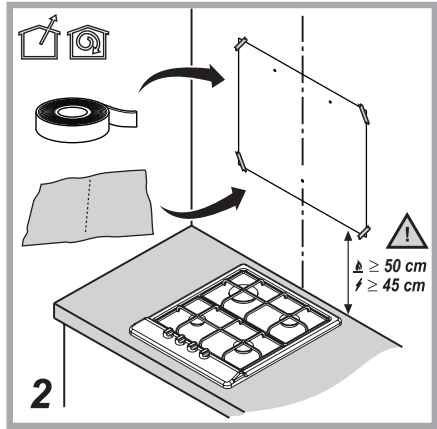
Liesikuvun asennuspaikan valmistelutiedot on kuvattu seuraavassa:

## Liesikuvun seinäasennuksen valmistelutoimet

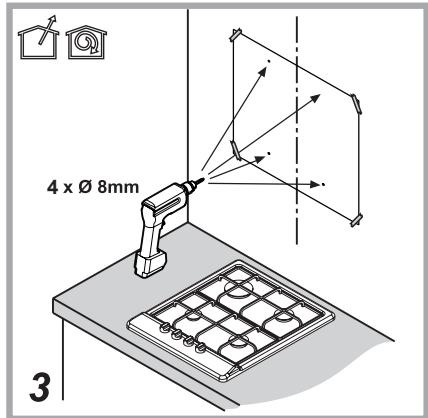
Merkitse pinta, johon asennusmalli ripustetaan. (Kuva 1)



Kiinnitä asennusmalli liesikuvun asennuspaikkaan. (Kuva 2)

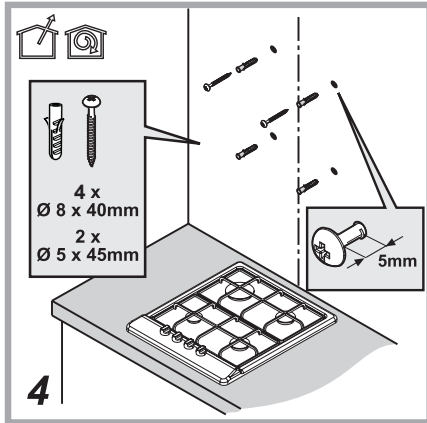


Poraa reikä  $\varnothing 8$  mm poranterällä merkittyihin kohtiin. (Kuva 3)



# Laitteen asentaminen

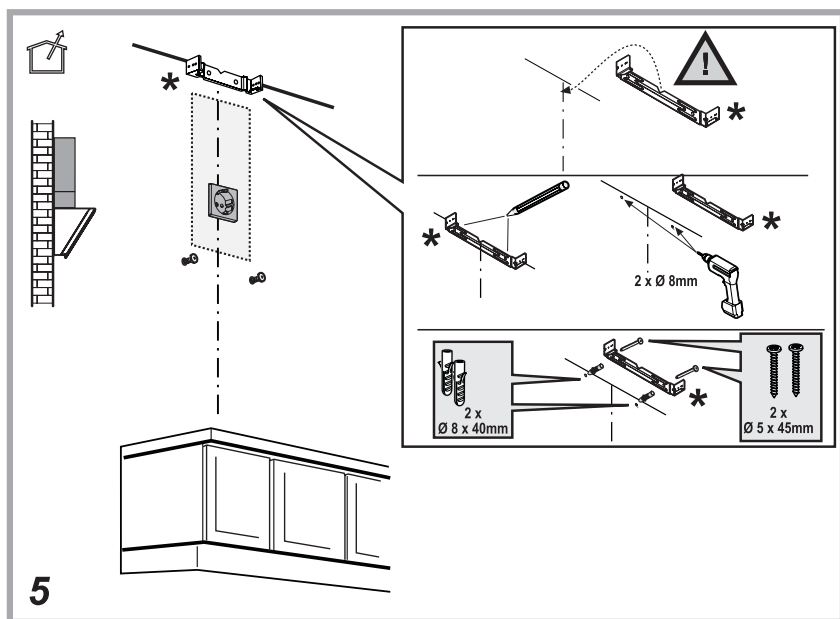
Lyö 3 kpl  $\varnothing$  8x40 mm vaarnaa poranreikiin. Ruuvaa 2 kpl  $\varnothing$  5x45 mm ripustusruuvia edellä paikoilleen iskettyihin vaarnoihin. Ruuvin pään ja seinän välissä on oltava 5 mm rako. (Kuva 4)



# Laitteen asentaminen

## Liesikuvun hormin kokoaminen

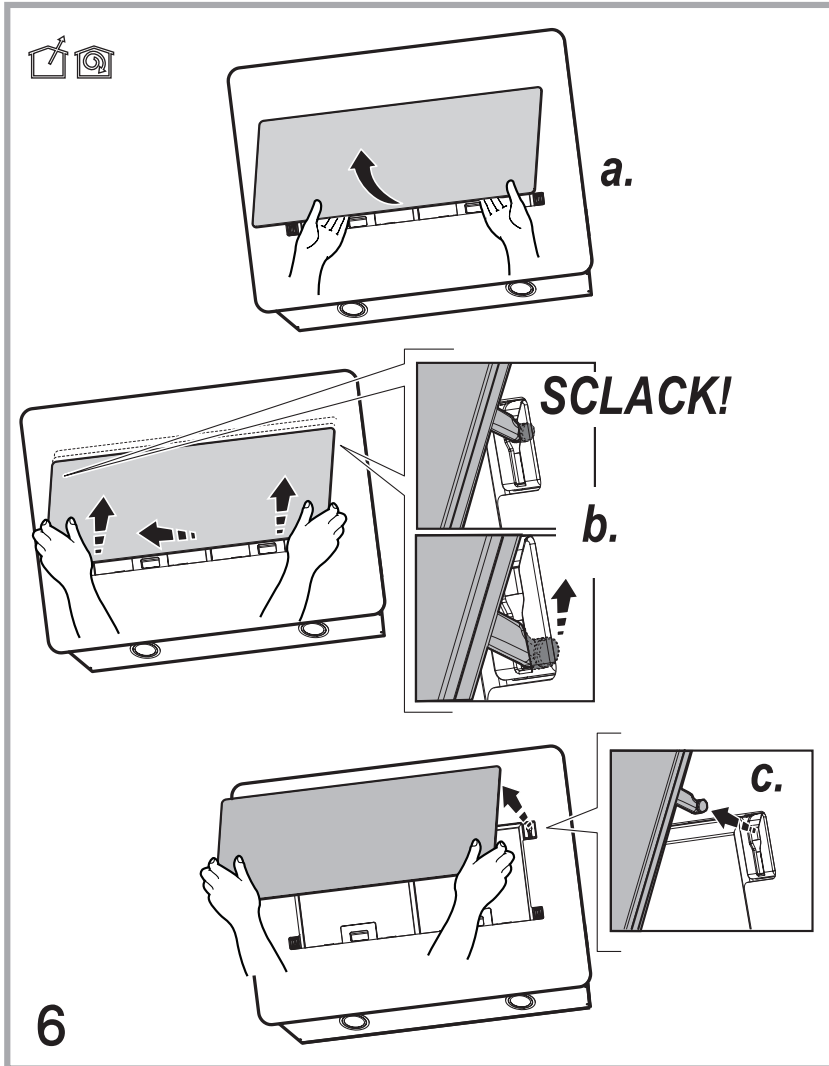
Poraa reiät merkittyihin pisteisiin  $\text{\O}8$  mm poranterällä asentaaksesi hormilevyn. Lyö 2 kpl  $\text{\O} 8 \times 40$  mm vaarnaa poranreikiin. Ruuvaa 2 kpl  $\text{\O} 5 \times 45$  mm ripustusruuvia edellä paikoilleen iskettuihin vaarnoihin. (Kuva 5)



# Laitteen asentaminen

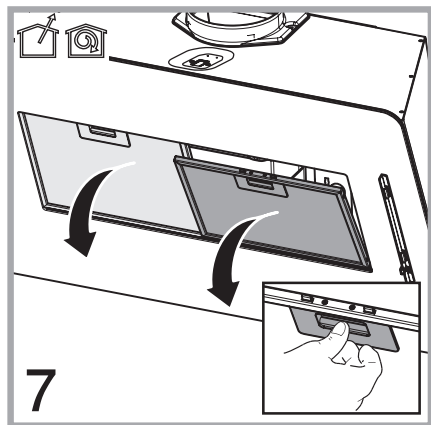
## Liesikuvun seinäasennuksen suorittaminen

Irrota etupaneelin ja kiinnitä liesikupu seinään. (Kuva 6)

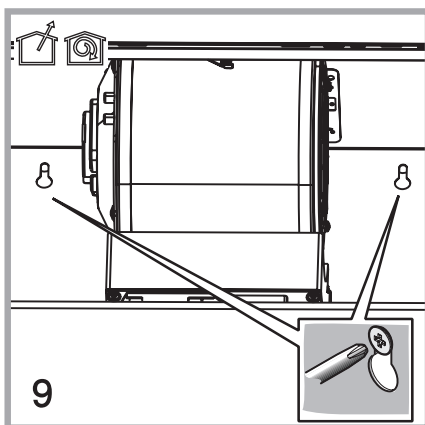


# Laitteen asentaminen

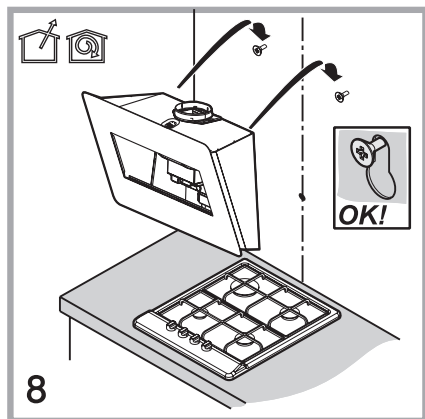
Irrota suodattimet. (Kuva 7)



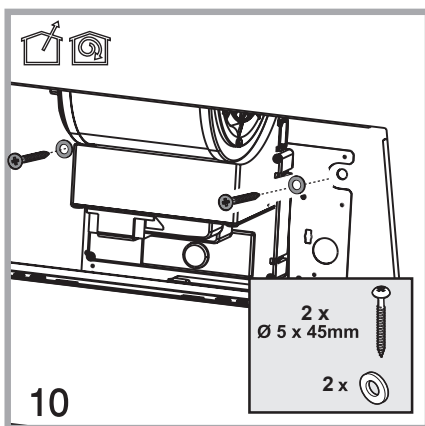
Kiinnitä liesikupu kiristämällä ruuvit. (Kuva 9)



Aseta liesikupu siten, että ruuvit vastaavat ruuvinkantoja. (Kuva 7)

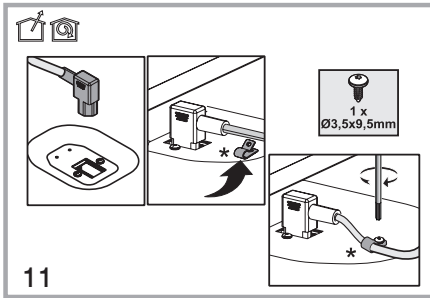


Kiinnitä liesikupu kiristämällä  $\emptyset$  5x45 ruuvi kiinni aluslaatan kanssa. (Kuva 10)

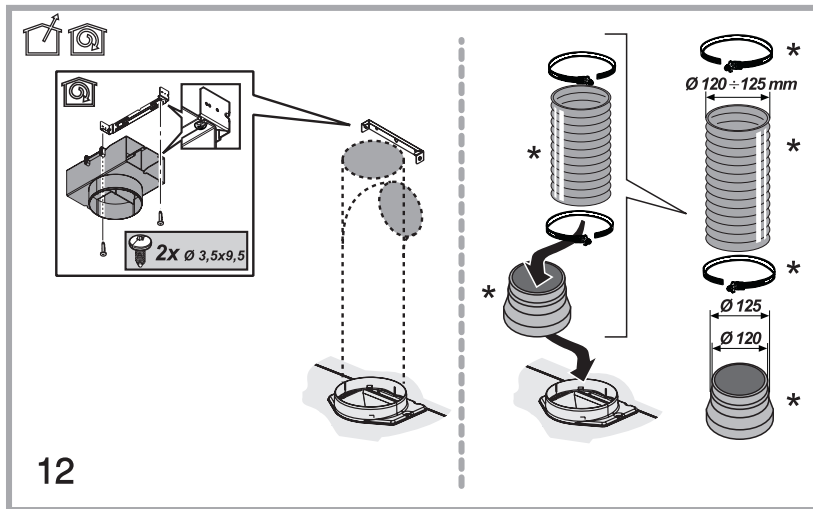


# Laitteen asentaminen

Kytke pistorasiaan. Kiinnitä kaapeli Ø 3,5x9,5 ruuvilla. (Kuva 11)



Sijoita hormiliitäntä kuvien mukaisesti (Kuva 12, 13, 14).



# Laitteen asentaminen

ENG

DE

SV

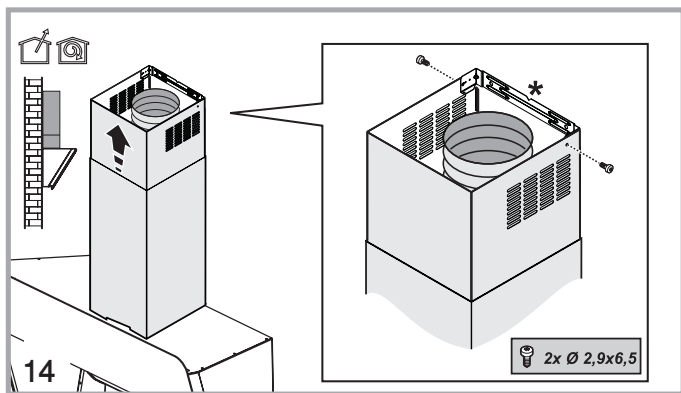
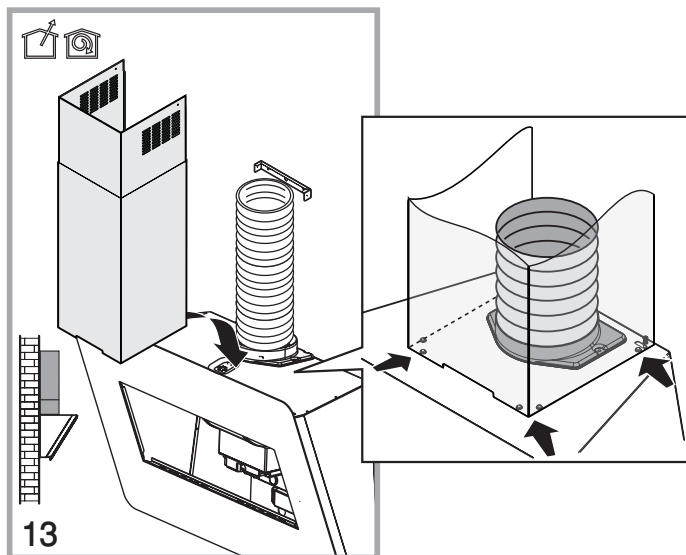
NO

FI

DA

IT

CS

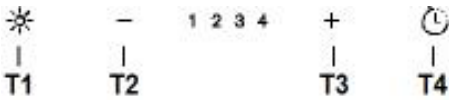


# Laitteen käyttäminen

## Käyttö

Käytä korkeaa imutehoa, jos keittiössä muodostuu runsaasti höyryä. Uunin liesikuvun imulaite suositellaan avattavan 5 minuuttia ennen ruoanlaiton alkamista ja se suositellaan jätettävän auki käytön ajaksi ja 15 minuutiksi ruoanvalmistuksen päättymisen jälkeen.

## Ohjaus tasoilla



### T1. Valojen kytkeminen päälle/pois (ON/OFF)

### T2. Nopeuden laskeminen

Kun painat "T2"-painiketta, nopeutta lasketaan tasolta 4 (nopea) tasolle 1.

Kun painat "T2"-painiketta liesikuvun ollessa käynnissä tasolla 1, liesikupu kytketään pois käytöstä (kytketään OFF-asentoon).

### T3 Nopeuden lisääminen

Painamalla T3-painiketta liesikupu kytketään OFF-

asennosta käyttöön tasolle 1.

Painamalla painiketta (liesikuvun ollessa ON-asennossa) moottori vaihtuu tasolta 1 tasolle 4 (nopea).

Jokaisella nopeustasolla on vastaava LED-valo.

Nopeustaso 1 led 1

Nopeustaso 2 led 2

Nopeustaso 3 led 3

Nopea nopeustaso led 4 (vilkkuu)

Nopea nopeustaso on aikasäädety. Vakio ajansäätö on 5 minuuttia. Jakson päättyessä liesikupu vaihtaa nopeustasolle 2.

Poistuu tilasta painamalla T2-painiketta ennen asetetun jakson kulumista, liesikupu vaihtaa nopeustasolle 3.

## T4 Nopeustasojen aikasäätö

Nopeustasojen aikasäätö tehdään painamalla T4-painiketta. Kun aika-asetus päättyy, liesikupu sammutetaan automaattisesti.

Ajastus on esitetty seuraavassa:

1. Nopeustaso 1 - 20 minuuttia (led 1 vilkkuu)

Nopeustaso 2 - 15 minuuttia (led 2 vilkkuu)

Nopeustaso 3 - 10 minuuttia (led 3 vilkkuu)

Nopeustaso 4 - 5 minuuttia (led 4 vilkkuu)

Jos T2-painiketta painetaan ajastetun käyttötilan aikana, liesikupu poistuu ajastetusta käyttötilasta ja nopeustaso laskee.

Jos T3-painiketta painetaan, liesikupu poistuu ajastetusta käyttötilasta ja nopeustaso nousee.

Jos T4-painiketta painetaan ajastetun käyttötilan aikana, liesikupu poistuu ajastetusta käyttötilasta mutta nopeustaso säilyy muuttumattomana.



# Laitteen käyttäminen

## Rasvasuodattimen hälytys

Kun liesikupua on käytetty 40 tuntia, LED 1 alkaa vilkkua.

Kun hälytys annetaan, rasvasuodattimen puhdistus on tarpeen.

Nollaa hälytys painamalla T4-painiketta 5 sekunnin ajan.

BEEP-äänimerkki kuuluu ja led 1 lopettaa vilkkumisen.

## Hiilikuitusuodattimen hälytys

Kun liesikupua on käytetty 160 tuntia, LED 2 alkaa vilkkua.

Kun hälytys annetaan, hiilikuitusuodattimen on vaihdettava uuteen.

Nollaa hälytys painamalla T4-painiketta 5 sekunnin ajan.

BEEP-äänimerkki kuuluu ja LED 2 lopettaa vilkkumisen.

Siinä tapauksessa, että molempien suodattimien hälytykset kuuluvat samanaikaisesti, LED 1 ja LED 2 vilkkuvat keskeytyksettä.

Hälytykset voi silloin nollata edellä kuvatun toimenpiteen avulla.

Ensimmäisessä vaiheessa hiilikuitusuodattimen hälytys nollataan, kun taas rasvasuodattimen hälytys nollataan toisessa vaiheessa.

Vakiotoimintatilassa hiilikuitusuodattimen hälytys on epäaktiivinen.

Kun käytetään suodattimella varustettua liesikupua, hiilikuitusuodattimen hälytys on aktivoitava.

## Hiilikuitusuodattimen hälytyksen aktivoiminen

Aseta liesikupu OFF-asetukselle painamalla T4-painiketta 5 sekunnin ajan.

Kun painiketta on painettu, aktiivisten suodattimien LED-valot vilkkuvat.

BEEP-äänimerkki kuuluu ja LED 2 syttyy palamaan.

LED 1 ja 2 syttyvät noin 2 sekuntia ennen kuin liesikupu kytkeytyy OFF-asentoon.

Hiilikuitusuodattimen hälytyksen aktivoinnin poistaminen:

Aseta liesikupu OFF-asetukselle painamalla T4-painiketta 5 sekunnin ajan.

Kun painiketta on painettu, aktiivisten suodattimien LED-valot vilkkuvat.

BEEP-äänimerkki kuuluu ja LED 2 sammuu.

LED 1 syttyy noin 2 sekuntia ennen kuin liesikupu kytkeytyy OFF-asentoon.

## Energiätehokas käyttö:

- Kun käytät liesikupua, säädä nopeustaso ruoanlaiton haju- ja höyryvoimakkuuden mukaan, jotta vältetään tarpeetonta virrankulutusta.
- Käytä matalampia nopeustasoja (1-2) normaali olosuhteissa ja korkeita nopeustasoja (3-4), kun syntyy runsaasti hajuja ja höyryjä.

# Laitteen käyttäminen

- Liesikuvun valot ovat tarkoitettu ruoanlaittoalueen valaisemiseen.

Ympäristön/keittiö valaisemiseen käytettäessä ne kuluttavat tarpeettomasti tehoa ja niiden valaistus on riittämätön.

## Liesikuvun käyttäminen:

- Liesikupu on varustettu moottorilla, jossa on useita nopeusasetuksia.
- Paremman suorituskyvyn varmistamiseksi suosittelemme käyttämään matalia nopeuksia normaaleissa olosuhteissa ja korkeita nopeuksia, kun hajuja ja höyryjä muodostuu paljon.
- Voit käyttää liesikupua painamalla haluttua nopeustason painiketta.
- Voit valaista ruoanlaittoalueen painamalla valonäppäintä. (A)

# Puhdistaminen ja huolto

Ennen puhdistusta ja huolto kytke laite irti verkkovirrasta, sammuta pääkatkaisijasta tai irrota liesikuvun virransyötön sulake.

## Puhdistus

Liesikupu on puhdistettava säännöllisesti (vähintään yhtä usein kuin huollat rasvasuodattimet) sisä- ja ulkopuolelta.

Puhdista liesikupu lämpimällä, kostealla liinalla ja neutraalilla nestepesuaineella.

Älä käytä hankaavia puhdistusaineita. EI SAA KÄYTTÄÄ ALKOHOLIA.

## VAROITUS!

- Liesikuvun peruspuhdistusohjeiden ja suodattimien vaihdon laiminlyöminen voi aiheuttaa tulipalon.

Suosittellemme siksi noudattamaan annettuja ohjeita.

Valmistaja ei ole vastuussa moottorivioista eikä tulipalon aiheuttamisesta vahingoista, joita aiheutuu riittämättömästä huollosta tai edellä mainittujen turvallisuussuositusten laiminlyönnistä.

## Oheisimupaneeli

### Paneelin huolto Irrottaminen:

- Siirrä paneelia ylöspäin 2 cm verran,
- Vedä paneelia itseesi päin.

### Puhdistus:

Imupaneeli tulee puhdistaa yhtä usein kuin rasvasuodattimet.

Puhdista kostealla liinalla ja neutraalilla nestepesuaineella.

Älä käytä hankaavia aineita. ÄLÄ PUHDISTA ALKOHOLILLA.

### Kiinnittäminen:

Kokoa vastakkaisessa järjestyksessä kuin irrotettaessa.

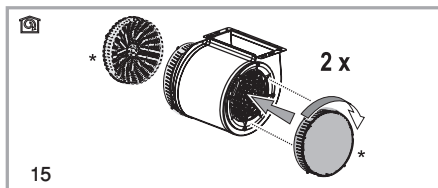
Varotoimi! Varmista että paneeli on asetettu paikoilleen ja kiinnitetty oikein.

### Hiilikuitusuodatin (vain suodattimella varustetut mallit)

Hiilikuitusuodatin saattaa täytyä pitkään käytettäessä riippuen ruoanvalmistustavoista ja onko rasvasuodatin puhdistettu säännöllisesti.

Suodatinkasetti tulee aina vaihtaa vähintään neljän kuukauden välein (tai kun suodattimen täyttymisen merkkijärjestelmä ilmoittaa, että suodatin on vaihdettava, kun käytettävissä mallissa). (Kuva 15)

Hiilikuitusuodatinta ei voi pestä ja käyttää uudelleen.



### Pyöreä hiilikuitusuodatin

Aseta yksi suodatin moottorin lapojen suojakoteloiden viereen, käännä sitten osaa myötäpäivään.

Irrota kääntämällä osaa vastapäivään.

# Puhdistaminen ja huolto

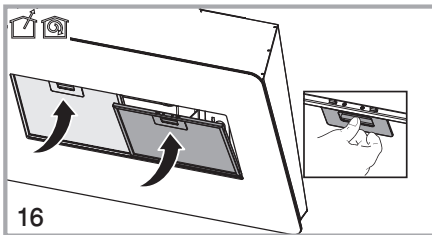
## Rasvasuodatin

Imee rasvahiukkaset, joita muodostuu ruoanlaiton aikana.

Rasvasuodatin on puhdistettava kuukausittain (tai jos suodattimen täyttymisen ilmaisin - jos mallissa - ilmoittaa vaihtoajasta) happovaipalla pesuaineella käsin tai astiapesukoneessa matalassa lämpötilassa ja lyhyellä pesujaksolla.

Kun rasvasuodatin pestään astiapesukoneessa, rasvasuodattimen väri saattaa hieman haalistua, mutta se ei vaikuta suodattimen suodatusominaisuuksiin.

Irrota rasvasuodatin vetämällä jousen vapautusvivusta. (Kuva 16)



## Puhdistus

Älä laiminlyö liesikuvun puhdistamista, varsinkaan silloin kun olet paistanut liesitasolla.

Käytä pehmeää nestepesuaineessa kasteltua liinaa liesikuvun ulkopinnan puhdistamiseen.

Älä käytä puhdistamisessa hankaa- via tai naarmuttavia materiaaleja.

Voit käyttää kaupallisia puhdistusaineita pinttyneen rasvan jne. irrottamiseen noudattamalla laitteen varoituksia.

Jotta et naarmuta harjattua teräsrunkoa, pyyhi pintaa samaan suuntaan kuin harjan jäljet.

Älä käytä puhdistuksessa suolahappoa sisältäviä aineita, valkaisuainetta tai hankausjauheita, jotta laitteen pinnan laatu säilyy. Käytä saippuavedessä kostutettua liinaa tai ruostumattomalle teräkselle tarkoitettua puhdistussuihketta ruostumattomien teräspintojen puhdistukseen. Irrota laitteen suojakalvo.

## Varotoimi!

Saatat aiheuttaa tulipalon, jollet noudata liesikuvun puhdistus- ja suodattimen vaihto-ohjeita.

## Jos laite on siirrettävä:

Säilytä laitteen alkuperäinen pakkaus. Kuljeta laitetta alkuperäisessä pakkauksessaan ja noudata alkuperäispakkauksen kuljetusmerkintöjä.

## Jos alkuperäinen pakkaus ei ole tallessa:

- Älä sijoita mitään esineitä liesikuvun päälle.
- Suojaa ulkopinnat kolhuilta.
- Pakkaa laite siten, ettei se vahingoitu kuljetuksen aikana.

## Lampun vaihtaminen

### VAROITUS!

Varmista ennen lamppuun koskemista, että se on jäähtynyt.

Ota yhteys valtuutettuun huoltoon valaisimen vaihtoa varten.

# Vigtige anvisninger til sikkerhed og miljø

ENG

DE

SV

NO

FI

DA

IT

CS

Dette afsnit indeholder sikkerhedsanvisninger, der vil hjælpe med at undgå risiko for personskade eller skade på ejendom. Manglende overholdelse af disse anvisninger vil annullere garantien.

## 1.1 Generel sikkerhed

- Installation og reparation af produktet må kun udføres af autoriseret serviceagent. Producenten fraskriver sig ethvert ansvar for skader forårsaget af uautoriserede personer.
- Dette apparat er ikke beregnet til at blive brugt af personer (inklusive børn) med reducerede fysiske, sensoriske eller mentale evner, eller mangel på erfaring eller viden. Børn skal overvåges for at sikre, at de ikke leger med apparatet.

## 1.1.1 Elektrisk sikkerhed

- Under installationen, vedligeholdelsen, rengøringen og reparationen skal produktet altid frakobles elnettet.
- Hvis strømkablet er beskadiget, skal det udskiftes af en kvalificeret person, som er certificeret af producenten, ved eftersalgsservice eller en tilsvarende kompetent person (helst en elektriker) eller af en person, der udpeges af importøren.
- Driftsspænding er 220–240 volt.
- Hvis produktet har fejl, bør det ikke bruges, før det er blevet repareret af en autoriseret serviceagent. Der er risiko for elektrisk stød!
- Undgå at føre strømkabler tæt på kogeplader. Kablerne smelter meget nemt, hvilket kan medføre brand.

# Vigtige anvisninger til sikkerhed og miljø

- Tilslut aldrig emhætten, før installationen er færdig.
- For at opnå den bedste ydeevne må den ekstern leder ikke være længere end 4 meter. Den må ikke indeholde mere end 2 vinkelrette (90 °) vinkler, og dens diameter skal være min. Ø 120 mm.
- Kobl apparatet fra strømmen, før du udfører en indgriben i nogen indre dele af apparatet.
- Brug kun apparatet med en stikkontakt med jordforbindelse.
- Overhold de regler, der er fastsat af myndighederne, vedrørende udledningen af udstødningsluften.
- Afstanden mellem bunden af emhætten og toppen af komfuret/ovnen må ikke være mindre end 65 cm for gaskogeplader og 50 cm for elektriske kogeplader.
- Brug ikke emhætten uden aluminiumsfiltere, og fjern ikke filtere, når emhætten er tændt.
- Berør aldrig emhættens lamper, efter at de har været tændt i en længere periode. Varme lamper kan forbrænde din hånd.

## 1.1.2 Produktsikkerhed

- Du kan bruge et rør med en diameter på 120 mm på emhættens aftrækstilslutning.
- Undlad at foretage tilslutninger til aftræk, der er forbundet med brændeovne, udtrækskanaler eller aftræk med stigende flammer.
- Undgå store flammer under produktet. Ellers kan partikler på oliefilteret tændes og forårsage brand.
- Tænd for kogepladen, efter du har placeret gryder på den. Ellers kan stigende varme deformere nogle dele af produktet.

# Vigtige anvisninger til sikkerhed og miljø

- Sluk kogepladen, før du tager gryder og pander af.
- Undgå brændbare materialer under emhætten.
- Olie kan antændes under stegning. Vær derfor forsigtig med tøj og gardiner.
- Lad aldrig komfuret være uden opsyn, når du steger fødevarer, da varm olie kan forårsage brand.
- Der er en risiko for brand, hvis emhætten ikke rengøres i de angivne perioder.
- Vær meget forsigtig, og bær handsker, når du rengør emhætten.
- Vi anbefaler at tænde for emhætten et par minutter, før du starter madlavning, for at øge indsugningskraft. Således vil du have konstant og stabil sugeeffekt, når dampene opstår.
- Lad emhætten køre i 15 minutter, efter at du er færdig med madlavning, for at fjerne madlugte og damp fra køkkenet.
- Når emhætten er i brug, især sammen med gas-komfuret, skal du sørge for, at omgivelser er ventileret og forsynet med ren luft.
- Undlad at tilslutte apparatet til aftræk, der bruges af ikke-elektriske enheder. (f.eks.: varme-aftræk).
- Samtidig og problemfri drift af emhætten og en anden enhed, der kræver luft, er kun mulig, når et lavt tryk på 4 Pa (0,04 mbar) er nået, og reabsorption af gassen undgås på den måde. Dette kan kun opnås ved hjælp af luft, der kommer ind fra udækkede åbninger (døre, vinduer, ventilationsåbninger eller andre tekniske foranstaltninger). Vær særlig opmærksom på at sørge for tilstrækkelig luft. Et aftræk, der giver luftindtrængen/-udgang, er ikke tilstrækkeligt til dette formål.

# Vigtige anvisninger til sikkerhed og miljø

## 1.1.3 Sikkerhed for børn

- Emballagen er farlig for børn. Hold emballagen på et sikkert sted og uden for børns rækkevidde.
- Elektriske produkter er farlige for børn. Hold børn på afstand af produktet. Børn må ikke lege med apparatet.
- Dette apparat kan bruges af børn, der er 8 år eller derover, og af mennesker, der har begrænset fysisk, sensorisk eller mental kapacitet, eller som ikke har viden og erfaring, så længe de er under opsyn med hensyn til sikker brug af produktet, eller de instrueres i overensstemmelse hermed og forstår risiciene ved at bruge produktet. Børn må ikke lege med apparatet.
- **FORSIGTIG:** Tilgængelige dele kan blive meget varme, når de bruges med et madlavningsapparat.

## 1.2 Tilsigtet brug

- Apparatet er beregnet til hjemmebrug. Det er ikke egnet til kommerciel brug og må ikke anvendes til andet end den tilsigtede brug.
- Producenten er ikke ansvarlig for nogen skade, der er forårsaget af forkert brug eller håndtering.
- Levetiden på dit apparat er 10 år. Det er den periode, hvor det er muligt at få reservedele, så produktet fungerer korrekt.
- **ADVARSEL:** Manglende fastsættelse af skruerne i overensstemmelse med instruktionerne i manualen kan føre til elektrisk stød.



# Vigtige anvisninger til sikkerhed og miljø

ENG

DE

SV

NO

FI

DA

IT

CS

## 1.3 Tekniske data



Dette apparat er støjdæmpet i henhold til de gældende EU direktiver.

Produktet lever op til de europæiske direktiver 2014/53/EU, 2009/125/EC og 2011/65/EU.

Du kan finde CE overensstemmelseserklæring for dette apparat som en pdf-fil på Grundig Hjem-meside [www.grundig.com/download/doc](http://www.grundig.com/download/doc).

Ret til tekniske og designmæssige ændringer forbeholdes.

## 1.4 Overholdelse af WEEE-direktivet og bortskaffelse af affald:

Dette produkt er i overensstemmelse med WEEE-direktiv (2012/19/EU). Dette produkt bærer et symbol for klassificering af bortskaffelse af elektrisk og elektronisk udstyr (WEEE).



Dette produkt er fremstillet af dele og materialer af høj kvalitet, der kan bruges igen, og som er egnede for genbrug. Smid ikke pro-

duktet med husholdningsaffald og andet affald ved slutningen af dets levetid. Bring det til et opsamlingssted for genbrug af elektroniske og elektriske apparater. Kontakt dine lokale myndigheder for at finde nærmeste opsamlingssted.

## Overholdelse af RoHS-direktivet:

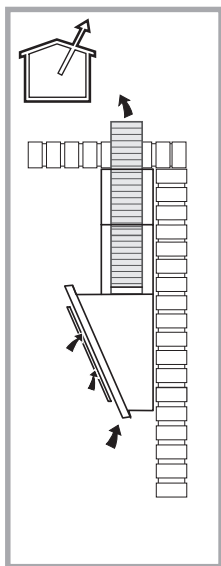
Det produkt, du har købt, er i overensstemmelse med EU RoHS-direktivet (2011/65/EU). Det indeholder ikke skadelige og forbudte materialer angivet i direktivet.

## 1.5 Information om emballagen

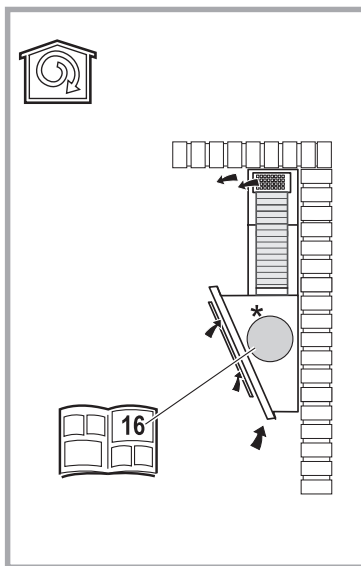



Produktets emballage er fremstillet fra genbrugsmaterialer i overensstemmelse med nationale miljølove. Smid ikke emballagen sammen med husholdningsaffald eller andet affald. Tag den til indsamlingssted for emballage, som er udpeget af lokale myndigheder.

# Tekniske specifikationer



 Brug med aftræk



 Brug med kulfilter

De værdier, der er angivet på produktmærkaterne eller i dokumentationen, der er vedlagt produktet, er målt i laboratorium i overensstemmelse med relevante standarder. Sådanne værdier kan variere afhængigt af brugen af produktet og de omgivende betingelser.

# Montering af apparatet

Kontakt den nærmeste autoriserede service for at installere emhætten.

\*Forberedelse af placering og elektrisk installation til produktet er under kundens ansvar.

## Forsigtig!

Fjern den beskyttende film (hvis nogen) på emhætten og aftræks overflade efter installationen.

Afstanden mellem bunden af emhætten og toppen af kogepladen må ikke være mindre end 50 mm.

Tilkald en elektriker til at installere elektriske ledninger.

Installér apparatet, så du kan nå strømtilslutning (stik, stikkontakt) let efter installationen.

Alle dimensioner er i mm.

## Elektrisk tilslutning

Strømforsyningen skal overholde værdier angivet på emhættens typeplade. Tilslut emhætten til en stikkontakt i overensstemmelse med gældende regler ved hjælp af et stik, som skal være let tilgængeligt. Efter installationen; hvis enheden ikke har et stik (direkte tilslutning af strøm), eller stikket er uden for rækkevidde, skal du bruge en dobbelt-polet afbryder i overensstemmelse med de standarder, der muliggør frakobling af stikket under omstændigheder relateret til overdreven flow kategori III.

**Advarsel:** Før du tilslutter emhætten strømforsyningen og kontrollerer, om den virker korrekt, skal du sikre, at strømkildens stik er sat korrekt.

Emhætten har et særligt stik i tilfælde af, at kablet er beskadiget; Kontakt autoriseret teknisk service.

## Samling

### Før du starter:

- Kontroller, at det købte produkt har størrelse, der passer til monteringsområdet.
- Fjern filteret af aktivt kul (\*), hvis leveret (se også det relevante afsnit). Det/de vil kun blive monteret, hvis du vil bruge emhætten med filter.
- Kontroller, om andet materiale (såsom skrue-pakke (\*), garanti-bevis (\*) etc.) fulgte med emhætten og hvis det er, skal du fjerne det og opbevare andet sted.
- Hvis det er muligt, skal du fjerne skabsdør eller trække ovnen ud for at komme til bagvæggen/loftet. Er dette ikke muligt, dæk skabet, ovnen eller komfuret med en tyk beskyttende klud for at sikre dem mod skader og snavs. Vælg en flad overflade til at installere enheden. Dæk overfladen med en beskyttende klud og placer alle dele af emhætten på den.

# Montering af apparatet

- Desuden; kontroller, om et stik er tilgængeligt på monteringsstedet af emhætte (også på et tilgængeligt sted efter montering af emhætten) og kontroller, om tilslutning af emhætten til udtræk (kun for modellen med aspiration) er mulig.
- Afslut alle nødvendige foranstaltninger i forbindelse med væg (f.eks. tilslut strømstik og / eller lav et hul til udledningsslange).

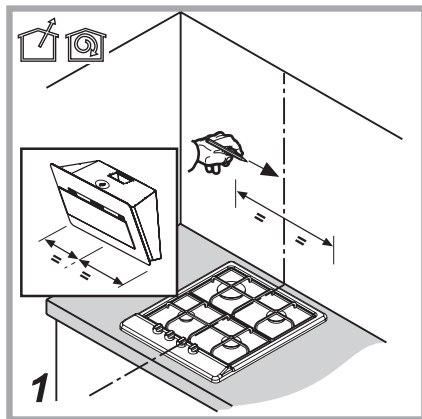
Brede dybler bruges til at fastgøre emhætten til en bred vifte af væg / loft typer. Derudover bør egnethed af materiale til væg / loft type bekræftes af en kvalificeret tekniker. Væggen/loftet skal kunne bære emhætten. Emhætten må ikke installeres på fliser, gips eller silicium overflader. Den skal kun fastgøres til en væg.

Hvis der er et panel og / eller sidevæg og / eller møbler, skal du kontrollere, at der er tilstrækkelig plads til montering af emhætten, og at kontrolpanelet er let tilgængeligt.

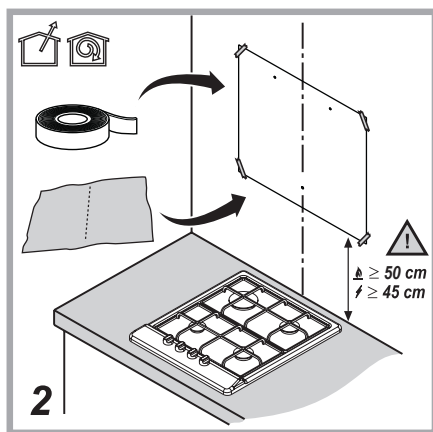
Oplysninger, der kræves til forberedelse af monteringsstedet for din emhætte, er angivet nedenfor.

## Forberedelse til montering af emhætten på væggen

Markér de steder, hvor monteringskabelonen skal hænges. (Figur 1)

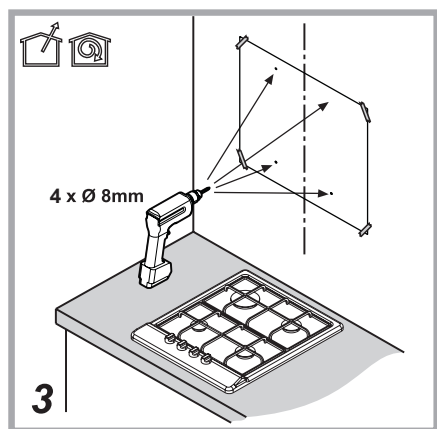


Fastgør monteringskabelonen til monteringsstedet for emhætten. (Figur 2)

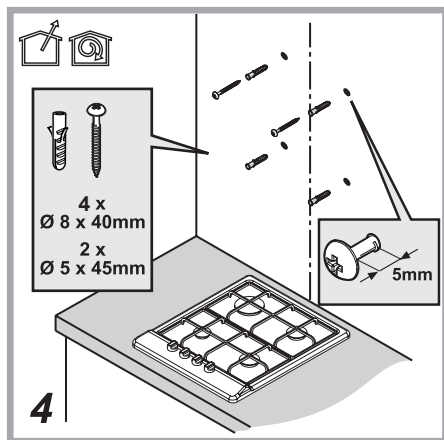


# Montering af apparatet

Bor huller med  $\varnothing$  8 mm bor på markerede punkter. (Figur 3)



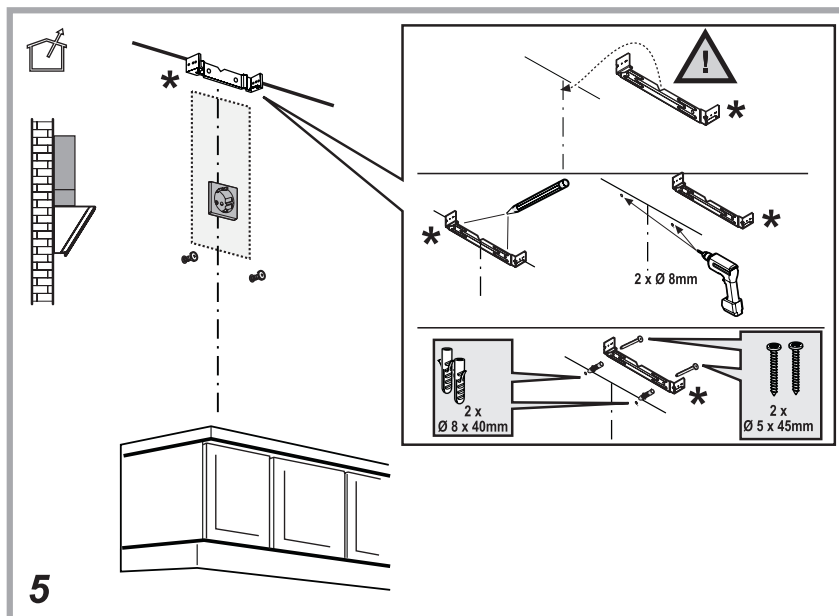
Bank 3  $\varnothing$  8x40 dybler i de borede huller. Skru 2  $\varnothing$  5x45 mm hænge-skruer i dyblerne. Der skal være en afstand på 5 mm mellem skrueho-vedet og væggen. (Figur 4)



# Montering af apparatet

## Montering af aftræk

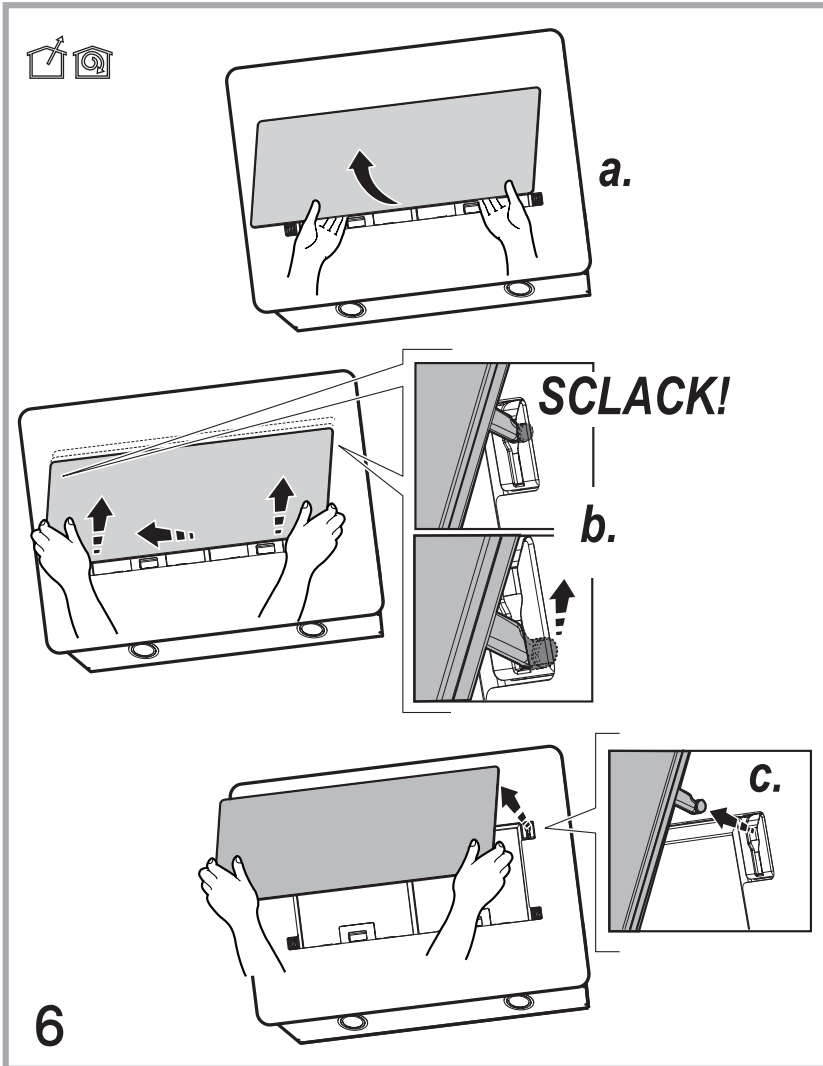
Bor huller på de markerede punkter med  $\varnothing 8$  mm bor for at fastgøre aftrækspladen. Bank 2  $\varnothing 8 \times 40$  dyvler i de borede huller. Skru 2  $\varnothing 5 \times 45$  mm hængeskruer i dyvlerne. (Figur 5)



# Montering af apparatet

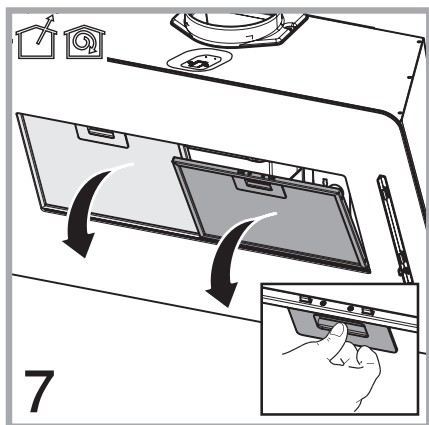
## Montering af emhætten på væggen

Fjern frontpanelet for at montere emhætten på væggen. (Figur 6)

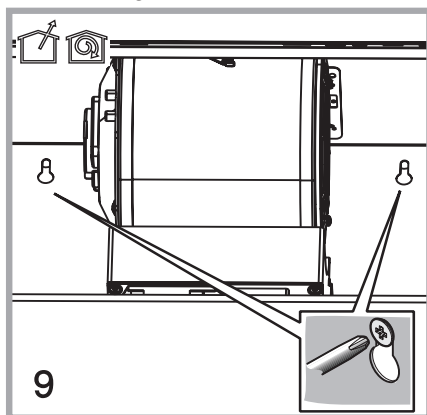


# Montering af apparatet

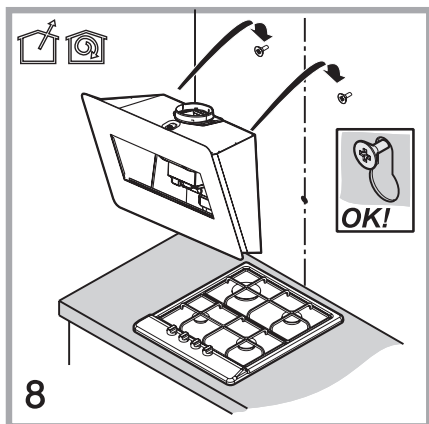
Fjern filtre. (Figur 7)



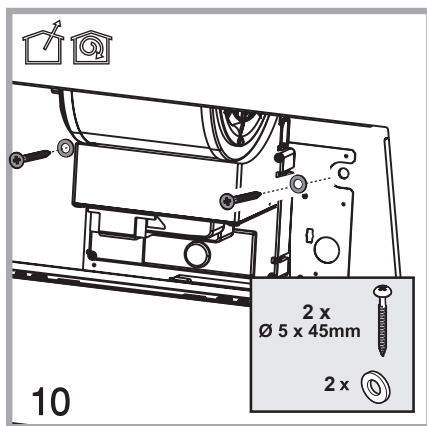
Stram skruerne for at fastgøre emhætten. (Figur 9)



Placér emhætten, så skruerne passer til skruenhoveder. (Figur 8)



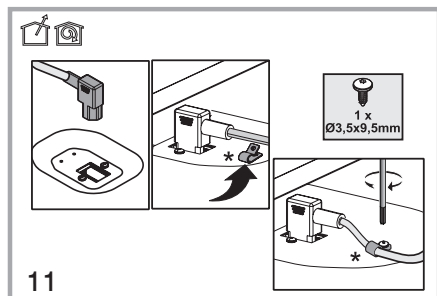
For at fastgøre emhætten, skal den spændes med  $\varnothing 5 \times 45$  skruer ved brug af en skive. (Figur 10)



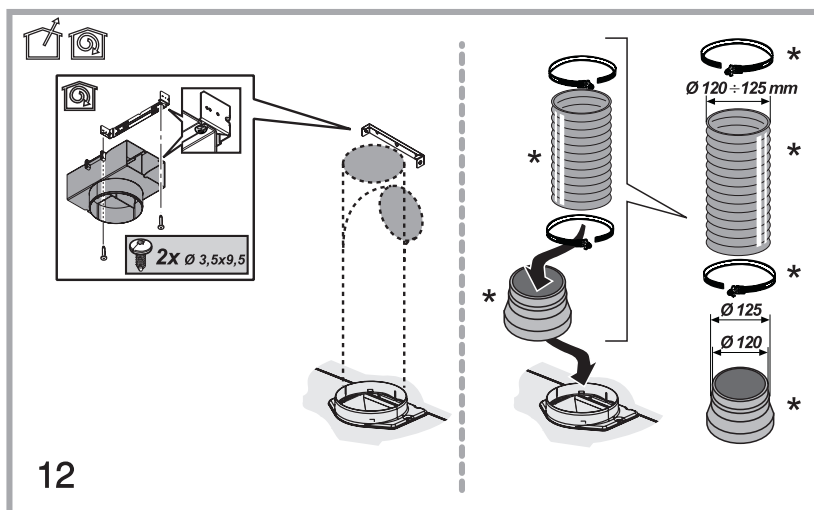


# Montering af apparatet

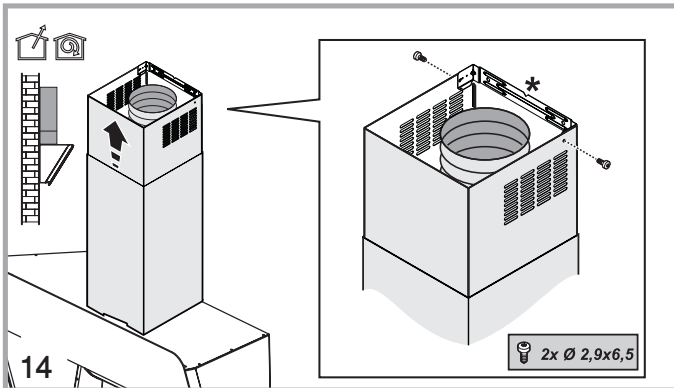
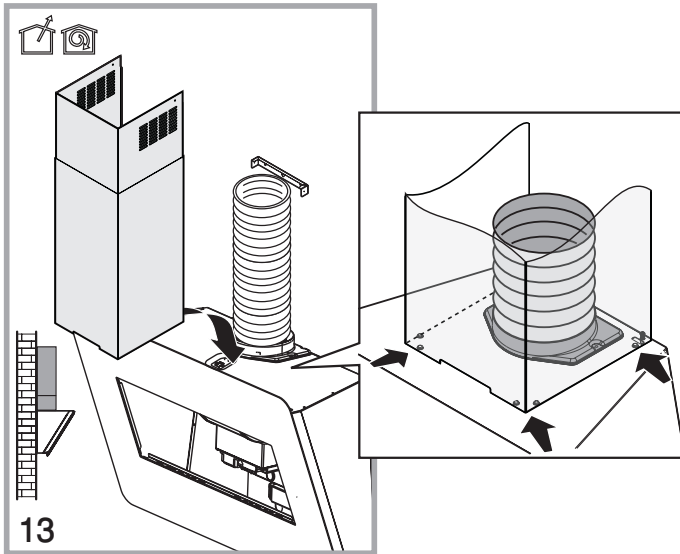
Sæt stikkontakten. Brug  $\varnothing 3,5 \times 9,5$  skruen for at fastgøre kablet. (Figur 11)



Placér aftræksforbindelse i henhold til tegninger (Figur 12, 13, 14).



# Montering af apparatet

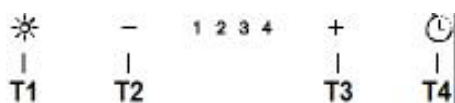


# Betjening af apparatet

## Betjening

Brug høj sugekraft, hvis der er meget damp i køkkenet. Det anbefales, at emhættens sugeenhed åbnes 5 minutter før påbegyndelsen af madlavning og kører i 15 minutter efter endt tilberedning.

## Styring med 4 niveauer



**T1 Tænder/slukker lyset (ON/OFF)**

### T2 Nedsat hastighed

Ved at trykke på T2-knappen sænkes hastigheden fra niveau 4 (intensivt) til niveau 1.

Ved at trykke på T2-knappen mens emhætten kører i niveau 1, slukkes emhætten (sat til OFF-position).

### T3 Øget hastighed

Ved at trykke på T3-knappen, skiftes emhætten fra OFF-position til drift i hastighedsniveau 1.

Ved at trykke på knappen (nå emhætten er i ON-position), vil motoren skifte fra niveau 1 til 4 (intensivt).

Hvert hastighedsniveau har sit tilsvarende lys.

Hastighedsniveau 1 LED 1

Hastighedsniveau 2 LED 2

Hastighedsniveau 3 LED 3

Intensivt hastighedsniveau 4 (blinker) Intensivt hastighedsniveau er tidsindstillet.

Standard tidsindstilling er 5 minutter. I slutningen af den tid vil emhætten skifte hastigheden til niveau 2.

Tryk på T2-knappen for at forlade denne tilstand før tidens udløb, så emhætten skifter til hastighedsniveau 3.

## T4 Tidsindstilling af hastighedsniveauer

Tidsindstillingen af hastighedsniveauer sikres ved at trykke på T4-knappen når tiden kommer til ende, og emhætten slukkes automatisk.

Tidsindstilling vises nedenfor:

1. Hastighedsniveau - 20 minutter (LED 1 blinker)

Hastighedsniveau 2 - 15 minutter (LED 2 blinker)

Hastighedsniveau 3 - 10 minutter (LED 3 blinker)

Hastighedsniveau 4 - 5 minutter (LED 4 blinker)

Når T2-knappen trykkes i tidsindstilling-driftstilstand, vil emhætten forlade denne tilstand og hastighedsniveauet vil falde.

Når T3-knappen trykkes, vil emhætten forlade tidsindstilling-driftstilstand og hastighedsniveauet vil stige.

# Betjening af apparatet

Når T4-knappen trykkes, vil emhætten forlade tidsindstilling-driftstilstand, men hastighedsniveauet vil forblive det samme.

## Alarm for fedtfilter

Efter 40 timers drift begynder LED 1 at blinke.

Det betyder, at der er tid til rengøring af fedtfilteret.

For at nulstille alarmer, tryk på T4-knappen i 5 sekunder.

Du vil høre en biplyd, og LED vil holde op med at blinke.

## Alarm for kulfilter

Efter 160 timers drift begynder LED 2 at blinke.

Det betyder, at der er tid til rengøring af kulfilteret.

For at nulstille alarmer, tryk på T4-knappen i 5 sekunder.

Du vil høre en biplyd, og LED 2 vil holde op med at blinke.

Hvis alarmer for begge filtre høres simultant, vil LED 1 og 2 blinke med mellemrum.

I det tilfælde kan du nulstille alarmer ved at udføre ovenstående procedure.

Først vil alarmer for kulfilteret blive nulstillet, og dernæst alarmer for fedtfilteret.

I standard driftstilstand er kulfilter-alarmer inaktiv.

Ved brug af emhætten med filtre skal alarm for kulfilter blive aktiveret.

## Aktivering af alarm for kulfilter

Sæt emhætten i OFF-positionen og tryk på T4-knappen i 5 sekunder.

Når knappen er holdt nede, vil LED relateret til de aktive filtre blinke.

Du vil høre en biplyd, og LED 2 vil lyse op.

LED 1 og 2 vil lyse i ca. 2 sekunder, før emhætten går over til OFF-position.

Deaktivering af alarm for kulfilter:

Sæt emhætten i OFF-positionen og tryk på T4-knappen i 5 sekunder.

Når knappen er holdt nede, vil LED relateret til de aktive filtre blinke.

Du vil høre en biplyd, og LED 2 vil slukke.

LED 1 vil lyse i ca. 2 sekunder, før emhætten går over til OFF-position.

## Energieffektiv brug:

- Ved drift af emhætte, indstil hastighedsniveau i henhold til intensitet af lugt og damp for at undgå unødvendig strømforbrug.
- Brug lave hastighedsniveauer (1-2) under normale forhold og høje hastighedsniveauer (3-4) i tilfælde af stor fortætning af lugt og damp.
- Lys på emhætten er beregnet til at oplyse kogezone.

# Betjening af apparatet

Brug af det til at belyse omgivelser/køkken vil resultere i unødvendigt strømforbrug og utilstrækkelig belysning.

## Betjening af emhætten:

- Emhætten er udstyret med en motor med forskellige hastighedsindstillinger.
- For en bedre ydeevne anbefaler vi at bruge lave hastigheder under normale forhold, og høje hastigheder, når lugt og dampe intensiveres.
- Du kan betjene emhætten ved at trykke på knappen for det ønskede hastighedsniveau.
- Du kan belyse kogeområdet ved at trykke på lys-knappen. (A)

# Rengøring og vedligeholdelse

Før rengøring og vedligeholdelse skal stikket tages ud af stikkontakten eller slå hovedafbryderen fra eller løsn sikringen, der forsyner emhætten.

## Rengøring

Emhætten bør rengøres regelmæssigt (mindst med samme frekvens, som du udfører vedligeholdelse af fedtfiltere) indvendigt og udvendigt.

Rengør emhætten ved hjælp af en varm fugtig klud og et neutralt flydende rengøringsmiddel.

Undlad at bruge slibende rengøringsmidler! BRUG IKKE ALKOHOL!

## ADVARSEL!

- Manglende overholdelse af de grundlæggende rengøringsinstruktioner for emhætten og manglende udskiftning af filtre kan resultere i brand.

Derfor anbefaler vi, at du følger disse instruktioner.

Producenten kan ikke holdes ansvarlig for skader på motor og brandskader forårsaget af uheldig vedligeholdelse eller manglende overholdelse af ovennævnte sikkerhedsanbefalinger.

## Perifert sugespanel

### Vedligeholdelse af panel, fjernelse:

- Glid panelet opad i ca. 2 cm.
- Træk panelet mod dig selv.

## Rengøring:

Sugepanelet skal rengøres med samme hyppighed som fedtfiltere.

Rengør ved hjælp af en fugtig klud og et neutralt flydende rengøringsmiddel.

Undgå at bruge slibende produkter. RENGØR IKKE MED ALKOHOL!

## Påmontering:

Følg fjernelsesproceduren i omvendt rækkefølge.

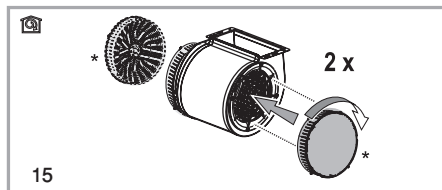
Forsigtig! Sørg for, at panelet sidder fast på plads.

## Kulfilter (kun modeller med filter)

Efter en lang brugsperiode kan kulfilter være fyldt, afhængigt af madlavningstype og om oliefilteret renses regelmæssigt.

Under alle omstændigheder bør patronen udskiftes mindst hver fjerde måned (eller når filterets fylde-indikator angiver, at filteret skal udskiftes, hvis sådan indikator findes i modellen). (Figur 15)

Kulfilter kan ikke vaskes og genbruges.



# Rengøring og vedligeholdelse

## Rundt kulfilter

Anbring et filter ved siden af beskyttelsegitter af motorens propel, og drej derefter delen med uret.

For at afmontere, drej den mod uret.

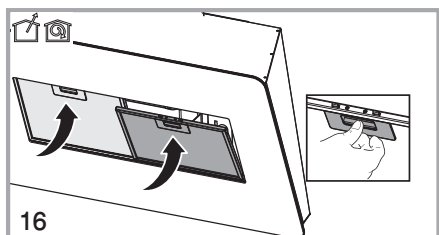
## Fedtfilter

Beholder fedtpartikler, der opstår under madlavning.

Fedtfilter skal rengøres hver måned (eller når filterpåfyldningsindikatoren - hvis den findes i din model - angiver, hvornår det er tid) ved hjælp af syrefrit rengøringsmiddel i hånden eller i en opvaskemaskine med lav temperatur og kort program.

Når filteret vaskes i opvaskemaskine, kan dets farve falme en smule, men det påvirker ikke dets filtreringskapacitet.

Træk fjederudløserhåndtag for at fjerne fedtfilter. (Figur 16)



## Rengøring

Du skal især huske at rengøre emhætten straks efter madlavning.

Brug en blød klud og flydende rengøringsmiddel for at rengøre ydersiden af emhætten.

Brug aldrig skarpe rengøringsmidler eller materialer, der kan ridse, til rengøring.

Du kan bruge rengøringsmidler, der kan købes i butikker, til genstridigt fedt, o.l. og følge advarsler på produktetiketten.

For ikke at ridse kroppen af børstet stål, skal du tørre den i samme retning som penselspor.

Brug ikke rengøringsmidler, som indeholder saltsyre, blegemiddel eller slibende pulver for at bevare kvaliteten af produktets overflade. Brug en klud fugtet i sæbevand eller specielt rengørings-spray til rustfrit stål til overflader af rustfrit stål. Fjern beskyttende folie fra apparatet.

## Forsigtig!

Du kan forårsage brand, hvis du ikke følger vejledningen for rengøring og udskiftning af filtre i din emhætte.

## Hvis du skal transportere apparatet:

Opbevar den originale emballage af apparatet. Transportér apparatet i dets originale emballage, og følg transportmarkeringerne på den originale emballage.

# Rengøring og vedligeholdelse

**Hvis du ikke har den originale kasse:**

- Anbring ikke nogen genstande på emhætten.
- Beskyt de ydre overflader mod stød.
- Pak apparatet, så det ikke ville blive beskadiget under transporten.

## **Udskiftning af pærer**

### **ADVARSEL!**

Før du berører pærer skal du vente, indtil de er kølet ned.

Kontakt autoriseret service for udskiftning af pærer.



# Avvertenze di sicurezza

Questa sezione contiene istruzioni di sicurezza che consentono di prevenire il pericolo di lesioni personali o di danni materiali. L'inosservanza di queste istruzioni invalida la garanzia accordata.

## 1.1 Sicurezza generale

- Far sempre eseguire le procedure di installazione e riparazione dall'agente autorizzato per l'assistenza. Il produttore non sarà considerato responsabile dei danni derivanti da persone non autorizzate.
- Questo apparecchio non è concepito per l'utilizzo da parte di persone (compresi i bambini) con ridotte capacità fisiche, sensoriali o mentali o mancata esperienza o conoscenze. I bambini devono essere controllati per assicurarsi che non giochino con l'apparecchio.

### 1.1.1 Sicurezza elettrica

- Scollegare sempre il prodotto dalla rete durante le procedure di installazione, manutenzione, pulizia e riparazione.
- Se il cavo di alimentazione è guasto, questo deve essere sostituito da una persona qualificata, certificata dal produttore, servizio post-vendita o simile (preferibilmente un elettricista) o una persona descritta dall'importatore.
- La tensione di funzionamento va da 220 a 240 volt.
- In caso di guasti all'apparecchio, non utilizzarlo a meno che non venga riparato da un agente autorizzato per l'assistenza. C'è il rischio di shock elettrico!
- Non instradare il cavo vicino al piano cottura. Altrimenti il cavo di alimentazione potrebbe provocare un incendio poiché si scioglie facilmente.

# Avvertenze di sicurezza

- Non collegare la cappa prima che di aver completato l'installazione.
- Per ottenere le prestazioni migliori, il conduttore esterno non deve essere più lungo di 4 m. Non deve contenere più di 2 angoli perpendicolari (90°) e il diametro deve essere min.  $\varnothing 120$  mm.
- Scollegare l'apparecchio dalla rete prima di qualsiasi intervento alle parti interne dello stesso.
- Usare l'apparecchio solo con una presa con messa a terra.

## 1.1.2 Sicurezza del prodotto

- Si può utilizzare un tubo con un diametro di 120 mm o 150 mm per il collegamento del tubo della cappa.
- Non eseguire collegamenti ai tubi collegati a piani cottura, tubi di sfiato o tubi con fiamme alte. Rispettare le norme previste dalle autorità per lo scarico dell'aria di sfiato.
- L'altezza tra la superficie inferiore della cappa e la superficie superiore di piano cottura/forno non deve essere inferiore a 50 cm per i fornelli a gas e 45 cm per i fornelli elettrici.
- Non utilizzare la cappa senza i filtri di alluminio e non rimuovere i filtri durante il funzionamento.
- Non toccare mai le lampadine della cappa dopo averle utilizzate a lungo. Le lampadine calde possono ustionare la mano.
- Evitare fiamme alte sotto il prodotto. Altrimenti particelle sul filtro dell'olio possono bruciare e portare a un incendio.
- Accendere il piano cottura dopo aver posizionato pentole o padelle sullo stesso.
- Altrimenti il calore in aumento potrebbe deformare alcune parti del prodotto.
- Spegnerne il piano cottura prima di rimuovere pentole o padelle.

# Avvertenze di sicurezza

- Evitare materiali infiammabili sotto la cappa.
- L'olio può prendere fuoco mentre si frigge. Pertanto fare attenzione a panni e tende.
- Non lasciare mai la cucina senza supervisione mentre si frigge; l'olio bollente potrebbe provocare un incendio.
- C'è rischio di incendio se la cappa non viene pulita secondo gli intervalli specificati.
- Prestare un'attenzione estrema e indossare i guanti quando si pulisce la cappa.
- Consigliamo di avviare l'apparecchio qualche minuto prima di cominciare a cucinare, per accrescere la forza di aspirazione. Così si avrà un'aspirazione continua e stabile quando si creano i vapori.
- Utilizzare la cappa per 15 minuti ancora dopo aver completato la cottura o la frittura per rimuovere il vapore e l'odore della cottura dalla cucina.
- Quando la cappa è in uso, soprattutto con la cucina a gas, assicurare che l'ambiente sia ventilato con aria pulita.
- Prestare attenzione a non collegare l'apparecchio ai tubi utilizzati da dispositivi non elettrici. (Per es.: tubo del riscaldatore).
- Il funzionamento simultaneo e corretto della cappa e di un altro dispositivo che richiede aria è possibile solo quando si raggiunge una bassa pressione di 4 Pa (0,04 mbar), evitando così il riassorbimento del gas. Ciò può essere possibile solo facendo arrivare l'aria da aperture scoperte (porta, finestra, aperture di ventilazione o altre misure tecniche).

# Avvertenze di sicurezza

Prestare la massima attenzione alla fornitura di un flusso d'aria sufficiente. Un tubo che fornisce ingresso/scarico di aria non è sufficiente allo scopo.

## 1.1.3 Sicurezza dei bambini

- I materiali di imballaggio sono pericolosi per i bambini. Tenere i materiali di imballaggio in un luogo sicuro, fuori dalla portata dei bambini.
- I materiali elettrici sono pericolosi per i bambini. Tenere i bambini lontani dall'apparecchio. I bambini non devono giocare con l'apparecchio.
- Il presente apparecchio può essere utilizzato da bambini a partire da 8 anni di età e da persone con capacità fisiche, sensoriali o mentali limitate o che non hanno conoscenze ed esperienza, a condizione che siano sotto supervisione per un uso sicuro del prodotto o siano stati istruiti e comprendano i

potenziali pericoli derivanti dall'uso del prodotto. I bambini non devono giocare con l'apparecchio.

- **CAUTELA:** Le parti accessibili potrebbero surriscaldarsi quando si utilizza un dispositivo di cottura.

## 1.2 Uso previsto

- Questo apparecchio è concepito per uso domestico. Non è idoneo a un uso commerciale e non deve essere usato oltre il suo uso previsto.
- Il produttore non sarà responsabile per danni provocati da uso o gestione non corretti.
- La vita di servizio dell'apparecchio è 10 anni. Questo è il periodo previsto per la disponibilità delle parti di ricambio necessarie al funzionamento corretto del prodotto.
- **AVVERTENZA:** Se non si fissano le viti in conformità alle istruzioni fornite nel manuale possono causare pericoli elettrici.

# Avvertenze di sicurezza

## 1.3 Dati tecnici



Questo apparecchio è conforme alle direttive europee 2014/53/EU, 2009/125/EC e

2011/65/EU.

Per avere una copia della Dichiarazione di Conformità (DICO), inviare la richiesta usando le

informazioni di contatto presenti alla pagina [www.grundig.com/download/doc](http://www.grundig.com/download/doc).

Modifiche tecniche e di design sono riservate.

## 1.4 Conformità alla direttiva WEEE e allo smaltimento dei rifiuti:

Questo apparecchio è conforme alla Direttiva UE WEEE (2012/19/EU). Questo apparecchio riporta il simbolo di classificazione per i rifiuti delle apparecchiature elettriche ed elettroniche (WEEE).



Questo apparecchio è stato realizzato con parti e materiali di alta qualità che possono essere riutilizzati e sono adatti ad essere riciclati.

Non smaltire i rifiuti dell'apparecchio con i normali rifiuti domestici e gli altri rifiuti alla fine della vita di servizio. Portarlo al centro di raccolta per il riciclaggio di apparecchiature elettriche ed elettroniche. Consultare le autorità locali per conoscere la collocazione di questi centri di raccolta.

## Conformità alla Direttiva RoHS:

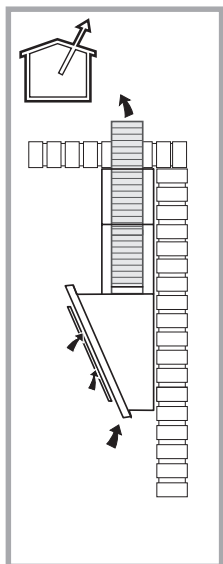
L'apparecchio acquistato è conforme alla Direttiva UE RoHS (2011/65/EU). Non contiene materiali pericolosi o proibiti specificati nella Direttiva.

## 1.5 Informazioni di imballaggio

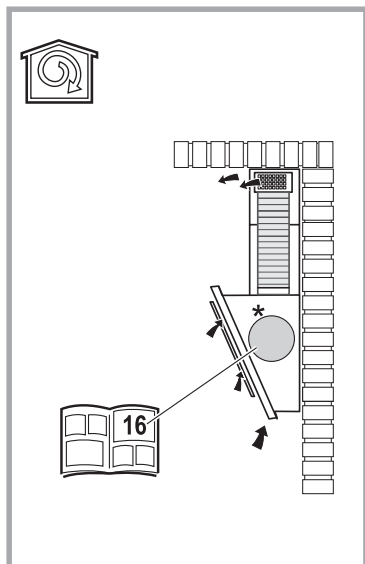


L'imballaggio del prodotto è fatto di materiali riciclabili in conformità con la normativa nazionale. Non smaltire i materiali di imballaggio con i rifiuti domestici o altri rifiuti. Portarli ai punti di raccolta per materiali di imballaggio previsti dalle autorità locali.

# Specifiche tecniche dell'apparecchio



Uso con tubo



Uso con filtro carbone

I contrassegni sul prodotto o i valori dichiarati in altri documenti in dotazione con il prodotto sono valori ottenuti in condizioni di laboratorio secondo gli standard pertinenti. Questi valori potrebbero variare a seconda delle condizioni di funzionamento e ambientali del prodotto.

# Installazione dell'apparecchio

Consultare l'assistenza autorizzata più vicina per l'installazione della cappa.

\*La preparazione della posizione e l'installazione elettrica per il prodotto sono responsabilità del cliente.

## Attenzione!

Rimuovere la pellicola protettiva (se presente) dalla cappa e dalla superficie del tubo dopo il montaggio.

La distanza tra la superficie inferiore della cappa e la superficie superiore del piano cottura deve essere almeno 50 cm.

Far eseguire il collegamento elettrico da un elettricista qualificato.

Montare l'apparecchio in modo da poter raggiungere il collegamento elettrico (spina, presa) facilmente dopo il montaggio.

Le dimensioni sono date in mm.

## Collegamenti elettrici

L'alimentazione elettrica di rete deve essere conforme ai valori forniti sulla targhetta all'interno della cappa. Collegare la cappa alla presa in conformità alle norme vigenti tramite una spina e posizionarla all'interno dell'area accessibile.

Dopo l'installazione, se il dispositivo non ha una presa (collegamento di alimentazione alla rete diretta) o la presa è fuori portata, utilizzare un interruttore a doppio polo in linea con le norme, che consenta lo scollegamento della presa di corrente in circostanze relative alla sovracorrente di categoria III.

**Avvertenza:** Prima di ricollegare la cappa alla fonte di alimentazione principale e di controllare il funzionamento corretto, accertarsi che la spina di alimentazione sia collegata correttamente.

La cappa ha una speciale spina di alimentazione, se il cavo si danneggia, contattare l'assistenza tecnica autorizzata.

## Montaggio

### Prima di cominciare:

- Verificare che il prodotto acquistato abbia le dimensioni corrette per l'area di montaggio.
- Rimuovere il filtro carbone attivo (\*) se fornito (vedere il relativo paragrafo). Essi saranno montati solo se si desidera utilizzare la cappa come modello filtrato.
- Verificare che ci siano altri materiali (come confezione viti (\*), scheda di garanzia (\*), ecc.) forniti nella cappa e, se disponibili, rimuoverli e tenerli da parte.

# Installazione dell'apparecchio

- Se possibile, rimuovere il piano cottura senza sportello o scorrevole e tirare da un lato per raggiungere facilmente la parete / il soffitto. Se non è possibile, coprire il ripiano, il piano cottura o il forno con un panno protettivo spesso per poterli proteggere da danni e polvere. Selezionare una superficie piatta per installare l'unità. Coprire la superficie con un panno protettivo e posizionare tutte le parti a tettuccio della cappa e la minuteria nel panno.
- Inoltre, verificare se una presa è disponibile nell'area di montaggio della cappa (sull'area accessibile dopo il montaggio della cappa) e verificare se il collegamento della cappa all'esterno (solo per il modello con aspirazione) è possibile.
- Terminare tutte le operazioni necessarie relative alla parete (ad es. collegamento spina di alimentazione e/o apertura di un foro per il tubo di scarico).

Per consentire il fissaggio della cappa su vari tipi di parete/soffitto sono disponibili cilindri larghi. Inoltre la conformità dei materiali al tipo di parete/soffitto deve essere confermata da un tecnico qualificato. La parete/il soffitto deve essere



# Montaggio dell'apparecchio

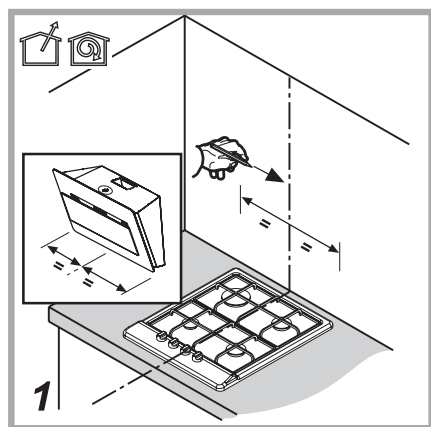
in grado di supportare la cappa. Non montare l'apparecchio su piastrelle, superfici di gesso o silicone. Montaggio solo su una parete.

Se sono presenti un pannello e/o una parete laterale e/o arredi, verificare che ci sia spazio sufficiente per il montaggio della cappa e che il pannello di controllo sia facilmente accessibile.

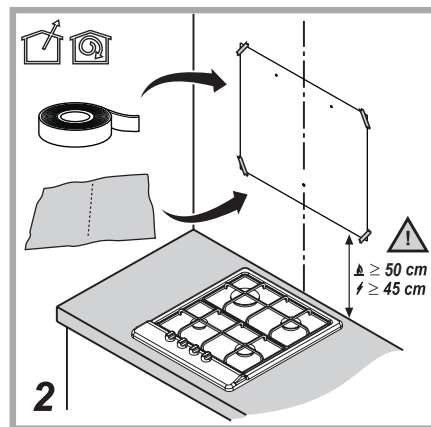
Le informazioni necessarie per la preparazione del pezzo di montaggio della cappa sono date di seguito.

## Preparazione del montaggio della cappa sulla parete

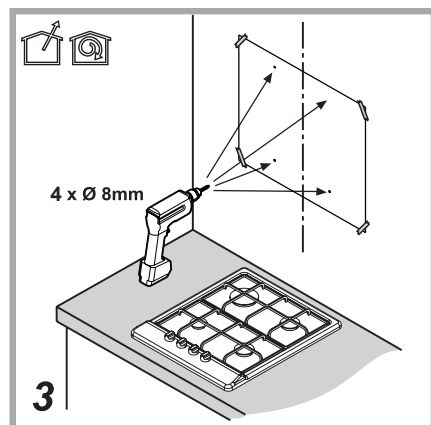
Marcare la superficie dove si deve appendere lo schema di montaggio. (Figura 1)



Fissare lo schema di montaggio sul pezzo di montaggio della cappa. (Figura 2)

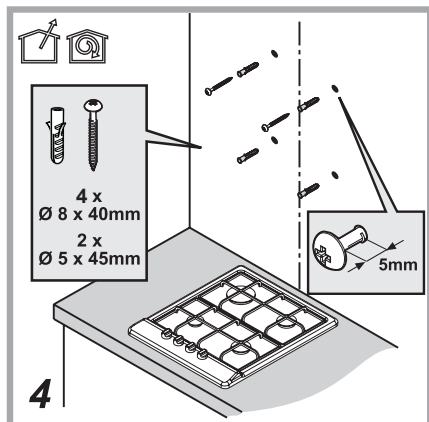


Eseguire un foro con  $\varnothing 8$  mm sui punti segnati. (Figura 3)



# Montaggio dell'apparecchio

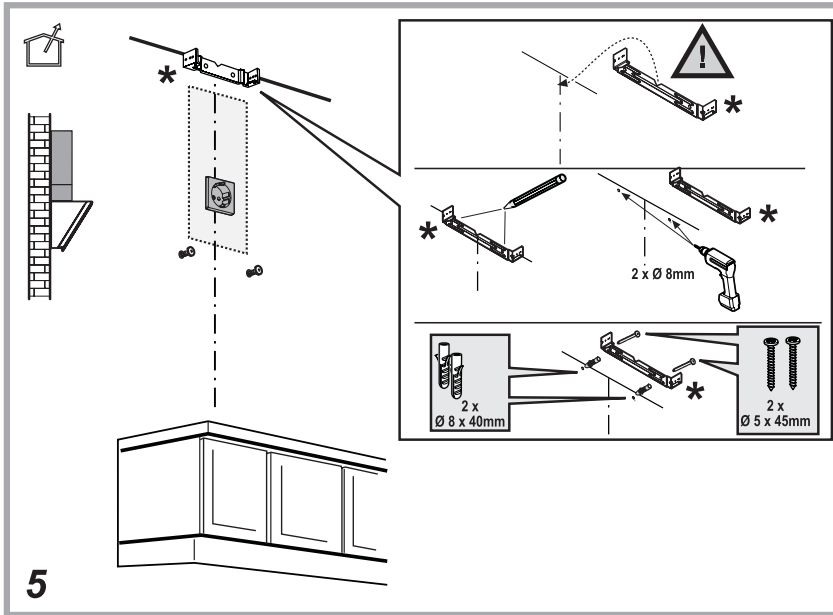
Fissare con il martello i cilindri 3 Ø 8x40 mm ai fori perforati. Avvitare 2 viti di aggancio da Ø 5x45 mm nei cilindri colpiti in precedenza con il martello. Deve esserci una distanza di 5 mm tra la testa della vite e la parete. (Figura 4)



# Montaggio dell'apparecchio

## Montaggio del tubo della cappa

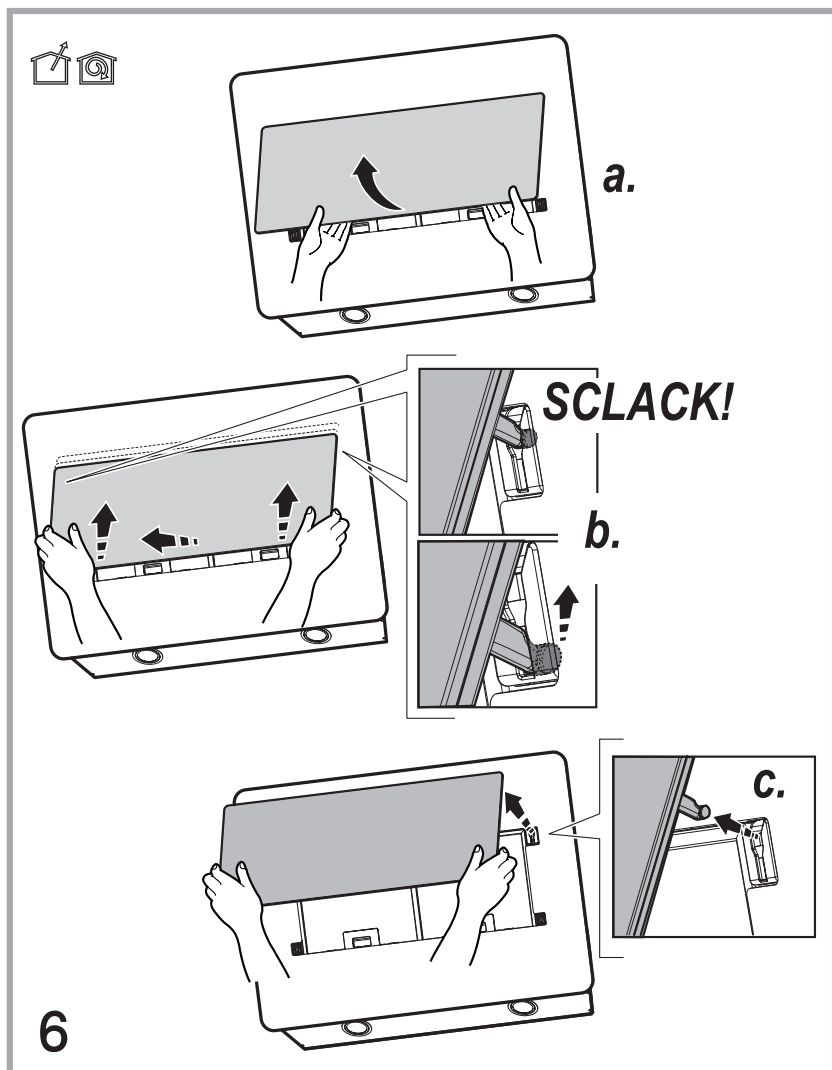
Eeguire i fori sui punti segnati con  $\varnothing 8$  mm per poter collegare la piastra del tubo. Fissare con il martello i cilindri  $2 \varnothing 8 \times 40$  mm ai fori perforati. Avvitare 2 viti di aggancio da  $\varnothing 5 \times 45$  mm nei cilindri colpiti con il martello. (Figura 5)



# Montaggio dell'apparecchio

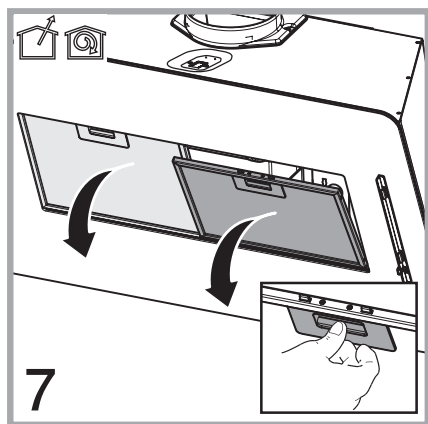
## Montaggio della cappa sulla parete

Rimuovere il pannello anteriore per collegare la cappa alla parete.  
(Figura 6)

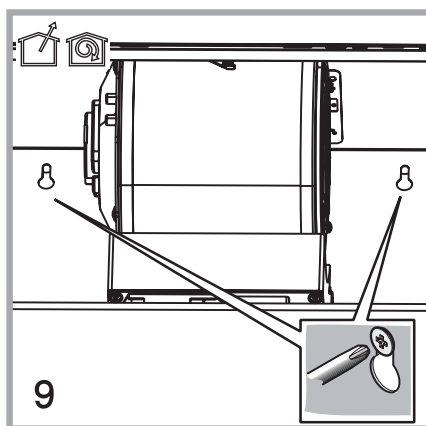


# Montaggio dell'apparecchio

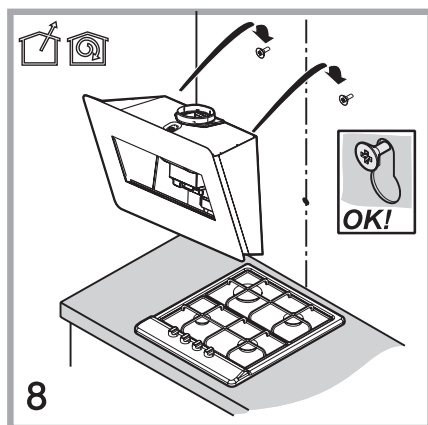
Rimuovere i filtri. (Figura 7)



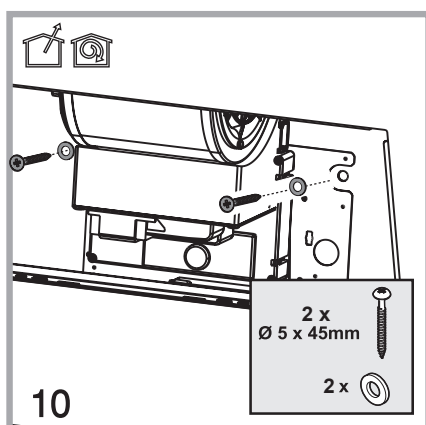
Serrare le viti per fissare la cappa. (Figura 9)



Posizionare la cappa in modo che le viti corrispondano alle teste delle viti. (Figura 8)

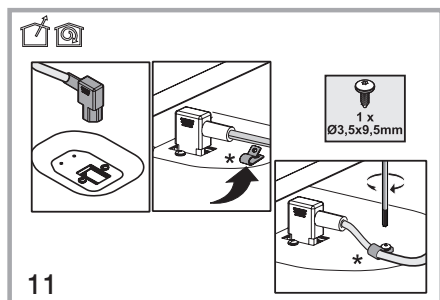


Per fissare la cappa, stringere con la vite Ø 5x45 usando una rondella. (Figura 10)

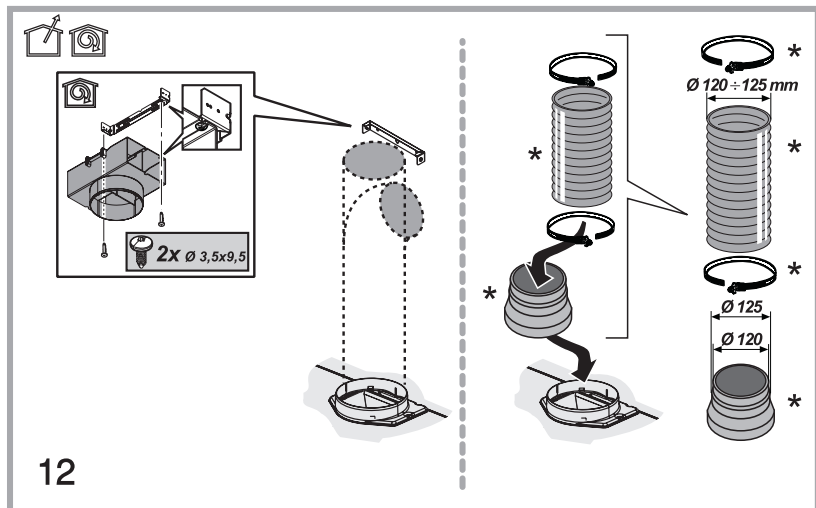


# Montaggio dell'apparecchio

Collegare alla presa elettrica.  
Utilizzare la vite  $\varnothing 3,5 \times 9,5$  per fissare il cavo. (Figura 11)



Posizionare il collegamento del tubo secondo le figure (Figura 12, 13, 14).



# Montaggio dell'apparecchio

ENG

DE

SV

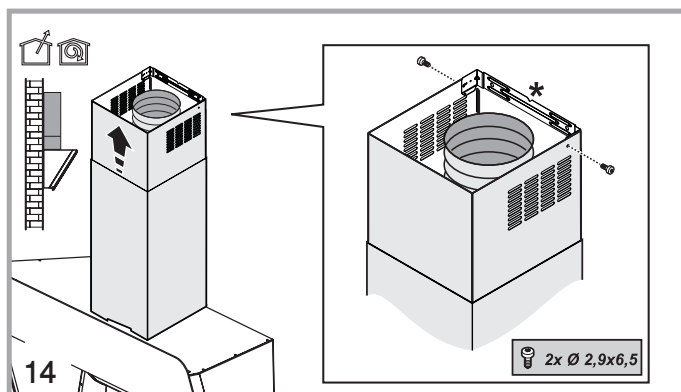
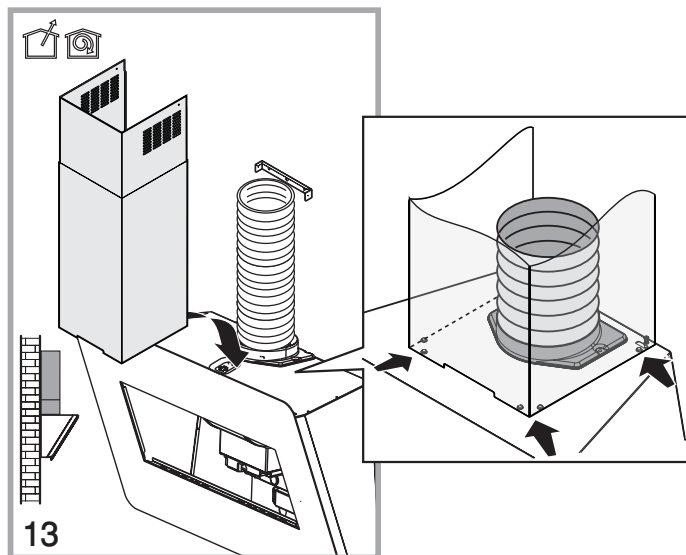
NO

FI

DA

IT

CS

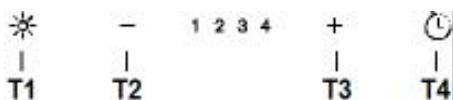


# Funzionamento dell'apparecchio

## Funzionamento

Utilizzare un'alimentazione di aspirazione elevata se in cucina si forma vapore eccessivo. Si consiglia di accendere l'unità di aspirazione a cappa per piano cottura 5 minuti prima di iniziare a cucinare e di lasciarla in funzione durante la cottura e per 15 minuti dopo la cottura.

## Controllo dei livelli



### T1. Accensione/spegnimento delle luci (ON/OFF)

### T2. Riduzione della velocità

Premendo il pulsante "T2" la velocità si riduce dal livello 4 (intenso) al livello 1.

Premendo il pulsante "T2" quando la cappa funziona al livello 1, la cappa si spegne (passa in posizione OFF).

### T3 Aumento della velocità

Premendo il pulsante T3, la cappa passa dalla posizione OFF al funzionamento con livello di velocità 1.

Premendo il pulsante (con la cappa in posizione ON), il motore passa dal livello 1 a 4 (intenso).

Ogni livello di velocità ha una luce led corrispondente.

Livello di velocità 1 led 1

Livello di velocità 2 led 2

Livello di velocità 3 led 3

Led livello di velocità intenso 4 (lampeggiante)

Il livello di velocità intenso è regolato a tempo. La regolazione del tempo standard è 5 minuti. Alla fine del periodo la cappa passa al livello di velocità 2.

Premere il pulsante T2 per uscire da questa modalità prima del periodo previsto, la cappa passa al livello di velocità 3.

### T4 Regolazione a tempo dei livelli di velocità

La regolazione a tempo dei livelli di velocità è assicurata premendo il pulsante T4; alla fine del tempo impostato, la cappa si spegne automaticamente.

I tempi sono i seguenti:

1. Livello di velocità - 20 minuti (led 1 lampeggiante)

Livello di velocità 2 - 15 minuti (led 2 lampeggiante)

Livello di velocità 3 - 10 minuti (led 3 lampeggiante)

Livello di velocità 4 - 5 minuti (led 4 lampeggiante)

Se si preme il pulsante T2 in modalità di funzionamento a tempo, la cappa esce dalla modalità di funzionamento a tempo e il livello di velocità diminuisce.

Se si preme il pulsante T3, la cappa esce dalla modalità di funzionamento a tempo e il livello di velocità aumenta.



# Funzionamento dell'apparecchio

Se si preme il pulsante T4, la cappa esce dalla modalità di funzionamento a tempo ma il livello di velocità non cambia.

## Allarme filtro del grasso

Dopo 40 ore di funzionamento, il LED 1 comincia a lampeggiare.

Quando si attiva questo allarme, è il momento di pulire il filtro del grasso.

Per reimpostare l'allarme, premere il pulsante T4 per 5 secondi.

Si sente un "BIP" e il LED 1 smette di lampeggiare.

## Allarme filtro carbone

Dopo 160 ore di funzionamento, il LED 2 comincia a lampeggiare.

Quando si attiva questo allarme, è il momento di cambiare il filtro carbone con uno nuovo.

Per reimpostare l'allarme suddetto, premere il pulsante T4 per 5 secondi.

Si sente un "BIP" e il LED 2 smette di lampeggiare.

Se entrambi i filtri innescano un allarme contemporaneamente, i LED 1 e 2 lampeggiano in modo alternato.

In quel caso, gli allarmi possono essere reimpostati applicando la suddetta procedura.

Come prima cosa, si reimposta l'allarme del filtro carbone, poi quello del filtro del grasso.

In modalità di funzionamento standard, l'allarme del filtro carbone non è attivo.

Se si usa la cappa con filtraggio, deve essere attivato l'allarme del filtro carbone.

## Attivazione dell'allarme del filtro carbone

Portare la cappa in posizione OFF e premere il pulsante T4 per 5 secondi.

Quando si preme il pulsante, i LED collegati ai filtri attivi al momento lampeggiano.

Si sente un "BIP" e il LED 2 si accende.

I LED 1 e 2 si accendono per circa 2 secondi prima che la cappa passi in posizione OFF.

Disattivazione dell'allarme del filtro carbone:

Portare la cappa in posizione OFF e premere il pulsante T4 per 5 secondi.

Quando si preme il pulsante, i LED collegati ai filtri attivi al momento lampeggiano.

Si sente un "BIP" e il LED 2 si accende.

Il LED 1 si accende per circa 2 secondi prima che la cappa passi in posizione OFF.

# Funzionamento dell'apparecchio

## Uso ad efficienza energetica:

- Quando si utilizza la cappa, regolare il livello di velocità secondo l'intensità dell'odore e del vapore per evitare un consumo energetico non necessario.
- Usare i livelli bassi di velocità (1-2) in circostanze normali e i livelli alti di velocità (3-4) con odori intensi e condensa di vapore.
- Le luci sulla cappa sono concepite per illuminare la zona di cottura.

Utilizzarle per illuminare l'ambiente/la cucina provoca un consumo energetico non necessario, nonché illuminazione inadeguata.

## Funzionamento della cappa:

- La cappa è dotata di un motore che ha varie velocità di velocità.
- Per una migliore prestazione, consigliamo di utilizzare velocità basse in condizioni normali e velocità alta quando odore e vapori sono più intensi.
- Si può azionare la cappa premendo il pulsante con il livello di velocità desiderato.
- Si può illuminare l'area di cottura premendo il tasto della luce. (A)

# Manutenzione e pulizia

Prima di pulizia e manutenzione, scollegare l'apparecchio o spegnere l'interruttore principale o allentare il fusibile che alimenta la cappa.

## Pulizia

La cappa deve essere pulita regolarmente (almeno con la stessa frequenza con cui si esegue la manutenzione dei filtri del grasso) internamente ed esternamente.

Pulire la cappa utilizzando un panno umido caldo e un detergente liquido neutro.

Non utilizzare prodotti abrasivi. **NON UTILIZZARE ALCOOL!**

## AVVERTENZA!

L'inosservanza delle istruzioni di pulizia di base della cappa e della sostituzione dei filtri può causare un incendio.

Per questo motivo, consigliamo di seguire le seguenti istruzioni.

Il produttore non può essere ritenuto responsabile dei danni al motore e da incendi causati da manutenzione inadeguata o che non seguono le raccomandazioni di sicurezza menzionate sopra.

## Pannello di aspirazione periferica

### Manutenzione del pannello Rimozione:

- Far scorrere il pannello verso l'alto, per una distanza di 2 cm.
- Tirare il pannello verso di sé.

## Pulizia:

Il pannello di aspirazione deve essere pulito con gli stessi intervalli dei filtri del grasso.

Pulire con un panno umido e un detergente liquido neutro.

Evitare di utilizzare prodotti abrasivi. **NON PULIRE CON ALCOOL!**

## Montaggio:

Seguire la procedura di rimozione al contrario.

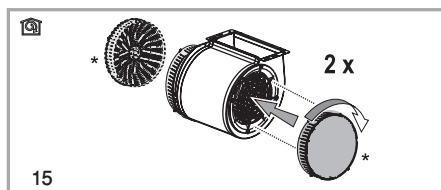
Attenzione! Assicurarsi che il pannello è montato e fissato correttamente.

## Filtro carbone (solo modelli filtrati)

Dopo un lungo periodo d'uso, il filtro carbone può dipendere completamente dal tipo di cottura e se il filtro dell'olio viene pulito regolarmente.

In ogni caso, la cartuccia deve essere sostituita almeno ogni quattro mesi (o quando il sistema indicatore di riempimento del filtro indica che il filtro deve essere sostituito, se disponibile nel modello). (Figura 15)

Il filtro carbone non può essere lavato e riutilizzato.



# Manutenzione e pulizia

## Filtro carbone circolare

Posizionare un filtro vicino alle gabbie di protezione del propulsore a motore, quindi ruotare la parte in senso orario.

Per lo smontaggio, ruotare la parte in senso antiorario.

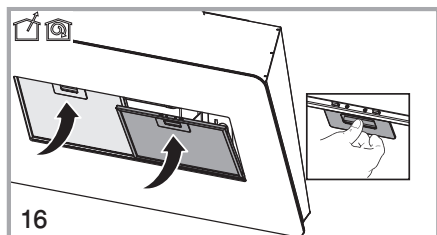
## Filtro del grasso

Ritiene le particelle di grasso causate dal processo di cottura.

Il filtro del grasso deve essere pulito mensilmente (o il sistema indicatore di riempimento del filtro, se disponibile nel modello acquistato, indica quando è il momento) utilizzando un detergente privo di acido a mano o in una lavastoviglie con una bassa temperatura e un programma breve.

Se lavato in lavastoviglie, il colore del filtro del grasso può attenuarsi leggermente, ma ciò non influisce sulla capacità di filtraggio.

Tirare la leva di sblocco a molla per poter rimuovere il filtro del grasso. (Figura 16)



## Pulizia

In particolare non trascurare di pulire la cappa subito dopo aver fritto.

Utilizzare un panno morbido immerso in detersivo liquido per pulire la superficie esterna della cappa.

Per la pulizia non utilizzare mai materiali abrasivi o che graffiano.

Si possono utilizzare gli agenti per la pulizia disponibili in commercio per il grasso persistente, seguendo le avvertenze sul prodotto.

Per non graffiare il corpo in acciaio spazzolato, pulire nella stessa direzione del disegno.

Non utilizzare agenti per la pulizia contenenti acido cloridrico, candeggina o polveri abrasive per conservare la qualità superficiale del prodotto. Utilizzare un panno umido in acqua saponata o uno speciale spray per la pulizia in acciaio inox per le superfici in acciaio inox. Rimuovere la pellicola protettiva dell'apparecchio.

## Attenzione!

Se non si rispettano le istruzioni su pulizia e sostituzione dei filtri della cappa, è possibile che si inneschi un incendio.

## Se è necessario trasportare l'apparecchio:

Conservare l'imballaggio originale dell'apparecchio. Trasportare l'apparecchio con il suo imballaggio originale e seguire i contrassegni relativi al trasporto sull'imballaggio originale.

# Manutenzione e pulizia

## Se non si ha la confezione originale:

- Non mettere oggetti sulla cappa.
- Proteggere la superficie esterna da colpi.
- Imballare l'apparecchio in modo che non si danneggi durante il trasporto.

## Sostituzioni delle lampadine

### AVVERTENZA!

Prima di toccare le lampadine, accertarsi che si sono raffreddate.

Per sostituire le lampadine, contattare l'assistenza autorizzata.

# Důležité bezpečnostní pokyny a pokyny týkající se životního prostředí

Tento oddíl obsahuje bezpečnostní pokyny, které pomohou s ochranou před úrazy osob nebo poškozením majetku. Nedodržení těchto pokynů ruší platnost záruky.

## 1.1 Obecné bezpečnostní pokyny

- Instalaci a veškeré opravy vždy svěřte pracovníkům autorizovaného servisu. Výrobce nenes zodpovědnost za škody, které mohou způsobit jím neautorizované osoby.
- Toto zařízení není určeno pro použití osobami (včetně dětí) s omezenými fyzickými, vjemovými nebo mentálními schopnostmi, nebo osobami, které nemají dostatek zkušeností, ani znalostí. Děti musí být pod dozorem, aby se zajistilo, že si se spotřebičem nebudou hrát.

### 1.1.1 Elektrická bezpečnost

- Během instalace, údržby, čištění a oprav vždy odpojte zařízení ze sítě.

- Je-li napájecí kabel vadný, musí být vyměněn kvalifikovanou osobou certifikovanou výrobcem, poprodejním servisem apod. (nejlépe elektrikářem) nebo osobou určenou dovozcem.
- Provozní napětí je 220 až 240 voltů.
- Pokud dojde k poruše zařízení, nemělo by se používat, dokud je není opraveno pracovníkem autorizovaného servisu. Existuje nebezpečí úrazu elektrickým proudem!
- Neved'te napájecí kabel v blízkosti varné desky. Napájecí kabel by se mohl vznítit, jelikož se snadno roztaví.
- Nikdy nezapojujte digestoř před dokončením instalace.
- Chcete-li dosáhnout optimálního výsledku, nesmí být vnější vývod delší než 4 m. Nesmí obsahovat více než 2 kolmé (90°) úhly a jeho průměr musí být nejméně  $\varnothing 120$  mm.

# Důležité bezpečnostní pokyny a pokyny týkající se životního prostředí

- Spotřebič odpojte od napájení před jakoukoli prací na vnitřních součástkách spotřebiče.
- Spotřebič zapojujte pouze do uzemněné zásuvky.
- Nikdy se nedotýkejte světel digestoře po dlouhodobém použití. Horké žárovky vás mohou popálit.
- Vyvarujte se používání prudkých plamenů pod výrobkem. Jinak by se mohly částice na olejovém filtru vznítit a způsobit požár.

## 1.1.2 Bezpečnost výrobku

- Pro připojení odvodu digestoře můžete použít trubku o průměru 120 nebo 150 mm.
- Nepoužívejte připojení k odvodu využívaná sporáky, odvětrací šachty nebo odvody se stoupajícími plameny. Dodržujte pravidla stanovená úřady pro odvod odpadního vzduchu.
- Vzdálenost mezi spodní plochou digestoře a horní plochou sporáku/trouby by neměla být menší než 50 cm v případě plynových hořáků a 45 cm v případě elektrických plotýnek.
- Nepoužívejte digestoř bez hliníkových filtrů a nede-montujte filtry za provozu.
- Zapněte digestoř poté, co na sporák postavíte pánve či hrnce. Jinak by stoupající teplota mohla poškodit některé součásti vašeho výrobku.
- Digestoř vypněte, než pánve nebo hrnce odeberete.
- Pod digestoř neumísťujte hořlavé materiály.
- Olej se může vznítit během smažení. Dávejte pozor na používání hadříků a závěsů.
- Při smažení nikdy nenechávejte sporák bez dozoru; jinak může dojít ke vznícení horkého oleje.
- Abyste předešli riziku požáru, čistěte digestoř ve stanovených intervalech.

# Důležité bezpečnostní pokyny a pokyny týkající se životního prostředí

- Při čištění digestoře postupujte velmi opatrně a používejte rukavice.
- Doporučujeme vám zapnout spotřebič pár minut před začátkem vaření, čímž zvýšíte sací výkon. Jakmile začne stoupat pára, budete již mít k dispozici stálý a stabilní sací výkon.
- Digestoř nechte v provozu ještě 15 minut po ukončení vaření nebo smažení, aby byl odstraněn veškerý zápach a páry v kuchyni.
- Když digestoř používáte, zejména společně s plynovými sporáky, zkontrolujte, zda je v místnosti zajištěno odvětrávání.
- Dávejte pozor, abyste nepřipojili spotřebič k odvodům používaným neelektrickými zařízeními. (Např.: odvod od topení).
- Současný a bezproblémový provoz digestoře a dalšího zařízení, které využívá vzduch, je možné pouze je-li dosaženo nízkého tlaku 4 Pa (0.04 mbar) a tak se zabrání opětovnému vstřebání plynu. Toho lze dosáhnout pouze pomocí vzduchu vycházejícího z nezakrytých otvorů (dveře, okno, větrací otvory nebo jiná technická opatření). Velkou péči věnujte zajištění dostatečného průtoku vzduchu. Průduch, který poskytuje průnik/východ vzduchu, je pro tento účel nedostatečný.

## 1.1.3 Bezpečnost dětí

- Obalové materiály představují pro děti nebezpečí. Obalové materiály uchovejte ho mimo dosah dětí.
- Elektrické spotřebiče představují nebezpečí pro děti. Udržujte děti mimo dosah výrobku. Nedovolte dětem, aby si hrály se spotřebičem.



# Důležité bezpečnostní pokyny a pokyny týkající se životního prostředí

- Tento spotřebič mohou použít děti starší 8 let a lidé s omezenými fyzickými, senzorickými nebo duševními schopnostmi nebo které nemají dostatečné znalosti a zkušenosti, pokud na ně a bezpečné použití produktu dospělá osoba nebo jsou-li poučeni o rizicích souvisejících s použitím produktu. Děti si nesmí se spotřebičem hrát.
- **VAROVÁNÍ:** Instalace šroubů v rozporu s pokyny uvedenými v tomto návodu může vést k úrazu elektrickým proudem.
- Životnost Vašeho spotřebiče činí 10 let. Jde o období nutné pro dostupnost náhradních dílů nutných pro provoz výrobku.
- **POZOR:** Při použití s vařícím zařízením může dojít k zahřátí přístupných částí.

## 1.2 Zamýšlené použití

- Tento spotřebič je určen pouze pro domácí použití. Není vhodný pro komerční použití a nesmí se používat jinak, než je stanovené zamýšlené použití.
- Výrobce nenese odpovědnost za žádné škody plynoucí z nesprávného použití či manipulace.

# Důležité bezpečnostní pokyny a pokyny týkající se životního prostředí

## 1.3 Technická data



Tento spotřebič má nízkou hlučnost v souladu s platnými směrnici EU.

Tento spotřebič splňuje evropské směrnice 2014/53/EU, 2009/125/EC, a 2011/65/EU.

Typový štítek se nachází na zadní straně zařízení.

Podrobnější návod k použití je k dispozici na [www.grundig.com/download/doc](http://www.grundig.com/download/doc) v části "Downloads".

## 1.4 Dodržování směrnice WEEE a o likvidaci odpadů:

Tento produkt splňuje směrnici EU WEEE (2012/19/EU). Tento výrobek nese symbol pro třídění, platný pro elektrický a elektronický odpad (WEEE).



Tento produkt byl vyroben z vysoce kvalitních součástí a materiálů, které lze znovu použít a které jsou vhodné pro recyklaci. Produkt na

konci životnosti nevyhazujte do běžného domácího odpadu. Odveďte ho do sběrného místa pro recyklaci elektrických a elektronických zařízení. Informace o těchto sběrných místech získáte na místních úřadech.

## Dodržování směrnice RoHS:

Produkt, který jste zakoupili splňuje směrnici EU RoHS (2011/65/EU). Neobsahuje žádné škodlivé ani zakázané materiály, které jsou

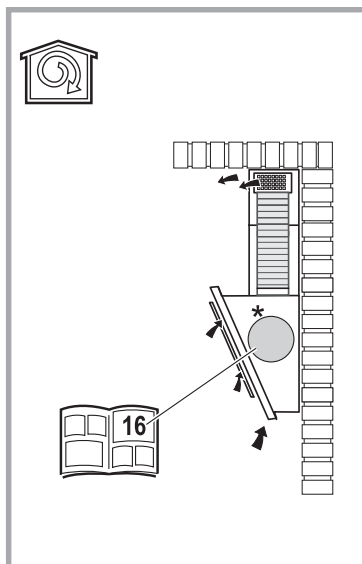
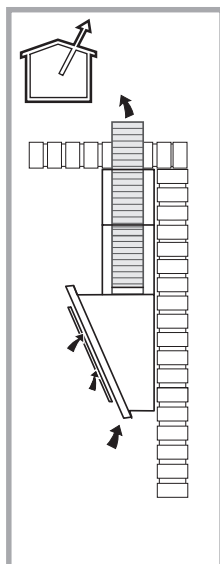
směrnicí zakázané.

## 1.5 Informace o balení



Balení produktu je vyrobeno z recyklovatelných materiálů, v souladu s naší národní legislativou. Obalové materiály nelikvidujte s domácím nebo jiným druhem odpadu. Odveďte je na sběrné místo balícího materiálu, které má pověření místních orgánů.

# Technické parametry spotřebiče



Použití s  
kouřovodem



Použití s filtrem s aktivním uhlím

Hodnoty uvedené na štítku výrobku nebo v dokumentaci, která jej doprovází, jsou získány v laboratorních podmínkách v souladu s příslušnými normami. Tyto hodnoty se mohou lišit podle použití výrobku a podmínek používání.

# Instalace spotřebiče

Instalaci digestoře svěřte nejbližšímu Autorizovanému servisu.

\*Za přípravu místa a elektroinstalaci pro výrobek nese odpovědnost zákazník.

## Pozor!

Sejměte ochrannou fólii (pokud nějaká existuje) z kouřovodu a otřete povrch.

Vzdálenost mezi spodní plochou digestoře a horní plochou varné desky by neměla být menší než 50 cm.

Elektroinstalaci pověřte kvalifikovaného elektrikáře.

Spotřebič nainstalujte tak, abyste po instalaci snadno dosáhli na připojení napájení (zástrčka, zásuvka).

Rozměry jsou uvedeny v mm.

## Elektrické zapojení

Hlavní přívod elektřiny musí odpovídat hodnotám na štítku, který je umístěn v digestoři. V souladu s aktuálními směrnici zapojte digestoř do zásuvky pomocí zástrčky, kterou umístíte do dostupné oblasti. Po instalaci; pokud zařízení nemá zástrčku (přímé zapojení do hlavního napájení) nebo je-li zástrčka mimo dosah, použijte dvoupólový spínač, který odpovídá standardům a který umožní odpojení napájení za okolností souvisejících s kategorií přepětí III.

**VAROVÁNÍ:** Před opětovným zapojením digestoře ke zdroji napájení a kontrolou, zda funguje správně, se ujistěte, zda je hlavní napájecí kabel řádně zapojen.

Digestoř je vybavena speciálním napájecím kabelem. V případě jeho poškození kontaktujte autorizovaný technický servis.

## Montáž

### Než začnete:

- Zkontrolujte, zda má zakoupený produkt vhodnou velikost pro místo instalace.
- V případě, že je filtr s aktivním uhlím (\*) součástí balení (viz příslušný odstavec), vyjměte ho. Ten(tyto) bude(ou) instalován(y) pouze pokud chcete digestoř používat jako filtrovaný model.
- Zkontrolujte, zda se s digestoři dodává jiný materiál (např. balení šroubů (\*), záruční list (\*), atd.), a je-li k přibalený, vyjměte ho a uložte na jiné místo.
- Je-li to možné, vyjměte posuvnou pec a posuňte ji tak, abyste na zadní stěnu/strop snadno dosáhli. Pokud to není možné, zakryjte lavičku, pec nebo kamna tlustou ochranou látkou, abyste je ochránili/a před poškozením a znečištěním. Pro instalaci spotřebiče vyberte rovný povrch. Povrch zakryjte látkou a na ni položte všechny části digestoře a nářadí k montáži.
- Kromě toho zkontrolujte, zda je v místě montáže digestoře k dispozici zástrčka (po stranách oblasti pro montáž digestoře) a zkontrolujte, zda je možné zapojení digestoře ven (pouze u modelu s nasáváním).

# Instalace spotřebiče

- Dokončete všechny činnosti související se stěnou (např. zapojení zástrčky a/nebo otevření otvoru pro vypouštěcí hadici).

Široké hmoždinky slouží k upevnění digestoře na různé množství typů/stropů. Kromě toho musí kvalifikovaný technik potvrdit typ materiálu stěny/stropu. Stěna/strop musí udržet zavěšenou digestoř. Spotřebič nemontujte na dlaždicové, obložené nebo silikonové povrchy. Montáž proveďte pouze na stěnu.

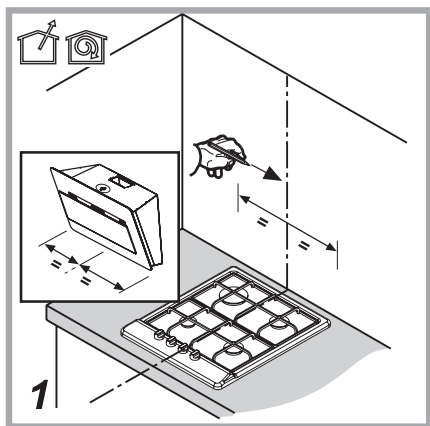
V případě existence panelu a/nebo boční stěny a/nebo nábytku zkontrolujte, zda máte dostatek místa pro montáž digestoře a že ovládací panel bude snadno dostupný.

Informace nutné pro přípravu místa instalace vaší digestoře jsou uvedeny níže.

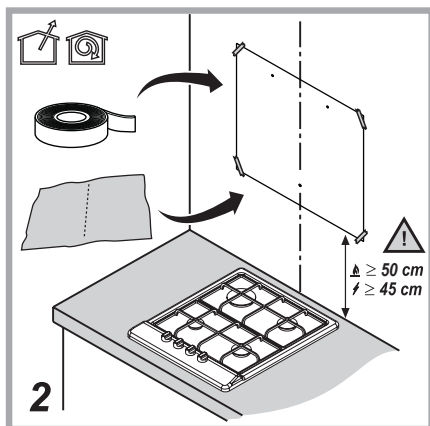
# Montáž spotřebiče

## Montáž digestoře na stěnu

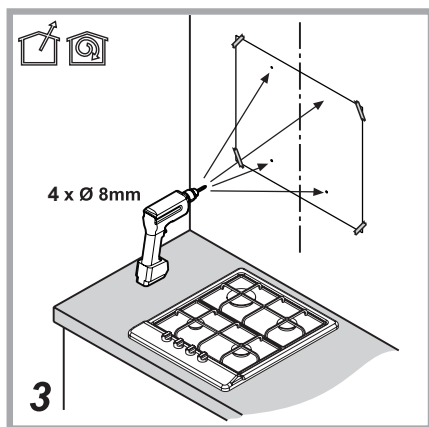
Označte místo, kde bude provedena montáž. (Obrázek 1)



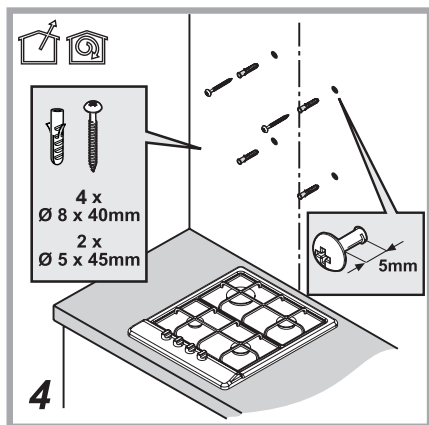
Upevněte šablonu pro montáž na místo pro instalaci digestoře. (Obr. 2)



Vrtákem o průměru  $\varnothing$  8 mm vyvrtejte otvory na označených místech. (Obr. 3)



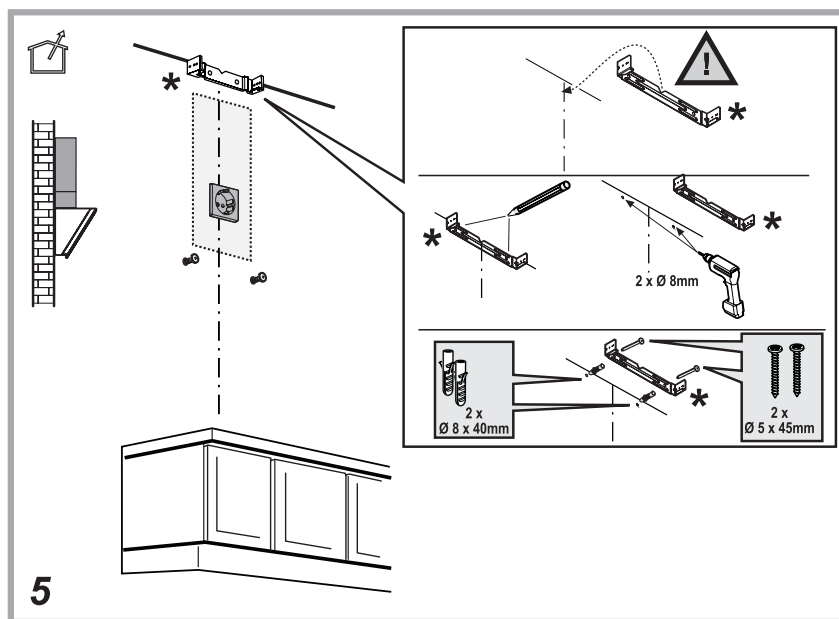
Zatlučte kladivem 3 hmoždinky o průměru  $\varnothing$  8x40 mm do vyvrтанých děr. Do zatlučených hmoždinek zašroubujte 2 ks závěsných šroubů o průměru  $\varnothing$  5x45 mm. Mezi hlavou šroubu a stěnou musí být mezera 5 mm. (Obrázek 4)



# Montáž spotřebiče

## Montáž kouřovodu digestoře

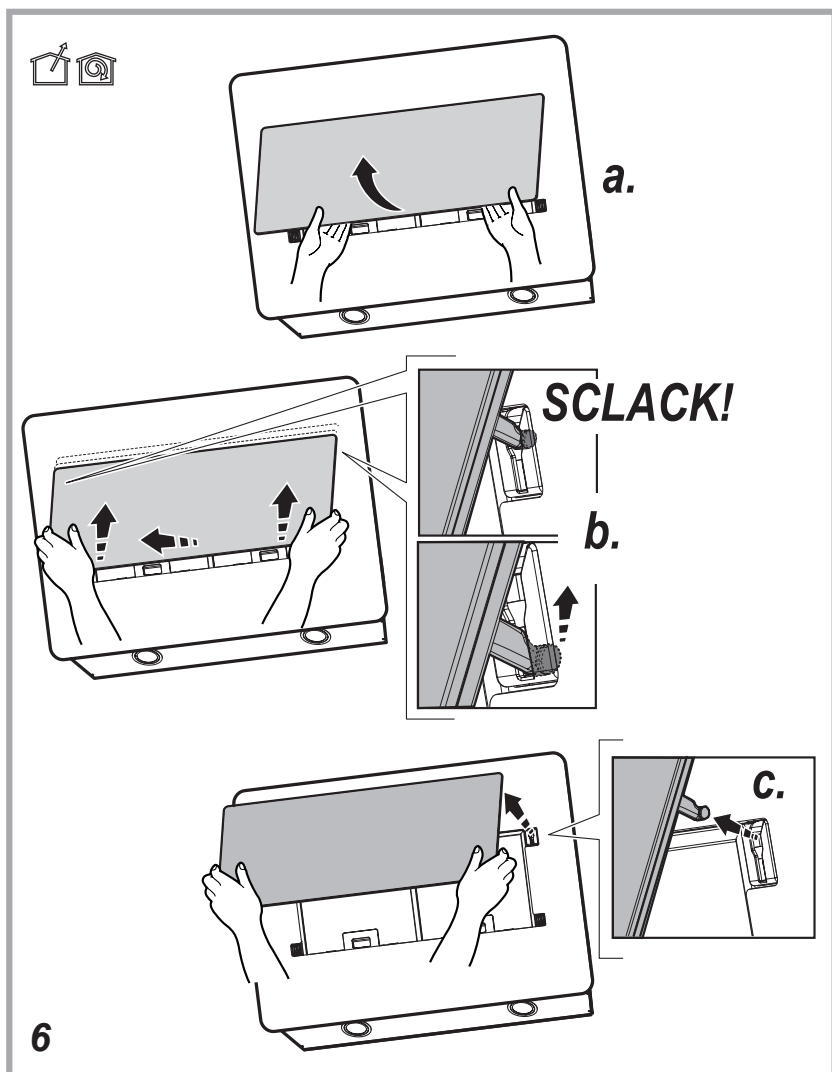
Vrtákem o průměru  $\varnothing 8$  mm vyvrtejte otvory na vyznačených bodech, abyste mohli připevnit desku kouřovodu. Zatlučte kladivem 2 hmoždinky o průměru  $\varnothing 8 \times 40$  mm do vyvrтанých děr. Do zatlučených hmoždinek zašroubujte 2 ks závěsných šroubů o průměru  $\varnothing 5 \times 45$  mm. (Obrázek 5)



# Montáž spotřebiče

## Montáž digestoře na stěnu

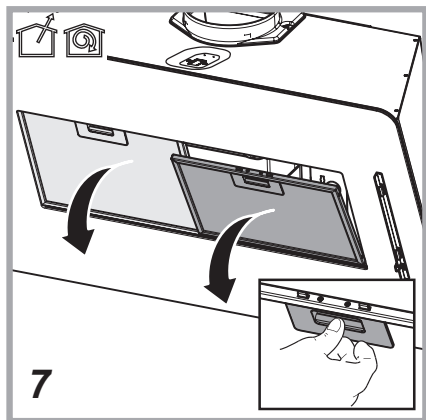
Sejměte přední panel a digestoř připevněte na stěnu. (Obrázek 6)



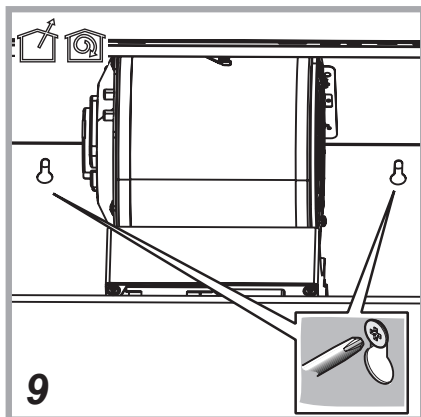


# Montáž spotřebiče

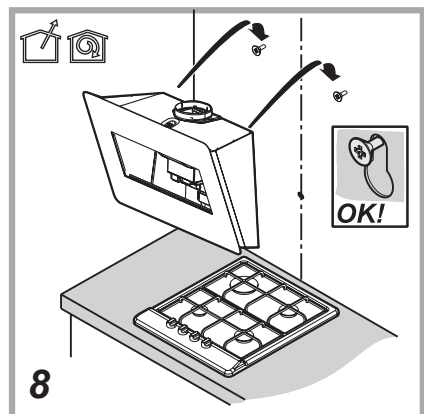
Vyjměte filtry. (Obrázek 7)



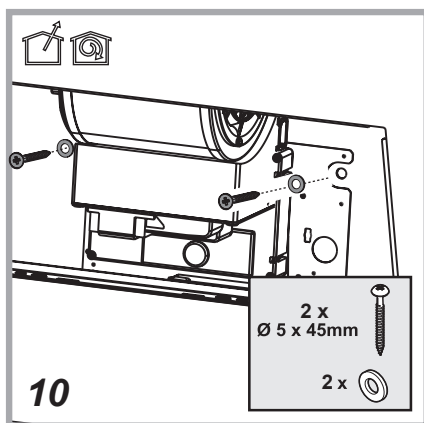
Utáhněte šrouby a současně i digestoř. (Obrázek 9)



Digestoř umístěte tak, aby šrouby odpovídaly hlavám šroubů. (Obrázek 8)

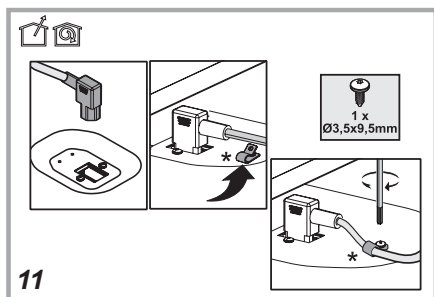


K utažení digestoře použijte podložky a utáhněte ji šrouby o průměru  $\varnothing$  5x45. (Obrázek 10)

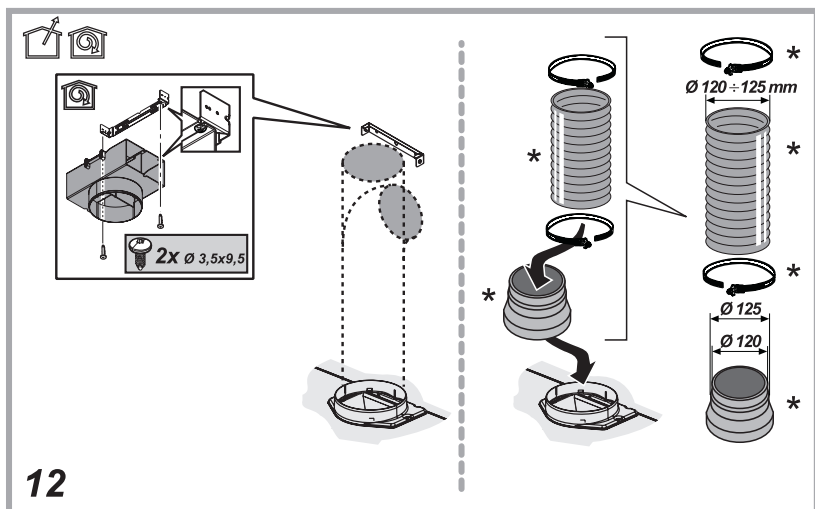


# Montáž spotřebiče

Zapojte elektrickou zástrčku. K utažení kabelu použijte šroub o průměru  $\varnothing 3,5 \times 9,5$ .  
(Obrázek 11)



Zapojení komína provedte podle obrázků (obrázky 12, 13, 14).



# Montáž spotřebiče

ENG

DE

SV

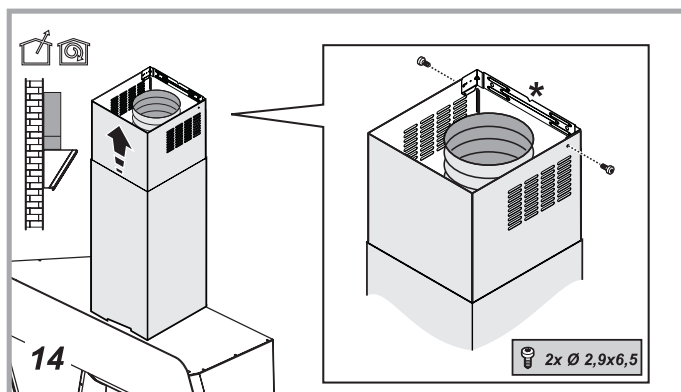
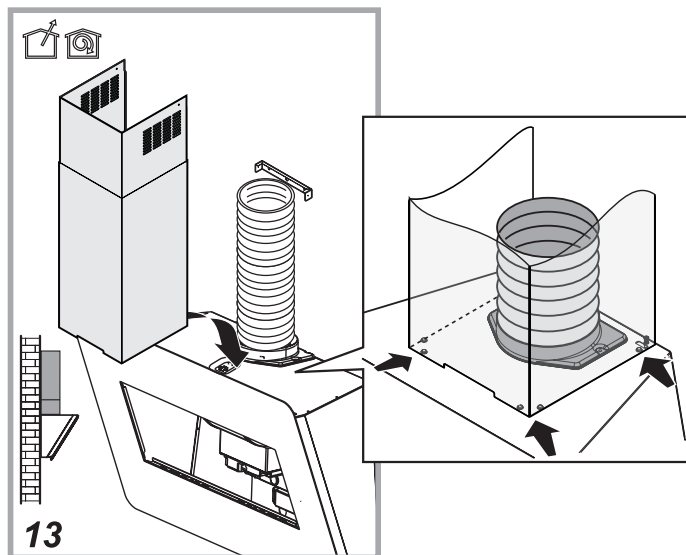
NO

FI

DA

IT

CS

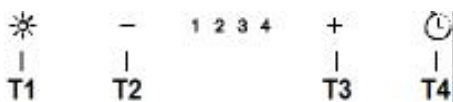


# Použití spotřebiče

## Použití

Pokud se v kuchyni utváří nadměrné množství výparů, použijte vysoký sací výkon. Odsávání se doporučuje spustit 5 minut před zahájením vaření a ponechat 15 minut po dokončení vaření.

## Ovládání úrovní



### T1. Zapnutí/vypnutí světel (ON/OFF)

### T2. Snížení rychlosti

Stisknutím tlačítka „T2“ se rychlost sníží z úrovně 4 (hustý kouř) na úroveň 1.

Pokud digestoř běží na úrovni 1, stisknutím tlačítka „T2“ se vypne (přepne do OFF pozice).

### T3 Zvýšení rychlosti

Stisknutím tlačítka T3 se digestoř zapne na rychlostní úroveň 1.

Stisknutím tohoto tlačítka (když je digestoř zapnutá) se motor přepne z úrovně 1 do úrovně 4 (hustý kouř).

Každé rychlostní úrovni odpovídá jedna světelná kontrolka.

Rychlostní úroveň 1 kontrolka 1

Rychlostní úroveň 2 kontrolka 2

Rychlostní úroveň 3 kontrolka 3

Rychlostní úroveň 4 pro hustý kouř kontrolka 4 (bliká)

Rychlostní úroveň pro hustý kouř je časově nastavená. Standardní časové nastavení je 5 minut. Po uplynutí této doby se digestoř přepne na rychlostní úroveň 2.

Stisknutím tlačítka T2 zrušíte tento režim před uplynutím nastavené doby a digestoř se přepne na úroveň 3.

### T4 Časové nastavení rychlostních úrovní

Časové nastavení rychlostních úrovní lze provést stisknutím tlačítka T4. Když nastavená doba uplyne, digestoř se vypne automaticky.

Časování nelznete níže:

1. Rychlostní úroveň - 20 minut (kontrolka 1 bliká)

Rychlostní úroveň 2 - 15 minut (kontrolka 2 bliká)

Rychlostní úroveň 3 - 10 minut (kontrolka 3 bliká)

Rychlostní úroveň 4 - 5 minut (kontrolka 4 bliká)

Pokud stiknete tlačítko T2 v režimu načasování, digestoř vypne režim načasování a rychlostní úroveň se sníží.

Pokud stiknete tlačítko T3 v režimu načasování, digestoř vypne režim načasování a rychlostní úroveň se zvýší.

Pokud stiknete tlačítko T4 v režimu načasování, digestoř vypne režim načasování a rychlostní úroveň zůstane stejná.

# Použití spotřebiče

## Alarm - mastnota na filtru

Po 40 hodinách provozu začne blikat kontrolka 1.

Když se spustí tento alarm, je čas vyčistit mastnotu z filtru.

Pro vynulování alarmu stikněte tlačítko T4 a podržte ho po dobu 5 vteřin.

Uslyšíte zapípání a kontrolka 1 přestane blikat.

## Alarm - filtr s aktivním uhlím

Po 160 hodinách provozu začne blikat kontrolka 2.

Když se spustí tento alarm, je čas vyměnit filtr s aktivním uhlím za nový.

Pro vynulování alarmu stikněte tlačítko T4 a podržte ho po dobu 5 vteřin.

Uslyšíte zapípání a kontrolka 2 přestane blikat.

V případě že se alarmy u obou filtrů spustí zároveň, kontrolky 1 a 2 budou blikat střídavě.

V takovém případě se dají alarmy vynulovat pomocí výše uvedeného postupu.

V prvním kroce se alarm filtru s aktivním uhlím vynuluje a ve druhém se vynuluje alarm mastnoty filtru.

Ve standardní provozním režimu není alarm filtru s aktivním uhlím aktivní.

V případě použití digestoře s filtrací by měl být alarm filtru aktivního uhlí aktivován.

## Aktivace alarmu filtru s aktivním uhlím

Vypněte digestoř tak, že stikněte tlačítko T4 a podržte ho po dobu 5 vteřin.

Tím, jak tlačítko stisknete, začnou blikat kontrolky odpovídající právě aktivním filtrům.

Uslyšíte zapípání a kontrolka 2 se rozsvítí.

Kontrolka 1 a 2 budou svítit přibližně 2 vteřiny, než se digestoř vypne.

Deaktivace alarmu filtru s aktivním uhlím:

Vypněte digestoř tak, že stikněte tlačítko T4 a podržte ho po dobu 5 vteřin.

Tím, jak tlačítko stisknete, začnou blikat kontrolky odpovídající právě aktivním filtrům.

Uslyšíte zapípání a kontrolka 2 vyhasne.

Kontrolka 1 budou svítit přibližně 2 vteřiny, než se digestoř vypne.

## Úsporné použití:

- Při používání digestoře upravte rychlost podle intenzity zápachu a páry, abyste předešli zbytečné spotřebě energie.

# Použití spotřebiče

- Použijte pomalé rychlostní úroveň (1-2) za normálních okolností a vysoké rychlostní úroveň (3-4) v případě hustého zápachu a kondenzace páry.
- Světla na digestoři mají za cíl osvětlit varnou oblast.

Pokud je budete používat k osvětlení okolí/kuchyně, dojde ke zbytečnému nárůstu spotřeby energie a nevhodnému osvětlení.

## **Používání digestoře:**

- Digestoř je vybavena motorem s různými hodnotami rychlosti.
- Pro lepší účinnost doporučujeme používat nízkou rychlost v běžných podmínkách, vysokou rychlost při intenzivním zápachu a páře.
- Digestoř můžete spustit stiskem tlačítka požadované úrovní rychlosti.
- Varnou plochu můžete osvětlit tlačítkem osvětlení. (A)

# Údržba and čištění

Před čištěním a údržbou odpojte spotřebič nebo vypněte hlavní spínač nebo povolte pojistku pro digestoř.

## Čištění:

Digestoř nad vaříčem musí být čištěna pravidelně (minimálně se stejnou frekvencí, s níž provádíte údržbu tukových filtrů), jak zvenku, tak zevnitř.

Digestoř čistěte vlhkým hadříkem a neutrálním kapalným saponátem.

Nepoužívejte abrazivní mycí prostředky. **NEPOUŽÍVEJTE ALKOHOL!**

## VAROVÁNÍ!

Nedodržení základních požadavků na čištění digestoře a výměnu filtrů může představovat nebezpečí vzniku požáru.

Z tohoto důvodu vám doporučujeme, abyste postupovali dle uvedených pokynů.

Výrobce nenese zodpovědnost za poškození motoru a poškození ohněm způsobené nevhodnou údržbou nebo nedodržením výše uvedených bezpečnostních opatření.

## Periferní sací panel

### Údržba a vyjmutí panelu:

- Posuňte panel směrem nahoru o 2 cm;
- Přitáhněte panel k sobě.

## Čištění:

Sací panel by měl být pravidelně čištěn ve stejných intervalech jako filtry proti mastnotě.

K čištění použijte navlhčený hadřík a neutrální čistící prostředek.

Vyhnete se použití abrazivních produktů.

**NEČISTĚTE ALKOHOLEM!**

## PŘIPEVNĚNÍ:

Postupujte kroků pro vyjmutí v opačném pořadí.

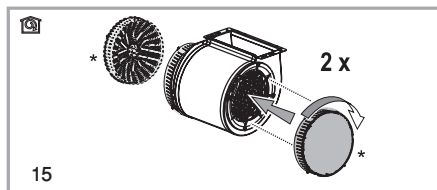
Pozor! Ujistěte se, že panel pořádně sedí a že je správně připevněn.

## Filtr s aktivním uhlím (pouze modely s filtrem)

Po dlouhodobém používání se může filtr s aktivním uhlím zanášet, v závislosti na typu vaření a pravidelnosti čištění olejového filtru.

Náplň musí být vyměněna každé čtyři měsíce (nebo když kontrolka plnosti filtru značí, že filtr je třeba vyměnit - je-li součástí modelu). (Obrázek 15)

Filtr s aktivním uhlím nelze mýt a znovu používat.



# Údržba and čištění

Kruhový filtr s aktivním uhlím

Jeden filtr umístěte vedle ochranných klecí chrániče motoru, potom část otočte ve směru hodinových ručiček.

Při demontáži část otočte proti směru hodinových ručiček.

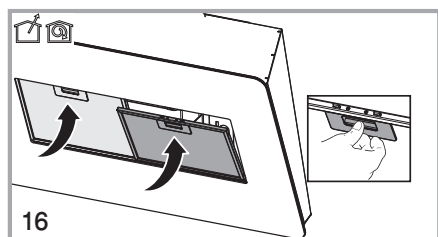
## Filtr proti mastnotě

Zachycuje částechy mastnoty vzniklé během vaření.

Filtr proti mastnotě se musí čistit měsíčně (nebo filtrovací systém s kontrolkou plnosti - je-li u zakoupeného modelu k dispozici) pomocí čistícího prostředku bez kyseliny ručně, nebo v myčce - při nízké teplotě a na krátký program.

Při mytí v myčce se může barva filtru lehce změnit, ale to neovlivňuje jeho filtrovací kapacitu.

Pro vyjmutí filtru stlačte uvolňovací páčku. (Obr. 16)



## Čištění

Nezanedbávejte čištění digestoře bezprostředně po smažení.

K čištění vnějšího povrchu digestoře použijte měkký hadřík navlhčený v kapalném saponátu.

K čištění nikdy nepoužívejte brusné ani hrubé materiály.

Můžete používat čistící prostředky běžně dostupné na odolnou mastnotu atd., pokud dodržíte pokyny a varování na výrobku. Abyste nepoškrábali trup z broušené oceli, otírejte ve stejném směru.

Nepoužívejte čistidla s kyselinou uhlovodíkovou, škrob nebo brusný prášek, abyste zachovali kvalitu povrchu výrobku. Používejte hadřík navlhčený v mýdlovém roztoku nebo speciální čistící sprej na nerezavějící ocel. Sejměte ochrannou fólii ze spotřebiče.

## Pozor!

Pokud nedodržíte pokyny týkající se čištění a výměny filtrů digestoře, můžete způsobit požár.

## Pokud musíte spotřebič přemístit:

Uskladněte si originální balení spotřebiče. Spotřebič přepravujte v původním obalu a dodržujte značení pro přepravu na původním obalu.

## Pokud nemáte původní obal:

- Na digestoř neumísťte žádné předměty.
- Ochraňte vnější plochu před nárazy.
- Zabalte spotřebič tak, aby se během přepravy nepoškodil.

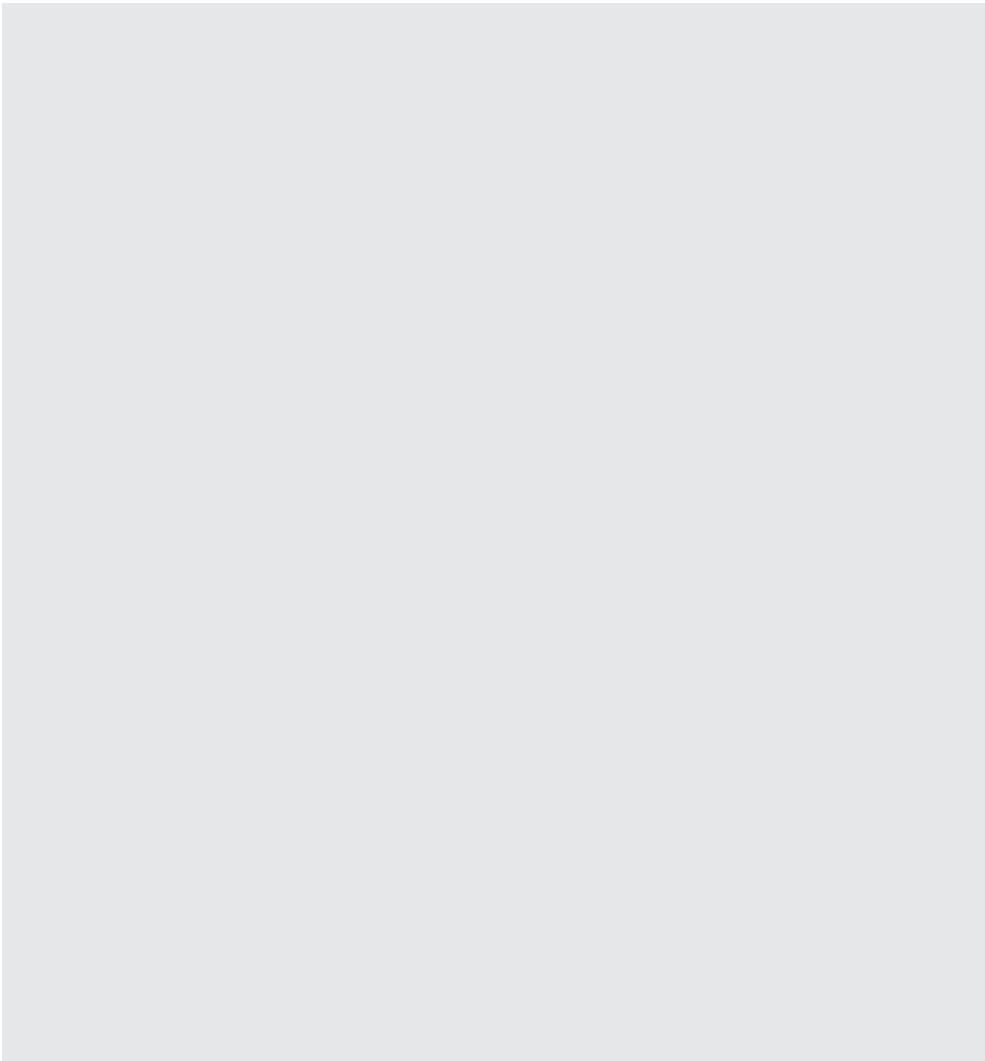
## Výměna světel

### VAROVÁNÍ!

Než se dotknete žárovek, ujistěte se, že vychladly.

Kvůli výměně světel kontaktujte autorizovaný servis.





FOR A GOOD REASON

**GRUNDIG**

[www.grundig.com](http://www.grundig.com)