

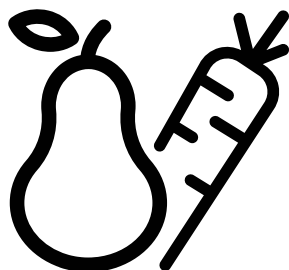
GRUNDIG

Refrigerator

User Manual

Refrigerador

Manual del usuario



GSBS23340FXPN



EN/ES

58 6292 0000/AE -EN-ES 1/4


Dear Customer,
Please read this manual before using the product.


Thank you for choosing this product. We would like you to achieve the optimal efficiency from this high quality product which has been manufactured with state of the art technology. To do this, carefully read this manual and any other documentation provided before using the product and keep it as a reference. Heed all information and warnings in the user manual. This way, you will protect yourself and your product against the dangers that may occur. Keep the user manual. Include this guide with the unit if you hand it over to someone else.




The following symbols are used in the user guide:

 Hazard that may result in death or injury.

NOTICE A hazard that may cause material damage to the product or its surroundings

 Important information or useful tips on operation.

 Read the user manual.

 INFORMATION	
 SUPPLIER'S NAME A	 MODEL IDENTIFIER → (*) A
<p>.The model information as stored in the product data base can be reached by entering following website and searching for your model identifier (*) found on energy label.</p> <p>https://eprel.ec.europa.eu/</p>	

1 Safety Instructions	3	6 Operation of the Product	23
! 1.1 Purpose of usage	3	6.2 Indicator panel.....	23
! 1.2 Safety of children, vulnerable persons and pets	3	6.3 Deodoriser Module	26
! 1.3 Electrical safety.....	4	6.4 Humidity controlled crisper(FreSHelf).....	26
! 1.4 Handling Safety	4	(This feature is optional)	26
! 1.5 Installation Safety	4	6.5 Blue light/VitaminCare Technology.....	27
! 1.6 Operational safety	5	6.6 Using the water fountain.....	28
! 1.7 Maintenance and cleaning safety.....	7	6.7 Filling the water tank of the water fountain.....	28
! 1.8 HomeWhiz	7	6.8 Cleaning the water tank	29
! 1.9 Lighting.....	7	6.9 Dairy (cold storage) bin	30
2 Environmental instructions	8	6.10 Crisper	30
2.1 Compliance with the WEEE Directive and Disposing of the Waste Product: 8		6.11 Ionizer	30
2.2 Compliance with RoHS Directive .8		6.12 Odour filter	30
2.3 Package information	8	6.13 Icematic and ice storage box ...	30
3 Your Refrigerator	9	6.14 Taking ice / water	31
4 Installation	10	6.15 Drip tray	32
4.1 The right place for installation... 10		6.16 Ice-maker	32
4.2 Attaching the plastic wedges 10		6.17 Freezing fresh food.....	35
4.3 Adjustment of the feet..... 11		6.18 Recommendations for storing frozen foods	36
4.4 Electrical connection..... 13		6.19 Deep freezer details	36
4.5 Water connection	13	6.20 Placing the food.....	37
4.6 Connecting water hose to the product.....	14	6.21 Door open alert.....	37
4.7 Connecting to water mains	14	6.22 Illumination lamp	37
4.8. For products using water carboy	15	7 Maintenance and cleaning	38
4.9 Water filter	16	7.1 Stainless Steel External Surfaces	38
4.9.1. Fixing external filter on the wall (Optional)	16	7.2 Cleaning of the Products with Glass Doors	39
4.9.2. Internal filter	17	7.3 Preventing Odours	39
5 Preparation	20	7.4 Protecting Plastic Surfaces ..	39
5.1 What to do for energy saving. 20		7 Maintenance and cleaning	39
5.2 First operation	21	8 Troubleshooting	40
5 Preparation	21		
6 Operating the Product	22		
6.1 Turning off the product.....	22		

1 Safety Instructions

- This section includes the safety instructions necessary to prevent the risk of personal injury or material damage.
- Our company shall not be held responsible for damages that may occur if these instructions are not observed.

! Installation and repair operations shall always be performed by Authorized Service.

! Always use genuine spare parts and accessories.

! Original spare parts will be provided for 10 years, following the product purchasing date.

! Do not repair or replace any part of the product unless specified expressly in the user manual.

! Do not perform any modifications on the product.

! 1.1 Purpose of usage

- This product is not intended for commercial use and it shall not be used out of its intended purpose.

This product is intended for operating interiors, such as households or similar.

For example;

- In the staff kitchens of the stores, offices and other working environments,
- In farm houses,
- In the units of hotels, motels or other resting facilities that are used by the customers.

- In hostels, or similar environments,
- In catering services and similar non-retail applications.

This product shall not be used in open or enclosed external environments such as vessels, balconies or terraces. Exposing the product to rain, snow, sunlight and wind may cause risk of fire.

! 1.2 Safety of children, vulnerable persons and pets

- This product may be used by children aged 8 years and older and persons with underdeveloped physical, sensory or mental capabilities or lack of experience and knowledge if they have been given supervision or instruction concerning use of the appliance in a the product safe way and the hazards involved.
- Children between 3 and 8 years are allowed to put and take out food to/ from the cooler product.
- Electrical products are dangerous for children and pets. Children and pets must not play with, climb on, or enter the product.
- Cleaning and user maintenance should not be performed by children unless there is someone overseeing them.
- Keep the packaging materials away from children. Risk of injury and suffocation.
- Before disposing of old products that shall not be used any more:
 1. Unplug the power cord from the mains socket.
 2. Cut the power cord and remove it from the appliance together with the plug.
 3. Do not remove the racks and drawers from the product to prevent children from getting inside the appliance.
 4. Remove the doors.

Safety instructions

5. Store the product so that it shall not be tipped over.
 6. Do not allow children to play with the scrapped product.
- Do not dispose of the product by throwing it into fire. Risk of explosion.
 - If there is a lock available in the product's door, keep the key out of children's reach.

1.3 Electrical safety

- The product shall not be plugged into the outlet during installation, maintenance, cleaning, repair, and transportation operations.
 - If the power the cord is damaged, it shall be replaced by authorized service only to avoid any risk that may occur.
 - Do not tuck the power cord under the product or to the rear of the product. Do not put heavy items on the power cord. The power cord should not be bent, crushed, and come into contact with any heat source.
 - Do not use an extension cord, multi-plug or adaptor to operate your product.
 - Portable multi sockets or portable power supplies may overheat and cause fire. Thus, do not have a multi-plug behind or in the vicinity of the product.
 - The plug shall be easily accessible. If this is not possible, a mechanism that meets the electrical legislation and that disconnects all terminals from the mains (fuse, switch, main switch, etc.) shall be available on the electrical installation.
- 4 • Do not touch the plug with wet hands.

- When unplugging the appliance, don't hold the power cord, but the plug.

1.4 Handling Safety

- This product is heavy, do not handle it by yourself.
- Do not hold the product from its door while handling the product.
- Be careful not to damage the cooling system and the pipes while handling the product. Do not operate the product if the pipes are damaged, and contact an authorized service.

1.5 Installation Safety

- Contact the Authorized Service for the product's installation. To prepare the product for installation, see the information in the user guide and make sure the electric and water utilities are as required. If the installation is not suitable, call a qualified electrician and plumber to have them make the necessary arrangements. Otherwise, electric shock, fire, issues with the product or injuries may occur.
- Check for any damage on the product before installing it. Do not have the product installed if it is damaged.
- Place the product on a level and hard surface and balance with the adjustable legs. Otherwise, the refrigerator may tip over and cause injuries.
- The product shall be installed in a dry and ventilated environment. Do not keep carpets, rugs or similar floor covers under the product. This may cause risk of fire as a result of inadequate ventilation!
- Do not block or cover ventilation holes. Otherwise, power consumption may be increased and damage to your product

Safety instructions

may occur.

- Do not connect the product to supply systems such as solar power supplies. Otherwise, damage to your product may occur as a result of the abrupt voltage fluctuations!
- The more refrigerant a refrigerator contains, the bigger its installation room shall be. In very small rooms, a flammable gas-air mixture may occur in case of a gas leak in the cooling system. At least 1 m³ of volume is required for each 8 grams of refrigerant. The amount of the refrigerant available in your product is specified in the Type Label.
- The installation place of the product shall not be exposed to direct sunlight and it shall not be in the vicinity of a heat source such as stoves, radiators, etc.

If you cannot prevent installation of the product in the vicinity of a heat source, you shall use a suitable insulation plate and the minimum distance to the heat source shall be as specified below.

- At least 30 cm away from heat sources such as stoves, heating units and heaters, etc.,

- And at least 5 cm away from electric ovens.

- Your product has the protection class of I. Plug the product in a grounded socket that conforms with the Voltage, Current and Frequency values specified in the type label. The socket outlet shall be equipped with a fuse with a rating of 10 A - 16 A. Our company shall not be responsible for the damages that shall be incurred as a result of operating the product without ensuring ground and electrical connections made as per local or

national regulations.

- The product's power cable must be unplugged during installation. Otherwise, risk of electric shock and injury may occur!
- Do not plug the product to loose, broken, dirty, greasy sockets or sockets that has come out their seats or sockets with a risk of water contact.
- Place the power cord and hoses (if available) of the product so that they shall not cause a risk of tripping over.
- Penetration of humidity to live parts or to the power cord may cause short circuit. Thus, do not use the product in humid environments or in areas where water may splash (e.g. garage, laundry room, etc.) If the refrigerator is wet by water, unplug it and contact an authorized service.
- Do not connect your refrigerator to power saving devices. These systems are harmful for the product.

1.6 Operational safety

- Do not use chemical solvents on the product. These materials contain an explosion risk.
- In case of a failure of the product, unplug it and do not operate until it is repaired by the authorized service. There is a risk of electric shock!
- Do not place a source of flame (e.g. candles, cigarettes, etc.) on the product or in the vicinity of it.
- Do not get on the product. Risk of falling and injury!

EN

ES

SV

NO

FI

DA

PT

EL

Safety instructions

- Do not cause damage to the pipes of the cooling system using sharp and piercing tools. The refrigerant that sprays out in case of puncturing the gas pipes, pipe extensions or upper surface coatings may cause irritation of skin and injuries of the eyes.
- Do not place and operate electric appliances inside the refrigerators/ deep freezer unless it is advised by the manufacturer.
- Do not jam any parts of your hands or your body to the moving parts inside the product. Be careful to prevent jamming of your fingers between the refrigerator and its door. Be careful while opening or closing the door if there are children around.
- Do not put ice cream, ice cubes or frozen food to your mouth as soon as you take them out of the freezer. Risk of frostbite!
- Do not touch the inner walls, metal parts of the freezer or food kept inside the refrigerator with wet hands. Risk of frostbite!
- Do not place soda cans or cans and bottles that contain fluids that may be frozen to the freezer compartment. Cans or bottles may explode. Risk of injury and material damage!
- Do not use or place materials sensitive against temperature such as flammable sprays, flammable objects, dry ice or other chemical agents in the vicinity of the refrigerator. Risk of fire and explosion!
- Do not store explosive materials such as aerosol cans with flammable materials inside the product.
- Do not place cans containing fluids over the product. Splashing of water on an electrical part may cause the risk of an electric shock or a fire.
- This product is not intended for storage and cooling of medicines, blood plasma, laboratory preparations or similar materials and products that are subject to the Medical Products Directive.
- If the product is used against its intended purpose, it may cause damage to or deterioration of the products kept inside.
- If your refrigerator is equipped with blue light, do not look at this light with optical devices. Do not stare directly at UV LED light for a long time. Ultraviolet rays may cause eye strain.
- Do not fill the product with more food than its capacity. Injuries or damages may occur if the contents of the refrigerator falls when the door is opened. Similar problems may occur when an object is placed over the product.
- Ensure that you have removed any ice or water that may have fallen to the floor to prevent injuries.
- Change the locations of the racks/ bottle racks on the door of your refrigerator while the racks are empty only. Danger of physical injury!
- Do not place objects that may fall/ tipped over on the product. These objects may fall while opening or closing the door and cause injuries and/or material damages.
- Do not hit or exert excessive pressure on glass surfaces. Broken glass may cause injuries and/or material damages.
- The cooling system in your product contains R600a refrigerant. The refrigerant type used in the product is specified in the the type label. This gas

Safety instructions

is flammable. Therefore, be careful not to damage the cooling system and the pipes while operating the product. In case of damage to the pipes;

- do not touch the product or the power cord,
- Keep the product away from potential sources of fire that may cause the product to catch fire.
- ventilation the area where the product is placed. Do not use a fan.
- Contact authorized service.
- If the product is damaged and you observe gas leak, please stay away from the gas. Gas may cause frostbite if it contacts your skin.

For Products With Water Fountain / Ice Maker

- Use only drinking water. Do not fill the water tank with fruit juice, milk, fizzy beverages, alcoholic beverages or any other liquids incompatible for use in the water fountain. This may cause risk to your health and safety.
- Do not allow the children to play with the water dispenser or Ice Maker to prevent accidents and injuries.
- Do not insert your fingers or other objects inside the hole of the water dispenser, ice channel or inside the container of the Ice Maker. This may cause injuries or material damages.

1.7 Maintenance and cleaning safety

- Do not pull by the door handle if you shall move the product for cleaning purposes. Handle may cause injuries if

it is pulled too hard.

- Do not clean the product by spraying or pouring water on the product and inside the product. Risk of electric shock and fire.
- Do not use sharp or abrasive tools to clean the product. Do not use materials such as household cleaning agents, detergents, gas, gasoline, alcohol, wax, etc.
- Use cleaning and maintenance agents that are not harmful for food only inside the product.
- Do not use steam or steamed cleaning materials for cleaning the product and thawing the ice inside it. Steam contacts the live areas in your refrigerator and causes short circuit or electric shock!
- Take care to keep water away from the electronic circuits or lighting of the product.
- Use a clean, dry cloth to wipe the dust or foreign material on the tips of the plugs. Do not use a wet or damp piece of cloth to clean the plug. Otherwise, risk of fire or electric shock may occur.

1.8 HomeWhiz

(May not be applicable for all models)

- Follow the safety warnings even if you are away from the product while operating the product via HomeWhiz app. Also, pay attention to the warnings in the app.

1.9 Lighting

(May not be applicable for all models)

- Contact an authorized service when you shall replace the LED / bulb using for lighting.

EN

ES

SV

NO

FI

DA

PT

EL

2 Environmental instructions

2.1 Compliance with the WEEE Directive and Disposing of the Waste Product:

This product complies with EU WEEE Directive (2012/19/EU). This product bears a classification symbol for waste electrical and electronic equipment (WEEE).



This symbol indicates that this product shall not be disposed with other household wastes at the end of its service life. Used device must be returned to

official collection point for recycling of electrical and electronic devices. To find these collection systems please contact to your local authorities or retailer where the product was purchased. Each household performs important role in recovering and recycling of old appliance. Appropriate disposal of used appliance helps prevent potential negative consequences for the environment and human health.

2.2 Compliance with RoHS Directive

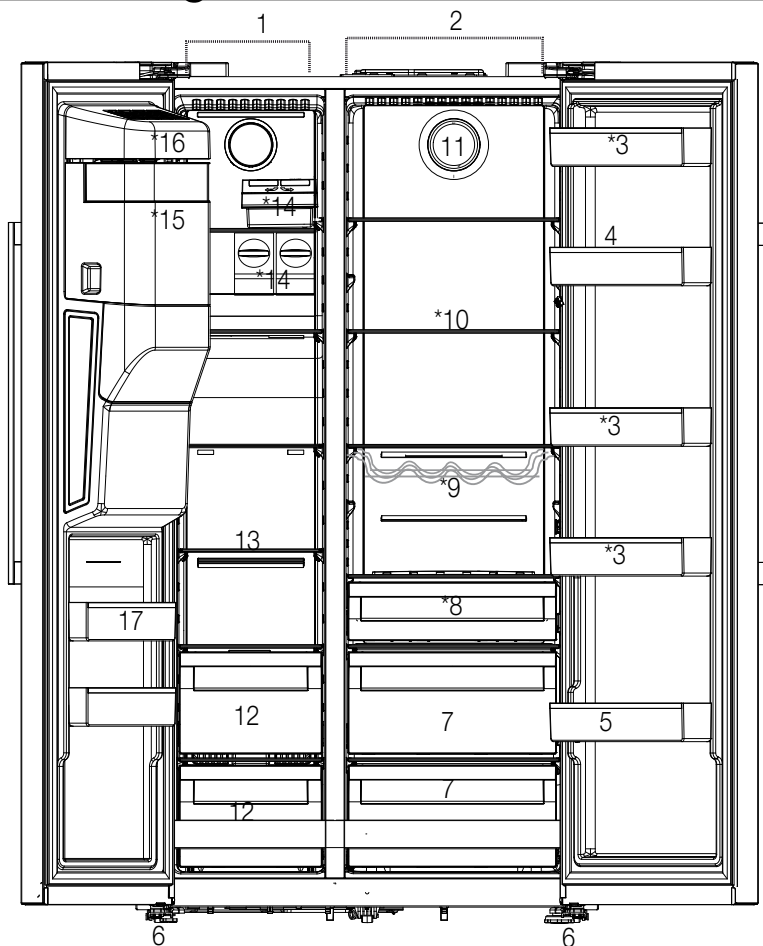
The product you have purchased complies with EU RoHS Directive (2011/65/EU). It does not contain harmful and prohibited materials specified in the Directive.

2.3 Package information



Packaging materials of the product are manufactured from recyclable materials in accordance with our National Environment Regulations. Do not dispose of the packaging materials together with the domestic or other wastes. Take them to the packaging material collection points designated by the local authorities.

3 Your Refrigerator



- | | |
|------------------------------------|--------------------------------------|
| 1. Freezer compartment | 10. Glass shelves |
| 2. Cooler compartment | 11. Fan |
| 3. Cooler compartment door shelves | 12. Frozen food storing compartments |
| 4. Egg Holder | 13. Freezer compartment glass shelf |
| 5. Bottle shelf | 14. Icemat |
| 6. Adjustable stands | 15. Ice storage box |
| 7. Crispers | 16. Ice-maker decorative lid |
| 8. The dairy (cold storage) bin | 17. Freezer compartment door shelves |
| 9. Bottle shelf | |

May not be available in all models



***Optional:** Figures in this user guide are schematic and may not be exactly match your product. If your product does not comprise the relevant parts, the information pertains to other models.

4 Installation

4.1 The right place for installation



Read the "Safety Instructions" section first!

Your product requires adequate air circulation to function efficiently. If the product will be placed in an alcove, remember to leave at least 5 cm clearance between the product and the ceiling, rear wall and the side walls.

If the product will be placed in an alcove, remember to leave at least 5 cm clearance between the product and the ceiling, rear wall and the side walls. Check if the rear wall clearance protection component is present at its location (if provided with the product). If the component is not available, or if it is lost or fallen, position the product so that at least 5 cm clearance shall be left between the rear surface of the product and the wall of the room. The clearance at the rear is important for efficient operation of the product.



WARNING: Do not use extension or multi sockets in power connection.



WARNING: The manufacturer assumes no responsibility for any damage caused by the work carried out by unauthorized persons.



WARNING: The product's power cable must be unplugged during installation. Failure to do so may result in death or serious injuries!



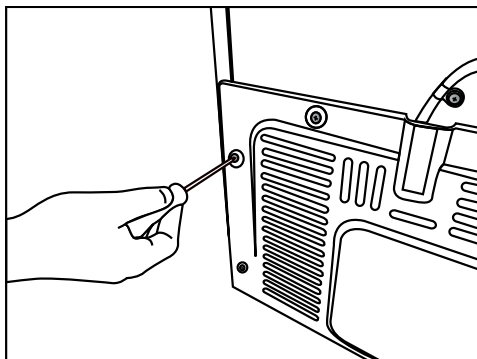
WARNING: : If the door span is too narrow for the product to pass, remove the door and turn the product sideways; if this does not work, contact the authorized service.

- Place the product on a flat surface to avoid vibration.
- Place the product at least 30 cm away from the heater, stove and similar sources of heat and at least 5 cm away from electric ovens.
- Do not expose the product to direct sunlight or keep in damp environments.
- The product requires adequate air circulation to function efficiently. If the product will be placed in an alcove, remember to leave at least 5 cm distance between the product and the ceiling and the walls.

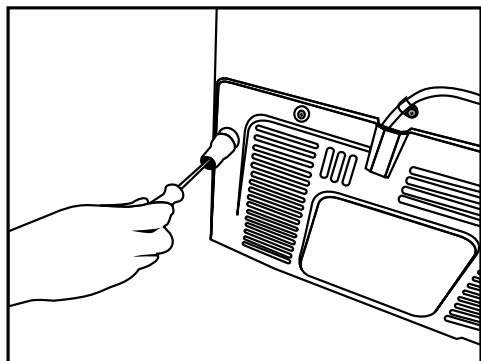
4.2 Attaching the plastic wedges

Use the plastic wedges in the provided with the product to provide sufficient space for air circulation between the product and the wall.

- 1- To attach the wedges, remove the screws on the product and use the screws provided with the wedges.

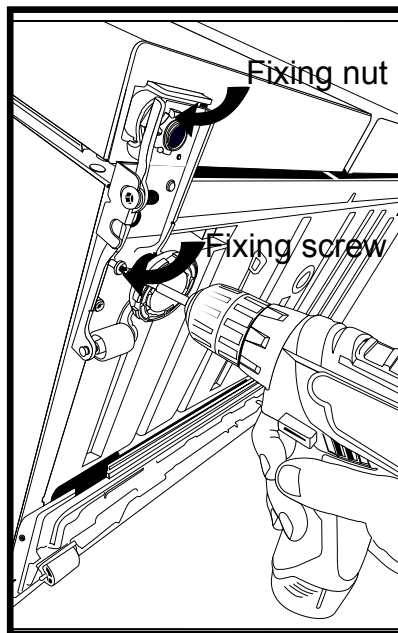
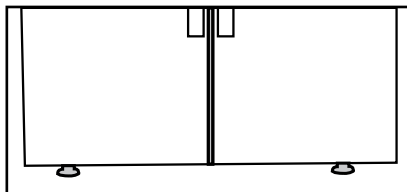


- 2-** Attach 2 plastic wedges on the ventilation cover as shown in the figure.



4.3 Adjustment of the feet

If the product is not in balanced position, adjust the front adjustable stands by rotating right or left.



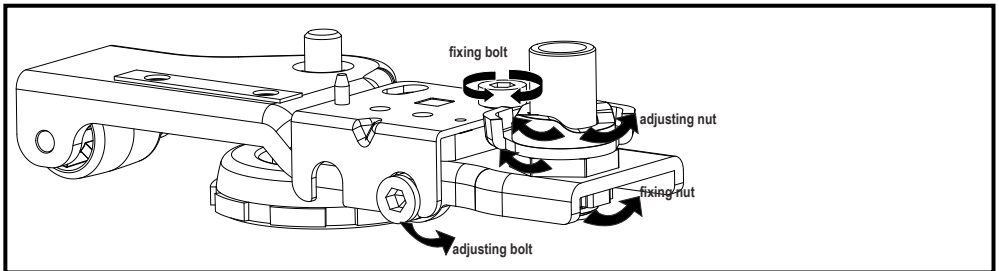
Installation

In order to adjust the doors vertically,

- Loosen the fixing nut at the bottom
- Screw adjusting nut (CW/CCW) according to the position of the door
- Tighten the fixing nut for the final position

In order to adjust the doors horizontally,

- Loosen the fixing screw at the bottom
- Loosen the fixing bolt on the top
- Screw the adjusting bolt (CW/CCW) on the side according to the position of the door
- Tighten the fixing bolt on the top for the final position
- Tighten the fixing screw at the bottom



Installation

4.4 Electrical connection



WARNING: Do not use extension or multi sockets in power connection.



WARNING: Damaged power cable must be replaced by Authorized Service.

- Our firm will not assume responsibility for any damages due to usage without earthing and power connection in compliance with national regulations.
- The power cable plug must be easily accessible after installation.



Hot surface warning!
The side walls of your product are equipped with cooler pipes to enhance the cooling system. High pressure fluid may flow through these surfaces, and cause hot surfaces on the side walls. This is normal and it does not require servicing. Be careful when you contact these areas.

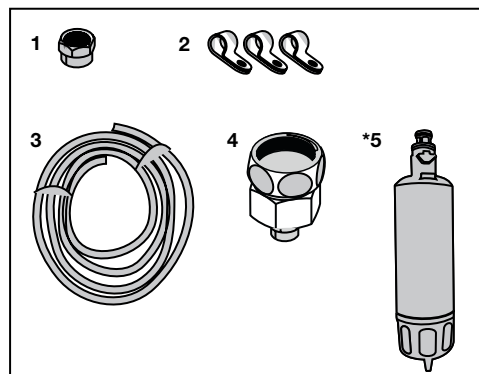
4.5 Water connection

(Optional)



WARNING: Unplug the product and the water pump (if available) during connection.

The product's water mains, filter and carboy connections must be rendered by authorizer service. The product can be connected to a carboy or directly to the water mains, depending on the model. To establish the connection, the water hose must first be connected to the product. Check to see the following parts are supplied with your product's model:



1. Connector (1 piece): Used to attach the water hose to the rear of the product.
2. Hose clip (3 pieces): Used to fix the water hose on the wall.
3. Water hose (1 piece, 5 meter diameter 1/4 inches): Used for the water connection.
4. Faucet adapter (1 piece): Comprises a porous filter, used for connection to the cold water mains.

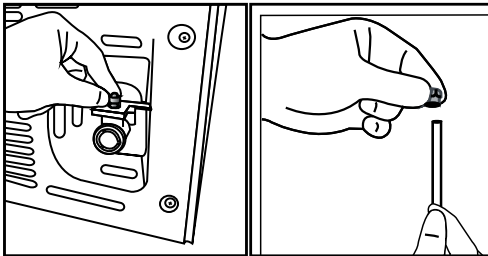
Installation

5. Water filter (1 piece *Optional):
Used to connect the mains water to the product. Water filter is not required if carboy connection is available.

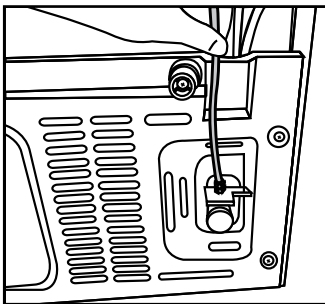
4.6 Connecting water hose to the product

To connect the water hose to the product, follow the instructions below.

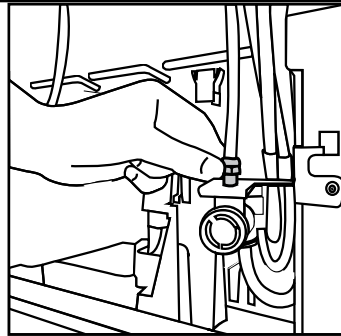
1. Remove the connector on the hose nozzle adaptor in the back of the product and run the hose through the connector.



2. Push the water hose down tightly and connect to the hose nozzle adaptor.



3. Tighten the connector manually to fix on the hose nozzle adaptor. You may also tighten the connector using a pipe wrench or pliers.



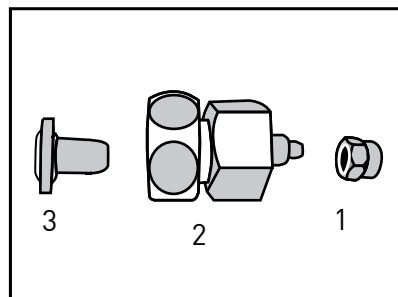
4. Connect the other end of the hose to the water mains (See Section 4.7) or, to use carboy, to the water pump (See Section 4.8).

4.7 Connecting to water mains

(Optional)

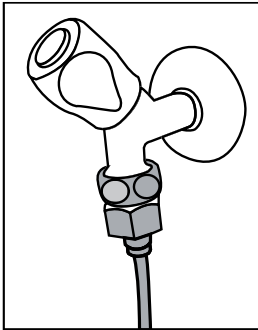
To use the product by connecting to the cold water mains, a standard 1/2" valve connector must be installed to the cold water mains in your home. If the connector is not available or if you are unsure, consult a qualified plumber.

1. Detach the connector (1) from the faucet adaptor (2).

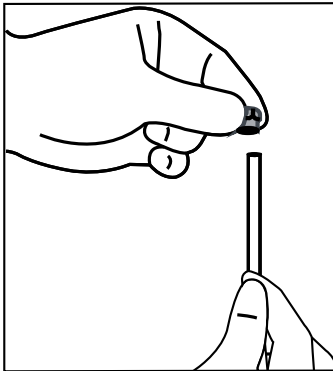


Installation

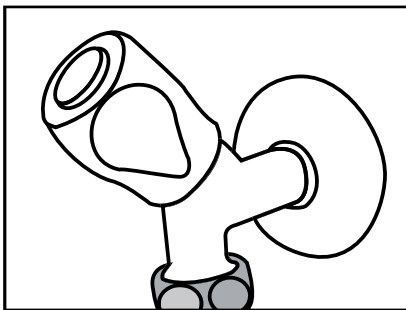
2. Connect the faucet adaptor to the water mains valve.



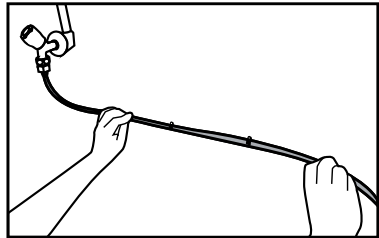
3. Attach the connector around the water hose.



4. Attach the connector into the faucet adaptor and tighten by hand / tool.



5. To avoid damaging, shifting or accidentally disconnecting the hose, use the clips provided to fix the water hose appropriately.



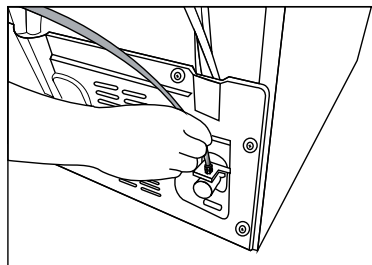
WARNING: After turning the faucet on, make sure there is no water leak on either end of the water hose. In case of leakage, turn the valve off and tighten all connections using a pipe wrench or pliers.

4.8. For products using water carboy

(Optional)

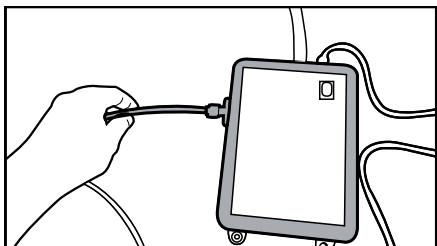
To use a carboy for the product's water connection, the water pump recommended by the authorized service must be used.

1. Connect one end of the water hose provided with the pump to the product (see 4.6) and follow the instructions below.

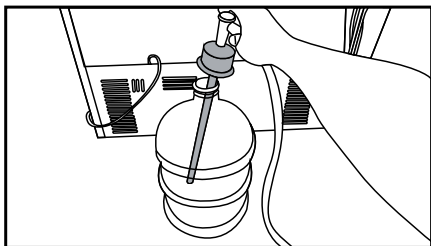


Installation

2. Connect the other end of the water hose to the water pump by pushing the hose into the pump's hose inlet.



3. Place and fasten the pump hose inside the carboy.



4. Once the connection is established, plug in and start the water pump.



Please wait 2-3 minutes after starting the pump to achieve the desired efficiency.



See also the pump's user guide for water connection.



When using carboy, water filter is not required.

4.9 Water filter

(Optional)

The product may have internal or external filter, depending on the model.

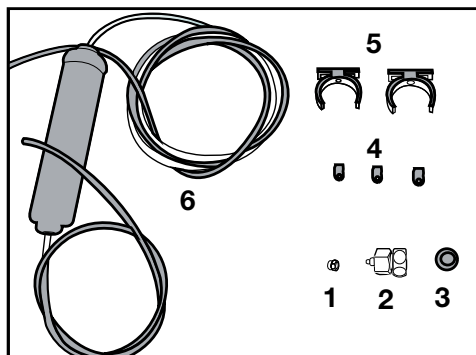
- 16 To attach the water filter, follow the instructions below.

4.9.1. Fixing external filter on the wall (Optional)



WARNING: Do not fix the filter on the product.

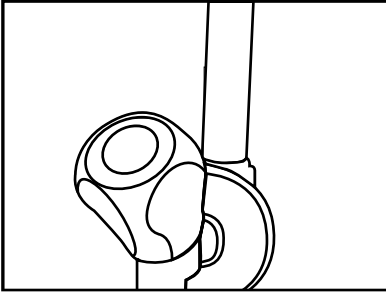
Check to see the following parts are supplied with your product's model:



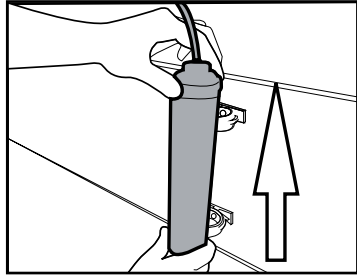
1. Connector (1 piece): Used to attach the water hose to the rear of the product.
 2. Faucet adapter (1 piece): Used for connection to the cold water mains.
 3. Porous filter (1 piece)
 4. Hose clip (3 pieces): Used to fix the water hose on the wall.
 5. Filter connecting apparatus (2 pieces): Used to fix the filter on the wall.
 6. Water filter (1 piece): Used to connect the product to the water mains. Water filter is not necessary when using carboy connection.
1. Connect the faucet adaptor to the water mains valve.
 2. Determine the location to fix the external filter. Fix the filter's connecting apparatus (5) on the wall.

Installation

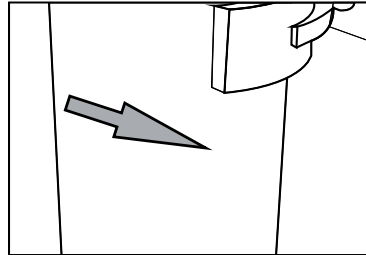
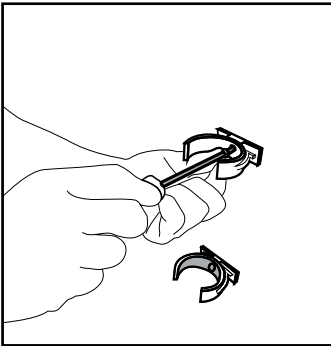
3. Attach the filter in upright position on the filter connecting apparatus, as indicated on the label. (6)



After the connection is established, it should look like the figure below.

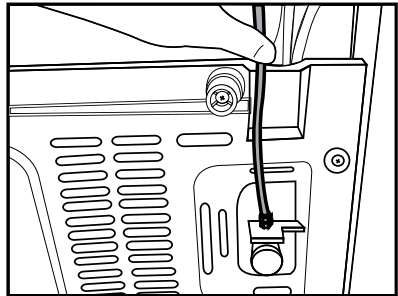


4. Attach the water hose extending from the top of the filter to the product's water connection adaptor, (see 4.6.)



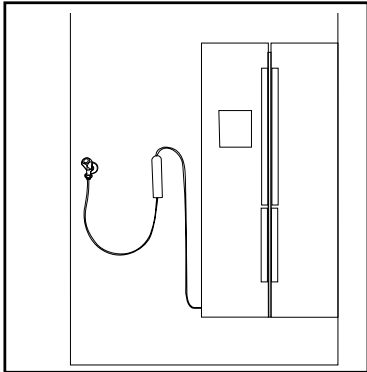
4.9.2. Internal filter

The internal filter provided with the product is not installed upon delivery; please follow the instructions below to install the filter.

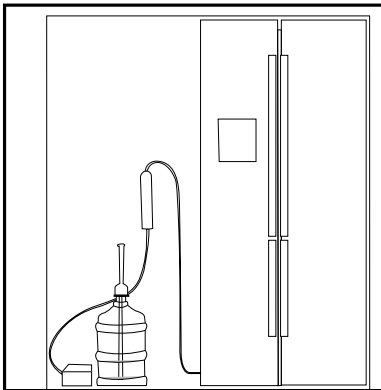


Installation

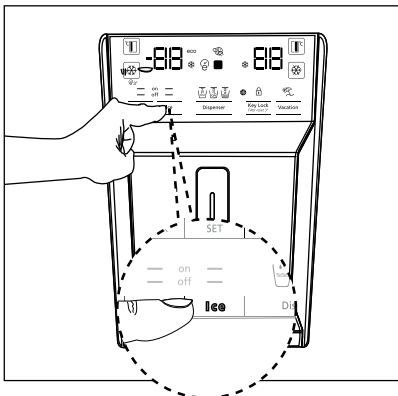
Water line:



Carboy line:

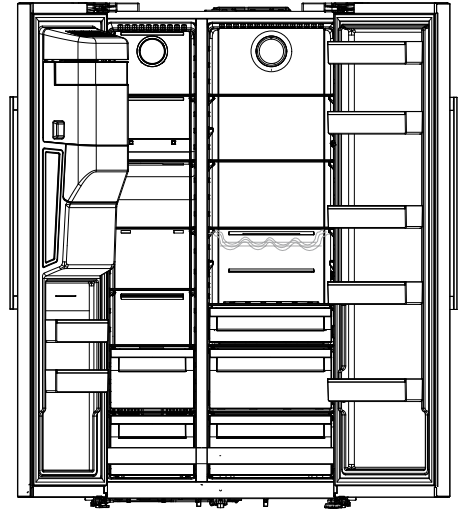


1. "Ice Off" indicator must be active while installing the filter. Switch the **ON-OFF** indicator using the "Ice" button on the screen.



2. Remove the vegetable bin to access the water filter.

Remove the water filter by-pass cover by pulling.

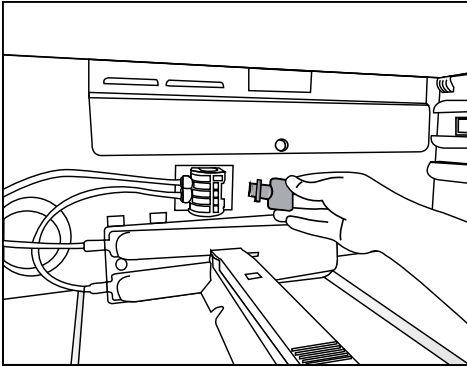


Installation



A few drops of water may flow out after removing the cover; this is normal.

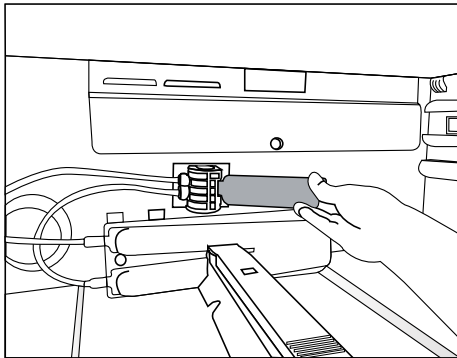
3. Place the water filter cover into the mechanism and push to lock in place.



4. Push the **“Ice”** button on the screen again to cancel the **“Ice Off”** mode.



The water filter will clear certain foreign particles in the water. It will not clear the microorganisms in the water.



EN

ES

SV

NO

FI

DA

PT

EL

5 Preparation



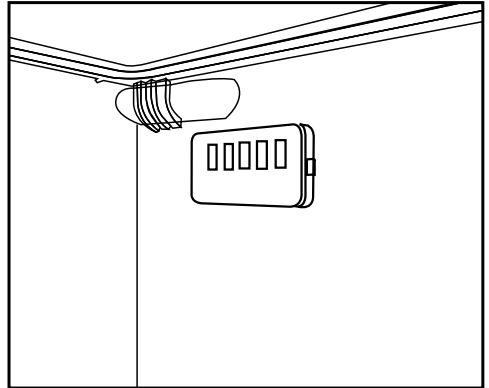
Read the "Safety Instructions" section first!

5.1 What to do for energy saving

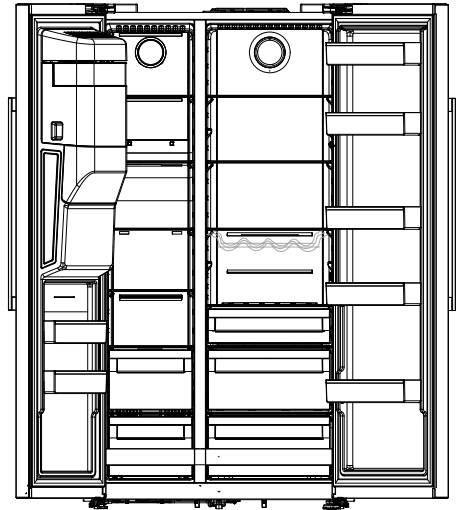


Connecting the product to electronic energy-saving systems is harmful, as it may damage the product.

- Do not keep the refrigerator doors open for long periods.
- Do not place hot food or beverages into the refrigerator.
- Do not overfill the refrigerator; blocking the internal air flow will reduce cooling capacity.
- Depending on the product's features; defrosting frozen foods in the cooler compartment will ensure energy saving and preserve food quality.
- Food shall be stored using the drawers in the cooler compartment in order to ensure energy saving and protect food in better conditions.
- Make sure the foods are not in contact with the cooler compartment temperature sensor described below.
- Since hot and humid air will not directly penetrate into your product when the doors are not opened, your product will optimize itself in conditions sufficient to protect your food. In this energy saving function, functions and components such as compressor, fan, heater, defrost, lighting, display and so on will operate according to the needs to consume minimum energy while maintaining the freshness of your foodstuff.



- In case of multiple options are present glass shelves must be placed so that the air outlets at the backwall are not blocked, preferably air outlets are remaining below the glass shelf. This combination may help improving air distribution and energy efficiency.



5 Preparation

5.2 First operation

Before using your refrigerator, make sure the necessary preparations are made in line with the instructions in "Safety and environment instructions" and "Installation" sections.

- Keep the product running without placing any food inside for 12 hours and do not open the door, unless absolutely necessary.



A sound will be heard when the compressor is engaged. It is normal to hear sound even when the compressor is inactive, due to the compressed liquids and gasses in the cooling system.



It is normal for the front edges of the refrigerator to be warm. These areas are designed to warm up in order to prevent condensation.



For some models, indicator panel turns off automatically 1 minutes after the door closes. It will be reactivated when the door is open or any button is pressed.

6 Operating the Product



Read the "Safety Instructions" section first!

- Do not use any mechanical tools or any other tools than the recommendations of the manufacturer to speed up the thawing operation.
- Do not use parts of your refrigerator such as the door or drawers as a support or a step. This may cause the product to trip over or its components to be damaged.
- The product shall be used for storing food only.
- Turn off the water valve if you will be away from home (e.g. at vacation) and you will not be using the Ice Maker or the water dispenser for a long period of time. Otherwise, water leaks may occur.

6.1 Turning off the product

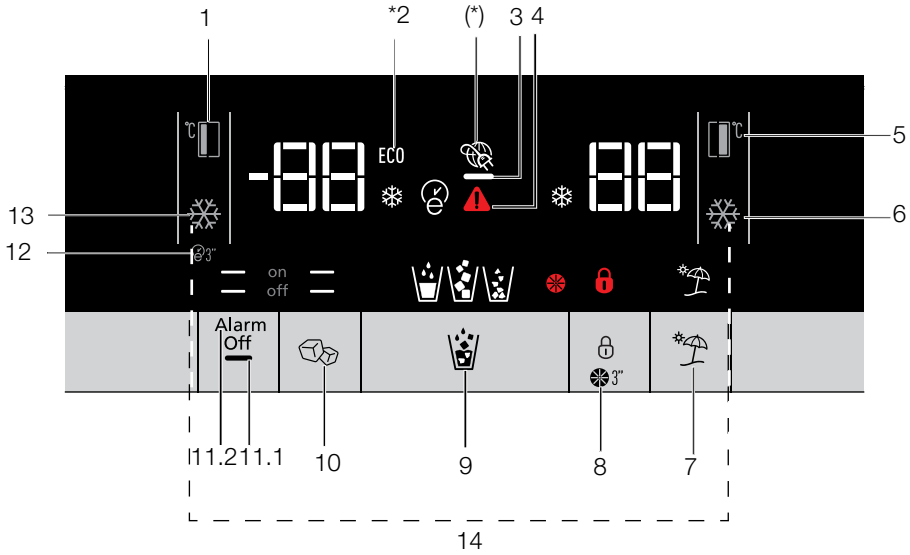
- If you shall not be using the product for a long period;
 - - unplug it,
 - - remove the food to prevent odours,
 - - wait until the ice is thawed,
 - - clean the inside and wait until it is dried.
 - - leave the doors open to prevent damage to internal body plastics.

6 Operation of the Product

Read the "Safety Instructions" section first!

6.2 Indicator panel

Indicator panels may vary depending on the model of your product. Audial and visual functions of the indicator panel will assist in using the refrigerator.



1. Freezer compartment temperature setting
2. Economy mode
3. Energy saving function (display off)
4. Power failure/High temperature / error warning indicator
5. Cooler compartment temperature setting
6. Rapid cooling
7. Vacation function
8. Keypad lock / filter replacing alert cancellation
9. Water, fragmented ice, ice cubes selection
10. Ice making on/off
11. Display on/of/Alarm off warning
12. Autoeco
13. Rapid freezing
14. Celcius/Fahrenheit Conversion


May not be available in all models



***Optional:** Figures in this user guide are schematic and may not be exactly match your product. If your product does not comprise the relevant parts, the information pertains to other models.

Using the product

1. Freezer compartment temperature setting

Pressing the button () will enable the freezer compartment temperature to be set at -18,-19,-20,-21,-22,-23,-24,-18...

2. Economy mode


Indicates the refrigerator is running on energy-saving mode. This indicator will be active when the freezer compartment temperature is set at -18 or the energy-saving cooling is engaged by eco-extra function. (ECO)

3. Energy saving function (display off)

If the product doors are kept closed for a long time energy saving function is automatically activated and energy saving symbol is illuminated. When energy saving function is activated, all symbols on the display other than energy saving symbol will turn off. When the Energy Saving function is activated, if any button is pressed or the door is opened, energy saving function will be canceled and the symbols on display will return to normal.

Energy saving function is activated during delivery from factory and cannot be canceled.

4. Power failure/High temperature / error warning indicator


This indicator () will light up in case of temperature faults or fault alerts. If you see this indicator is lit up, please see the "recommended solutions for problems" section in this guide.

This indicator illuminates during power failure, high temperature failures and error warnings. During sustained power failures, the highest temperature that the freezer compartment reaches will flash on the digital display.


After checking the food located in the freezer compartment press the alarm off button to clear the warning.

Please refer to "remedies advised for troubleshooting" section on your manual if you observe that this indicator is illuminated.

5. Cooler compartment temperature setting

After pressing the button () , the cooler compartment temperature can be set to 8,7,6,5,4,3,2.. respectively.


6. Rapid cooling


For rapid cooling , press the button; this will activate the rapid cooling indicator () .

Press this button again to deactivate this function.


Use this function when placing fresh foods into the cooler compartment or to rapidly cool the food items. When this function is activated, the refrigerator will be engaged for 1 hour.

7. Vacation function

When the Vacation function () is active, the cooler compartment temperature indicator displays the inscription " - " and no cooling process will be active in the cooling compartment. This function is not suitable to keep food in the cooler compartment. Other compartments will remain cooled with the respective temperature set for each compartment.

Press the vacation function button again to cancel this function. ()

8. Keypad lock / Keypad lock / filter replacing alert cancellation

Press keypad lock button () to activate the keypad lock. You may also use this function to prevent changing the refrigerator's temperature settings. The refrigerator's filter must be

Using the product

replaced every 6 months. Press and hold the button (🌀) for 3 seconds to turn off the filter alert light.

9. Water, fragmented ice, ice cubes selection

Navigate the water (👉), ice cube (👉) and fragmented ice (👉) selections using the button number 8. The active indicator will remain lit.

10. Ice making on/off

Press the button (👉) to cancel (off —) or activate (on —) ice-making.

10.1 Display on/off

Press the button (— off) to cancel (XX) or activate (— on) display on/off.

10.2 Alarm off warning

In case of power failure/high temperature alarm, after checking the food located in the freezer compartment press the alarm off button to clear the warning.

12. Autoeco

Press the auto eco button (🌀), for 3 seconds to activate this function. If the door remains closed for a long time when this function is activated, the cooler section will switch to economic mode. Press the button again to deactivate this function. The indicator will light up after 6 hours when the auto eco function is active. (🌀)

13. Rapid freezing

For rapid freezing, press the button ; this will activate the rapid freezing indicator (🌀).

When the rapid freezing function is turned on, the rapid freeze indicator will light up and the freezer compartment temperature indicator will display the value -27. Press the Rapid freeze button (🌀) again to cancel this function. The Rapid freeze indicator will turn off and return to normal setting.

The rapid freezing function will be automatically cancelled after 24 hours, unless cancelled by the user. To freeze a large amount of fresh food, press the rapid freeze button 24 hours before placing the food in the freezer compartment.

14. Celcius/Fahrenheit Conversion

Temperature values can be converted between Celcius and Fahrenheit by pressing rapid freezing key (🌀) and rapid cooling key (🌀) 3 seconds.

EN

ES

SV

NO

FI

DA

PT

EL

6.3 Deodoriser Module

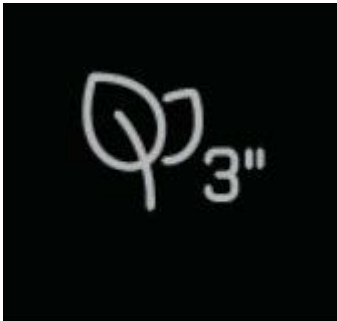
(OdourFresh +)

***May not be available in all models**

The deodoriser module quickly eliminates the bad smells in your refrigerator before they permeate the surfaces. Thanks to this module, which is placed on the ceiling of the fresh food compartment, the bad odours dissolve while the air is actively being passed on the odour filter, then the air that has been cleaned by the filter is re-emitted to the fresh food compartment. This way, the unwanted odours that may emerge during the storage of foods in the refrigerator are eliminated before they permeate the surfaces.

This is achieved thanks to the fan, LED and the odour filter integrated into the module.

When you want to use the deodorizer module, please activate it from the indicator button.



6.4 Humidity controlled crisper (FreSHelf)

(This feature is optional)

Thanks to the humidity controlled crisper, vegetables and fruits may be stored for a longer period at an environment with ideal humidity conditions. With the humidity setting system with 3 options in front of your crisper, you may control the humidity inside the compartment as per the food you store. We recommend you to store your food by selecting vegetable option when you store vegetables only, fruit option when you store fruit only and mixed option when you store mixed food.

We recommend that the vegetables and fruits shall not be stored in bags to improve the storage period of the food and to better benefit from the humidity control system. Leaving them in plastic bags causes vegetables to rot in a short time. We recommend that cucumbers and broccolis, in particular, are not stored in closed bags. In situations where contact with other vegetables is not preferred, use packaging materials such as paper that has a certain level of porosity in terms of hygiene.

When placing the vegetables, place heavy and hard vegetables at the bottom and light and soft ones on the top, taking into account the specific weights of vegetables.

Do not put fruits that have a high ethylene gas production such as pear, apricot, peach and particularly apple in the same crisper with other vegetables and fruits. The ethylene gas coming out of these fruits might cause other vegetables and fruits to mature faster and rot in a shorter period of time.

6.5 Blue light/VitaminCare Technology

***May not be available in all models**

For the blue light,

Fruits and vegetables stored in the crispers that are illuminated with a blue light continue their photosynthesis by means of the wavelength effect of blue light and thus preserve their vitamin content.

For VitaminCare+,

Fruits and vegetables stored in crispers illuminated with the VitaminCare technology preserve their vitamins for a longer time thanks to the blue, green, red lights and dark cycles, which simulate a day cycle.

If you open the door of the refrigerator during the dark period of the VitaminCare technology, the refrigerator will automatically detect this and enable the blue-green or red light to illuminate the crisper for your convenience. After you have closed the door of the refrigerator, the dark period will continue, representing the night time in a day cycle.

Using the product

6.6 Using the water fountain

(This feature is optional)

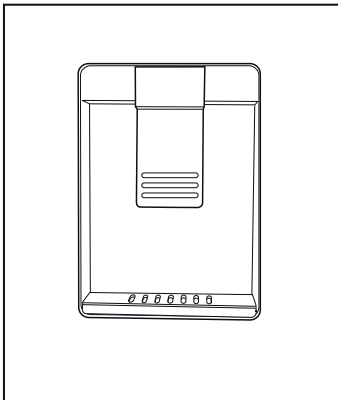


The first few glasses of water taken from the fountain will normally be warm.



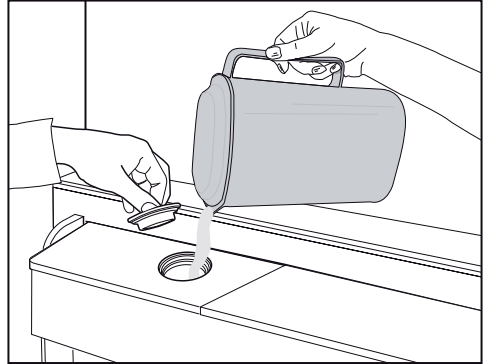
If the water fountain is not used for a long time, dispose of the first few glasses of water to get clean water.

- 1- Push the arm of the water fountain with your glass. It would be easier to push the arm with your hand if you are using a soft plastic glass.



The amount of water flow from the fountain depends on the pressure you apply on the arm. Release the pressure on the arm slightly as the water level in your glass/ container is increased to prevent overflow. Water shall drip if you press the arm slightly; this is normal and it is not a malfunction.

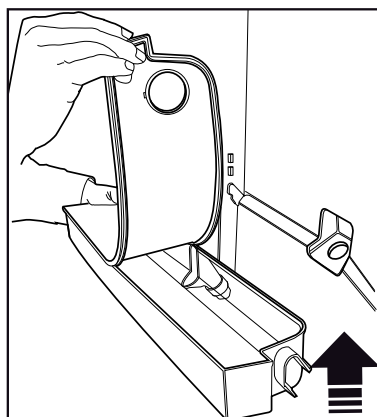
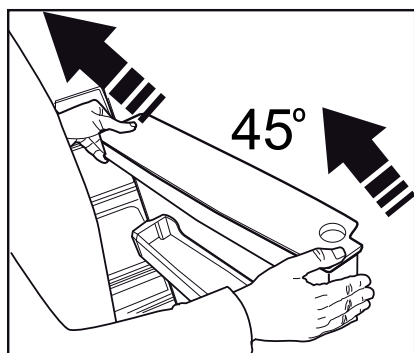
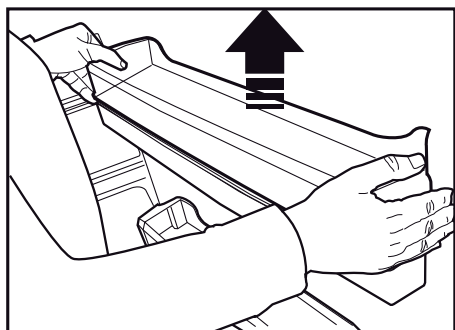
2. Release the arm after filling your glass with water as you desire.



6.7 Filling the water tank of the water fountain

Open the lid of the water tank as shown in the figure. Fill in pure and clean drinking water. Close the lid.

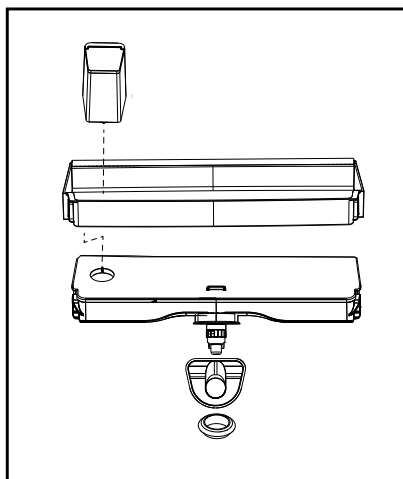
Using the product



6.8 Cleaning the water tank

Remove the water filling reservoir inside the door shelf.

Detach by holding both sides of the door shelf.



Hold both sides of the water tank and remove at 45° angle.

Remove and clean the water tank lid.



Do not fill the water tank with fruit juice, fizzy beverages, alcoholic beverages or any other liquids incompatible for use in the water fountain. Using such liquids will cause malfunction and irreparable damage in the water fountain. Using the fountain in this way is not within the scope of warranty. Such certain chemicals and additives in the beverages / liquids may cause material damage to the water tank.



The water tank and water fountain components cannot be washed with dishwashers.

EN

ES

SV

NO

FI

DA

PT

EL

Using the product



Components of the water tank and water dispenser should not be washed in dishwasher.

6.9 Dairy (cold storage) bin

***May not be available in all models**

“The dairy (cold storage) bin ” provides lower temperature within the refrigerator compartment. Use this bin to store delicatessen (salami, sausages, dairy products and etc.) that requires lower storage temperature or meat, chicken or fish products for immediate consumption. Do not store fruits and vegetables inside this bin.

6.10 Crisper

The refrigerator's vegetable bin is designed to keep crispers fresh by preserving humidity. For this purpose, the overall cold air circulation is intensified in the crisper bin. Keep fruits and vegetables in this compartment. Keep the green-leaved crispers and fruits separately to prolong their life.

6.11 Ionizer

(This feature is optional)

The ionizer system in the cooler compartment's air duct serves to ionize the air. The negative ion emissions will eliminate bacteria and other molecules causing odour in the air.

6.12 Odour filter

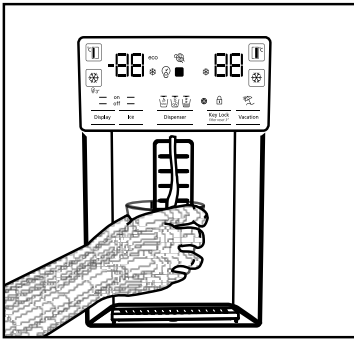
(This feature is optional)

The odour filter in the cooler compartment's air duct will prevent undesirable odour formation.

6.13 Taking ice / water

(Optional)

To take water (☺) / ice cube (☹) / fragmented ice (☹), use the display to select the respective option. Take water/ice by pushing the trigger on the water fountain forward. When switching between ice cube (☹) / fragmented ice (☹) options, the previous ice type may be discharged a few more times.



- You must wait approximately 12 hours before taking ice from the ice / water fountain for the first time. The fountain may not discharge ice if there is insufficient ice in the ice box.
- The 30 pieces of ice cubes (3-4 Litres) taken after first operating should not be used.
- In case of power blackout or temporary malfunction, the ice may partly melt and re-freeze. This will cause the ice pieces to merge with each other. In case of extended power blackouts or malfunction, the ice may melt and leak out. If you experience this problem, remove the ice in the ice box and clean the box.



WARNING: The product's water system should be connected to cold water line only. Do not connect to hot water line.

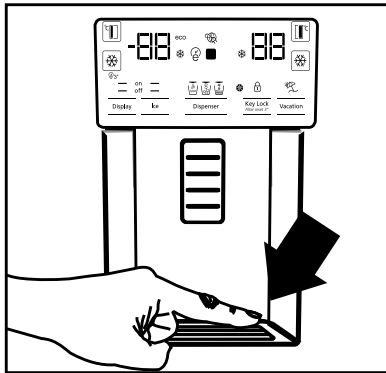
- The product may not discharge water during first operation. This is caused by the air in the system. The air in the system must be discharged. To do this, push the water fountain trigger for 1-2 minutes until the fountain discharges water. The initial water flow may be irregular. The water will flow normally once the air in the system is discharged.
- The water may be cloudy during first use of the filter; do not consume the first 10 glasses of water.
- You must wait approximately 12 hours to get cold water after first installation.
- The product's water system is designed for clean water only. Do not use any other beverages.
- It is recommended to disconnect the water supply if the product will not be used for long periods during vacation etc.
- If the water fountain is not used for a long time, the first 1-2 glasses of water received may be warm.

Using the product

6.14 Drip tray

(optional)

The water dripping from the water fountain accumulates on the drip tray; no water drainage is available. Pull the drip tray out or push on the edges to remove the tray. You may then discharge the water inside the drip tray.



6.15 Ice-maker

(Optional)

Ice maker is located on the upper section of the freezer cover. Hold the handles on the sides of the ice stock reservoir and move up to remove.

Remove the ice-maker decorative lid by moving up.

OPERATION

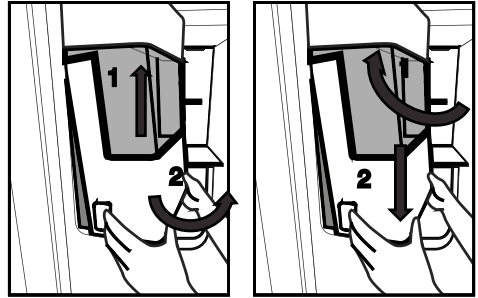
To remove the ice reservoir

Hold the ice stock reservoir from the handles, then move up and pull the ice stock reservoir.

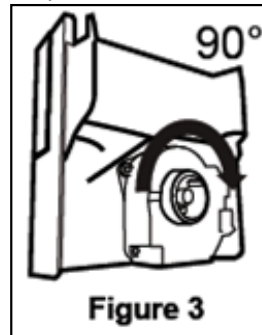
To reinstall the ice reservoir

Hold the ice stock reservoir from the handles, move up with an angle to fit the sides of the reservoir to their slot and make sure that the ice selector

pin is mounted properly. (Figure 2) Push downwards firmly, until there is no space left between the reservoir and the door plastic. (Figure 2)



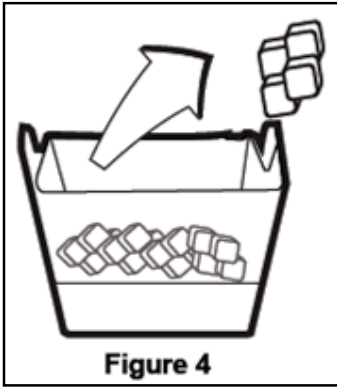
If you have difficulty in refitting the reservoir, turn the rotary gear 90° and reinstall it as shown in the figure 3. Any sound you hear when the ice drops into the reservoir is a part of normal operation.



When the ice dispenser does not work properly

If you do not remove ice cubes for a long time, they will cause formation of ice chunks. In this case, please remove the ice stock reservoir in accordance with the instructions given above, separate the ice chunks, discard the inseparable ice and put the ice cubes back into the ice stock reservoir. (Figure 4)

Using the product



When ice does not come out, check for any ice stuck in the canal and remove it. Regularly check the ice canal to clear the obstacles as shown in the figure 5.



When using your refrigerator for the first time or when not using it for an extended period of time ice cubes may be small due to air in the pipe after connection, any air will be purged during normal use.

Discard the ice produced for approximately one day since the water pipe may contain the contaminants.

Caution!

Do not insert the hand or any other object into the ice canal and blade since it may damage the parts or hurt the hand.

Do not let the children hang on the ice dispenser or the ice maker since it may cause an injury

To prevent dropping the ice stock reservoir use both hands when removing it.

If you close the door hard, it may cause water spilling over the ice stock reservoir.

Do not dismount the ice stock reservoir unless it is necessary.

If there is a lockout (ice does not come from the refrigerator) while taking broken ice, try to take cubed ice. Then it will be suitable for taking broken ice again.

While taking broken ice, cubed ice may come first. There is a case of coming cubed ice while taking broken ice.

Operating the product Freezer door on front of the ice machine can create a light snow and film layer.

This is normal, it is recommended to clean without waiting for a long time.

EN

ES

SV

NO

FI

DA

PT

EL

Using the product

The water is filled with water over time in the lower zone of the water dispenser. It is recommended to clean the water within this zone periodically.

While the ice falls from the ice storage reservoir, the sound is normal and does not indicate that the product is problematic.

The blade mechanism inside the ice bank is sharp and can cut your hand. If the ice dispenser does not provide ice, the ice may be stuck together, remove the tank and clean it again. Ice type cannot be changed on the display when the ice trigger is pressed to obtain ice. Release the trigger, change the ice type on the display and obtain ice again.

6.16 Freezing fresh food

- To preserve food quality, the food items placed in the freezer compartment must be frozen as quickly as possible, use the rapid freezing for this.
- To freeze a large amount of fresh food, press the rapid freeze button 24 hours before placing the food in the freezer compartment.
- Freezing the food items when fresh will extend the storage time in the freezer compartment.
- Pack the food items in air-tight packs and seal tightly.
- Make sure the food items are packed before putting in the freezer. Use freezer holders, tinfoil and damp-proof paper, plastic bag or similar packaging materials instead of traditional packaging paper.
- Mark each food pack by writing the date on the package before freezing. This will allow you to determine the freshness of each pack every time the freezer is opened. Keep the earlier food items in the front to ensure they are used first.
- Frozen food items must be used immediately after defrosting and should not be frozen again.
- Do not freeze large quantities of food at once.

Using the product

Freezer Compartment Setting	Cooler Compartment Setting	Descriptions
-18°C	4°C	This is the default, recommended setting.
-20,-22 or -24°C	4°C	These settings are recommended for ambient temperatures exceeding 30°C.
Rapid Freeze	4°C	Press Rapid Freeze function 24 hours before placing the food, the product will reset to previous settings when the process is completed.
-18°C or colder	2°C	Use these settings if you believe the cooler compartment is not cold enough due to ambient temperature or frequently opening the door.

6.17 Recommendations for storing frozen foods

The compartment must be set to at least -18°C.

1. Place the food items in the freezer as quickly as possible to avoid defrosting.
2. Before freezing, check the "Expiry Date" on the package to make sure it is not expired.
3. Make sure the food's packaging is not damaged.

6.18 Deep freezer details

As per the IEC 62552 standards, the freezer must have the capacity to freeze 4,5 kg of food items at -18°C or lower temperatures in 24 hours for each 100 litres of freezer compartment volume. Food items can only be preserved for extended periods at or below temperature of

-18°C . You can keep the foods fresh for months (in deep freezer at or below temperatures of 18°C).

The food items to be frozen must not contact the already-frozen food inside to avoid partial defrosting.

Boil the vegetables and filter the water to extend the frozen storage time. Place the food in air-tight packages after filtering and place in the freezer. Bananas, tomatoes, lettuce, celery, boiled eggs, potatoes and similar food items should not be frozen. Freezing these food items will simply reduce the nutritional value and food quality, as well as possible spoiling which is harmful to health.

Using the product

6.19 Placing the food

Freezer compartment shelves	Various frozen goods including meat, fish, ice cream, vegetables etc.
Cooler compartment shelves	Food items inside pots, capped plate and capped cases, eggs (in capped case)
Cooler compartment door shelves	Small and packed food or beverages
Vegetable bin	Fruits and vegetables
Fresh food compartment	Delicatessen (breakfast food, meat products to be consumed in short notice)

6.20 Door open alert

(This feature is optional)

An audible alert will be heard if the product's door remains open for 1,5 minute. The audible alert will stop when the door is closed or any button on the display (if available) is pressed.

6.21 Illumination lamp

Interior light uses a LED type lamp. Contact the authorized service for any problems with this lamp. Lamp(s) used in this appliance cannot be used for house lighting. Intended use of this lamp is to help the user place food into the refrigerator / freezer safely and comfortably.

EN

ES

SV

NO

FI

DA

PT

EL

7 Maintenance and cleaning



WARNING: Read the “Safety Instructions” section first!.



WARNING: Unplug the refrigerator before cleaning it.

- Do not use sharp or abrasive tools to clean the product. Do not use materials such as household cleaning agents, soap, detergents, gas, gasoline, alcohol, wax, etc.
- The dust shall be removed from the ventilation grill on the rear of the product at least once a year (without opening the cover). Cleaning shall be performed with a dry cloth.

For Products With Water Fountain / Ice Maker

- If the water in the water tank has waited for 2-3 weeks, it shall be replaced.
- The water tank and the components of the water fountain shall not be washed in dishwashers.
- Melt a teaspoonful of carbonate in the water. Moisten a piece of cloth in the water and wring out. Wipe the device with this cloth and dry off thoroughly.
- Take care to keep water away from the lamp's cover and other electrical parts.
- Clean the door with a damp cloth. Remove all contents to remove the door and body racks. Remove the door racks by lifting them upwards. Clean and dry the shelves, then attach back in place by sliding from above.
- Do not use chlorinated water or cleaning products on the exterior

surface and chrome-coated parts of the product. Chlorine will cause rust on such metallic surfaces.

- Do not use sharp and abrasive tools, soap, house cleaning materials, detergents, gas, gasoline, varnish and similar substances to prevent deformation of the plastic part and removal of prints on the part. Use warm water and a soft cloth for cleaning, and then dry it.
- On the products without a No-Frost feature, water droplets and icing up to a thickness of a finger may occur on the rear wall of the freezer compartment. Do not clean, and never apply oils or similar materials.
- Use a mildly dampened micro-fiber cloth to clean the external surface of the product. Sponges and other types of cleaning clothes may cause scratches.
- To clean all removable components during the cleaning of the interior surface of the product, wash these components with a mild solution consisting of soap, water and carbonate. Wash and dry thoroughly. Prevent contact of water with illumination components and the control panel.



CAUTION:

Do not use vinegar, rubbing alcohol or other alcohol based cleaning agents on any interior surface.

7.1 Stainless Steel External Surfaces

Use a non-abrasive stainless steel cleaning agent and apply it with a soft lint-free cloth. To polish, gently wipe

7 Maintenance and cleaning

the surface with a micro-fiber cloth dampened with water and use dry polishing chamois. Always follow the veins of the stainless steel.

7.2 Cleaning of the Products with Glass Doors

Remove the protective foil on the glasses.

There is a coating on the surface of the glasses. This coating minimizes formation of stains and provides easy cleaning of the stains and dirt that have been formed. Glass that is not protected by coating may be exposed to permanent bonding of organic or inorganic, air and water-based contaminants such as limestone, mineral salts, unburned hydrocarbons, metal oxides and silicones, which cause staining and physical damage easily in a short period of time. Keeping the glasses clean becomes very difficult, if not impossible, despite the fact they are cleaned regularly. As a result, the transparency and appearance of the glass deteriorates. Hard and abrasive cleaning methods and agents further increase these defects and accelerate the process of deterioration. For routine cleaning processes, *non-alkaline and non-corrosive water based cleaning products shall be used.

In order to have a longer service life of this coating, alkaline and corrosive substances shall not be used during cleaning.

A tempering process is applied to increase the resistance of these

glasses against impacts and breakage.

As an additional safety precaution, a safety film has been applied to the rear surface of these glasses to prevent harm to the environment in case it breaks.

7.3 Preventing Odours

The product is manufactured free of any odorous materials. However, keeping the food in inappropriate sections and improper cleaning of internal surfaces may lead to odours.

To avoid this, clean the inside with carbonated water every 15 days.

- Keep the foods in sealed holders. Microorganisms may spread out of unsealed food items and cause malodour.
- Do not keep expired and spoilt foods in the refrigerator.



Tea is one of the most effective odour removers. Place the pulp of the brewed tea in the product inside an open container and remove it after 12 hours at the latest. If you keep the tea pulp inside the product for longer than 12 hours, it will collect the organisms that cause the odour so it can be the source of odour itself.

7.4 Protecting Plastic Surfaces

Oil spilled on plastic surfaces may damage the surface and must be cleaned immediately with warm water.

8 Troubleshooting

Check this list before contacting the service. Doing so will save you time and money. This list includes frequent complaints that are not related to faulty workmanship or materials. Certain features mentioned herein may not apply to your product.

The refrigerator is not working.

- The power plug is not fully settled. >>> Plug it in to settle completely into the socket.
- The fuse connected to the socket powering the product or the main fuse is blown. >>> Check the fuse.

Condensation on the side wall of the cooler compartment (MULTI ZONE, COOL, CONTROL and FLEXI ZONE).

- The door is opened too frequently >>> Take care not to open the product's door too frequently.
- The environment is too humid. >>> Do not install the product in humid environments.
- Foods containing liquids are kept in unsealed holders. >>> Keep the foods containing liquids in sealed holders.
- The product's door is left open. >>> Do not keep the product's door open for long periods.
- The thermostat is set to a very cool temperature. >>> Set the thermostat to an appropriate temperature.

Compressor is not working.

- In case of sudden power failure or pulling the power plug off and putting back on, the gas pressure in the product's cooling system is not balanced, which triggers the compressor thermic safeguard. The product will restart after approximately 6 minutes. If the product does not restart after this period, contact the service.
- Defrosting is active. >>> This is normal for a fully-automatic defrosting product. The defrosting is carried out periodically.
- The product is not plugged in. >>> Make sure the power cord is plugged in.
- The temperature setting is incorrect. >>> Select the appropriate temperature setting.
- The power is out. >>> The product will continue to operate normally once the power is restored.

Troubleshooting

The refrigerator's operating noise is increasing while in use.

- The product's operating performance may vary depending on the ambient temperature variations. This is normal and not a malfunction.

The refrigerator runs too often or for too long.

- The new product may be larger than the previous one. Larger products will run for longer periods.
- The room temperature may be high. >>> The product will normally run for long periods in higher room temperature.
- The product may have been recently plugged in or a new food item is placed inside. >>> The product will take longer to reach the set temperature when recently plugged in or a new food item is placed inside. This is normal.
- Large quantities of hot food may have been recently placed into the product. >>> Do not place hot food into the product.
- The doors were opened frequently or kept open for long periods. >>> The warm air moving inside will cause the product to run longer. Do not open the doors too frequently.
- The freezer or cooler door may be ajar. >>> Check that the doors are fully closed.
- The product may be set to temperature too low. >>> Set the temperature to a higher degree and wait for the product to reach the adjusted temperature.
- The cooler or freezer door washer may be dirty, worn out, broken or not properly settled. >>> Clean or replace the gasket. Damaged / torn door washer will cause the product to run for longer periods to preserve the current temperature.

EN

ES

SV

NO

FI

DA

PT

EL

Troubleshooting

The freezer temperature is very low, but the cooler temperature is adequate.

- The freezer compartment temperature is set to a very low degree. >>> Set the freezer compartment temperature to a higher degree and check again.

The cooler temperature is very low, but the freezer temperature is adequate.

- The cooler compartment temperature is set to a very low degree. >>> Set the freezer compartment temperature to a higher degree and check again.

The food items kept in cooler compartment drawers are frozen.

- The cooler compartment temperature is set to a very low degree. >>> Set the freezer compartment temperature to a higher degree and check again.

The temperature in the cooler or the freezer is too high.

- The cooler compartment temperature is set to a very high degree. >>> Temperature setting of the cooler compartment has an effect on the temperature in the freezer compartment. Wait until the temperature of relevant parts reach the sufficient level by changing the temperature of cooler or freezer compartments.
- The doors were opened frequently or kept open for long periods. >>> Do not open the doors too frequently.
- The door may be ajar. >>> Fully close the door.
- The product may have been recently plugged in or a new food item is placed inside. >>> This is normal. The product will take longer to reach the set temperature when recently plugged in or a new food item is placed inside.
- Large quantities of hot food may have been recently placed into the product. >>> Do not place hot food into the product.

Shaking or noise.

- The ground is not level or durable. >>> If the product is shaking when moved slowly, adjust the stands to balance the product. Also make sure the ground is sufficiently durable to bear the product.
- Any items placed on the product may cause noise. >>> Remove any items placed on the product.

The product is making noise of liquid flowing, spraying etc.

Troubleshooting

- The product's operating principles involve liquid and gas flows. >>> This is normal and not a malfunction.

There is sound of wind blowing coming from the product.

- The product uses a fan for the cooling process. This is normal and not a malfunction.

There is condensation on the product's internal walls.

- Hot or humid weather will increase icing and condensation. This is normal and not a malfunction.
- The doors were opened frequently or kept open for long periods. >>> Do not open the doors too frequently; if open, close the door.
- The door may be ajar. >>> Fully close the door.

There is condensation on the product's exterior or between the doors.

- The ambient weather may be humid, this is quite normal in humid weather. >>> The condensation will dissipate when the humidity is reduced.

The interior smells bad.

- The product is not cleaned regularly. >>> Clean the interior regularly using sponge, warm water and carbonated water.
- Certain holders and packaging materials may cause odour. >>> Use holders and packaging materials without free of odour.
- The foods were placed in unsealed holders. >>> Keep the foods in sealed holders. Micro-organisms may spread out of unsealed food items and cause malodour.
- Remove any expired or spoilt foods from the product..

The door is not closing.

- Food packages may be blocking the door. >>> Relocate any items blocking the doors.
- The product is not standing in full upright position on the ground. >>> Adjust the stands to balance the product.
- The ground is not level or durable. >>> Make sure the ground is level and sufficiently durable to bear the product.

The crisper is jammed.

- The food items may be in contact with the upper section of the drawer. >>> Reorganize the food items in the drawer.

In case of a Hot Surface on the Product,

- High temperature may be observed between two doors, on the side panels and on the rear grill area while your product is operated. This is normal and it does not require servicing!

Fan continues to operate when the door is opened.

Troubleshooting

- Fan may continue to operate when the the freezer door is open.



WARNING: If the problem persists after following the instructions in this section, contact your vendor or an Authorized Service. Do not try to repair the product.

DISCLAIMER / WARNING

Some (simple) failures can be adequately handled by the end-user without any safety issue or unsafe use arising, provided that they are carried out within the limits and in accordance with the following instructions (see the "Self-Repair" section).

Therefore, unless otherwise authorized in the "Self-Repair" section below, repairs shall be addressed to registered professional repairers in order to avoid safety issues. A registered professional repairer is a professional repairer that has been granted access to the instructions and spare parts list of this product by the manufacturer according to the methods described in legislative acts pursuant to Directive 2009/125/EC.

However, only the service agent (i.e. authorized professional repairers) that you can reach through the phone number given in the user manual/warranty card or through your authorized dealer may provide service under the guarantee terms. Therefore, please be advised that repairs by professional repairers (who are not authorized by Grundig) shall void the guarantee.

Self-Repair

Self-repair can be done by the end-user with regard to the following spare parts: door handles, door hinges, trays, baskets and door gaskets (an updated list is also available in support.grundig.com as of 1st March 2021).

Moreover, to ensure product safety and to prevent risk of serious injury, the mentioned self-repair shall be done following the instructions in the user manual for self-repair or which are available in support.grundig.com. For your safety, unplug the product before attempting any self-repair.

Repair and repair attempts by end-users for parts not included in such list and/or not following the instructions in the user manuals for self-repair or which are available in support.grundig.com, might give rise to safety issues not attributable to Grundig, and will void the warranty of the product.

Therefore, it is highly recommended that end-users refrain from the attempt to carry out repairs falling outside the mentioned list of spare parts, contacting in such cases authorized professional repairers or registered professional repairers. On the contrary, such attempts by end-users may cause safety issues and damage the product and subsequently cause fire, flood, electrocution and serious personal injury to occur.

By way of example, but not limited to, the following repairs must be addressed to authorized professional repairers or registered professional repairers: compressor, cooling circuit, main board, inverter board, display board, etc.

The manufacturer/seller cannot be held liable in any case where end-users do not comply with the above.

The spare part availability of the refrigerator that you purchased is 10 years.

During this period, original spare parts will be available to operate the refrigerator properly

The minimum duration of guarantee of the refrigerator that you purchased is 24 months.

This product is equipped with a lighting source of the "G" energy class.

The lighting source in this product shall only be replaced by professional repairers.

Estimado cliente,

Nos gustaría que usted pueda lograr la eficiencia óptima de nuestro aparato, que ha sido fabricado en instalaciones modernas, con meticulosos controles de calidad.

Para ello, por favor, lea completamente el manual de instrucciones antes de usar el aparato y guarde la guía como una fuente de referencia. Si pasa el aparato a otra persona, deberá proporcionar esta guía junto con el aparato.





La guía del usuario asegura el uso rápido y seguro del aparato.



- Por favor, lea el manual del usuario antes de instalar y utilizar el aparato.
- Siempre respete las instrucciones de seguridad aplicables.
- Mantenga la guía del usuario a la mano para su uso futuro.
- Por favor, lea todos los demás documentos suministrados con el aparato.

Tenga en cuenta que esta guía del usuario se puede aplicar a varios modelos de aparato. La guía indica claramente las posibles variaciones de los diferentes modelos.










Símbolos y Observaciones

Los siguientes símbolos se utilizan en la guía del usuario:

	Información importante y consejos útiles.
	Riesgos para la vida y la propiedad.
	Riesgo de descarga eléctrica.
	El embalaje del aparato está hecho con materiales reciclables, de acuerdo con la Legislación Ambiental Nacional.

	INFORMATION
	<p>.La información del modelo, tal como está almacenada en la base de datos de productos, puede ser consultada en la página web siguiente introduciendo el identificador del modelo (*) que se encuentra en la etiqueta de clasificación energética.</p> <p>https://eprel.ec.europa.eu/</p>

1-Instrucciones de seguridad 3

-  1.1 Uso previsto.....3
-  1.2 - Seguridad para niños, personas vulnerables y mascotas3
-  1.3 - Seguridad eléctrica4
-  1.4 - Seguridad en el transporte.....4
-  1.5 - Seguridad en la instalación5
-  1.6- Seguridad durante el funcionamiento.....6
-  1.7- Seguridad en la limpieza y el mantenimiento8
-  1.8- HomeWhiz.....8
-  1.9- Iluminación.....8

2 Condiciones medio ambientales 9

- 2.1 En cumplimiento de la Directiva WEEE, y la eliminación del aparato: .9
- 2.2 Cumplimiento de la Directiva RoHS.....9
- 2.3 Información sobre el paquete.....9

3 Su frigorífico 10

4 Instalación 11

- 4.1 Ubicación correcta para instalación11
- 4.2 Fijación de las cuñas de plástico.....11
- 4.3 Ajuste de los pies.....12
- 4.4 Conexión eléctrica.....13
- 4.5 Conexión de agua14
- 4.6 Conexión de la manguera de agua al aparato.....15
- 4.7 Conexión a la toma de agua.....15
- 4.8. Para los aparatos que usan garrafa de agua16
- 4.9 Filtro de agua.....17
 - 4.9.1.Fijación de un filtro externo en la pared (opcional).....17
 - 4.9.2.Filtro interno.....19

5 Preparación 21

- 5.1 Qué hacer para ahorrar energía21

5 Preparation 22

- 5.2 Primera operación22

6 Operación del Producto 23

- 6.1 Apagado del producto23

6 Operación de Producto 24

- 6.2 Panel indicador.....24
- 6.3 Módulo desodorante.....27
- 6.4 Cajón de verduras con control de humedad (FreSHelf+)28
- 6.5 Blue light/Tecnología Vitamin Care28
- 6.6 Uso de la fuente de agua29
- 6.7 Llenar el depósito de agua de la fuente de agua.....29
- 6.8 Limpieza del depósito de agua ..29
- 6.9 El contenedor de productos lácteos (almacenamiento frío).....31
- 6.10 Cajón para verduras31
- 6.11 Ionizador31
- 6.12 Filtro de olores31
- 6.13 Icematic y caja de almacenamiento de hielo31
- 6.14 Tomar hielo / agua (Opcional) ..32
- 6.15 Bandeja de goteo33
- 6.16 Máquina de hielo (Opcional).....33
- 6.17 Congelación de alimentos frescos36
- 6.18 Recomendaciones para el almacenamiento de los alimentos congelados37
- 6.19 Detalles del congelador37
- 6.20 Colocación de los alimentos38
- 6.21 Alerta de puerta abierta38
- 6.22 Lámpara de Iluminación38

7 Mantenimiento y limpieza 39

7 Mantenimiento y limpieza 40


- 7.1 Superficies Exteriores de Acero Inoxidable.....40
- 7.2 Limpieza de Productos con Puertas de Vidrio40
- 7.3 Prevención de Olores.....40
- 7.4 Protección de Superficies de Plástico41


7 Mantenimiento y limpieza 41


8 Solución de problemas 42


1-Instrucciones de seguridad

- Esta sección contiene instrucciones de seguridad que ayudarán a protegerse contra los riesgos de lesiones personales o daños a la propiedad.
- Nuestra empresa no se hará responsable de ningún daño que pudiera derivarse del incumplimiento de estas instrucciones.

 Los procedimientos de instalación y reparación los deberá realizar siempre el fabricante, el servicio técnico autorizado o la persona autorizada que indique el importador.

 Utilizar únicamente piezas y accesorios originales.

 No reparar ni sustituir ninguna pieza del aparato, salvo que así lo indique expresamente el manual de usuario.

 No realizar ninguna modificación técnica en el aparato.

1.1 Uso previsto

- Este aparato no es apto para su uso comercial, por lo que no debe utilizarse para fines distintos de los previstos.

Este aparato está diseñado para utilizarse en viviendas y espacios interiores.

Por ejemplo:

- Áreas de cocina para el personal en tiendas, oficinas y otros entornos de trabajo;
 - Granjas,
 - Áreas utilizadas por los clientes en hoteles, moteles y otros tipos de alojamiento,
 - Hoteles tipo Bed&Breakfast, pensiones,
 - Aplicaciones de hostelería y actividades no comerciales similares.
- Este aparato no se debe utilizar al aire libre, ya sea con o sin carpa o toldo encima, como en barcos, balcones o terrazas. No exponer el aparato a la lluvia, la nieve, el sol o el viento. Hay peligro de incendio.

1.2 - Seguridad para niños, personas vulnerables y mascotas

- Los niños de 8 años o más y las personas con capacidades físicas, sensoriales o mentales limitadas o que carecen de experiencia y conocimientos, podrán utilizar este aparato siempre que se les vigile o se les enseñe a utilizarlo de manera segura, así como los riesgos que conlleva.
- Los niños de entre 3 y 8 años podrán introducir y sacar productos refrigerados.
- Los artículos eléctricos son peligrosos para los niños y las mascotas. Los niños y las mascotas no deberán jugar, subirse a, ni meterse dentro del aparato.
- Los niños no deberán realizar la limpieza ni el mantenimiento, salvo que estén vigilados por alguien.

Instrucciones de seguridad

- Mantener el embalaje lejos del alcance de los niños. Hay riesgo de lesiones o de ahogamiento.
 - Antes de deshacerse de cualquier aparato viejo u obsoleto:
 - Desenchufarlo de la toma de corriente, cogiendo el cable por la clavija del enchufe.
 - Cortar el cable de corriente y quitarlo del aparato junto con su clavija de enchufe
 - No quitar los estantes ni los cajones, así será más difícil que los niños entren dentro.
 - Quitar las puertas.
 - Guardarlo de forma que no vuelque.
 - No permitir que los niños jueguen con el aparato viejo.
 - En ningún caso se deberá arrojar al fuego para su desecho. Hay riesgo de explosión.
 - En caso de que el aparato tenga cerradura, deberá mantenerse la llave fuera del alcance de los niños.
- colocar objetos pesados sobre el cable de corriente. El cable no debe estar excesivamente doblado, pellizcado ni entrar en contacto con ninguna fuente de calor.
- No utilizar alargadores, enchufes múltiples ni adaptadores para hacer funcionar el aparato.
 - Los mismos podrían sobrecalentarse y provocar un incendio. Por tanto, no guardar ningún dispositivo de este tipo ni detrás ni cerca del aparato.
 - El enchufe debe estar fácilmente accesible. Si esto no es posible, la instalación eléctrica a la que se conecta el producto debe contener un dispositivo (como un fusible, un interruptor, un disyuntor, etc.) que se ajuste a la normativa eléctrica y que desconecte todos los polos de la red.
 - No tocar el cable con las manos mojadas.
 - Retire el enchufe de la toma de corriente agarrándolo por la clavija y no por el cable.

1.3 - Seguridad eléctrica

- Durante la instalación, el mantenimiento, la limpieza, la reparación y la mudanza, el aparato deberá estar desenchufado.
- En caso de que el cable de corriente esté dañado, éste lo deberá sustituir una persona autorizada expresamente por el fabricante, el servicio técnico autorizado o el importador, a fin de evitar posibles peligros.
- No apretar el cable de corriente ni por debajo ni por detrás del aparato. No

1.4 - Seguridad en el transporte

- El artículo es pesado, no lo mueva solo.
- Al moverlo, hay que evitar sujetarlo por la puerta.
- Durante el transporte, cuidado con no dañar el sistema de refrigeración ni las tuberías. Durante el transporte, cuidado con no dañar el sistema de refrigeración ni las tuberías. Si éstas presentasen cualquier tipo de daño, no utilizar el aparato y llamar al servicio técnico autorizado.

Instrucciones de seguridad

1.5 - Seguridad en la instalación

- Llamar al servicio técnico autorizado para la instalación del aparato. Para que el aparato esté listo para su uso, comprobar la información del manual de instrucciones para asegurarse de que las instalaciones de electricidad y agua son las adecuadas. En caso contrario, llamar a un electricista y a un fontanero especializados a fin de que realicen los arreglos necesarios. De otro modo, existe el riesgo de descargas eléctricas, incendios, problemas con el aparato o lesiones.
- Comprobar que el aparato no tenga ningún defecto antes de su instalación. En caso de que así sea, no debe instalarse.
- Colocar el aparato sobre una superficie limpia, plana y sólida y equilibrarlo con las patas ajustables. De lo contrario, el aparato podría volcarse y causar lesiones.
- El lugar de instalación debe ser seco y bien ventilado. No colocar debajo del aparato ninguna alfombra, tapete ni cubierta similar. Una ventilación deficiente supone riesgo de incendio.
- No tapar ni bloquear las rejillas de ventilación. De lo contrario, el consumo eléctrico aumenta y el aparato podría averiarse.
- No se debe conectar el aparato a sistemas de suministro eléctrico como el de la energía solar. De lo contrario, se podría averiar a causa de los cambios repentinos de voltaje.
- Cuanto mayor sea el volumen de refrigerante de un frigorífico, mayor

debe ser el lugar de instalación. Si el lugar de instalación es demasiado pequeño, el refrigerante inflamable y la mezcla de aire se acumularán en caso de fuga de refrigerante en el sistema de refrigeración. El espacio mínimo necesario para cada 8 gr de refrigerante es de 1 m³. En la etiqueta de tipo se indica la cantidad de refrigerante del aparato.

- No se debe instalar el aparato en lugares expuestos a la luz solar directa, debiendo mantenerlo alejado de fuentes de calor como quemadores, radiadores, etc.

Si es inevitable instalar el producto cerca de una fuente de calor, se debe utilizar una placa aislante adecuada entre ellas y se deben mantener las siguientes distancias mínimas a la fuente de calor:

- A un mínimo de 30 cm de distancia de fuentes de calor como hornos, calentadores o estufas,
- A un mínimo de 5 cm de distancia de los hornos eléctricos.
- La clase de protección del aparato es el Tipo I. Enchúfelo en un zócalo con toma a tierra que se ajuste a los valores de voltaje, corriente y frecuencia indicados en la etiqueta de tipo del aparato. El enchufe debe estar equipado con un disyuntor de 10 A - 16 A. Nuestra empresa no será responsable de los daños que se produzcan cuando el producto se utilice sin toma a tierra y sin conexión eléctrica, de acuerdo con la normativa local y nacional.
- El aparato no debe estar enchufado durante la instalación. De otra forma, existe el riesgo de una descarga eléctrica y lesiones.

Instrucciones de seguridad

- No enchufar el aparato en tomas que estén sueltas, descolocadas, rotas, sucias o grasientas, o que supongan un riesgo de entrar en contacto con el agua.
- Canalizar el cable de corriente y las mangueras del aparato (si las hubiera), de forma que no supongan un riesgo de tropiezo.
- La exposición de las partes con corriente o del cable de corriente a la humedad puede causar un cortocircuito. Por lo tanto, no instalar el aparato en lugares como garajes o lavanderías donde la humedad sea alta o el agua pueda salpicar. Si el frigorífico se moja con agua, desenchúfelo y llame al servicio técnico autorizado.
- No conectar nunca el frigorífico a ningún dispositivo de ahorro de energía. Estos podrían ser dañinos para el mismo.
- refrigerante que puede salir cuando se perforan las tuberías, las extensiones de éstas o los revestimientos de la superficie, causa irritaciones en la piel y lesiones en los ojos.
- No colocar ni utilizar dispositivos eléctricos en el interior de la nevera ni del congelador, salvo que lo recomiende el fabricante.
- Procurar no atrapar las manos ni ninguna otra parte del cuerpo en las partes móviles del interior del frigorífico. Cuidado con no estrujarse los dedos entre la puerta y el frigorífico. Cuidado al abrir y cerrar la puerta, sobre todo si hay niños alrededor.
- No comer nunca helado, cubitos de hielo o comida congelada justo después de sacarlos de la nevera. Existe el riesgo de quemaduras por congelación.
- Si las manos están mojadas, no tocar las paredes interiores ni las piezas metálicas del congelador ni los alimentos almacenados en él. Existe el riesgo de quemaduras por congelación.

1.6- Seguridad durante el funcionamiento

- No utilizar nunca disolventes químicos en el aparato. Hay riesgo de explosión.
- Si el aparato no funciona bien, desenchúfelo y no lo utilice hasta que sea reparado por el servicio técnico autorizado. Existe un riesgo de descarga eléctrica.
- No poner sobre el aparato, ni cerca del mismo, ninguna fuente de llama, como velas encendidas o cigarrillos, entre otras cosas.
- No subir encima del aparato. Existe el riesgo de caerse y lesionarse.
- No dañar las tuberías de refrigeración con objetos afilados ni punzantes. El
- No meter en el congelador latas ni botellas que contengan bebidas gaseosas o líquidos congelables. Podrían explotar. Hay riesgo de lesiones o de daños materiales.
- No colocar cerca del frigorífico ni utilizar aerosoles inflamables, materiales inflamables, hielo seco, sustancias químicas o materiales similares sensibles al calor. Hay riesgo de explosión o de incendios.
- No guardar en el aparato ningún material explosivo que contenga materiales inflamables, como latas de aerosol.

Instrucciones de seguridad

- No colocar recipientes llenos de líquido sobre el aparato. Salpicar agua en una pieza eléctrica puede causar una descarga eléctrica o el riesgo de incendio.
 - Este aparato no está diseñado para almacenar medicamentos, plasma sanguíneo, preparados de laboratorio ni otras sustancias y productos médicos similares sujetos a la Directiva sobre productos médicos.
 - Un uso del aparato diferente al previsto puede hacer que los productos almacenados en su interior se deterioren o se echen a perder.
 - Si el frigorífico está equipado con luz azul, no la mire con instrumentos ópticos. No mirar directamente a la luz LED UV durante mucho tiempo. La misma podría causar fatiga ocular.
 - Evitar sobrecargar el frigorífico. El contenido del frigorífico puede caer al abrir la puerta, causando lesiones o daños. Pueden surgir problemas similares si se coloca algún objeto sobre el producto.
 - Para evitar lesiones, asegurarse de haber limpiado todo el hielo y el agua que pueda haber caído o salpicado en el suelo.
 - Cambiar la posición de los estantes y portabotellas en la puerta del frigorífico sólo cuando estén vacíos. Existe el riesgo de lesiones.
 - No colocar objetos que puedan caerse o volcarse sobre el aparato. Éstos podrían caerse al abrir la puerta y causar lesiones y/o daños materiales.
 - No golpear ni ejercer una fuerza excesiva sobre las superficies de vidrio.
- Los cristales rotos pueden causar lesiones y/o daños materiales.
- El sistema de refrigeración del aparato contiene refrigerante R600a: En la etiqueta de tipo se indica el tipo de refrigerante del aparato. El refrigerante es inflamable. Por tanto, cuidado con no dañar el sistema de refrigeración ni las tuberías con el aparato funcionando. Si las tuberías están dañadas:
 - No tocar el aparato ni el cable de corriente,
 - Mantener alejadas las posibles fuentes de fuego que puedan hacer que el aparato se incendie.
 - Ventilar la zona donde se encuentre el aparato. No usar ventiladores.
 - Llamar al servicio técnico autorizado.
 - Si el aparato está estropeado y ve una fuga de refrigerante, por favor, aléjese del refrigerante. Podría causar quemaduras por contacto con la piel.

Instrucciones de seguridad

Para artículos con dispensadores de agua o máquinas de hielo

- Utilizar únicamente agua potable. No llenar el depósito de agua con ningún líquido, como zumo de fruta, leche, bebidas gaseosas o alcohólicas, que no sean aptos para su uso en el dispensador de agua.
- Hay riesgos para la salud y la seguridad.
- Para evitar accidentes o lesiones, impedir que los niños jueguen con el dispensador de agua o la máquina de hielo (Icematic).
- No meter los dedos ni ninguna otra cosa en el orificio del dispensador de agua, en el canal de agua ni en el contenedor de la máquina de hielo. Hay riesgo de lesiones o de daños materiales.

1.7- Seguridad en la limpieza y el mantenimiento

- No tirar del mango de la puerta si necesita mover el aparato para limpiarlo. Este se podría romper y causar lesiones al ejercer fuerza excesiva sobre el mismo.
- No rociar ni verter agua sobre ni dentro del aparato para su limpieza. Existe el riesgo de incendios y de electrocución.
- No utilizar herramientas afiladas ni abrasivas para limpiar el aparato. No utilizar ningún limpiador, detergente, gasolina, diluyente, alcohol, barniz, ni ningún otro producto de limpieza similar.

- Utilizar únicamente productos de limpieza y mantenimiento en el interior del producto que no sean perjudiciales para los alimentos.
- No utilizar nunca vapor ni limpiadores a vapor para limpiar o descongelar el aparato. El vapor entra en contacto con las partes en tensión del frigorífico, provocando un cortocircuito o una descarga eléctrica.
- Asegurarse de que no entre agua en los circuitos electrónicos ni en los elementos de iluminación del aparato.
- Utilizar un paño limpio y seco para limpiar los materiales extraños o el polvo de las clavijas del enchufe. No utilizar ningún paño húmedo ni mojado para limpiar el enchufe. Existe el riesgo de incendios y de electrocución.

1.8- HomeWhiz

- Al utilizar el aparato a través de la aplicación HomeWhiz, se deben respetar las advertencias de seguridad, incluso cuando se esté lejos del aparato. También deberá respetar las advertencias en la aplicación.

1.9- Iluminación

- Cuando sea necesario cambiar el LED/la bombilla utilizada para la iluminación, llamar al servicio técnico autorizado.

2 Condiciones medio ambientales

2.1 En cumplimiento de la Directiva WEEE, y la eliminación del aparato:

Este aparato cumple con la Directiva WEEE (RAEE) de la UE (2012/19/EU). Este producto lleva un símbolo de la clasificación de los equipos eléctricos y electrónicos WEEE (RAEE).



Este símbolo indica que este producto no se desechará con otros residuos domésticos al final de su vida útil. El aparato usado debe ser entregado en el punto de recogida oficial para el reciclaje de aparatos eléctricos y electrónicos.

Para encontrar estos puntos de limpieza, por favor, póngase en contacto con las autoridades locales o con la tienda en la que compró el producto. Cada hogar desempeña un papel importante en la recuperación y el reciclaje de los aparatos viejos. La eliminación apropiada de los aparatos usados ayuda a prevenir posibles consecuencias negativas en el medio ambiente y la salud humana.

2.2 Cumplimiento de la Directiva RoHS

El producto que ha adquirido cumple con la Directiva de UE RoHS (2011/65/UE). No contiene materiales nocivos ni prohibidos especificados en la Directiva.

2.3 Información sobre el paquete



Los materiales de embalaje del aparato son fabricados a partir de materiales reciclables, de acuerdo con nuestra Reglamentación Nacional para el Medio Ambiente.

No se deshaga de los materiales de embalaje junto con los desechos domésticos o de otro tipo. Llévelos a los puntos de recolección de material de embalaje designados por las autoridades locales.

EN

ES

SV

NO

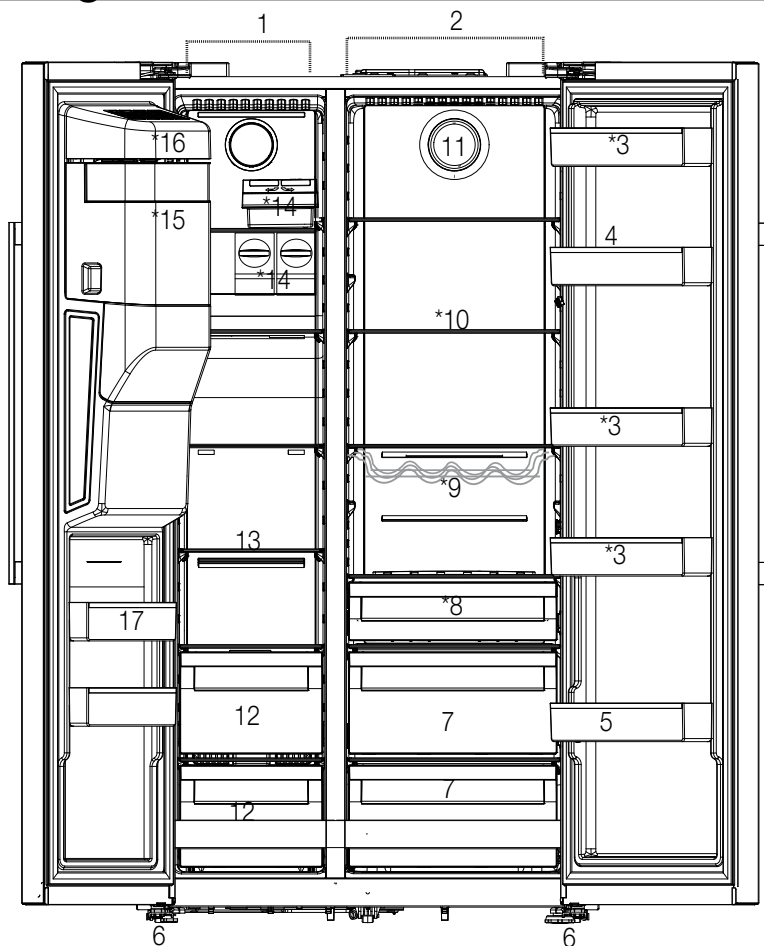
FI

DA

PT

EL

3 Su frigorífico



- | | |
|--|---|
| <ol style="list-style-type: none"> 1. Compartimento del congelador 2. Compartimento refrigerador 3. Puertas los estantes del compartimento refrigerador 4. Porta Huevos 5. Estante de Botella 6. Soportes ajustables 7. Cajón de verduras 8. El contenedor de productos lácteos (almacenamiento frío) 9. Estante de Botella 10. Estantes de vidrio | <ol style="list-style-type: none"> 11. Ventilador 12. Compartimentos de almacenamiento para alimentos congelados 13. Estantes de cristal del compartimento frigorífico 14. Icematic 15. Depósito de hielo 16. Tapa decorativa de la hielera 17. Puertas de los estantes del congelador |
|--|---|

Puede no estar disponible en todos los modelos

i *Opcional: Las imágenes en esta guía del usuario son esquemáticas y es posible que no sean exactamente iguales que su aparato. Si el aparato no contiene las partes pertinentes, entonces la información pertenece a otros modelos.

4 Instalación

4.1 Ubicación correcta para instalación



¡Primero lea la sección de "Instrucciones de Seguridad"!

Su producto requiere una circulación de aire adecuada para funcionar eficientemente. Si el producto va a ser colocado en un hueco, recuerde dejar al menos 5 cm de espacio entre el producto y el techo, la pared trasera y las paredes laterales.

Si el producto va a ser colocado en un hueco, recuerde dejar al menos 5 cm de espacio entre el producto y el techo, la pared trasera y las paredes laterales. Compruebe si el componente de protección de la parte trasera se encuentra colocado en su lugar (en caso de ser suministrado con el producto). Si el componente no está disponible, o si se pierde o se cae, coloque el producto de manera que quede un espacio libre, de al menos 5 cm, entre la superficie trasera del producto y la pared de la habitación. El espacio libre en la parte trasera es importante para el funcionamiento eficiente del producto.



ADVERTENCIA: No utilice alargadores de cables ni enchufes múltiples, en la conexión de alimentación.



ADVERTENCIA: El fabricante no asume ninguna responsabilidad por cualquier daño causado por el trabajo llevado a cabo por personas no autorizadas.



ADVERTENCIA: El cable de alimentación del aparato debe ser desenchufado durante la instalación. ¡El no hacerlo puede resultar en la muerte o lesiones graves!



ADVERTENCIA: Si el espacio de la puerta es demasiado estrecho para que el aparato pase, quite la puerta y gire el aparato hacia los lados, y si esto no funciona, póngase en contacto con el servicio técnico autorizado.

- Coloque el aparato sobre una superficie plana para evitar vibraciones.
- Coloque el aparato al menos a 30 cm de distancia del calentador, estufa o fuentes de calor y por lo menos a 5 cm de distancia de hornos eléctricos.
- No exponga el aparato a la luz solar directa ni lo mantenga en ambientes mojados.
- El aparato requiere la circulación de aire adecuada para funcionar de manera eficiente. Si el aparato será colocado en una alcoba, recuerde que debe dejar al menos 5 cm de distancia entre el aparato, el techo y las paredes.

4.2 Fijación de las cuñas de plástico

Utilice las cuñas de plástico que acompañan al aparato para proporcionar espacio suficiente para la circulación del aire entre el aparato y la pared.

EN

ES

SV

NO

FI

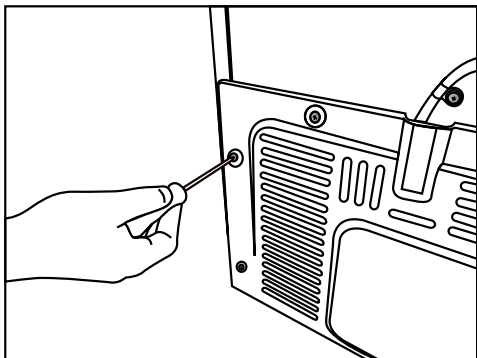
DA

PT

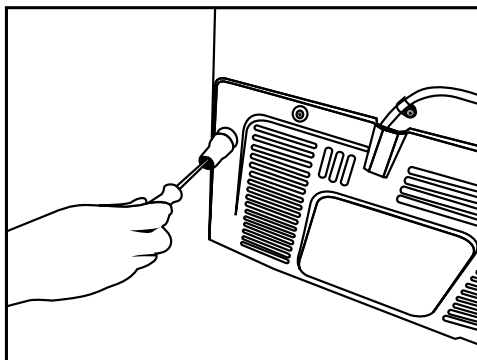
EL

Instalación

- 1- Para colocar las cuñas, quite los tornillos en el aparato y utilice los tornillos provistos con las cuñas.

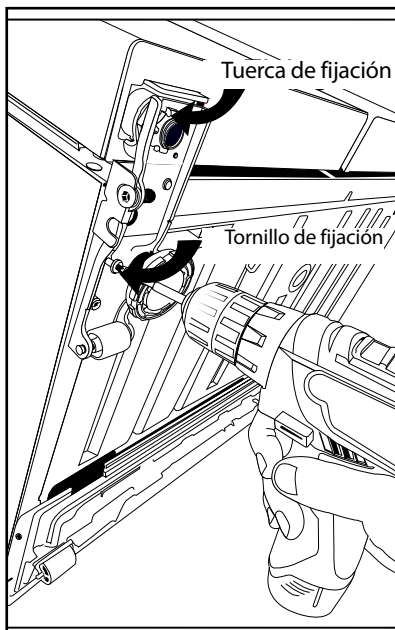
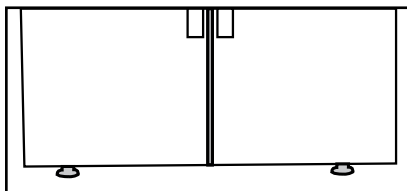


- 2- Coloque 2 cuñas de plástico sobre la cubierta de la ventilación como se muestra en la figura.



4.3 Ajuste de los pies

Si el aparato no se encuentra en situación de equilibrio, ajuste los soportes delanteros ajustables por la derecha o hacia la izquierda girando.



Instalación

A fin de ajustar las puertas verticalmente,

- Afloje la tuerca de fijación situada en la parte inferior.
- Atornille la tuerca de ajuste (CW/CCW) según la posición de la puerta
- Apriete la tuerca de fijación para la posición final

A fin de ajustar las puertas horizontalmente,

- Afloje el tornillo de fijación situada en la parte inferior
- Afloje el perno de fijación de la parte superior
- Atornille el perno de ajuste (CW/CCW) del lado según la posición de la puerta
- Apriete el perno de fijación de parte superior para la posición final
- Apriete el tornillo de fijación situada en la parte inferior

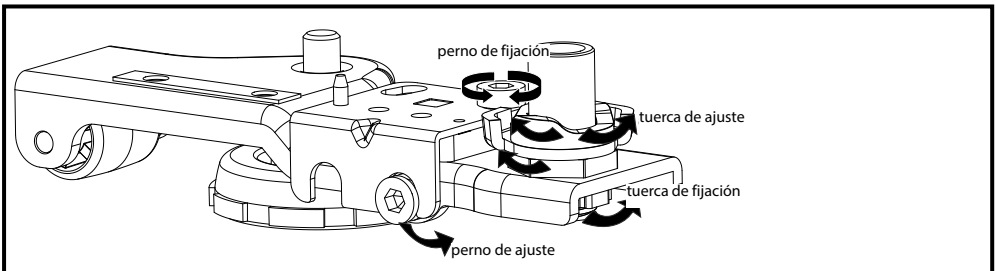
4.4 Conexión eléctrica



ADVERTENCIA: No utilice alargadores de cables ni enchufes múltiples, en la conexión de alimentación.



ADVERTENCIA: Un cable de corriente dañado deberá ser reemplazado por el Servicio Autorizado.



EN
ES
SV
NO
FI
DA
PT
EL

Instalación

- Nuestra empresa no asumirá la responsabilidad de cualquier daño debido al uso sin conexión de tierra y a la electricidad en el cumplimiento de las normativas nacionales.
- El enchufe del cable de alimentación debe ser de fácil acceso después de la instalación.



AVISO: ¡Superficie caliente!
En las paredes laterales de su producto existen tubos de enfriamiento para mejorar el sistema de refrigeración. Es posible que el fluido a alta presión fluya a través de estas superficies y ocasione superficies calientes en las paredes laterales. Esto es normal y no requiere servicio. Tenga cuidado cuando toca estas áreas.

4.5 Conexión de agua

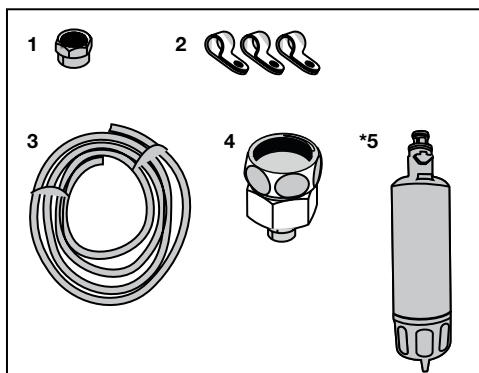
(Opcional)



ADVERTENCIA:

Desenchufe el aparato y la bomba de agua (si está disponible) durante la conexión.

Las conexiones de la toma de agua, el filtro y el garrafón del aparato deben ser realizadas por el servicio autorizado. El aparato puede ser conectado a un garrafón o directamente a la red de agua, dependiendo del modelo. Para establecer la conexión, la manguera de agua primero se debe conectar al aparato.



Revise las siguientes piezas que se suministran con el modelo de su aparato:

- 1. Conector (1 pieza):** Se utiliza para conectar la manguera de agua a la parte posterior del aparato.
- 2. Clip de la manguera (3 piezas):** Se utiliza para fijar la manguera de agua en la pared.
- 3. Manguera de agua (1 pieza, 5 metros con diámetro de 1/4 de pulgada):** Se utiliza para la conexión de agua.
- 4. Adaptador de grifo (1 pieza):** Se compone de un filtro poroso, que

Instalación

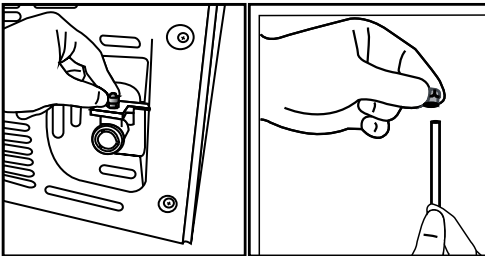
se utiliza para la conexión a la red de agua fría.

5. Filtro de agua (1 pieza *Opcional): Se utiliza para conectar la red de agua al aparato. El filtro de agua no es necesario si hay una conexión de garrafón disponible.

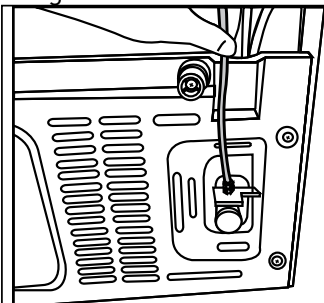
4.6 Conexión de la manguera de agua al aparato

Para conectar la manguera de agua al aparato, siga las siguientes instrucciones.

1. Quite el conector del adaptador de la boquilla de la manguera en la parte posterior del aparato y conecte la manguera a través del conector.

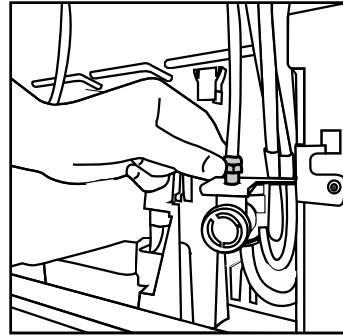


2. Empuje la manguera de agua hacia abajo con fuerza y conecte con el adaptador de la boquilla de la manguera.



3. Apriete el conector manualmente para fijar en el adaptador de la boquilla de la manguera. También

puede apretar el conector con una llave de tubo o alicates.



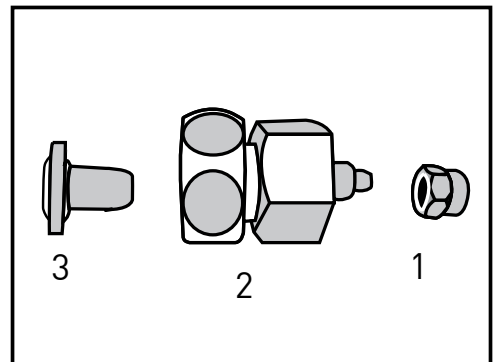
4. Conecte el otro extremo de la manguera a la red de agua (vea la sección 4.7) o, para usar garrafón, a la bomba de agua (véase la sección 4.8).

4.7 Conexión a la toma de agua

(Opcional)

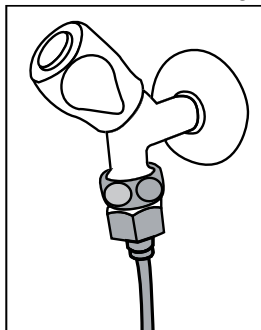
Para utilizar el aparato mediante la conexión a la red de agua fría, se debe instalar un conector de válvula estándar de 1/2 pulg. a la red de agua fría en su casa. Si el conector no está disponible o si no está seguro, consulte a un plomero calificado.

1. Separe el conector (1) del adaptador del grifo (2).

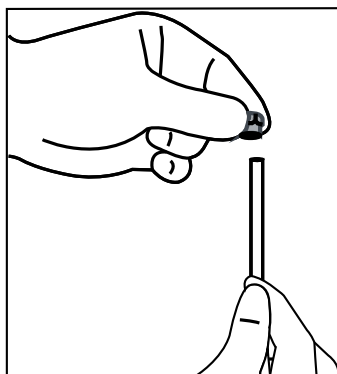


Instalación

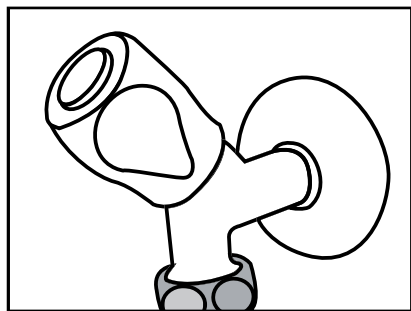
2. Conecte el adaptador del grifo de la válvula a la red de agua.



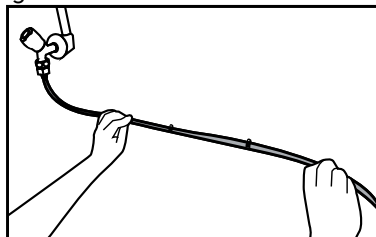
3. Una el conector alrededor de la manguera de agua.



4. Una el conector en el adaptador del grifo y apriete a mano o con una herramienta.



5. Para evitar daños, cambiando o desconectando accidentalmente la manguera, use los clips suministrados para fijar la manguera de agua adecuadamente.



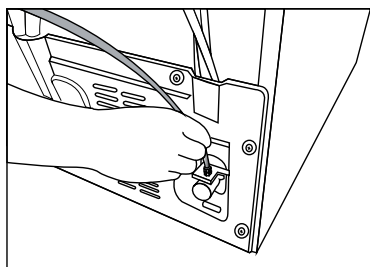
ADVERTENCIA: Después de abrir el grifo, asegúrese de que no haya fugas de agua en los extremos de la manguera de agua. En caso de fuga, cierre la válvula y apriete todas las conexiones con una llave de tubo o alicates.

4.8. Para los aparatos que usan garrafa de agua

(Opcional)

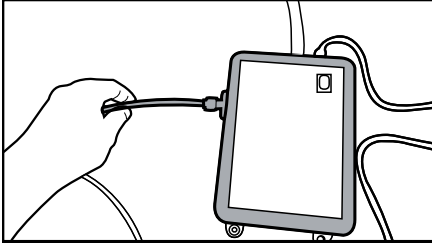
Para utilizar un garrafón para la conexión de agua del aparato, se debe instalar la bomba de agua recomendada por el servicio autorizado.

1. Conecte un extremo de la manguera de agua suministrada a la bomba para el aparato (vea 4.6) y siga las instrucciones siguientes.

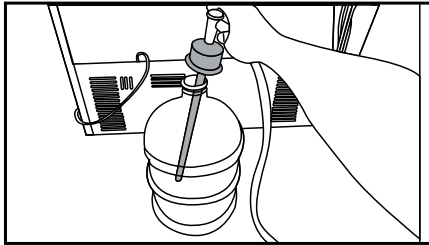


Instalación

2. Conecte el otro extremo de la manguera de agua a la bomba de agua empujando la manguera en la entrada de la manguera de la bomba.



3. Coloque y fije la manguera de la bomba dentro del garrafón.



4. Una vez establecida la conexión, conecte y encienda la bomba de agua.



Por favor, espere 2-3 minutos después de arrancar la bomba para alcanzar la eficacia deseada.



Vea también la guía del usuario de la bomba para la conexión de agua.



Al utilizar garrafón, no se requiere el filtro de agua.

4.9 Filtro de agua

(Opcional)

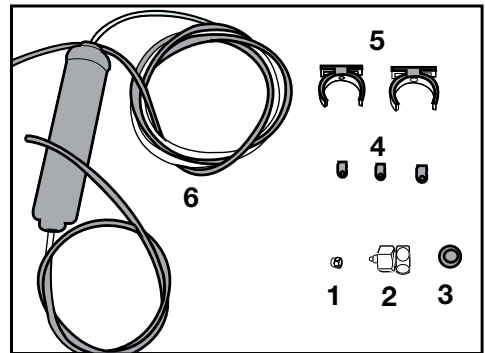
El aparato puede tener filtro interno o externo, dependiendo del modelo. Para instalar el filtro de agua, siga las siguientes instrucciones.

4.9.1. Fijación de un filtro externo en la pared (opcional)



ADVERTENCIA: No fije el filtro al aparato.

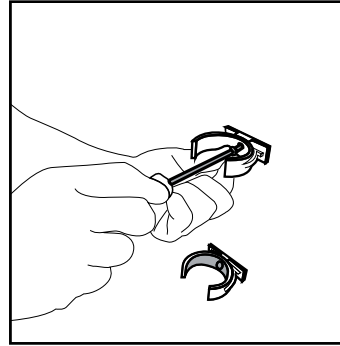
Revise las siguientes piezas que se suministran con el modelo de su aparato:



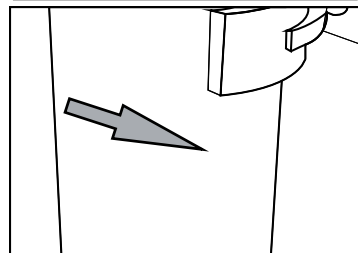
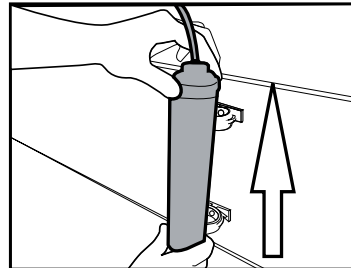
EN
ES
SV
NO
FI
DA
PT
EL

Instalación

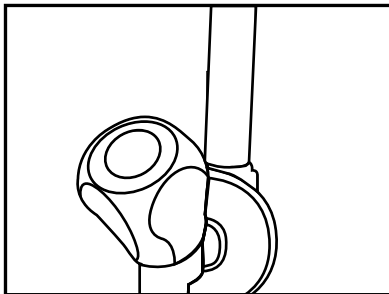
1. Conector (1 pieza): Se utiliza para conectar la manguera de agua a la parte posterior del aparato.
 2. Adaptador de grifo (1 pieza): Se utiliza para la conexión a la red de agua fría.
 3. Filtro poroso (1 pieza)
 4. Clip de la manguera (3 piezas): Se utiliza para fijar la manguera de agua en la pared.
 5. Dispositivo de conexión del filtro (2 piezas): Se utiliza para fijar el filtro a la pared.
 6. Filtro de agua (1 pieza): Se utiliza para conectar el aparato a la red de agua. El filtro de agua no es necesario cuando se utiliza una conexión a garrafón.
4. Conecte la manguera de agua que se extiende desde la parte superior del filtro al adaptador de conexión de agua del aparato, (vea 4.6.)



Una vez establecida la conexión, debe parecerse a la siguiente figura.



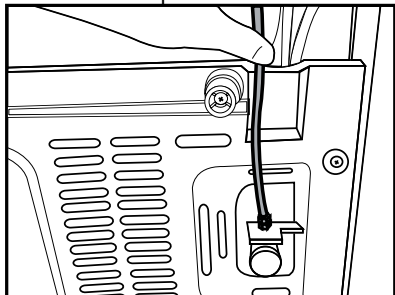
1. Conecte el adaptador del grifo de la válvula a la red de agua.
2. Determine la ubicación para fijar el filtro externo. Fije la conexión del filtro (5) del aparato a la pared.
3. Coloque el filtro en posición vertical en el dispositivo de conexión de filtro, como se indica en la etiqueta. (6)



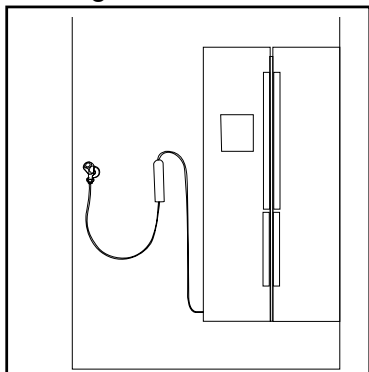
Instalación

4.9.2. Filtro interno

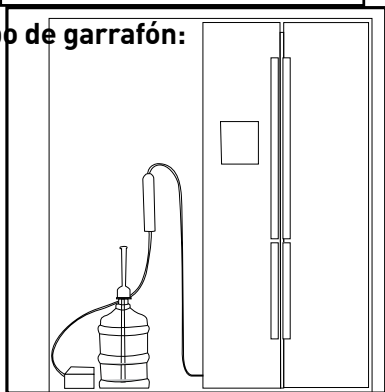
El filtro interno suministrado con el equipo no se instala después de la entrega, por favor, siga las siguientes instrucciones para instalar el filtro.



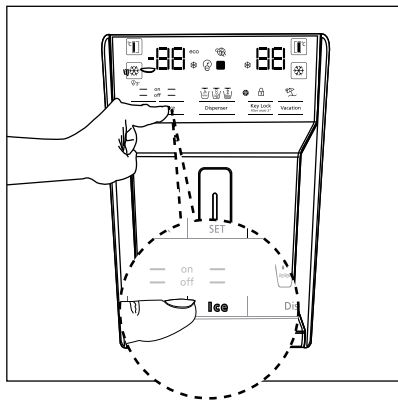
Tubo de agua:



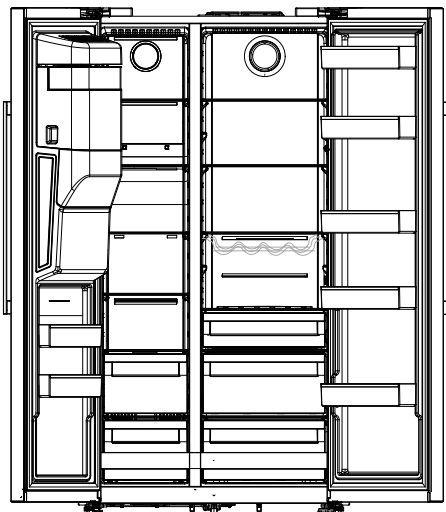
Tubo de garrafón:



1. El indicador "Hielo apagado" (Ice Off) debe estar seleccionado al instalar el filtro. Cambie el indicador entre Encendido-Apagado (ON-OFF) con el botón "Hielo" (Ice) en la pantalla.



2. Retire la bandeja de vegetales para tener acceso al filtro de agua. Quite la cubierta de derivación del filtro de agua tirando del mismo.



Instalación



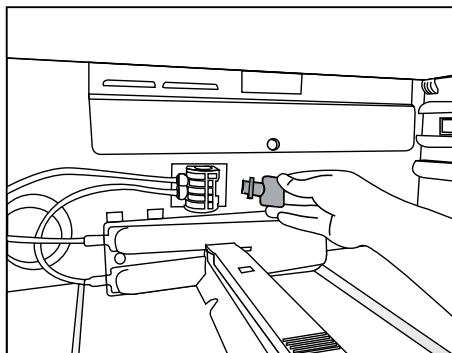
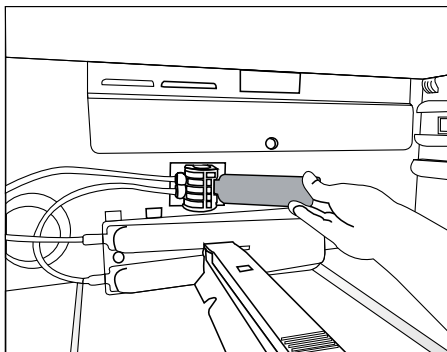
Unas pocas gotas de agua pueden fluir después de retirar la cubierta, esto es normal.

Quite la cubierta de derivación del filtro de agua tirando del mismo.



Unas pocas gotas de agua pueden fluir después de retirar la cubierta, esto es normal.

3. Coloque la cubierta del filtro de agua en el mecanismo y empuje para bloquearla en su lugar.



4. Pulse el botón "Hielo" (Ice) en la pantalla de nuevo para cancelar el modo de "Hielo apagado" (Ice Off).



El filtro de agua aclarará ciertas partículas extrañas en el agua. No eliminará los microorganismos en el agua.

5 Preparación

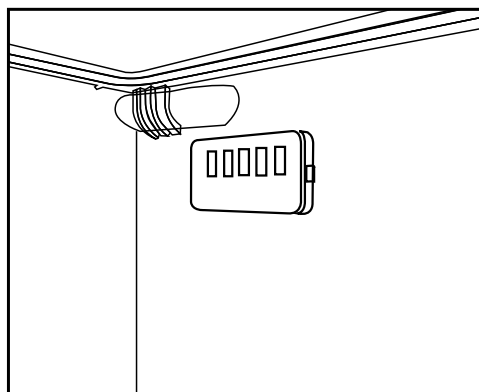


¡Primero lea la sección de "Instrucciones de Seguridad"!

5.1 Qué hacer para ahorrar energía



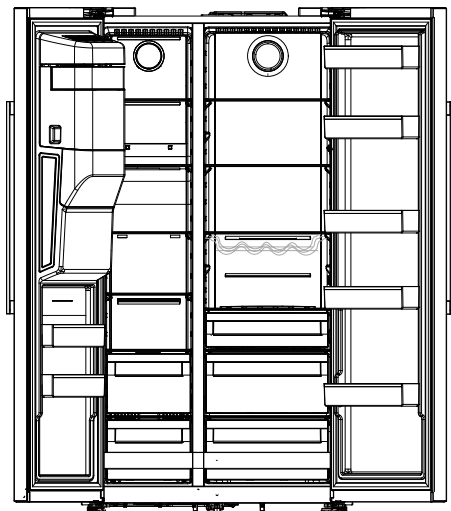
La conexión del aparato a sistemas de ahorro de energía electrónica es perjudicial, ya que puede dañar el aparato.



- Para un aparato autosoportado; este aparato de refrigeración no está destinado a ser utilizado como aparato empotrado;
 - No mantenga las puertas del frigorífico abiertas por largos periodos.
 - No coloque alimentos ni bebidas calientes en el frigorífico.
 - No llene demasiado el frigorífico, bloquear el flujo de aire interno reducirá la capacidad de enfriamiento.
 - Dependiendo de las características del aparato, descongelar los alimentos congelados en el compartimento refrigerador garantizará el ahorro energético y preservará la calidad de los alimentos.
 - Para garantizar el ahorro de energía y proteger los alimentos en mejores condiciones los alimentos se almacenarán en los cajones del compartimento refrigerador.
- Asegúrese de que los alimentos no estén en contacto con el sensor de temperatura del compartimento refrigerador descrito a continuación.
 - Como el aire caliente y húmedo no penetra directamente en su aparato cuando las puertas no están abiertas, su aparato se optimiza en condiciones suficientes para proteger su comida. En esta función de ahorro de energía, las funciones y componentes como el compresor, el ventilador, el calentador, el descongelador, la iluminación, la pantalla, etc. funcionarán según las necesidades para consumir el mínimo de energía mientras mantienen la frescura de sus alimentos.

5 Preparation

- Cuando existen varias opciones, los estantes de vidrio se deben colocar de forma que no se bloqueen las salidas de aire en la pared posterior, preferiblemente las salidas de aire permanecen debajo del estante de vidrio. Esta combinación podría ayudar a mejorar la distribución del aire y la eficiencia energética.



Un sonido se escuchará cuando el compresor esté activado. Es normal escuchar que suene incluso cuando el compresor está inactivo, debido a los líquidos y los gases comprimidos en el sistema de refrigeración.



Es normal que los bordes delanteros del frigorífico se sientan cálidos. Estas áreas están diseñadas para calentarse con el fin de evitar la condensación.



En algunos modelos, el panel indicador se apaga automáticamente 1 minutos después de que la puerta se cierre. Se reactivará cuando la puerta sea abierta o se pulse cualquier botón.

5.2 Primera operación

Antes de utilizar el refrigerador, asegúrese de que se han realizado los preparativos necesarios de acuerdo con lo descrito en las secciones "Instrucciones de seguridad y medio ambiente" e "Instalación".

- Mantenga el aparato en funcionamiento sin colocar comida en su interior durante 12 horas y no abra la puerta, a menos que sea absolutamente necesario.

6 Operación del Producto



¡Primero lea la sección de "Instrucciones de Seguridad"!

- Para agilizar la operación de descongelación, no utilice ninguna herramienta mecánica ni ninguna otra que no sea la recomendada por el fabricante.
- Las partes del frigorífico tales como la puerta y los cajones no se deben utilizar como soporte ni como escalón. Esto podría causar que el el producto se vuelque o que se dañen sus componentes.
- El producto se utilizará solamente para almacenar alimentos.
- Cierre la válvula de agua si estará fuera de casa (por ejemplo, de vacaciones) y no utilizará la Máquina de Hielo o el dispensador de agua durante un largo periodo de tiempo. En caso contrario, pueden producirse fugas de agua.

6.1 Apagado del producto

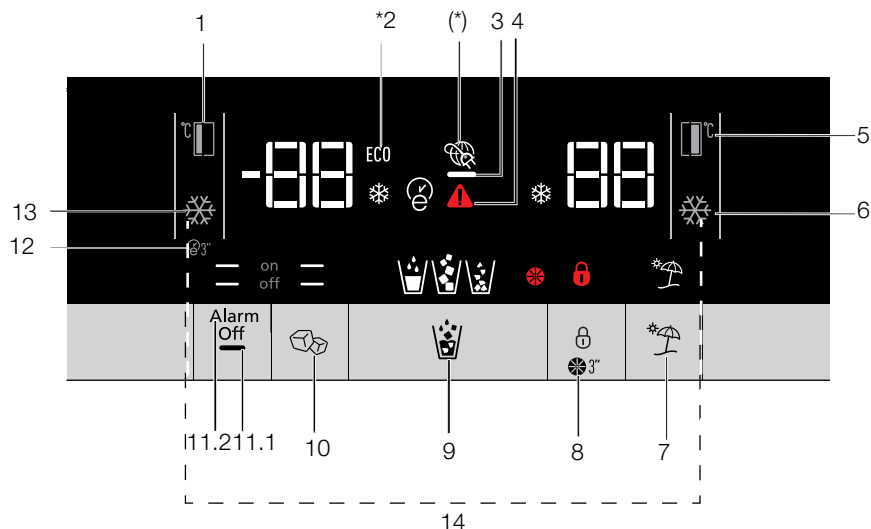
- Si no va a utilizar el producto durante un período prolongado;
 - - desenchúfalo,
 - - retire los alimentos para evitar los olores,
 - - espere hasta que el hielo se descongele,
 - - limpie el interior y espere hasta que se seque.
 - - deje las puertas abiertas para evitar que se dañen los plásticos internos de la carrocería.

6 Operación de Producto

¡Primero lea la sección de "Instrucciones de Seguridad"!

6.2 Panel indicador

Los tableros indicadores pueden variar dependiendo del modelo de su aparato. Las funciones audiovisuales del panel de indicadores le ayudarán a usar el refrigerador.



1. Ajuste de temperatura del compartimento congelador
2. Modo de ahorro
3. Función de ahorro de energía (visor apagado):
4. Apagón/Temperatura alta / luz de advertencia de error
5. Ajuste de temperatura del compartimento frigorífico
6. Refrigeración rápida
7. Función de vacaciones
8. Bloqueo del teclado / cancelación de la alerta de sustitución de filtro
9. Selección de agua, hielo picado o cubitos
10. Activación/desactivación de la fabricación de hielo
11. Visor encendido/apagado / Aviso de desconexión de la alarma
12. Autoeco
13. Congelación rápida
14. Conversión Celcius/Fahrenheit

***Puede no estar disponible en todos los modelos**



*Opcional: Las imágenes en esta guía del usuario son esquemáticas y es posible que no sean exactamente iguales que su aparato. Si el aparato no contiene las partes pertinentes, entonces la información pertenece a otros modelos.

Uso del aparato

1. Ajuste de temperatura del compartimento congelador

Pulsar el botón (❄️) permitirá ajustar la temperatura del compartimento congelador a -18,-19,-20,-21,-22,-23,-24,-18...

2. Modo de ahorro

Indica que el frigorífico está funcionando con el modo de ahorro energético. Este indicador estará activo cuando el compartimento congelador se fije en -18 °C o bien se esté realizando un proceso de enfriamiento energéticamente eficiente mediante la función Eco-Extra. (ECO)

3. Función de ahorro de energía (pantalla apagada)

Si las puertas de la nevera se mantienen cerradas durante un tiempo largo, la función de ahorro de energía se activa automáticamente y el símbolo de ahorro de energía se ilumina. Si la función de ahorro de energía está activa, todos los símbolos del visor se apagarán excepto el símbolo de energía. Cuando el modo de ahorro de energía está activo, si se pulsa cualquier botón o se abre la puerta, la función de ahorro de energía se cancelará y los símbolos en el visor volverán a su estado normal.

La función de ahorro de energía se activará durante la entrega desde la batería y no se puede cancelar.

4. Apagón/Temperatura alta / luz de advertencia de error

Este indicador (⚠️) se iluminará en caso de que la temperatura falle o se den avisos de errores. Si observa este indicador encendido, por favor, consulte el apartado «soluciones recomendadas para los problemas» de esta guía. Este indicador se ilumina durante un

apagón, fallos de alta temperatura y avisos de errores. Durante apagones prolongados, parpadeará en el visor la temperatura más alta registrada que alcance el compartimento del congelado. Después de comprobar los alimentos ubicados en el compartimento del congelador, pulse el botón de apagado de la alarma para aclarar la advertencia. Por favor, consulte la sección «remedios aconsejados para la solución de problemas» si ve que la luz está iluminada.

5. Ajuste de temperatura del compartimento frigorífico

Después de pulsar el botón (❄️), puede ajustar el compartimento frigorífico a 8,7,6,5,4,3,2.. respectivamente.

6. Refrigeración rápida

Para una refrigeración rápida, pulse el botón. Esto activará el indicador de refrigeración rápida (❄️).

Pulse de nuevo este botón para desactivar esta función.

Use esta función cuando coloque alimentos frescos en el compartimento frigorífico o para enfriar rápidamente los alimentos. Cuando esta función esté activa, el frigorífico funcionará durante 1 hora.

7. Función de vacaciones

Cuando la función de Vacaciones (🏖️) esté activa, la temperatura del compartimento refrigerador mostrará la inscripción «--» y no habrá ningún proceso de refrigeración activo en el compartimento frigorífico. Esta función no es adecuada para conservar alimentos en el compartimento frigorífico. Los otros compartimentos permanecerán fríos con la temperatura correspondiente para cada compartimento.

EN
ES
SV
NO
FI
DA
PT
EL

Uso del aparato

Para cancelar la función de Vacaciones, pulse de nuevo el botón. (🏠)

8. Bloqueo del teclado / Bloqueo del teclado / Cancelación de alerta de sustitución de filtro

Pulse el botón de Bloqueo del teclado (🔒) para activar el Bloqueo del teclado. También puede usar esta función para evitar cambiar los ajustes de temperatura del frigorífico. El filtro de agua debe sustituirse cada 6 meses. Mantenga pulsado el botón (🌸) durante 3 segundos para desactivar la luz de alerta del filtro.

9. Selección de agua, hielo picado o cubitos

Use el botón 8 para navegar por las funciones de agua (👑), cubitos (🧊) y hielo picado (🧊). El indicador activo permanecerá encendido.

10. Activación/desactivación de la fabricación de hielo

Pulse el botón para cancelar (🔒) o activar [off —] la fabricación (on —) de hielo.

11.1 Visor encendido/apagado

Pulse el botón (— off) para cancelar (XX) o activar (— on) la fabricación de hielo.

11.2 Aviso de desconexión de la alarma

En caso de apagón/alarma de alta temperatura, pulse el botón de desconexión de alarma para eliminar el aviso después de comprobar los alimentos en el compartimento del congelador.

12. Autoeco

Pulse el botón de autoeco (🌞) durante 3 segundos para activar esta función. Si la puerta permanece cerrada durante un periodo prolongado de tiempo con esta función activada, la zona de refrigeración pasará a un modo de funcionamiento más económico. Pulse de nuevo este botón para desactivar la función.

El indicador se encenderá después de 6 horas cuando la función autoeco esté activa (🌞).

13. Congelación rápida

Para la función de congelación rápida, pulse el botón ; esto activará el indicador de congelación rápida (❄️).

Cuando se activa la función de congelación rápida, el indicador de congelación rápida se iluminará y el indicador de temperatura del compartimento del congelador mostrará el valor -27. Presione el botón de congelación rápida (❄️) de nuevo para cancelar esta función. El indicador de congelación rápida se apagará y volverá a la configuración normal.

La función de congelación rápida se cancela automáticamente después de 24 horas, si no es cancelada por el usuario. Para congelar una gran cantidad de alimentos frescos, pulse el botón de congelación rápida 24 horas antes de colocar los alimentos en el compartimento del congelador.

14. Conversión Celcius/Fahrenheit

Es posible convertir los valores de temperatura entre Celcius y Fahrenheit pulsando la tecla de congelación rápida (❄️) la tecla de enfriamiento rápido (❄️) durante 3 segundos

6.3 Módulo desodorante

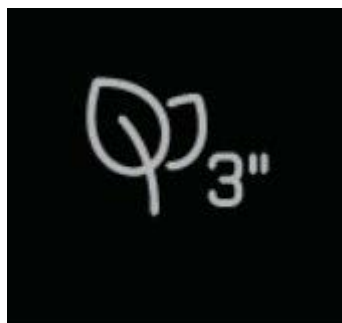
(OdourFresh +)

(Esta función es opcional)

El módulo de desodorización elimina rápidamente los malos olores de su frigorífico antes de que penetren en las superficies. Gracias a este módulo, que se coloca en el techo del compartimento de alimentos frescos, los malos olores se disuelven mientras el aire pasa activamente por el filtro de olores y, a continuación, el aire que ha sido limpiado por el filtro vuelve a salir al compartimento de alimentos frescos. De esta manera, los olores no deseados que pueden surgir durante el almacenamiento de los alimentos en el frigorífico se eliminan antes de que penetren en las superficies.

Esto se consigue gracias al ventilador, al LED y al filtro de olores integrado en el módulo.

Cuando desee utilizar el módulo desodorizador, actívelo desde el botón indicador.



Uso del aparato

6.4 Cajón de verduras con control de humedad (FreSHelf+)

(Opcional)

Gracias al cajón de verduras con control de humedad, las verduras y frutas pueden almacenarse durante más tiempo en un ambiente con condiciones de humedad ideales. Con el sistema de ajuste de la humedad con 3 opciones en la parte delantera del frigorífico, puede controlar el nivel de humedad interior del compartimiento en función de los alimentos que almacena.

Le recomendamos almacenar sus alimentos seleccionando la opción de verduras cuando almacene sólo verduras, la opción de frutas cuando almacene sólo frutas y la opción de alimentos mixtos cuando almacene alimentos mixtos.

Para mejorar el periodo de conservación de los alimentos y aprovechar mejor el sistema de control de la humedad, recomendamos que las verduras y frutas no se almacenen en bolsas. El hecho de dejarlas en bolsas de plástico hace que las verduras se pudran en poco tiempo.

Es recomendable que los pepinos y los brócolis, en particular, no se almacenen en bolsas cerradas. Cuando no se prefiera el contacto con otras verduras, utilice materiales de envasado, como el papel, que tienen un cierto nivel de porosidad en términos de higiene.

A la hora de colocar las verduras, ponga las pesadas y duras en el fondo y las ligeras y blandas en la parte superior, considerando los pesos específicos de las verduras.

No ponga las frutas que producen gran cantidad de gas etileno, tales como la pera, el albaricoque, el melocotón y sobre todo la manzana,

en el mismo cajón con otras verduras y frutas. El gas etileno procedente de estas frutas puede hacer que otras verduras y frutas maduren más rápido y que se pudran en un periodo de tiempo más corto.

6.5 Blue light/Tecnología Vitamin Care

***Puede no estar disponible en todos los modelos**

Para Blue light,

Las frutas y verduras almacenadas en los cajones que se iluminan con una luz azul continúan su fotosíntesis gracias al efecto de longitud de onda de la luz azul y así conservan su contenido de vitamina C por más tiempo.

Para VitaminCare+,

Las frutas y verduras almacenadas en los cajones iluminados con la tecnología VitaminCare+ conservan su contenido de vitamina A y C durante más tiempo gracias a las luces azules, verdes, rojas y ciclos oscuros, que simulan un ciclo diurno.

Con esta tecnología, puede mantener sus frutas y verduras sabrosas y saludables por más tiempo, lo que le ayudará a minimizar el desperdicio de comida en casa.

Si abre la puerta del refrigerador mientras que el ciclo de luz oscura de la tecnología VitaminCare+, está funcionando, el refrigerador lo detectará automáticamente y permitirá que la luz azul, verde o roja ilumine el cajón para su mayor comodidad. Después de cerrar la puerta del refrigerador, el ciclo oscuro se reanudará, para así completar el ciclo diurno natural.

Uso del aparato

6.6 Uso de la fuente de agua

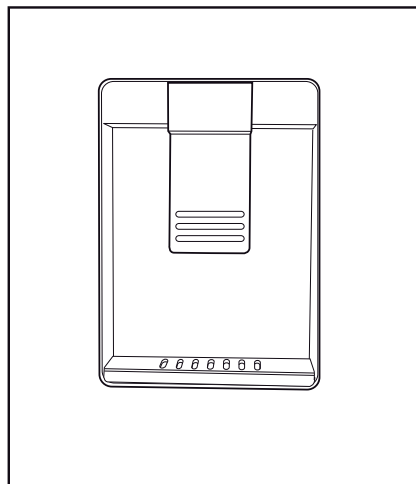
(Esta función es opcional)



Los primeros vasos de agua tomados del dispensador estarán normalmente cálidos.



Si el dispensador de agua no se utiliza durante mucho tiempo, deseche los primeros vasos de agua para obtener agua limpia.

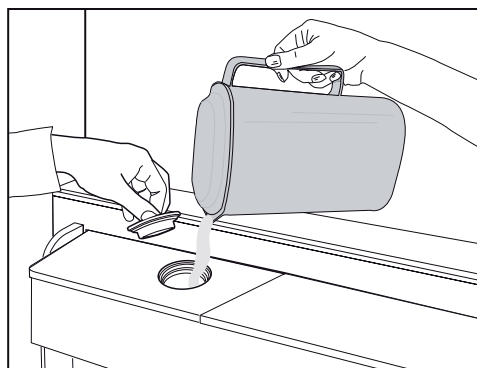


La cantidad de flujo de agua que sale de la fuente depende de la presión que se ejerza sobre el brazo. Para evitar el desbordamiento suelte la presión en el brazo levemente a medida que aumenta el nivel de agua en su vaso/contenedor. Si presiona ligeramente el brazo, el agua goteará; esto es normal y no se trata de un fallo.

1. Empuje el brazo del dispensador de agua con su vaso. Resultará más fácil empujar el brazo con la mano si se utiliza un vaso de plástico blando.
2. Después de llenar el vaso con agua conforme a su deseo, suelte el brazo.

6.7 Llenar el depósito de agua de la fuente de agua

Abra la tapa del depósito de agua tal como se muestra en la figura. Rellene con agua potable pura y limpia. Cierre la tapa.

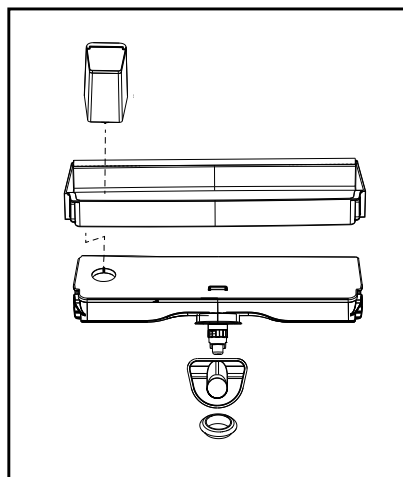
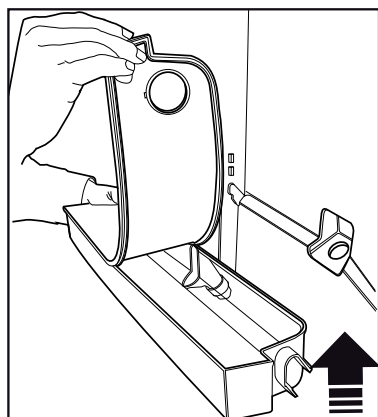
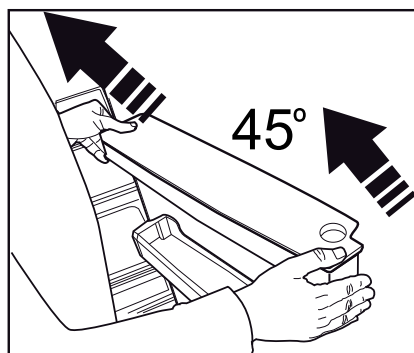
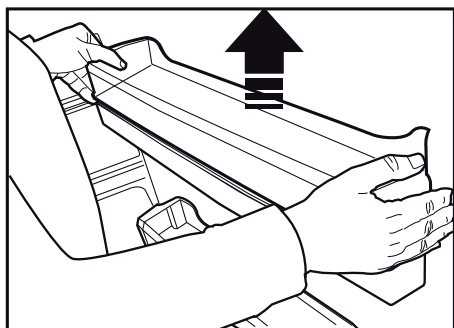


6.8 Limpieza del depósito de agua

Retire el depósito de carga de agua en el interior del estante de la puerta. Separe sosteniendo ambos lados del estante de la puerta. Sujete ambos lados del tanque de agua y retire a un ángulo de 45°. Retire y limpie la tapa del depósito de agua.

EN
ES
SV
NO
FI
DA
PT
EL

Uso del aparato



No llene el depósito de agua con jugo de frutas, bebidas gaseosas, bebidas alcohólicas ni cualquier otro líquido incompatible para su uso en el dispensador de agua. El uso de tales líquidos causará un mal funcionamiento y daños irreparables en el dispensador de agua. El uso del dispensador de esta manera no está dentro del alcance de la garantía. Ciertos aparatos químicos y aditivos en las bebidas/líquidos pueden causar daños materiales en el depósito de agua.



Los componentes del dispensador del tanque de agua no se pueden lavar en el lavavajillas.



Los componentes del tanque de agua y del dispensador de agua no deben ser lavados en el lavavajillas.



6.9 El contenedor de productos lácteos (almacenamiento frío)

(Esta función es opcional)

"El contenedor de productos lácteos (almacenamiento frío)" proporciona una temperatura más baja dentro del compartimiento del frigorífico. Utilice este contenedor con el fin de almacenar productos de charcutería (salami, salchichas, productos lácteos, etc.) que requieren una temperatura de almacenamiento más baja o productos de carne, pollo o pescado para su consumo inmediato. No almacene frutas y vegetales dentro de este compartimento.

6.10 Cajón para verduras

El cajón de vegetales del frigorífico está diseñada para mantener los cajones frescos por preservar la humedad. Para este propósito, la circulación general aire frío se intensifica en el cajón. Mantenga las frutas y vegetales en este compartimento. Mantenga las vegetales y frutas de hojas verdes por separado para prolongar su vida.

6.11 Ionizador

(Esta función es opcional)

El sistema ionizador en el conducto de aire del compartimento refrigerador sirve para ionizar el aire. Las emisiones de iones negativos eliminan las bacterias y otras moléculas que causan olor en el aire.

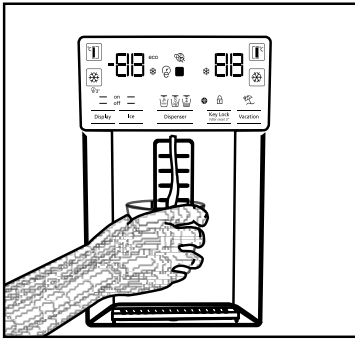
6.12 Filtro de olores

(Esta función es opcional)

El filtro de olores en el conducto de aire del compartimento refrigerador evitará la formación de olores indeseables.

6.13 Tomar hielo / agua (Opcional)

Para tomar agua (☺) / cubos de hielo (☹) / hielo fragmentado (☹☹), utilice la pantalla para seleccionar la opción correspondiente. Tome agua / hielo presionando el gatillo del dispensador de agua hacia adelante. Al cambiar entre las opciones de cubos de hielo (☹)/hielo fragmentado (☹☹), el tipo de hielo anterior puede ser descargado unas cuantas veces más.



- Debe esperar aproximadamente 12 horas antes de tomar hielo del dispensador de hielo / agua por primera vez. El dispensador puede no descargar hielo si hay hielo suficiente en la caja de hielo.
- Las 30 piezas de cubos de hielo (3-4 litros) tomadas después de la primera operación no deben utilizarse.
- En caso de apagón eléctrico o mal funcionamiento temporal, el hielo puede fundirse parcialmente y volver a congelar. Esto hará que los trozos de hielo se fusionen uno con el otro. En caso de cortes de energía prolongados o mal funcionamiento, el hielo puede derretirse y gotear. Si experimenta este problema, quite el hielo en la caja de hielo y limpie la caja.



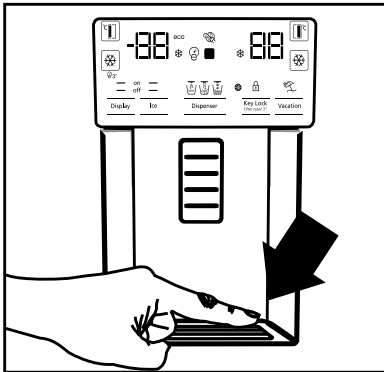
ADVERTENCIA: El sistema de agua del aparato se debe conectar al único tubo de agua fría. No conecte a la tubería de agua caliente.

- El aparato podría no descargar el agua durante la primera operación. Esto es causado por el aire en el sistema. El aire en el sistema debe ser descargado. Para ello, presione el disparador del dispensador de agua durante 1-2 minutos, hasta que el dispensador descargue el agua. El flujo de agua inicial puede ser irregular. El agua fluirá normalmente una vez que se descargue el aire en el sistema.
- El agua puede ser turbia durante el primer uso del filtro, no consuma los 10 primeros vasos de agua.
- Debe esperar aproximadamente 12 horas para conseguir agua fría después de la primera instalación.
- El sistema de agua del aparato está diseñado solamente para agua potable y limpia. No utilice ninguna otra bebida.
- Se recomienda desconectar el suministro de agua si el aparato no va a ser utilizado por largos períodos durante las vacaciones, etc.
- Si el dispensador de agua no se utiliza desde hace mucho tiempo, los primeros 1-2 vasos de agua recibidos pueden salir calientes.

Uso del aparato

6.14 Bandeja de goteo (Opcional)

El goteo del agua del dispensador de agua se acumula en la bandeja de goteo, sin drenaje de agua disponible. Extraiga la bandeja de goteo o empuje en los bordes para quitar la bandeja. A continuación, puede descargar el agua en el interior de la bandeja de goteo.



6.15 Máquina de hielo (Opcional)

La máquina de hielo está ubicada en la parte superior de la tapa del congelador.

Sujete las asas en los laterales del depósito de hielo y mueva hacia arriba para retirar.

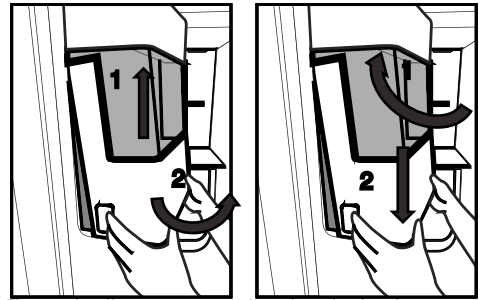
Retire la tapa decorativa de la máquina de hielo moviendo hacia arriba.

Como sacar la cubitera

Sujete la cubitera por los mangos, elévela ligeramente hacia arriba y tire de ella. (Ilustración 1)

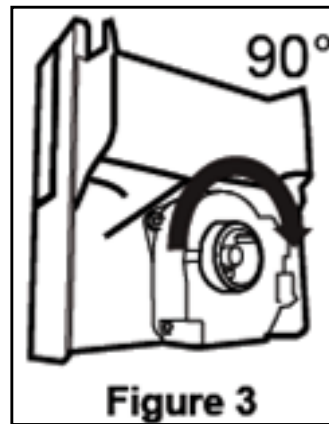
Como volver a colocar la cubitera

Sujete la cubitera por los mangos, muévela en ángulo para alinear sus laterales con las ranuras de inserción, asegurándose de que la varilla selectora esté correctamente colocada. (Ilustración 2)



Empuje firmemente hacia abajo, hasta que no quede ningún espacio entre la cubitera y el soporte plástico de la puerta. (Ilustración 2)

Si le cuesta recolocar la cubitera, gírela 90° y vuélvala a colocar tal y como se muestra en la ilustración 3.



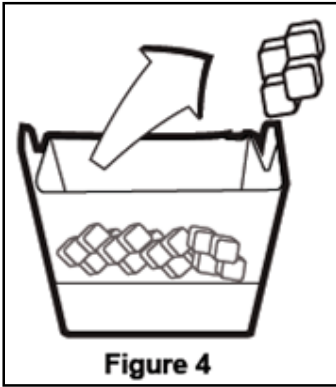
Como parte del funcionamiento normal de la nevera, es normal oír ruidos al caer el hielo dentro de la cubitera.

En caso de que el dispensador de hielo no funcione correctamente

Si no saca los cubitos de hielo durante mucho tiempo, se formarán bloques más grandes de hielo. De ser así, saque la cubitera siguiendo las instrucciones anteriores. Separe los bloques de hielo y descarte aquellos que no pueda separar en cubitos. Vuelva a poner los cubitos de hielo en la cubitera. (Ilustración 4)

EN
ES
SV
NO
FI
DA
PT
EL

Uso del aparato



Si no sale hielo por el dispensador, compruebe que no haya hielo o cubitos obstruyendo la boquilla de salida; de ser así, sáquelos. Compruebe con frecuencia la boquilla de salida para comprobar cualquier obstrucción tal y como muestra la ilustración 5.



Cuando use el frigorífico por primera vez, o cuando no lo vaya a usar durante mucho tiempo.

Los cubitos de hielo pueden aún ser pequeños tras conectar los tubos; el aire que pueda haber en ellos se purgará durante el funcionamiento normal del frigorífico.

Debido a que los tubos pueden contener restos de contaminantes, le recomendamos que descarte el hielo que produzca el frigorífico durante un día aproximadamente.

Precaución!

No meta las manos ni ningún objeto dentro de la boquilla de salida ni en la cuchilla: las piezas podrían dañarse o usted podría sufrir heridas y lesiones.

No permita que los niños se cuelguen del dispensador de hielo ni de la hielera: podrían sufrir heridas y lesiones.

En caso de existir un bloqueo (no se extrae hielo del frigorífico) mientras se extrae hielo roto, intente extraer hielo en cubos.

Entonces será adecuado para volver a extraer hielo roto.

Mientras se extrae hielo roto, el hielo en cubos puede ser lo primero que salga. Existe el caso de que se obtenga hielo en cubos mientras se extraiga hielo roto.

La puerta del frigorífico en la parte delantera de la máquina de hielo puede crear una ligera formación de nieve y capa de película.

Esto es normal, se recomienda limpiar sin esperar mucho tiempo.

La sección de la rejilla en la parte inferior del dispensador de agua se llena con agua con el tiempo.

Uso del aparato

Límpielo regularmente. Se recomienda limpiar el agua dentro de esta zona periódicamente.

Mientras el hielo cae del depósito de almacenamiento de hielo, el sonido es normal y no indica que el producto sea problemático.

El mecanismo de la cuchilla dentro del banco de hielo es afilado y puede cortarle la mano.

En caso de que el dispensador de hielo no proporcione hielo, es posible que el hielo se adhiera entre sí, retire el depósito y límpielo de nuevo.

Utilice ambas manos para sacar la cubitera; así evitará que ésta pueda caerse al suelo.

Si cierra la puerta del frigorífico con fuerza, se podría derramar agua sobre la cubitera.

No desmonte la cubitera a menos que sea realmente necesario.

El tipo de hielo no se puede cambiar en la pantalla cuando se pulsa el accionador para obtener hielo. Suelte el accionador, cambie el tipo de hielo en la pantalla y obtenga hielo de nuevo.

EN

ES

SV

NO

FI

DA

PT

EL

6.16 Congelación de alimentos frescos

- Para preservar la calidad de los alimentos, los alimentos colocados en el compartimento del congelador deben congelarse lo más rápidamente posible, utilice la congelación rápida para esto.
- Para congelar una gran cantidad de alimentos frescos, pulse el botón de congelación rápida 24 horas antes de colocar los alimentos en el compartimento del congelador.
- Congelar los alimentos cuando están frescos extenderá su tiempo de almacenamiento en el compartimento del congelador.
- Empaque los alimentos en envases herméticos y séllelos herméticamente.
- Asegúrese de que los alimentos sean envasados antes de ponerlos en el congelador. Utilice envases para congelador, papel de aluminio, papel a prueba de humedad, bolsas de plástico o materiales de embalaje similares en lugar de papel de embalaje tradicional.
- Marque cada paquete de comida con la fecha en la que el paquete se va a congelar. Esto le permitirá determinar la frescura de cada paquete cada vez que se abra el congelador. Mantenga los alimentos más antiguos en el frente para asegurar que se utilicen primero.
- Los alimentos congelados deben usarse inmediatamente después de la descongelación y no se deben congelar de nuevo.
- No congele grandes cantidades de alimentos de una sola vez.

Uso del aparato

Ajuste de Configuración del Congelador	Ajuste de Configuración del Refrigerador	Descripciones
-18°C	4°C	Este es el ajuste predeterminado y recomendado.
-20,-22 or -24°C	4°C	Estos ajustes se recomiendan para temperaturas superiores a 30°C.
Congelación rápida	4°C	Active la función de congelación rápida 24 horas antes de colocar los alimentos. El aparato volverá a los ajustes previos cuando el proceso se haya completado.
-18°C o más frío	2°C	Use estos ajustes si cree que el compartimento del frigorífico no está lo suficientemente frío debido a la temperatura ambiental o frecuencia de apertura de la puerta.

6.17 Recomendaciones para el almacenamiento de los alimentos congelados

El compartimento se debe establecer en al menos a -18°C.

1. Coloque los alimentos en el congelador lo más rápidamente posible para evitar la descongelación.
2. Antes de congelar, revise la "Fecha de caducidad" en el paquete para asegurarse de que no ha caducado.
3. Asegúrese de que el embalaje de la comida no este dañado.

6.18 Detalles del congelador

De acuerdo con las normas IEC 62552, el congelador debe tener la capacidad de congelar 4,5 kg de alimentos a -18 °C o temperaturas más bajas en 24 horas por cada 100 litros de volumen del compartimento

congelador. Los artículos de comida solo pueden conservarse durante períodos prolongados en o por debajo de la temperatura de -18°C . Usted puede mantener los alimentos frescos durante meses (en congelador a o por debajo de temperaturas de 18°C). Los alimentos a congelar no deben ponerse en contacto con los alimentos ya congelados en el interior para evitar la descongelación parcial. Hierva las vegetales y filtre el agua para prolongar el tiempo de almacenamiento congelado. Coloque los alimentos en envases herméticos después de la filtración y en el congelador. Los plátanos, tomates, lechuga, apio, huevos, patatas y alimentos similares no se deben congelar. La congelación estos alimentos solo reduce el valor nutricional y la calidad de los mismos, y existe la posibilidad de

Uso del aparato

que se echen a perder lo que sería perjudicial para la salud.

6.19 Colocación de los alimentos

Estantes del congelador	Varios artículos congelados como carne, pescado, helados, vegetales, etc.
Estantes del compartimento refrigerador	Alimentos dentro de ollas, placa cerrada, cajas neveras, huevos (en envase tapado)
Puertas los estantes del compartimento refrigerador	Alimentos o bebidas pequeños y embalados
Cajón de vegetales	Frutas y vegetales
Compartimento de alimentos frescos	Carnes frías (comida para el desayuno, aparatos cárnicos que se consumen en un corto plazo)

6.20 Alerta de puerta abierta

(Esta función es opcional)

Se escuchará una alarma sonora si la puerta del aparato permanece abierta durante 1,5 minutos. La alerta audible se detendrá cuando se cierre la puerta o se presione un botón en la pantalla (si está disponible).

6.21 Lámpara de Iluminación

La luz interior utiliza una lámpara tipo LED. Póngase en contacto con el servicio técnico autorizado para cualquier problema con esta lámpara. La(s) lámpara(s) utilizada(s) en este aparato no se puede(n) utilizar para la iluminación del hogar. Esta lámpara está pensada para ayudar al usuario a colocar los alimentos en el frigorífico/congelador de forma segura y cómoda.

7 Mantenimiento y limpieza



ADVERTENCIA: ¡Primero lea la sección de “Instrucciones de Seguridad”!



ADVERTENCIA: Desenchufe el aparato antes de limpiarlo.

- No utilice herramientas afiladas o abrasivas para limpiar el producto. No utilice materiales como agentes de limpieza domésticos, jabón, detergentes, gas, gasolina, alcohol, cera, etc.
- Se debe quitar el polvo de la rejilla de ventilación de la parte trasera del producto al menos una vez al año (sin abrir la tapa). La limpieza se realizará con un paño seco.

Para productos con fuente de agua/ máquina de hielo

- Si el agua del depósito de agua ha esperado entre 2 y 3 semanas, deberá ser sustituida. el depósito de agua y los componentes de la fuente de agua no deben lavarse en el lavavajillas.
- Derrita una cucharada de carbonato en agua. Humedezca un trozo de tela en el agua y escurra. Limpie el dispositivo con el paño y seque a fondo.
- Tenga cuidado en mantener el agua lejos de la cubierta de la lámpara y otras partes eléctricas.
- Limpie la puerta con un paño húmedo. Retire todo el contenido para quitar la puerta y las rejillas de la carcasa. Retire las rejillas de la puerta elevándolas hacia arriba. Limpie y seque las estanterías, a continuación, colóquelas de nuevo en su lugar deslizándolas desde arriba.

- No use agua con cloro ni aparatos de limpieza en la superficie exterior y las piezas de revestidas de cromo del aparato. El cloro causará herrumbre en este tipo de superficies metálicas.
- A fin de evitar la deformación de la pieza de plástico y la eliminación de los grabados en la pieza no utilice herramientas afiladas y abrasivas, jabón, materiales de limpieza doméstica, detergentes, gas, gasolina, barniz y sustancias similares. Utilice agua tibia y paño suave para limpiar, y luego seque el producto.
- En los productos que no tienen la función No-Frost, es posible que se produzcan gotas de agua y hielo de un grosor de un dedo en la pared posterior del congelador. No lo limpie, y nunca aplique aceites o materiales similares.
- Para limpiar la superficie externa del producto utilice un paño de microfibra poco humedecido. Las esponjas y otros tipos de trapos de limpieza pueden provocar arañazos.
- Al limpiar la superficie interior del producto, lave todos los componentes desmontables con una solución suave compuesta de jabón, agua y carbonato. Llave muy bien y seque. Evite que el agua entre en contacto con los componentes de la iluminación y el panel de control.



¡PRECAUCIÓN!

No utilice vinagre, alcohol para frotar u otros agentes de limpieza a base de alcohol en ninguna de las superficies interiores.

EN
ES
SV
NO
FI
DA
PT
EL

7 Mantenimiento y limpieza

7.1 Superficies Exteriores de Acero Inoxidable

Utilice un producto de limpieza no abrasivo para acero inoxidable y aplíquelo con un paño suave sin pelusas. Para pulir, frote suavemente la superficie con un paño de microfibra humedecido en agua y utilice una gamuza de pulido en seco. Siga siempre los hilos del acero inoxidable.

7.2 Limpieza de Productos con Puertas de Vidrio

Retire la lámina de protección de los vidrios.

Hay una capa en la superficie de vidrios. Este acabado minimiza la formación de manchas y asegura una fácil limpieza de las manchas y suciedades formadas. Los vidrios que no están protegidos por un revestimiento pueden estar expuestos a una adherencia permanente de contaminantes orgánicos o inorgánicos, en el aire o en el agua, como la cal, las sales minerales, los hidrocarburos no quemados, los óxidos metálicos y los silicios, que provocan manchas y daños físicos fácilmente en corto período de tiempo. Mantener los vidrios limpios se hace muy difícil, por no decir imposible, a pesar de que se limpien regularmente. Como resultado, la transparencia y el apariencia del vidrio se deterioran. Los métodos y los agentes de limpieza duros y abrasivos incrementan aún más estos defectos y adelantan el proceso de deterioro.

Para los procesos de limpieza rutinarios, *se utilizarán productos de limpieza no alcalinos y no corrosivos a base de agua. A fin de prolongar la vida útil de este acabado, no se deben utilizar sustancias alcalinas y corrosivas durante la limpieza.

Para incrementar la resistencia de estos vidrios contra los impactos y la rotura se ha aplicado un proceso de templado.

Como precaución de seguridad adicional, se ha aplicado una película de seguridad a la superficie posterior de estos vidrios con el fin de evitar daños al medio ambiente en caso de que se rompa.

7.3 Prevención de Olores

El aparato se fabrica libre de cualquier material oloroso. Sin embargo, mantener la comida en secciones inadecuadas y una limpieza inadecuada de las superficies internas puede causar olor.

Para evitar esto, limpie el interior con agua carbonatada cada 15 días.

- Mantenga los alimentos en envases sellados. Los microorganismos pueden propagarse fuera de los alimentos no sellados y causar mal olor.
- No guarde alimentos caducados y en mal estado en el frigorífico.



El té constituye uno de los más eficaces eliminadores de olores. Coloque la pulpa del té colado en el producto dentro de un recipiente abierto y retírela después de 12 horas como máximo. En caso de mantener la pulpa del té en el interior del producto durante más de 12 horas, se acumularán los organismos causantes del olor, por lo que puede convertirse en la propia fuente de olor.

7.4 Protección de Superficies de Plástico

El aceite derramado en las superficies de plástico puede dañar la superficie y debe ser limpiado inmediatamente con agua tibia.

8 Solución de problemas

Por favor, revise esta lista antes de llamar al servicio técnico. Esto le ahorrará tiempo y dinero. Esta lista contiene los problemas más frecuentes que no son resultado de una mano de obra o material defectuoso. Es posible que su aparato no tenga algunas de las características que se describen aquí.

El frigorífico no está funcionando.

- Puede que no esté bien conectado. >>>Enchufa el aparato correctamente.
- El fusible del enchufe al que está conectado el frigorífico o el fusible principal puede haberse fundido. >>>Compruebe el fusible.

Condensación en la pared lateral del frigorífico (MULTI ZONE, COOL CONTROL y FLEXI ZONE).

- La puerta puede haberse abierto/cerrado con frecuencia. >>>No abrir/cerrar la puerta del frigorífico con frecuencia.
- El ambiente puede ser demasiado húmedo. >>>No instale el frigorífico en lugares con un nivel de humedad muy alto.
- Los alimentos que contienen líquido pueden haber sido colocados en el frigorífico en recipientes sin tapa. >>>No coloque alimentos que contengan líquidos en el frigorífico en recipientes no sellados.
- La puerta del frigorífico puede haberse dejado entreabierta. >>>No mantenga las puertas del frigorífico abiertas durante mucho tiempo.
- El termostato puede haber sido ajustado a un nivel muy frío. >>>Ajuste el termostato a un nivel apropiado.

El compresor no funciona.

- El calor protector del compresor se apagará durante los fallos repentinos de alimentación o de enchufe, ya que la presión del refrigerante en el sistema de refrigeración del frigorífico no se ha equilibrado todavía. El frigorífico comenzará a funcionar aproximadamente después de 6 minutos. Por favor, llame al Proveedor de Servicios Autorizados si el frigorífico no arranca al final de este período.
- El congelador está en ciclo de descongelación. >>>Esto es normal para un frigorífico que realiza un descongelamiento automático completo. El ciclo de descongelación se realiza periódicamente.
- Es posible que el frigorífico no esté enchufado. >>>Asegúrate de que el enchufe encaje en la toma de corriente.
- Los ajustes de temperatura pueden ser incorrectos. >>>Selecciona el valor de temperatura correcto.
- Posible fallo de alimentación. >>>El frigorífico comenzará a funcionar normalmente cuando se restablezca la energía.

El ruido de funcionamiento aumenta cuando el frigorífico está en funcionamiento.

- El rendimiento del funcionamiento del frigorífico puede variar en función de los cambios de temperatura ambiente. Esto es normal y no se trata de ninguna avería.

El frigorífico está funcionando con frecuencia o durante mucho tiempo.

- Su nuevo aparato puede ser más grande que el anterior. Los frigoríficos más grandes funcionan durante un período de tiempo más largo.
- La temperatura ambiente puede ser alta. >>> Es normal que el aparato funcione por períodos más largos en ambientes calientes.
- Es posible que el frigorífico se haya enchufado o cargado con alimentos. >>>El aparato tarda más en alcanzar la temperatura establecida cuando acaba de ser enchufado o cargado con alimentos. Esto es normal.
- Es posible que recientemente se hayan puesto grandes cantidades de comida caliente en el frigorífico. >>>No coloque comida caliente en el frigorífico.
- Es posible que las puertas se hayan abierto con frecuencia o se hayan dejado entreabiertas durante mucho tiempo. >>>El aire caliente que entra en el frigorífico hace que funcione durante un período más largo de tiempo. No abra las puertas con demasiada frecuencia.
- La puerta del congelador o del frigorífico puede haberse dejado entreabierta. >>> Compruebe si las puertas están completamente cerradas.
- El aparato puede ser ajustado a una temperatura muy baja. >>> Ajustar la temperatura del frigorífico a un valor más alto y esperar hasta que el aparato alcance esta temperatura.
- La junta de la puerta del frigorífico o del congelador puede estar sucia, desgastada, rota o mal asentada. >>> Limpia o reemplaza el sello. Un sello dañado/roto hace que el frigorífico funcione durante más tiempo para mantener la temperatura actual.

La temperatura del frigorífico es adecuada pero la temperatura del congelador es muy baja.

- La temperatura del compartimento del congelador puede estar ajustada a un valor muy bajo. >>> Ponga la temperatura del compartimento del congelador a un valor más alto y compruébelo.

La temperatura del congelador es adecuada pero la temperatura del frigorífico es muy baja.

- La temperatura del frigorífico se ajusta a un valor muy bajo. >>> Ajuste la temperatura del frigorífico a un valor más alto y compruebe.

Los alimentos que se guardan en los cajones del frigorífico se congelan.

- La temperatura del frigorífico puede tener un valor muy alto. >>> Ajuste la temperatura del frigorífico a un valor más bajo y compruebe.

La temperatura en el frigorífico o el congelador es muy alta.

Solución de problemas

- La temperatura del frigorífico puede tener un valor muy alto. >>> El ajuste de la temperatura del frigorífico tiene un efecto en la temperatura del congelador. Cambia la temperatura del frigorífico o el congelador hasta que la temperatura del compartimento el frigorífico o el congelador alcance un nivel adecuado.
- Es posible que las puertas se hayan abierto con frecuencia o se hayan dejado entreabiertas durante mucho tiempo. >>>No abra las puertas con demasiada frecuencia.
- La puerta puede haberse dejado entreabierta. >>>Cierre la puerta completamente.
- El frigorífico puede haber sido simplemente enchufado o cargado con alimentos. >>>Esto es normal El aparato tarda más en alcanzar la temperatura establecida cuando acaba de ser enchufado o cargado con comida.
- Es posible que recientemente se hayan puesto grandes cantidades de comida caliente en el frigorífico. >>>No coloque comida caliente en el frigorífico.

Vibración o ruido.

- El suelo puede no ser estable o estar nivelado. >>>Si el frigorífico tiembla cuando lo mueva ligeramente, ajuste las patas para equilibrarlo. Asegúrese de que el suelo esté nivelado y sea capaz de soportar el frigorífico.
- Los objetos colocados en el frigorífico pueden causar ruido. >>>Retire los objetos del frigorífico.

Hay ruidos que provienen del frigorífico como el derrame de líquido o la pulverización.

- Los flujos de líquidos y gases se producen de acuerdo con los principios de funcionamiento del frigorífico. >>>Esto es normal y no es una falla.

Se escucha un silbido en el frigorífico.

- Hay ventiladores que se utilizan para enfriar el frigorífico. Esto es normal y no se trata de ninguna avería.

La humedad se acumula en las paredes internas del frigorífico.

- El clima caluroso y húmedo aumenta la formación de hielo y la condensación. Esto es normal y no se trata de ninguna avería.
- Es posible que las puertas se hayan abierto con frecuencia o se hayan dejado entreabiertas durante mucho tiempo. >>>No abra las puertas con demasiada frecuencia. Cierre las puertas en caso de que estén abiertas.
- La puerta puede haberse dejado entreabierta. >>>Cierre la puerta completamente.

La humedad se produce en la superficie exterior del frigorífico o entre las puertas.

- El aire podría estar húmedo. Esto es bastante normal en climas húmedos. >>>La condensación desaparecerá cuando el nivel de humedad disminuya.
- Puede haber condensación externa en la sección entre dos puertas del frigorífico si se usa el aparato raramente. Esto es normal. La condensación desaparecerá con el uso frecuente.

Hay un mal olor dentro del frigorífico.

Solución de problemas

- Es posible que no se haya realizado una limpieza regular. Limpie el interior del frigorífico con una esponja, agua tibia o agua con gas.
- Algunos recipientes o materiales de embalaje pueden causar el olor. >>> Usa otro recipiente, o materiales de embalaje de otra marca.
- Los alimentos pueden haber sido colocados en el frigorífico en recipientes sin tapa. >>> Almacene los alimentos en recipientes cerrados. Los microorganismos emitidos por los vasos sin cubierta pueden causar olores desagradables.
- Saque los alimentos caducados o estropeados del frigorífico.

La puerta no puede cerrarse.

- Los paquetes de alimentos pueden impedir que la puerta se cierre. >>> Reubique los paquetes que obstruyen la puerta.
- El frigorífico puede ser inestable en el suelo. >>> Ajuste las patas del frigorífico según sea necesario para mantener el frigorífico en equilibrio.
- El suelo puede no estar nivelado o sólido. >>> Asegúrese de que el suelo esté nivelado y tenga capacidad para soportar el frigorífico.

Los cajones de verduras están atascados.

- Los alimentos pueden estar tocando la pared superior del cajón. >>> Reorganizar los alimentos en el cajón.

Si la superficie del aparato está caliente.

Se pueden observar altas temperaturas entre las dos puertas, en los paneles laterales y en la parrilla trasera mientras el aparato está en funcionamiento. Esto es normal y no requiere mantenimiento!

El ventilador sigue funcionando cuando la puerta está abierta.

El ventilador puede seguir funcionando cuando la puerta del congelador está abierta.



ADVERTENCIA: Si no puede eliminar el problema aunque siga las instrucciones de esta sección, consulte a su distribuidor o al proveedor de servicios autorizado. No intente nunca reparar un aparato que funcione mal.

EN

ES

SV

NO

FI

DA

PT

EL

DISCLAIMER / WARNING

Some (simple) failures can be adequately handled by the end-user without any safety issue or unsafe use arising, provided that they are carried out within the limits and in accordance with the following instructions (see the "Self-Repair" section).

Therefore, unless otherwise authorized in the "Self-Repair" section below, repairs shall be addressed to registered professional repairers in order to avoid safety issues. A registered professional repairer is a professional repairer that has been granted access to the instructions and spare parts list of this product by the manufacturer according to the methods described in legislative acts pursuant to Directive 2009/125/EC.

However, only the service agent (i.e. authorized professional repairers) that you can reach through the phone number given in the user manual/warranty card or through your authorized dealer may provide service under the guarantee terms. Therefore, please be advised that repairs by professional repairers (who are not authorized by Grundig) shall void the guarantee.

Self-Repair

Self-repair can be done by the end-user with regard to the following spare parts: door handles, door hinges, trays, baskets and door gaskets (an updated list is also available in support.grundig.com as of 1st March 2021).

Moreover, to ensure product safety and to prevent risk of serious injury, the mentioned self-repair shall be done following the instructions in the user manual for self-repair or which are available in support.grundig.com. For your safety, unplug the product before attempting any self-repair.

Repair and repair attempts by end-users for parts not included in such list and/or not following the instructions in the user manuals for self-repair or which are available in support.grundig.com, might give rise to safety issues not attributable to Grundig, and will void the warranty of the product.

Therefore, it is highly recommended that end-users refrain from the attempt to carry out repairs falling outside the mentioned list of spare parts, contacting in such cases authorized professional repairers or registered professional repairers. On the contrary, such attempts by end-users may cause safety issues and damage the product and subsequently cause fire, flood, electrocution and serious personal injury to occur.

By way of example, but not limited to, the following repairs must be addressed to authorized professional repairers or registered professional repairers: compressor, cooling circuit, main board, inverter board, display board, etc.

The manufacturer/seller cannot be held liable in any case where end-users do not comply with the above.

The spare part availability of the refrigerator that you purchased is 10 years.

During this period, original spare parts will be available to operate the refrigerator properly

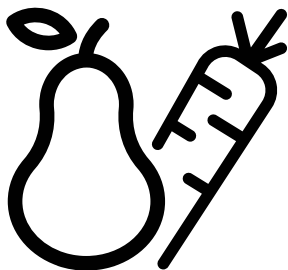
The minimum duration of guarantee of the refrigerator that you purchased is 24 months.

Este producto está equipado con una fuente de iluminación de la clase energética "G".

La fuente de iluminación de este producto sólo debe ser sustituida por reparadores profesionales.

GRUNDIG

Kylskåp
Bruksanvisning
Kjøleskap
Bruksanvisning



GSBS23340FXPN



1- Säkerhetsföreskrifter	2	6. Använda produkten	22
 1.1 Avsedd användning	2	6.1 Indikatorpanel.....	22
 1.2 - Säkerhet för barn, utsatta människor och husdjur ..	2	6.2 Deodorisermodul	25
 1.3 - Elsäkerhet	3	6.3 Fuktkontrollerad grönsaksavdelning.....	25
 1.4 - Transportsäkerhet.....	4	(FreSHelf)	25
 1.5 - Installationssäkerhet	4	6.4 Blue light/ Vitamin Care Teknik.....	26
 1.6 - Användarsäkerhet	5	6.5 Använda vattenfontänen ..	26
 1.7- Säkerhet vid underhåll och rengöring.....	8	6.6 Fylla på vattentanken till vattenfontänen	27
 1.8- HomeWhiz	8	6.7 Rengör vattentanken.....	28
 1.9- Belysning	8	6.8 Mjolkprodukt (kallförvaring) fack.....	28
2 Miljöanvisningar	9	6.9 Grönsaksfack	28
2.1 Överensstämmelse i enlighet med WEEE-direktivet och avyttring av avfallsprodukter:	9	6.10 Joniserare	28
2.2 Överensstämmelse med RoHS-direktivet:	9	6.11 Dofffilter	29
2.3 Förpackningsinformation	9	6.12 Ismaskin och isförvaringslåda	29
3. Ditt kylskåp	10	6.13 Ta is/vatten	30
4. Installation	11	6.14 Droppbricka	31
4.1 Rätt installationsplats	11	6.15 Is-maskinen	31
4.2 Installation av plastkilar	11	6.16 Frysning av färskmat	33
4.3 Justering av fötterna.....	12	6.17 Rekommendationer för frysta livsmedel.....	34
4.4 Elanslutning	13	6.18 Djupfrys-information	34
5 Förberedelse	20	6.19 Placera maten	35
5.1 Energibesparande åtgärder	20	6.20 Varning vid öppen dörr.....	35
5.2 Första användning.....	21	6.21 Upplysningslampa.....	35
		7 Underhåll och rengöring	36
		7.1 Rostfria utsidor	37
		7.2 Rengöring av produkter med glasdörrar	37
		7.3 Förhindra dålig lukt	37
		7.4 Skydda plastytor	38
		8. Felsökning	38

Bästa kund!

Läs i denna manual innan du använder produkten.

Tack för att du valt denna produkt. Vi skulle vilja att du uppnår optimal effekt av denna högkvalitativa produkt som har tillverkats enligt den senaste tekniken. För att kunna göra detta, läs noggrant igenom denna manual och all annan information du erhållit innan du börjar att använda produkten och spara all dokumentation för framtida referens.

Följ all information och alla varningar i denna användarmanual. På så sätt skyddar du dig själv och produkten mot eventuella faror som kan uppkomma.

Spara denna användarmanual. Inkludera denna bruksanvisning tillsammans med produkten om du överlåter den till någon annan person.

v



Risker som kan leda till dödsfall eller skador.





OBS! Risker som kan förorsaka materiella skador eller på miljön



Viktig information och användbara tips.



Läs igenom denna manual.

 INFORMATION	
 ENERG 	.Modellinformationen, som är lagrad i produkt databasen, kan nås från webbsidan och genom att söka för modellidentifikationen (*), som finns i energimärkningen. https://eprel.ec.europa.eu/
<small>SUPPLIER'S NAME</small> 	

EN

ES

SV

NO

FI


DA


PT


EL


1- Säkerhetsföreskrifter

- Denna sektion innehåller säkerhetsföreskrifter, som hjälper till att skydda dig från person- eller egendomsskador.
- Vårt företag kan inte hållas ansvarig för skador, som uppstått av att dessa instruktioner inte följts.

 Installationen och reparationer måste alltid utföras av tillverkaren, auktoriserad serviceagent eller av importören utsedd kvalificerad person.

 Använd bara originaldelar och utrustning.

 Reparera eller byt inte ut någon del av produkten, om det inte har angivits i användarhandboken.

 Utför inga tekniska ändringar av produkten.

1.1 Avsedd användning

- Denna produkt är inte lämpad för kommersiell bruk och får inte användas utanför avsedd användning.

Produkten är avsedd att användas i hus och inomhus.

Till exempel:

- personalkök i butiker, kontor eller annan arbetsmiljö,
- bondgårdar,
- utrymmen som brukas av gäster i hotell, motell och annan typ av boende,
- Bed&breakfast typ av hotell, pensionat,
- Catering och liknande icke-återförsäljningsapplikationer.

Denna produkt får inte användas utomhus med eller utan tak över den, som i båtar, balkonger eller terrasser. Utsätt inte produkten för regn, snö, sol eller vind.

Detta medför brandfara!

1.2 - Säkerhet för barn, utsatta människor och husdjur

- Denna produkt kan användas av minst 8-åriga barn och personer med begränsad fysisk, sensorisk eller mental kapacitet, eller som saknar erfarenhet eller kännedom förutsatt, att de är övervakade eller utbildade till att använda produkten på ett säkert sätt och förstår riskerna med detta.
- Barn mellan 3 - 8 år kan fylla in och ta bort frysta varor.
- Elprodukter är farliga för barn och husdjur. Barn och husdjur

får inte leka, klättra på eller gå in i produkten.

- Barn får inte rengöra eller underhålla produkten utan övervakning.
- Håll förpackningsmaterialet oåtkomligt för barn. Detta medför fara för personskada eller kvävning!
- Innan gammal eller obrukbar produkt kasseras:
 1. Koppla ur produkten genom att dra ur kontakten.
 2. Klipp av strömkabeln och ta bort den från produkten med kontakten.
 3. Ta inte bort hyllor eller lådor ur produkten, så att det blir svårare för barn att komma in i produkten.
 4. Ta bort dörrarna.
 5. Håll produkten alltid så, att den inte kan falla omkull.
 6. Låt inte barnen leka med den gamla produkten.
- Kassera inte produkten genom att kasta den i eld. Detta medför explosionsfara!
- Om produktens dörr är försedd med lås, ska nyckeln hållas oåtkomlig för barn.

1.3 - Elsäkerhet

- Produkten måste kopplas ur under installations-,

underhålls-, rengörings-, reparationsarbeten och vid transport.

- Om strömkabeln är skadad, måste en av tillverkaren utsedd kvalificerad person, auktoriserad serviceagent eller importören byta den för att undvika möjliga faror.
- Se till, att strömkabeln inte är klämd under eller bakom produkten. Placera inte tunga föremål på strömkabeln. Strömkabeln får inte böjas, klämmas ihop eller komma i kontakt med värmekällor.
- Använda inte förlängningsladdar, grenuttag eller adaptorer med produkten.
- Bärbara grenuttag och strömkällor kan överhettas och orsaka brand. Ställ därför inte grenuttag bakom eller nära produkten.
- Kontakten måste vara lätt att nå. Om detta inte är möjligt, måste elinstallationen, till vilken produkten är ansluten, innehålla en enhet (t ex. säkring, strömbrytare osv.), som följer elektriska föreskrifter och kopplar ifrån alla poler från nätet.
- Rör inte strömkontakten med blöta händer.

- Koppla ur kontakten från vägguttaget från kontakten, inte kabeln.

1.4 - Transportsäkerhet

- Produkten är tung, flytta inte den ensam.
- Håll inte i dörren, när produkten flyttas.
- Se till, att kylsystemet eller rören inte skadas under transporten. Om rören skadats, använd inte produkten och kontakta auktoriserad serviceagent.

1.5 - Installationssäkerhet

- Be en auktoriserad serviceagent att installera produkten. För att sätta produkten färdig för användning, läs informationen i bruksanvisningen och se till att el- och vatteninstallationerna finns att tillgå. Om så inte är fallet, kontakta kvalificerad elektriker eller rörmokare för att installera dessa. Annars finns fara för elstöt, brand, problem med produkten eller personskada!
- Kontrollera innan installation, om produkten är skadad. Om

den är skadad, installera inte den.

- Placera produkten på en ren, jämn och hård yta och balansera den med de justerbara fötterna. Annars kan produkten falla och orsaka personskador.
- Installationsplatsen måste vara torr och väl ventilerad. Använd inte mattor eller andra liknande föremål under produkten. Otillräcklig ventilation kan orsaka brandfara!
- Täck inte över ventilationshålen. Detta kan leda till ökad strömförbrukning och produkten kan skadas.
- Produkten får inte anslutas till försörjningsystem, så som solenergiållor. Annars kan produkten skadas av plötsliga spänningsförändringar!
- Ju mer kylmedel kylskåpet innehåller, desto större måste installationsplatsen vara. Om installationsplatsen är för liten, ackumuleras brandfarlig blandning av kylmedel och luft, om det finns en kylmedelsläckage i kylsystemet. Krävd yta för varje 8 gram av kylmedel

är 1 m³. Kylmedelsmängden i produkten är indikerad i typetiketten.

- Produkten får inte placeras exponerad till direkt solljus och hållas på avstånd till värmekällor, så som kokplattor, värmeelement osv.

Om produkten måste installeras nära en värmekälla, måste en passande isoleringsskiva placeras mellan dem och följande minimiavstånd till värmekällan hållas:

- Minst 30 cm ifrån värmekällor, så som kokplatta, ugn, värmeenhet eller spis,

- Minst 5 cm ifrån elspisar.

- Produktens skyddsklass är Typ I. Anslut produkten i en jordad vägguttag vars spänning, ström och frekvens överensstämmer med vad som angetts i produktens typetikett. Väggtaget måste vara försedd med en 10 A – 16 A strömbrytare. Vårt företag kan inte hållas ansvarig för skador, som sker när produkten används utan jordning och elanslutning, som inte följer lokala och nationella regler.
- Produkten får inte vara ansluten under installationen. Detta medför risk för elstöt eller personskada!

- Anslut inte produkten i vägguttag, som är lösa, fel placerade, skadade, smutsiga, oljiga eller kan komma i kontakt med vatten.

- Placera produktens strömkabel och slangar (om finns) så, att man inte kan snava på dem.

- Exponering av strömförande delar eller strömkabeln till fukt kan orsaka kortslutning. Installera därför inte produkten på platser, som garage eller tvättstuga, där fuktigheten är hög och vatten kan stänka. Om kylskåpet blöts ner av vatten, koppla ur den och kontakta auktoriserad serviceagent.

- Anslut aldrig kylskåpet i energisparenheter. Dessa system kan skada produkten.

1.6 - Användarsäkerhet

- Använd aldrig kemiska lösningsmedel i produkten. Detta medför explosionsfara!
- Om produkten inte fungerar ordentligt, koppla ur den och använd den inte innan en auktoriserad serviceagent har lagat den. Det finns risk för elstöt!

- Placera inte öppna lågor (tända ljus, cigaretter osv.) på eller nära produkten.
- Klättra inte på produkten. Den kan falla och leda till personskada!
- Skada inte kylsystemets rör med vassa eller penetrerande föremål. Kylmedlet, som kan spruta ut när kylmedelsrören, rörförlängningarna eller ytskiktet punkteras kan leda till hudirritation eller ögonskada.
- Om tillverkaren inte har rekommenderat det, placera eller använd inte elapparater i kylskåpet/frysfacket.
- Akta att dina händer eller andra kroppsdelar fastnar i rörliga delar inne i produkten. Akta att dina fingrar inte kläms mellan dörren och kylskåpet. Var försiktig när du öppnar och stänger dörren, speciellt om det finns barn i närheten.
- Ät aldrig glass, iskuber eller fryst mat direkt efter att den tagits ut ur kylskåpet. Detta medför fara för frysskada!
- Rör inte i frysfackets innerväggar, metalldelar eller förvarad fryst mat med blöta händer. Detta medför fara för frysskada!
- Placera inte konservburkar eller flaskor, som innehåller kolsyrade drycker eller frysbara vätskor i frysfacket. Burkar och flaskor kan spricka. Detta medför fara för personskada eller materialskador!
- Placera eller använd inte brandfarliga sprayer, material, torris, kemiska substanser eller motsvarande värmesensitiv material nära kylskåpet. Detta medför brand- och explosionsfara!
- Förvara inte explosiv material, som innehåller brandfarlig material, så som sprayburkar, i produkten.
- Placera inte vätskefyllda behållare på produkten. Vattenstänk på eldelar kan orsaka elstöt eller brandfara.
- Denna produkt är inte avsedd till förvaring av medicin, blodplasma, laboriepreparat eller motsvarande medicinska substanser och produkter enligt Medicinproduktsdirektivet.
- Användning av produkten mot dess avsedda syfte kan skada eller förstöra produkterna

- som förvaras i den.
- Om kylskåpet är försedd med blå ljus, titta inte på detta ljus med optiska apparater. Titta inte direkt i UV LED-lampan långa perioder. Ultraviolet ljus kan skada ögonen.
 - Överbelasta inte produkten. Föremål i kylskåpet kan falla ner när dörren öppnas, och orsaka personskada eller andra skador. Samma problem kan uppstå, om föremål placeras på produkten.
 - För att undvika personskador, kontrollera, att all is och vatten som kan ha spillts på golvet har torkats upp.
 - Byt plats på hyllor/flaskhållare i kylskåpsdörren bara, när de är tomma. Detta medför fara för personskada!
 - Placera inte föremål, som kan falla över på produkten. Dessa föremål kan falla ner, när dörren öppnas och orsaka person- och/eller materialskador.
 - Slå eller tryck inte hårt på glasytorna. Sprucken glas kan orsaka person- och/eller materialskador.

- Produktens kylsystem innehåller R600a kylmedel: Kylmedelstypen i produkten är indikerad i typetiketten. Denna kylmedel är brandfarligt. Se därför till, att kylsystemet eller rören inte skadas under användning. Om rören är skadade:
 - Rör inte i produkten eller strömkabeln.
 - Håll potentiella eldkällor, som kan antända produkten, på avstånd.
 - Ventilera produktens installationsplats. Använd inte fläktar.
 - Kontakta auktoriserad serviceagent.

- Om produkten är skadad och kylmedelsläckage upptäcks, håll dig på avstånd till kylmedlet. Kylmedlet kan ge köldskador vid hudkontakt.

För produkter med vatten-/ismaskin

- Använd bara kranvatten. Fyll inte vattenbehållaren med vätskor, så som fruktjuice, mjölk, kolsyrade eller alkoholhaltiga drycker - som inte är lämpade att använda i vattenmaskinen.
- Detta medför hälso- och säkerhetsfara!

- Låt inte barn leka med vatten- ismaskinen (Icematic) för att förhindra olyckor och personsador.
- Sätt inte fingrar eller andra föremål i vattenmaskinens hål, vattenkanal eller ismaskinens behållare. Detta medför fara för person- eller materialsador!

1.7- Säkerhet vid underhåll och rengöring

- Flytta inte produkten från dess handtag vid rengöring. Handtaget kan gå sönder, om den belastas hårt.
- Spruta eller håll inte vatten på eller in i produkten för rengöringssyften. Detta medför fara för brand och elstöt!
- Använd inte vassa eller frätande verktyg vid rengöring av produkten. Använd inte hushållsprodukter, tvättmedel, gaser, bensin, lösningsmedel, alkohol osv.
- Använd bara rengörings- och underhållsprodukter, som inte är skadliga för mat.
- Använd aldrig ånga eller ångtvätt till att rengöra eller avfrostas produkten.

Ånga kan komma i kontakt med strömförande delar i kylskåpet, och orsaka kortslutning eller elstöt!

- Se till, att vatten inte kommer i kontakt med produktens elektronikkrets eller belysningsdelar.
- Använd bara ren och torr duk till att ta bort främmande material eller damm från kontaktens stift. Använd inte blöt eller fuktig duk till rengöring av kontakten. Detta medför fara för brand och elstöt!

1.8- HomeWhiz

- När produkten används genom HomeWhiz-appen, måste säkerhetsvarningarna åtföljas, fast du är långt ifrån produkten. Även varningarna i applikationen måste åtföljas.

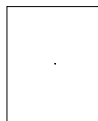
1.9- Belysning

- Be auktoriserad serviceföretag byta belysningens LED/ glödlampa.

2 Miljöanvisningar

2.1 Överensstämmelse i enlighet med WEEE-direktivet och avyttring av avfallsprodukter:

Denna produkt är i överensstämmelse med WEEE-EU-direktivet (2012/19/EU). Den här produkten har klassifikationssymbolerna för elektriskt avfall och elektronisk utrustning (WEEE).



Denna symbol indikerar att produkten inte får slängas med vanligt hushållsavfall när den tjänat ut. Använd enhet måste återvinnas på återvinningsstation för elektroniska enheter. För att hitta sådana stationer kontaktar du kommunen eller återförsäljaren av produkten. Alla hushåll spelar en viktig roll vad det gäller att återvinna gamla apparater. Lämplig hantering av uttjänt enhet hjälper till att förebygga eventuella negativa konsekvenser på miljön och människors hälsa.

2.2 Överensstämmelse med RoHS-direktivet:

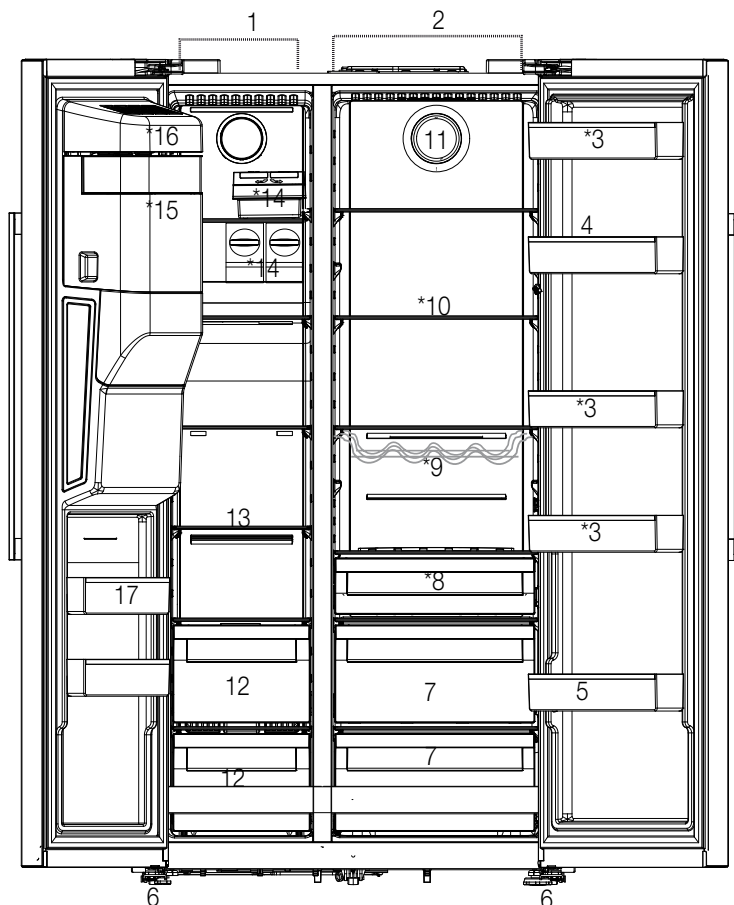
Denna produkt är i överensstämmelse med EUs RoHS-direktiv (2011/65/EU). Den innehåller inte skadliga och förbjudna material som anges i direktivet.

2.3 Förpackningsinformation



Förpackningsmaterialet är tillverkat av återvunna material i överensstämmelse med vår nationella miljöregler. Släng inte förpackningsmaterialet i vanligt hushållsavfall eller med andra sopor. Ta allt material till en återvinningsstation för förpackningsmaterial såsom angivits av de lokala myndigheterna.

3. Ditt kylskåp



- | | |
|---------------------------------------|--|
| 1. Frysack | 11. Fläkt |
| 2. Kylfack | 12. Fack för förvaring av frysta livsmedel |
| 3. Dörrhyllor för kylfack | 13. Dörrhyllor för frysack |
| 4. Ägghållare | 14. Ismaskin |
| 5. Flaskhylla | 15. Isförvaringslåda |
| 6. Justerbara ställ | 16. Ismaskineens dekorativa lock |
| 7. Sval | 17. Dörrhyllor för frysack |
| 8. Mjölksprodukt (kallförvaring) fack | |
| 9. Flaskhylla | |
| 10. Glashyllor | |

Kanske inte finns i alla modeller



***Valfritt:** Bilderna i den här användarmanualen är schematiska och inte nödvändigtvis exakt så som på produkten. Om din produkt inte innehåller de relevanta delarna, kommer informationen att gälla andra modeller.

4. Installation

4.1 Rätt installationsplats



Läs avsnittet "Säkerhetsinstruktioner" först!

Denna produkt kräver tillräcklig luftcirkulation för att fungera effektivt. Om produkten placeras i en alkov, måste minst 5 cm mellanrum lämnas mellan produkten och tak, bak- och sidoväggar.

Om produkten placeras i en alkov, måste minst 5 cm mellanrum lämnas mellan produkten och tak, bak- och sidoväggar. Kontrollera om baksidan avståndsskyddskomponent är på plats (om levererad med produkten). Om komponenten inte är tillgänglig, eller den har tappats bort eller ramlat av, placera produkten så, att minst 5 cm mellanrum finns mellan produktens baksida och rummets vägg. Avståndet på baksidan är viktig för produktens effektiva funktion.



WARNING! Använd inte förlängnings- eller grenuttag vid strömanslutningen.



WARNING! Tillverkaren antar inte något ansvar för skador som orsakats av arbete som utförts av icke auktoriserade personer.



WARNING! Produktens strömkabel måste kopplas ur under installationen. Underlåtenhet att inte göra detta kan resultera i dödsfall eller allvarliga skador!



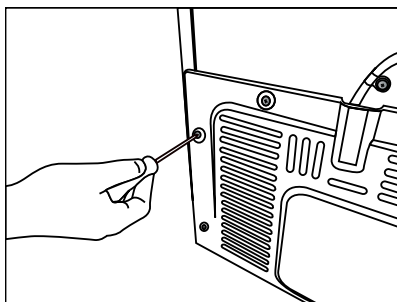
WARNING! Om dörren inte passar produkten, ta bort dörren och vrid produkten på sidan; om det inte fungerar ska du kontakta ett godkänt serviceställe.

- Placera produkten på en plan yta för att undvika vibrationer.
- Placera produkten minst 30 cm ifrån elementet, spisen och liknande värmekällor och minst 5 cm ifrån elektriska ugnar.
- Exponera inte produkten för direkt solljud eller fuktig miljö.
- Produkten kräver rikligt med luftcirkulation för att fungera effektivt. Om produkten kommer placeras i en alkov, kom ihåg att lämna minst 5 cm avstånd mellan produkten, taket och väggarna.

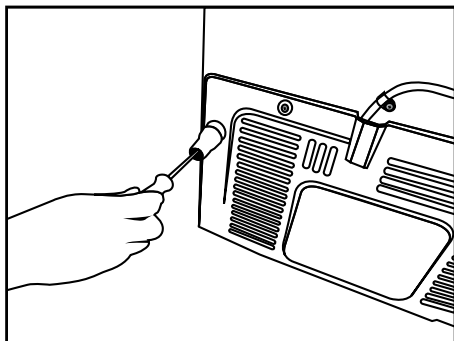
4.2 Installation av plastkilar

Använd plastkilarna som medföljer produkten, för att ge tillräckligt med utrymme för luftcirkulation mellan produkten och väggen.

1. För att fästa kilarna, ta bort skruvarna på produkten och använd skrivarna som lämnas tillsammans med kilarna.

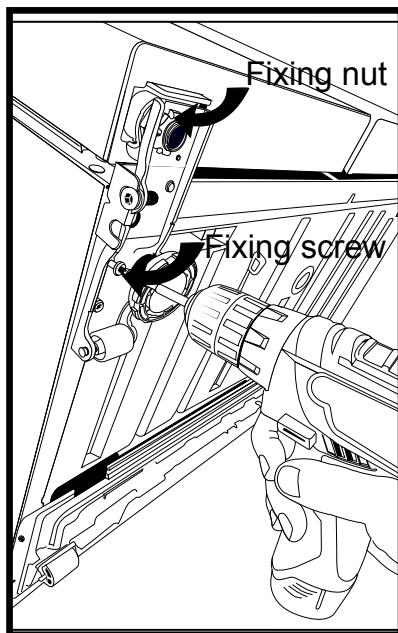
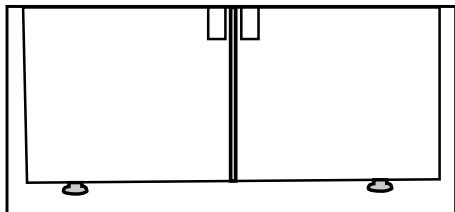


2. Fäst 2 plastkilar på ventilationshättan som visas i bilden.



4.3 Justering av fötterna

Om produkten inte är en balanserad position, justera de justerbara ställen fram, genom om att rotera dem åt höger eller vänster.



Justera dörrarna vertikalt,

- Lossa fixeringsmuttern längst ner
- Skruven justerar muttern (CW/CCW) i förhållande till dörrens position
- Dra åt fixeringsmuttern i slutposition

För att kunna justera dörrarna horisontellt,

- lossas fixeringskruven längst ner
- lossas fixeringskruven högst upp
- lossas fixeringskruven (CW/CCW) på sidan i förhållande till dörrens position
- Dra åt fixeringsmuttern högst upp i slutposition
- Dra åt fixeringskruven längst ner

4.4 Elanslutning

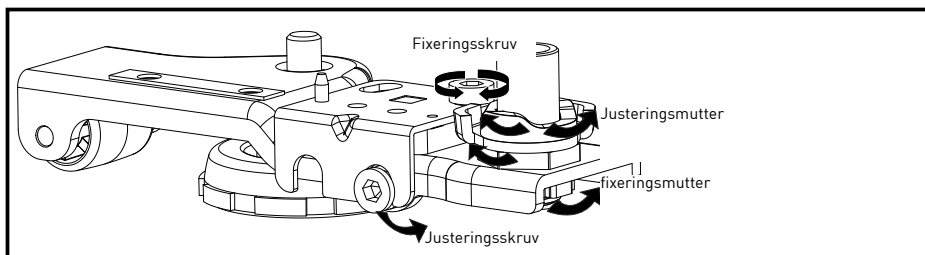


WARNING! Använd inte förlängnings- eller grenuttag vid strömanslutningen.



WARNING! Skadade kablar måste bytas ut av godkänt serviceställe.

- Vår firma kommer inte anta något ansvar för skador som uppkommit på grund av användande utan jordning och strömanslutningar med nationella bestämmelser.
- Strömkabelkontakten måste vara lättåtkomlig efter installationen.



Varning för heta ytor!
Sidorna på kylskåpet är utrustade med avkylningsrör för att förbättra kylsystemet. Högtrycksvätska kan rinna ut här och ge heta sidoväggar. Detta är normalt och är inte något fel som kräver service. Var försiktig när du vidrör dessa ytor.

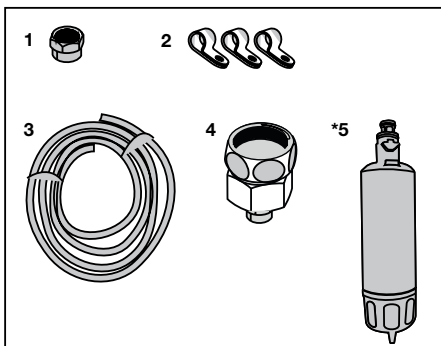
4.5 Vattenanslutning

(Valfritt)



VARNING: Koppla ur produkten och vattenpumpen (om tillgänglig) under anslutningen.

Produktens vattentillförsel, filter och carboy-anslutningar måste renderas av ett godkänt serviceställe. Produkten kan anslutas till en carboy eller direkt till vattenkranen, beroende på modell. För att etablera anslutningen måste vattenslangen först anslutas till produkten.



Kontrollera att följande delar medföljer din produkts modell:

1. Konnektor (1 stk): Används för att fästa vattenslangen till produktens baksida.
2. Slangklämmor (3 stk): Används för att fästa vattenslangen på väggen.
3. Vattenslang (1 stk, 5 meter, diameter 1/4 tum): Används för vattenanslutningen.
4. Kranadapter (1 stk): Består av ett proöst filter, används

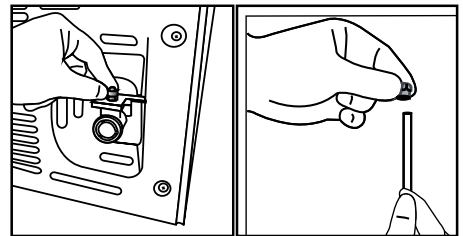
för anslutning till kallvattenledning.

5. Vattenfilter (1 stk *Valfritt): Används för att ansluta vattenledningen till produkten. Vattenfiltret krävs inte om carboy-anslutning finns tillgänglig.

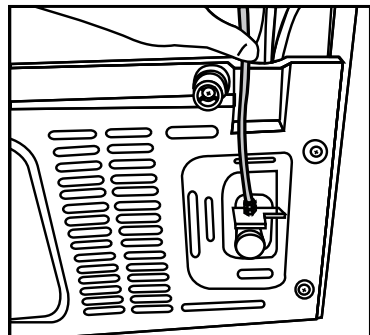
4.6 Anslutning av vattenslang till produkten

För att ansluta vattenslangen till produkten, följ instruktionerna nedan.

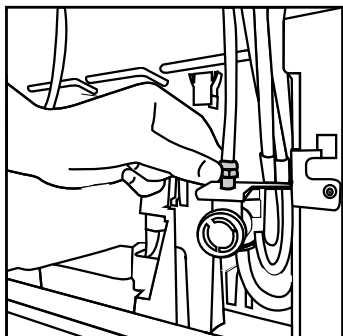
1. Ta bort konnektorn på slangmunstyckesadaptorn, bak på produkten och kör slangen igenom konnektorn.



2. Tryck vattenslangen sammantryckt nedåt och anslut den till slangmunstyckesadaptorn.



3. Dra åt konnektorn manuellt för att fästa slangmunstycke-sadaptern. Du kan också dra åt konnektorn med hjälp av en rör-skiftnyckel eller tång.



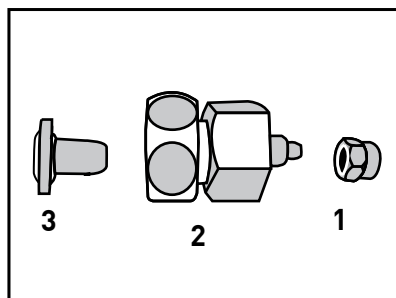
4. Anslut den andra änden av slangen till vattenledningen (se avsnitt 4.7) eller använd carboy, för vattenpumpen (se avsnitt 4.8).

4.7 Anslutning till vattenledning

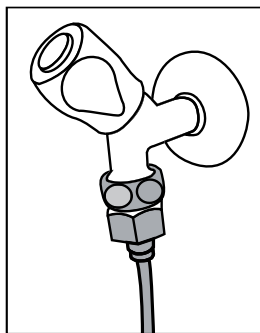
(Valfritt)

För att använda produkten genom att ansluta till kallvattenledningen, använd en standard-ventilkonnektor på 1/2", installera den till kallvattenledning i ditt hem. Om konnektorn inte är tillgänglig eller om du är osäker, rådfråga en utbildad rörmokare.

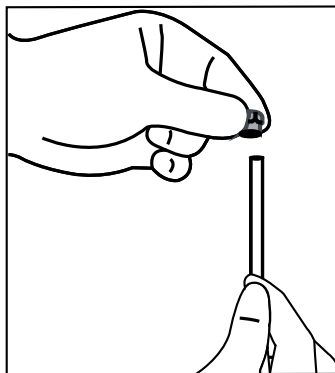
1. Lossa på konnektor (1) ifrån kranadaptern (2).



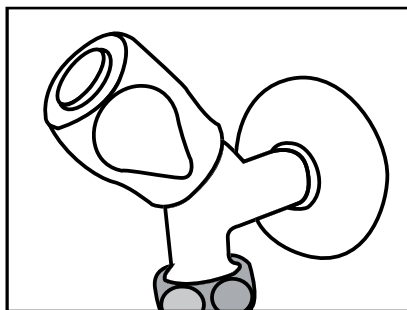
2. Anslut kranadaptern till vattenventilen.



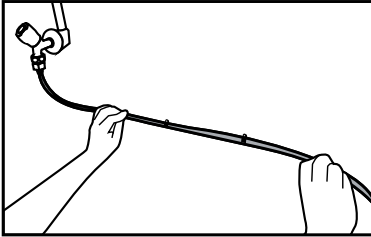
3. Fäst konnektorn runt vattenslangen.



4. Fäst konnektorn till kranadaptern och dra åt för hand/ eller med verktyg.

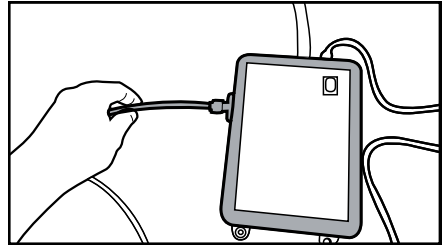


5. För att undvika skador, rörelse, eller oavsiktlig bortkoppling av slangen, använd klämman som medföljer för att fästa vattenslangen på ett lämpligt sätt.

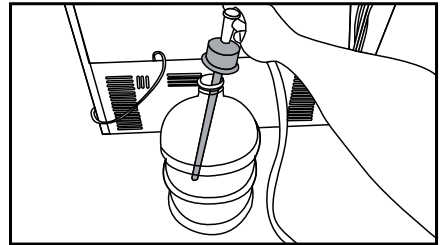


WARNING: Efter att du vridit igång kranen, säkerställ att inte något vatten läcker ut på någon ände av vattenslangen. Om en läcka uppstår, vrid av ventilen och dra åt alla anslutningar med en rörskiftnyckel eller tång.

2. Anslut den andra änden av vattenslangen till vattenpumpen genom att trycka ner slangen till pumplingslangens intag.



3. Placera och fäst pumplingslangen på insidan av carboy.

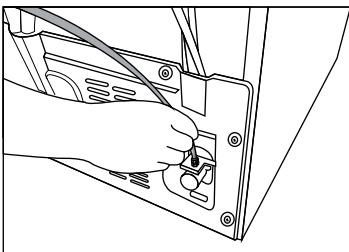


4.8. För produkter som använder vatten-carboy

(Valfritt)

För att använda en carboy till produktens vattenanslutning måste en vattenpump som rekommenderats av godkänt serviceställe användas.

1. Anslut en ände av vattenslangens till produktens vattenanslutning som medföljer pumpen till produkten (se 4.6) och följ instruktionerna nedan.



4. När anslutningen har gjorts, koppla på och starta vattenpumpen.



Vänligen vänta 2-3 minuter efter att du startar pumpen för att nå önskad effekt.



Se även pumpens användarguide för vattenanslutning.



När du använder carboy behövs inget vattenfilter.

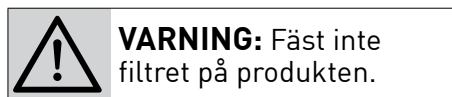
4.9 Vattenfilter

(Valfritt)

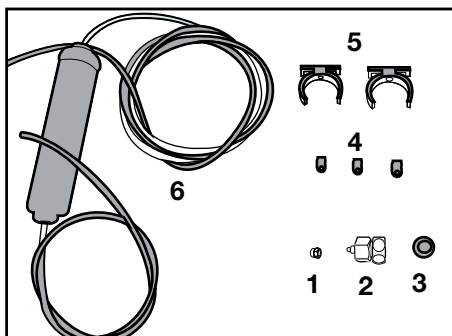
Produkten kan ha interna eller externa filter, beroende på modell.

För att fästa vattenfiltret, följ instruktionerna nedan.

4.9.1. Fästning av externa filter på väggen (Valfritt)



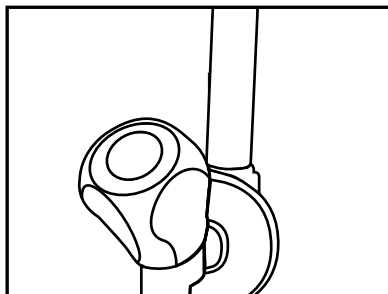
Kontrollera att följande delar medföljer din produkts modell:



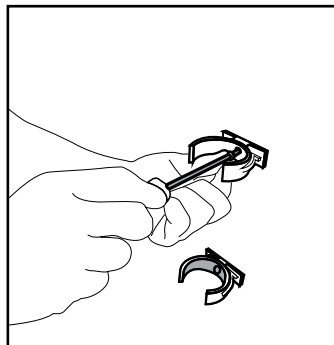
1. Konnektor (1 stk): Används för att fästa vattenslangen till produktens baksida.
2. Kranadapter (1 stk): Används för anslutning av kallvattentillförseln.
3. Poröst filter (1 stk)
4. Slangklämmor (3 stk): Används för att fästa vattenslangen på väggen.
5. Filteranslutningsapparat (2 stk): Används för att fästa filtret på väggen.
6. Vattenfilter (1 stk): Används för att ansluta produkten till vattenledningen. Vattenfilter är inte nödvändigt om carboyanslutning används.

1. Anslut kranadaptern till vattenventilen.

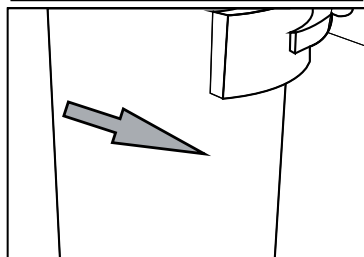
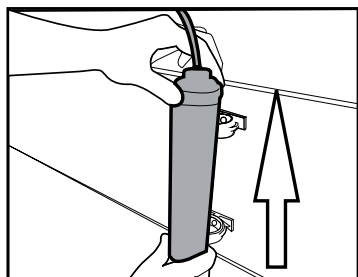
2. Bestäm var du ska fästa det externa filtret. Fäst filtrets anslutningsapparat (5) på väggen.
3. Fäst filtret i upprätt position på filteranslutningsapparaten, som visas på etiketten. (6)



4. Fäst vattenslangen som sticker ut ifrån toppen av filtret, till produktens vattenanslutningsadapter, (se 4.6.)

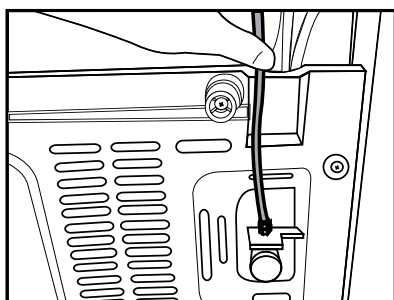


Efter anslutningen är etablerad ska de se ut som på bilden nedan.

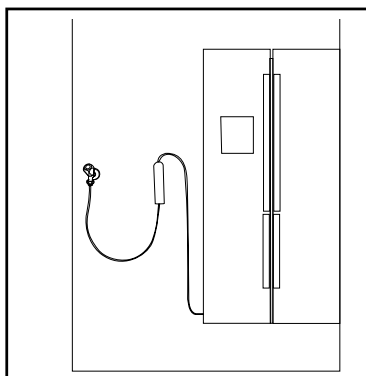


4.9.2. Internfilter

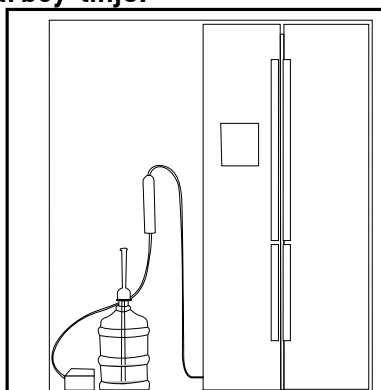
Det interna filtret som medföljer produkten är inte installerat vi leveransen; vänligen följ instruktionerna nedan för att installera filtret.



Vattenlinje:

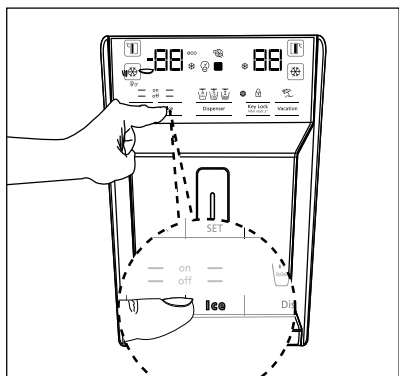


Carboy-linje:

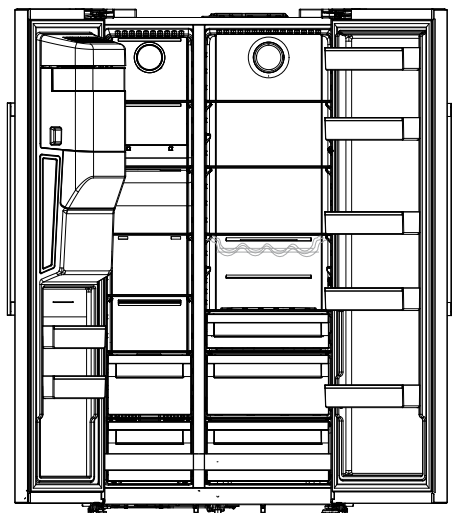


Använd inte första 10 glasen vatten efter att du anslutit filtret.

1. "Ice Off" -indikatorn måste vara aktiv vid installationen av filtret. Växla ON-OFF-indikatorn med hjälp av "Ice"-knappen på skärmen.



2. Ta bort grönsakssoptunnan för att komma åt vattenfiltret.

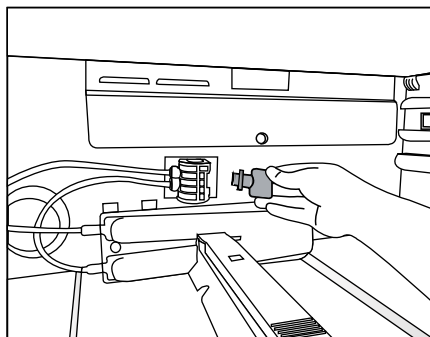


Ta bort vattenfiltrets genomströmningstäckning genom att dra det mot dig.

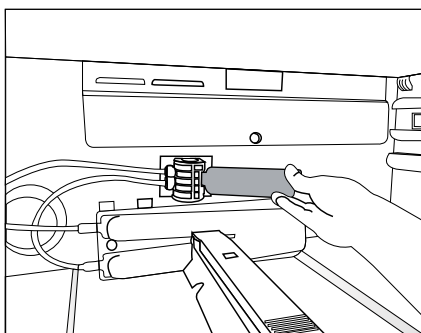


Några droppar vatten kan sippra ut efter att du tagit bort locket; det är normalt.

3. Placera locket till vattenfiltret i maskinen och tryck till för att låsa fast det på plats.



4. Tryck på "Ice"-knappen på skärmen igen för att gå ur läget "Ice Off".



Vattenfiltret kommer rengöra vissa partiklar i vattnet. Det kommer inte rensa ur mikroorganismerna i vattnet.

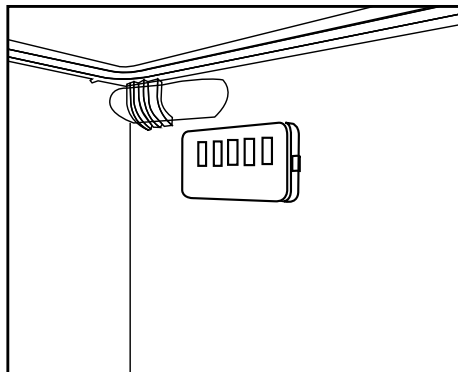
5 Förberedelse

5.1 Energibesparande åtgärder

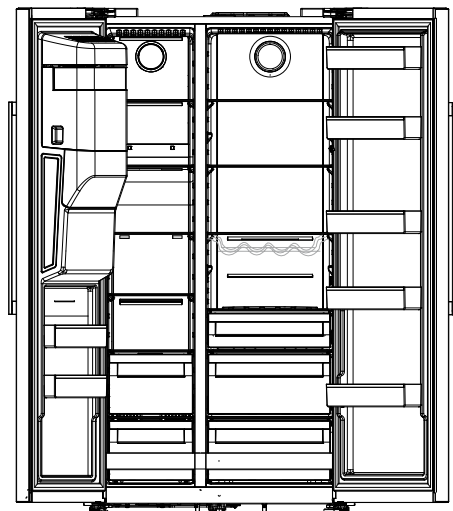


Att ansluta produkten till elektroniskt energisparande system är skadligt, det kan skada produkten.

- Vid fristående enhet, "detta kylskåp är inte avsett att användas som en inbyggd enhet";
 - Ha inte kylens dörrar öppna länge.
 - Placera inte varm mat eller dryck i kylan.
 - Fyll inte kylen; blockering av det interna luftflödet kommer minska kylkapaciteten.
 - Beroende på produktens funktioner; att tina livsmedel i kylfacket kommer att säkerställa energibesparing och bibehålla livsmedelskvalitén.
 - Mat ska ställas in i kylfacken för att säkerställa energibesparing och skydda maten under bättre förhållanden.
 - Kontrollera att livsmedlen inte är i kontakt med kylfackens
- temperatursensorer enligt nedan.



- Eftersom varm och fuktig luft inte direkt kan tränga igenom om inte dörrarna står öppna, kommer förhållandena att optimeras av sig självt för att skydda maten. Med denna energibesparingsfunktion och -komponenter som kompressor, fläkt, uppvärmare, avfrostare, belysning, kontrollpanel och så vidare kommer kylskåpet att förbruka minimalt med energi under tiden som det håller maten fräsch.
- Vid olika alternativ ska dessa glashyllor placeras så att luftutsläppen i bakväggen inte blockeras, så placera dessa ovanför och inte mittför luftutsläppen. Denna kombination hjälper till att förbättra luftcirkulationen och sparar energi.



Det är normalt för fronten på kylan att bli varma. Dessa områden är utformade att bli varma för att förhindra kondensation.



För vissa modeller stängs indikator panelen av automatiskt 1 minuter efter att dörren stängts. Den kommer att åter aktiveras när dörren är öppen eller någon knapp trycks in.

5.2 Första användning

Innan du använder din kyl ska du kontrollera och säkerställa att nödvändiga förberedelser har vidtagits i enlighet med instruktionerna i "Säkerhets- och miljöinstruktioner" samt avsnittet om "Installation".

- Håll produkten igång utan att placera någon mat inuti i 12 timmar och öppna inte dörren, om det inte är absolut nödvändigt.

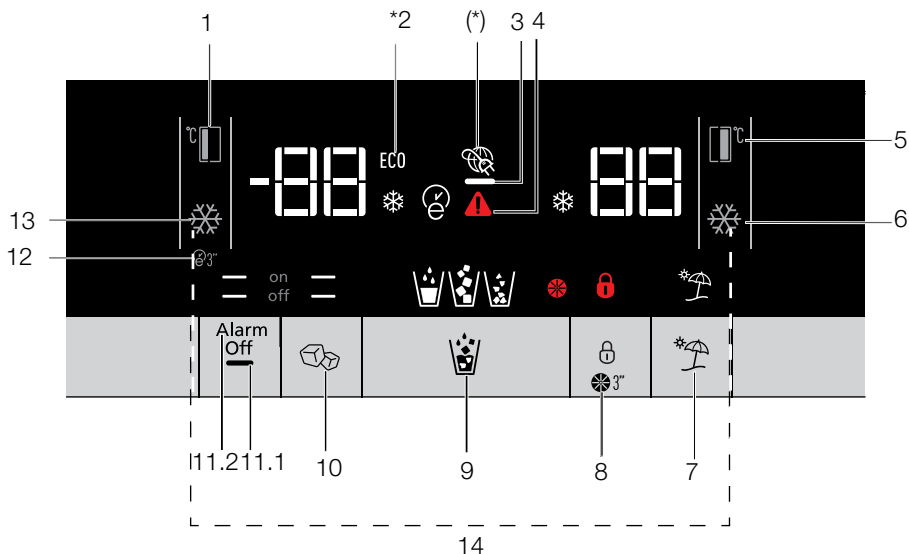


Ett ljud kommer att höras när kompressorn startas. Det är normalt att höra ljud även när kompressorn är inaktiv, på grund av de komprimerade vätskorna och gaserna i kylsystemet.

6. Använda produkten

6.1 Indikatorpanel

Indikatorpaneler kan variera beroende på modellen av din produkt. Ljud- och visuella funktioner för indikatorpanelen kommer assistera dig i användandet av kylen




1. Temperaturinställning för frysack
2. Ekonomiläge
3. Energisparfunktion (display av):
4. Indikator för strömavbrott/hög temperatur/felvarning
5. Temperaturinställning för kylfack
6. Snabbkylning
7. Ledighetsfunktion
8. Knapplås / filterbyte aviseringavbrytning
9. Tillvalen vatten, fragmenterad is, iskuber
10. Istillverkning PÅ/AV
11. Display på/av /Alarm avvarning
12. Autoeco
13. Snabbfrysning
14. Celsius/Fahrenheit byte

*** Kanske inte finns i alla modeller**



*Valfritt Bilderna i den här användarguiden är schematiska och kanske inte exakt efterliknar din produkt. Om din produkt inte innehåller de relevanta delarna, kommer informationen att gälla andra modeller.

1. Temperaturinställning för frysfack

Om du trycker på knappen () är det möjligt att ställa in frysfackstemperaturen på -18,-19,-20,-21,-22,-23,-24,-18...

2. Ekonomiläge


Anger att kylskåpet körs på energisparläge. Denna indikator kommer att vara aktiv om frysfackstemperaturen är inställd på -18 eller om energibesparings kylning utförs av Eko-extrafunktionen. (ECO)

3. Energisparfunktion (display av):

Om produktens dörrar hålls stängda under en längre tid aktiveras energisparfunktionen automatiskt och energisparsymbolen tänds. Om energisparfunktionen är aktiverad släcks alla ikoner på skärmen förutom energisparikonen. När energisparläget är aktivt, och om någon knapp trycks in eller dörren öppnas, kommer energisparläget att avaktiveras och ikonerna på displayen återgår till normalt läge.

Energisparfunktionen aktiveras under leverans från fabriken och kan inte avbrytas.


4. Indikator för strömavbrott/hög temperatur/felvarning

Denna indikator () tänds vid fel temperatur eller felvarningar. Om du ser att denna indikator lyser Den här lampan tänds under strömavbrott, hög temperatur och vid fel. Vid långvariga strömavbrott blinkar den högsta temperatur som frysfacket uppnår


på den digitala displayen. Du ska efter att du kontrollerat maten som finns i frysfacket trycka på knappen för alarm av för att rensa varningen.

Se avsnittet "åtgärder för felsökning" i handboken om du ser att den här indikatorn tänds.

5. Temperaturinställning för kylfack


Efter att ha tryckt på knappen () kan kylfackstemperaturen ställas in på 8,7,6,5,4,3,2 och 1 respektive.


6. Snabbkylning

För snabbkylning, tryck på knappen; detta kommer att aktivera snabbkylningsindikatorn ().


Tryck på knappen igen för att avaktivera denna funktionen. Använd denna funktion när du placerar färskvaror i kylfack eller snabbt vill kyla livsmedel. När den här funktionen är aktiverad körs kylskåpet i 1 timme.

7. Ledighetsfunktion

När ledighetsfunktionen () är aktiv, visar kylfacksindikatorns temperaturindikator "- -" och ingen kylningsprocess kommer att vara aktiv i kylfacket. Det är inte lämpligt att förvara maten i kylfacket när den här funktionen är aktiverad. Andra fack förblir kylda med respektive temperaturer inställda för varje fack.

Tryck på semesterfunktionsknappen igen för att avbryta funktionen. ()

8. Knapplås / Knapplås / filterbyte aviseringavbrytning

Tryck på knappsatslås-knappen () för att aktivera knappsatslåset. Du kan också

använda den här funktionen för att förhindra att kylskåpets temperaturinställningar ändras. Filtret till kylskåpet måste bytas var 6:e månad. Håll hjälpknappen (🔧) intryckt i 3 sekunder för att stänga av filterlarmindikatorn.

9. Tillvalen vatten, fragmenterad is, iskuber

Styr tillvalen vatten (🌊), iskub (🧊) och fragmenterad is (🧊) med hjälp av knapp nummer 8. Den aktia indikatorn förblir tänd.

10. Istillverkning PÅ/AV

Tryck på knappen (🧊) för att avbryta (off —) eller aktivera (on —) is-tillverkning.

11.1 Display på/av

Tryck på knappen (— off) för att avbryta (XX) eller aktivera (— on) visning på / av.

11.2 Alarm av-varning

Om det uppstår ett strömavbrott/ alarm om hög temperatur, ska du efter att du kontrollerat maten som finns i frysfacket trycka på knappen för alarm av för att rensa varningen.

12. Autoeco

Tryck på autoekoknappen (🌱) i 3 sekunder för att aktivera den här funktionen. Om dörren till kylfacket hålls stängd under en längre tid när den här funktionen har valts växlar kylskåpsfacket automatiskt till ett mer ekonomiskt användningsläge. Tryck på knappen igen för att avaktivera denna funktion.

Indikatorn tänds efter 6 timmar när den automatiska miljöfunktionen är aktiverad. (🌱)

13. Snabbfrysning

För snabbfrysning, tryck på knappen; detta kommer att aktivera snabbfrysningsindikatorn (❄️).

När snabbfrysningsfunktionen är på, lyser snabbfrysningsindikatorn upp och frysfackets temperaturindikator visar värdet -27. Tryck på snabbfrysningsknappen (❄️) igen för att avbryta den här funktionen. Snabbfrysningsindikatorn slås av och återgår till normala inställningar. Snabbfrysningsfunktionen kommer att annulleras automatiskt efter 24 timmar, om den inte avbrutits av användaren. För att frysa stora mängder färsk mat, tryck på snabbfrysningsknappen 24 timmar innan du lägger maten i frysfacket.

14. Celsius/Fahrenheit byte

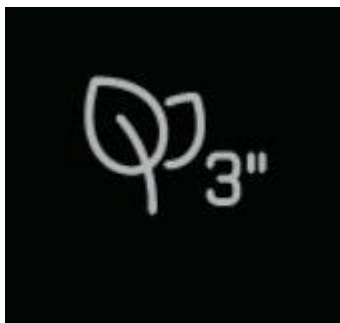
Temperaturvärden kan konverteras mellan Celsius och Fahrenheit genom att trycka på snabbfrysningsknappen (❄️) och snabbkylningsknappen (❄️) i 3 sekunder.

6.2 Deodorisermodul

(OdourFresh +)

* Kanske inte finns i alla modeller

Deodoriser-modulen tar snabbt bort dålig lukt i kylskåpet innan de fastnar i ytor. Tack vare denna modul, som placeras i färskmatfackets tak, löses dålig lukt upp när luften passerar aktivt luktfiltret, och den av filtret reade luften matas tillbaka i färskmatfacket. På detta sätt kan oönskade lukter om kan uppstå under förvaring av livsmedel i kylskåpet elimineras, innan de fastnar på ytor. Detta åstadkoms med hjälp av i modulen integrerade fläkten, LED-lampan och filtren. När du vill använda deodorisermodulen, aktivera den från indikatorknappen.



6.3 Fuktkontrollerad grönsaksavdelning

(FreSHelf)

(Denna funktion är valfritt tillbehör)

Fuktighetsnivån för grönsaker och frukt hålls under kontroll tack vare den fuktighetskontrollerade grönsakslådan och maten är garanterad att hålla sig fräsch längre.

Vi rekommenderar att du placerar bladgrönsaker som sallad och spenat och grönsaker som är känsliga för fuktförlust så horisontellt som möjligt när du lägger dem i grönsakslådan; inte i ett horisontellt läge eller på sina rötter.

När grönsakerna byts ut bör den specifika vikten av grönsakerna beaktas. Tungta och hårda grönsaker bör läggas mot botten av grönsakslådan och lätta och mjuka grönsaker ska placeras överst.

Lämna aldrig grönsakerna inuti grönsakslådan i sina påsar. Om de är kvar i sina plastpåsar, kommer detta att göra att de ruttnar på kort tid. Om du inte vill att grönsaker ska komma i kontakt med andra grönsaker av hygieniska skäl, använd hushållspapper eller liknande material istället för plastpåsar. Placera inte päron, aprikoser, persikor etc, särskilt de frukter som genererar stora mängder av eten, i samma grönsaksfall som andra frukter och grönsaker. Den etylengas som avges av dessa frukter kan orsaka annan frukt att mogna snabbare och ruttna på kortare tid.

6.4 Blue light/ Vitamin Care Teknik

* Kanske inte finns i alla modeller

Blått ljus,

Frukter och grönsaker, som förvaras i crisper-låda och är belyst med blått ljus, fortsätter sin fotosyntes genom det blåa ljusets våglängds effekt, och bevarar med detta sin C-vitaminhalt.

VitaminCare+,

Frukter och grönsaker, som förvaras i crisper-låda och är belyst med VitaminCare+ teknik, bevarar sin A- och C-vitaminhalt längre, på grund av blå, grön och röd ljus och mörka perioder, vilka simulerar dagcykler.

Med denna teknik kan du bevara frukter och grönsaker smakliga och fräscha länge, vilket hjälper att minska matavfallet i hemmet.

Om kylskåpets dörr öppnas under VitaminCare+ teknikens, mörka period, detekterar kylskåpet detta automatiskt och tänds blå, grön eller röd ljus, till att belysa crisper-lådan. När kylskåpsdörren stängs, fortsätter den mörka perioden, vilket representerar nattid i dagcykeln.

6.5 Använda vattenfontänen (Tillval)

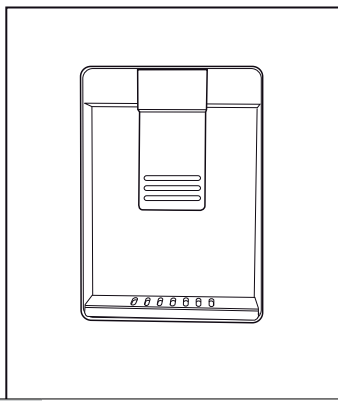


De första glasen vatten som tas ifrån fontänen kommer normalt att vara varma.



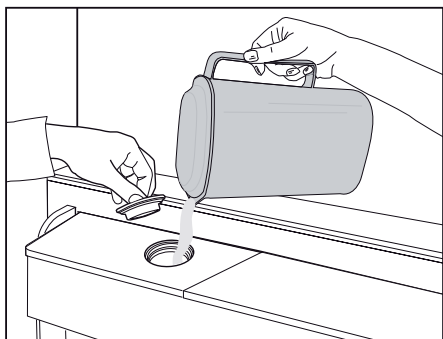
Om vattenfontänen inte används under en längre tid, släng de första glasen vatten för att få rent vatten.

- 1- Tryck på armen till vattenfontänen med dricksglas. Om du har ett plastglas eller -mugg kanske du får använda handen att trycka med istället.



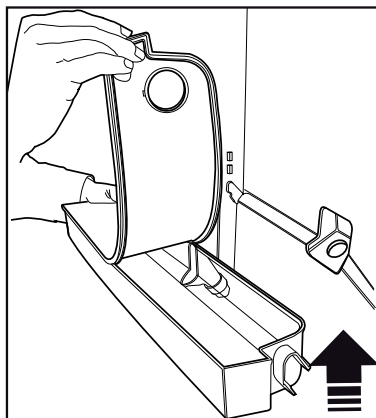
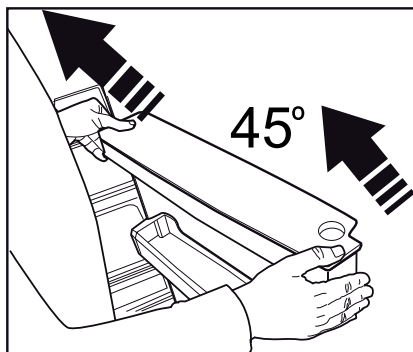
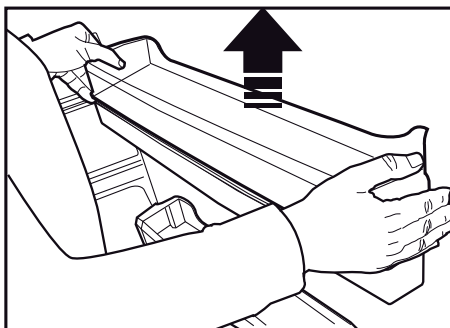
Mängden vatten som rinner från fontänen beror på var på armen du trycker. Lossa trycket på armen sakta när vattnet stiger i glaset/behållaren för att förhindra att det rinner över. Vattnet ska droppa om du trycker på armen försiktigt, detta är normalt och inte något fel.

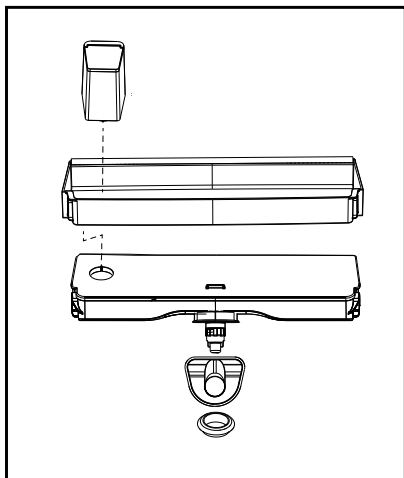
- 2- Släpp armen efter att du fyllt på glaset med så mycket vatten som du önskar.



6.6 Fylla på vattentanken till vattenfontänen

Öppna locket till vattentanken så som visas på bilden. Fyll i rent dricksvatten. Stäng locket.





6.7 Rengör vattentanken

Ta bort vattenpåfyllnadsreservoaren i dörrhyllan.

Ta bort den genom att hålla i båda sidorna av dörr-hyllan.

Håll i båda sidorna av vattentanken och ta bort med en vinkel av 45°.

Ta bort och rengör vattentankens lock.



Fyll inte vattentanken med fruktjuice, kolsyrade drycker, alkoholhaltiga drycker eller någon annan vätska som inte är kompatibel med användande av vattenfontänen. Att använda sådana vätskor kan orsaka fel och oreparerbara skador på vattenfontänen. Att använda vattenfontänen på detta sätt täcks inte av garantin. Sådana särskilda kemikalier och tillsatser i drycker/vätskor kan orsaka materiell skada på vattentanken.



Vattentankens och vattenfontänens komponenter kan inte tvättas i diskmaskinen.



Vattentankens och vattenfontänens komponenter kan inte tvättas i diskmaskin.

6.8 Mjolkprodukt (kallförvaring) fack

* Kanske inte finns i alla modeller

”Mjolkprodukt (kallförvaring) facket” ger lägre temperatur inuti kylskåpsfacket. Använd detta fack till att förvara delikatesser (salami, korv, mjolkprodukter osv.), som kräver lägre förvaringstemperatur eller kött-, kycklings- eller fiskprodukter för omedelbar konsumtion. Förvara inte frukt och grönsaker i detta fack.

6.9 Grönsaksfack

Kylens grönsaksfack är till för att hålla grönsakerna fräscha genom att ha fuktighet. Av denna anledning är den generella kallluftscirkulationen intensifierad i grönsaksfacket. Ha frukt och grönsaker i det här facket. Håll grönbladiga växter och övriga grönsaker separerade för att förlänga deras hållbarhet.

6.10 Joniserare

(Tillval)

Joniseringssystemet i kylfackens luftventiler joniserar luften. Den negativa jonemissionen kommer eliminera bakterier och andra molekyler som skapar odörer i luften.

6.11 Dofffilter

(Tillval)

Dofffiltret i kylfackets luftventilation förhindrad oönskade dofter ifrån att skapas.

EN

ES

SV

NO

Fi

DA

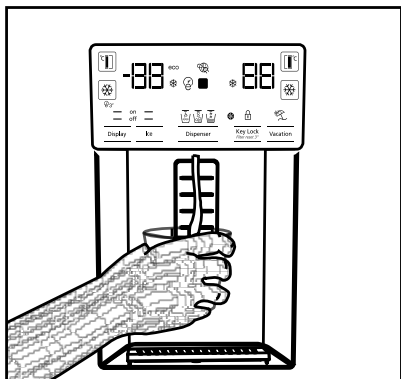
PT

EL

6.12 Ta is/vatten

(valfritt)

För att ta vatten (☺) / iskuber (☹) / fragmenterad is (☹) använd skrämman för att välja respektive alternativ. Ta vatten/ is genom att trycka utlösaren på vattenfontänen framåt. När du växlar mellan alternativen is kub (☹) / fragmenterad is (☹) kommer föregående istyp att komma ut några sekunder.



- Du måste vänta ungefär 12 timmar innan du tar is ifrån is/vatten-fontänen första gången. Fontänen kan inte lämna ifrån sig is om det inte finns tillräckligt med is i islådan.
- De 30 isbitarna (3-4 liter) som tas efter första driften ska inte användas.
- Vid strömavbrott eller temporärt fel kan isen delvis smälta och sedan frysa om. Detta kommer göra att isbitarna smälter ihop. Om det är längre strömavbrott eller fel, kan isen smälta och läcka ut. Om du upplever det här problemet, ta bort isen i islådan och rengör lådan.



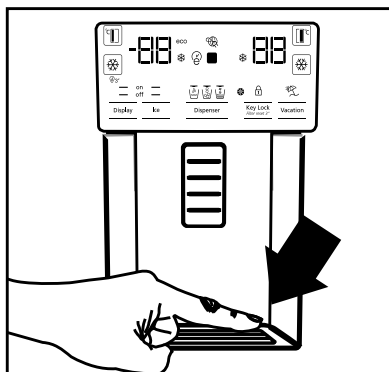
VARNING: Produktens vattensystem ska endast anslutas till kallvattenledningen. Anslut inte varmvattenledningen.

- Produkten kan inte lämna ifrån sig vatten under förstadriften. Detta orsakas av luften i systemet. Lyften i systemet måste släppas ut. För att göra detta, tryck vattenfontänens utlösare i 1-2 minuter, till dess fontänen släppt ut vattnet. Första vattenflödet kan vara oregelbundet. Vattnet kommer att flöda normalt när systemet är tömt på luft.
- Vattnet kan vara grumligt under förstaanvändningen av filtret; drick inte de första 10 glasen vatten.
- Du måste vänta cirka 12 timmar innan du får kallt vatten efter första installationen.
- Produktens vattensystem är utformat endast för rent vatten. Använd inte andra drycker.
- Det rekommenderas att du kopplar ur vattentillförseln om produkten inte ska användas under en längre period under semester m.m.
- Om vattenfontänen inte används under en längre period kommer de första 1-2 glasen av vatten att vara varma.

6.13 Droppbricka

(valfritt)

Vattnet som droppar ifrån vattenfontänen samlas upp på droppbrickan; ingen vattendränering finns. Dra ut droppbrickan eller tryck på kanderna för att ta bort brickan. Du kan sedan hälla ut vattnet som samlats på droppbrickan.



6.14 Is-maskinen

(valfritt)

Ismaskinen är placerad i den övre delen av fryslocket. Håll handtagen på sidan av isförvaringslådan och flytta den uppåt för att ta bort den. Ta bort ismaskinens dekorativa lock, genom att flytta den uppåt.

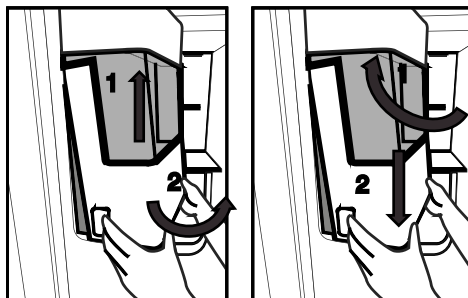
DRIFT

Att ta bort isbehållaren

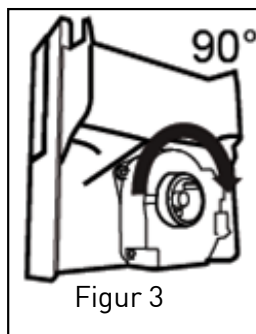
Håll isförvaringslådan i handtagen och dra uppåt och dra den utåt. (Figur 1)

För återinstallation av isbehållaren Håll isförvaringslådan i handtagen och lyft upp i en vinkeln som passar sidorna av behållaren, mot

motsvarande markeringar och kontrollera att isvalsstiften är monterade rätt. (Figur 2) Tryck ordentligt neråt, tills det inte finns något utrymme mellan behållaren och dörrplasten. (Figur 2)



Om du har svårigheter med att återinstallera behållaren, vrid den roterande delen 90 ° och återinstallera enligt figur 3.

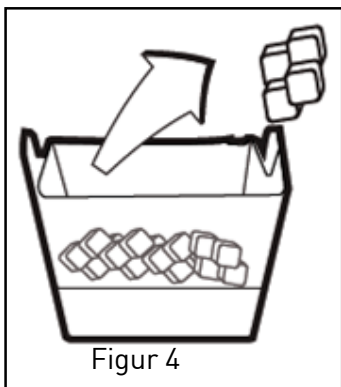


Figur 3

Alla ljud du hör när isen trillar ner i reservoaren är en naturlig del av driften.

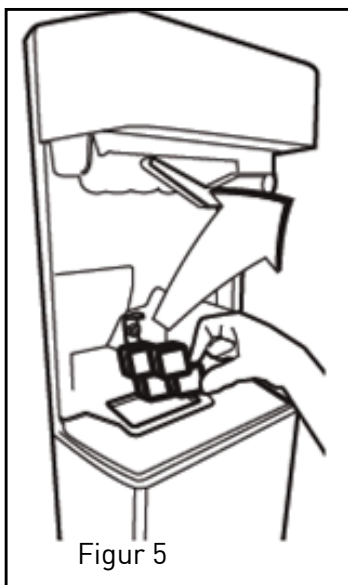
När isbehållaren inte fungerar som den ska

Om du inte tar bort iskuberna under en lång tid kommer de skapa större isbitar. Då ska du ta ur isförvaringslådan i enlighet med instruktionerna och ta ur isen, lossa på is som sitterfast och sätt i iskuberna i isförvaringslådan igen. (Figur 4)



Figur 4

När isen inte kommer ut alls ska du kontrollera om isen fastnat i kanalen och ta bort den. Kontrollera regelbundet iskanalen och rengör om något sitter fast, enligt figur 5.



Figur 5

När du använder kylskåpet för första gången, eller inte använder det under en längre period, då kan iskuber minska i storlek å grund av luft i rören som kommit in efter anslutningen, all luft pumpas ut vid normalanvändning.

Lossa på isen som skapats, cirka en dag efter att vattenröret kan innehålla kontaminering.

Varning!

Placera inte händer eller andra saker i iskanalerna och bladen, det kan skada delar eller skada händerna. Låt inte barn hänga på isbehållaren eller ismaskinen eftersom det kan leda till skador

För att förhindra droppande ifrån isförvaringslådan, använd båda händerna när du tar bort den.

Om du stänger dörren hårt kan det orsaka att vatten spillar ut över isförvaringslådan.

Montera inte ner isförvaringslådan om det inte behövs

Om det sker en låsning (isen kommer inte ut från kylskåpet) när du tar bruten is, försök ta iskuber.

Sedan kommer det att gå att ta bruten is igen.

När du tar bruten is kan det hända att det kommer iskuber först. Iskuber kommer när du tar bruten is.

Frysdörren på ismaskinens front kan skapa ett lätt snö- och filmlager.

Detta är normalt, det rekommenderas att rengöra utan att vänta för länge.

Gallret i vattendispenserns nedre zon fylls med vatten i tid. Det bör rengöras regelbundet. Det rekommenderas att regelbundet rengöra vattnet inom denna zon.

När isen faller från islagringsbehållaren är det normalt med ljud och detta indikerar inte att produkten har problem.

Knivmekanismen inuti isbanan är vass och orsaka skärskador på handen.

Om ismaskinen inte ger is, kan isen ha fastnat, ta då bort tanken och rengör den igen.

Istypen kan inte ändras på displayen när ispressen trycks in för att få is. Släpp upp ispressen, byt istyp på displayen och få is igen.

6.15 Frysning av färskmat

- För att förvara livsmedlens kvalitet ska livsmedel som placeras i frysfacket frysas så snabbt som möjligt, använd snabbinfrysningen för detta.
- För att frysa stora volymer av färska livsmedel, tryck på snabbinfrysningsknappen 24 timmar innan du placerar livsmedlet i frysfacket.
- Att frysa livsmedel när de är färska förlänger lagertiden i frysfacket.
- Paketera livsmedlen i vakumförpackningar och stäng ordentligt.
- Kontrollera att livsmedlen packas väl innan de läggs in i frysen. Använd fryshållare, aluminiumfolie, och bakplåtspapper, plastpåsar eller liknande paketeringsmaterial istället för traditionellt paketeringspapper.
- Alla matpaket markeras genom att man skriver datum på förpackningen innan infrysning. På detta sätt kan du se varje förpacknings färskhets, varje gång frysen öppnas. Ha de senaste datumen längst fram för att se till att de går åt först.
- Frysta livsmedel måste användas direkt efter att de tinats och ska inte frysas om.
- Ta inte ut stora kvantiteter livsmedel samtidigt.

Inställning för frysfack	Inställning för kylfack	Beskrivningar
-18 °C	4°C	Detta är den rekommenderade standardinställningen.
-20, -22 eller -24 °C	4°C	Dessa inställningar rekommenderas för omgivningstemperaturer som överskrider 30 °C.
Snabbinfrysning	4°C	Tryck på snabbfrysningssknappen 24 timmar innan du placerar livsmedlet i frysfacket. Produkten kommer återställas till föregående inställning när processen är genomförd.
-18 °C eller kallare	2°C	Använd dessa inställningar om du anser att kylfacket inte är kallt nog på grund av omgivande temperatur eller att dörren öppnats frekvent.

6.16 Rekommendationer för frysta livsmedel

Frysfacket måste ställas in på minst -18 °C.

1. Placera livsmedlen i frysen så snart som möjligt för att undvika avfrostning.
2. Innan infrysning, kontrollera "utgångsdatumet" på paketet och se till att det inte är utgånet.
3. Kontrollera att livsmedlets förpackning inte är skadad.

6.17 Djupfrys-information

I enlighet med IEC

62552-standarderna måste frysen ha en kapacitet på att frysa 4,5 kg livsmedel på -18°C eller lägre temperaturer i 24 timmar, för varje 100 liter i frysfackets volym. Livsmedel kan endast förvaras

under längre temperaturer, vid, eller under -18 °C. Du kan behålla maten färsk i flera månader (djupfrost eller under temperaturer på -18 °C).

Livsmedlen som ska frysas får inte komma i kontakt med den redan frysta maten inuti, för att undvika delvis tining.

Koka grönsakerna och filtrera vattnet för att förlänga lagringstiden. Placera maten i vakumförpackningar efter filtrering och placera dem i frysen. Bananer, tomater, sallad, selleri, kokade ägg, potatisar, och liknande livsmedel, ska inte frysas. Att frysa den här sortens livsmedel kommer endast minska näringsvärdet och kvalitén på maten samt förstöra den på ett sätt som är skadligt för hälsan.

6.18 Placera maten

Dörrhyllor för frysack	Olika frysta varor innehåller kött, fisk, glass, grönsaker m.m.
Dörrhyllor för kyl	Livsmedel som är i grytor, övertäckta tallrikar, behållare, ägg i burk
Dörrhyllor för kylfack	Små och paketerade livsmedel eller drycker
Grönsakssoptunna	Frukter och grönsaker
Fack för färska livsmedel	Delikatess (frukostmat, köttprodukter som ska konsumeras på kort sikt)

6.19 Varning vid öppen dörr

(Tillval)

En ljudsignal kommer höras när produktens dörr hålls öppen under 1,5 minut. Ljudsignalen kommer sluta när dörren stängs eller en knapp på skärmen trycks in (om det alternativet finns).

6.20 Upplysningslampa

LED-lampor ska användas som invändig belysning. Kontakta din serviceverkstad om du får problem med lampan. Lamporna som används i kylskåpet kan inte användas för att lysa upp huset. Avsedd användning av denna lampa är att hjälpa användaren att placera mat i kylskåpet/frys-skåpet på ett säkert och bekvämt sätt.

7 Underhåll och rengöring



WARNING! Läs avsnittet "Säkerhetsinstruktioner" först!.



WARNING! Koppla ur kylskåpet innan du rengör det.


- Använd inte vassa eller slipade verktyg för att rengöra produkten. Använd inte material som rengöringsmedel, tvättmedel, gas, bensin, alkohol, vax etc.
- Dammen ska tas bort från ventilationsgallret baktill på kylskåpet åtminstone en gång per år (utan att öppna täckkåpan). Rengöringen ska genomföras med en torr duk.

För produkter med vattenfontän/ismaskin

- **Om vattnet har varit i behållaren i 2 - 3 veckor, ska den bytas.**
- **Vattenbehållaren och vattenfontänens komponenter får inte tvättas i diskmaskin.**
- **Smält en tesked kolsyra i vattnet. Fukta en tygbit med vatten och vrid ur den. Torka enheten med tygbiten och torka grundligt.**
- Var noga med att hålla undan vatten ifrån lampocket och över de elektriska delarna.
- Rengör dörren med hjälp av en fuktig trasa. Ta bort allt innehåll för att kunna ta bort dörren och hyllorna. Ta bort dörrhyllorna genom att dra dem uppåt. Rengör och torka hyllorna, fäst dem sedan igen genom att låta

dem glida på, ovanifrån.

- Använd inte klorerat vatten eller rengöringsprodukter på de externa ytorna och krombeklädda delarna av produkten. Klorin kommer att orsaka rost på sådana ytor.
- Använd inte skarpa, slipade verktyg, tvål, såpa, tvättmedel, gas bensin, fernissa eller liknande ämnen för att förhindra deformation av plastdelarna eller ta bort påtryckta anvisningar på komponenterna. Använd ljummet vatten och en mjuk trasa för rengöring och torka sedan av det torra.
- Om frysskåpet har automatisk avfrostning, kan droppar och is som är tjockare än en finger förekomma på bakre väggen i frysacket. Rengör det inte och applicera aldrig olja eller liknande medel på den.
- Använd en måttligt blöt mikrofiberduk för att rengöra utsidan av kyl-/frysskåpet. Svampar och andra typer av rengöringsdukar kan repa ytan.
- För att rengöra alla flyttbara delar vid rengöringen av insidan av kyl-/frysskåpet tvättar man dessa delar med en mild tvällösning med såpa, vatten och bikarbonat. Tvätta och torka noggrant. Förebygg kontakt med vatten på belysningskomponenter och kontrollpanel.



VARNING!
Använd inte vinäger, rengörings-sprit eller andra alkoholbaserade rengöringsmedel på några innerytor.

7.1 Rostfria utsidor

Använd ett mildt rengöringsmedel för att rengöra rostfria ytor och använd en mjuk luddfri trasa. För att polera gnider man ytan lätt med en mikrofiberduk som fuktats i vatten och torka sedan efter med ett sämskskinn. Följ alltid sprickriktningen på rostfritt stål.

7.2 Rengöring av produkter med glasdörrar

Ta bort skyddsfolien på glaset. Det finns en beläggning på glasytan. Denna beläggning minimerar bildning av fläckar och tillhandahåller en yta som är lätt att rengöra från fläckar och smuts som samlats. Glas som inte är skyddat med en sådan beläggning kan exponeras för permanenta bindningar av organiskt eller icke-organiskt slag som luft och vattenbaserad smuts som kalk, mineralsalter, obränt kol, metalloxidering och silikon, som lätt förorsakar fläckar och fysisk skada på kort tid. Att hålla glaset rent är väldigt svårt, om inte omöjligt, trots det faktum att det rengörs ofta. Som ett resultat försämras transparensen och ytan på glaset. Hårda och rivande rengöringsmetoder

och -ämnen ökar ytterligare på dessa defekter och påskyndar nedbrytningsprocessen. Fr rutinmässig rengöring, *ska icke-alkaliska och icke-korrosiva vattenbaserade rengöringsprodukter användas. För att få produkten att hålla längre vad det gäller beläggningen ska man inte använda alkaliska eller korrosiva ämnen alls vid rengöring.

En tempereringsprocess har lagts till för att öka motståndskraften för glaset mot påverkan och skador.

Som ytterligare säkerhetsåtgärdså har en säkerhetsfilm lagts på ytan för att förhindra att den skadar miljön i händelse att den spricker.

7.3 Förhindra dålig lukt

Produkten är tillverkad i helt luktfria material. Men, har man mat i avdelningarna och inte rengör noga inuti facken kan detta leda till dålig lukt.

För att undvika detta, ska insidan rengöras med kolsyrat vatten var 15:e dag.

- Förvara maten i slutna behållare. Mikroorganismer kan spridas från de livsmedel som inte är täckta och förorsaka dofter.
- Förvara inte utgångna och gamla livsmedel i kylen.



Te är en av de bästa medlen för att bekämpa dålig lukt. Placera teblad på insidan av en öppen behållare och ta ort det efter senast 12 timmar. Om du låter tebladen ligga kvar längre än i 12 timmar kommer de att dra till sig organismer som förorsakar dålig lukt så då kan det bli tvärtom istället.

7.4 Skydda plastytor

Olja som spills ut på plastytorna kan skada ytorna och måste rengöras direkt med varmt vatten.

8. Felsökning

Kolla den här listan innan du kontaktar servicestället. Genom att göra detta kan du bespara dig både tid och pengar. Den här listan inkluderar de vanligaste klagomålen som inte är relaterade till felaktig tillverkning eller materialfel. Vissa funktioner som anges här i kanske inte gäller din produkt.

Kylen fungerar inte.

- Strömkabeln är inte isatt ordentligt. >>> Fäst den ordentligt i uttaget.
- Säkringen som är ansluten till uttaget har gått sönder. >>> Kontrollera säkringen.

Kondensation på sidväggen i kylfacjet (FLERZON, COOL, CONTROL och FLEXI ZONE.).

- Dörren öppnas för ofta >>> öppna inte dörren så ofta.
- Miljön är för fuktig. >>> Installera inte produkten i en fukrig miljö.
- Livsmedel som innehåller vätskor står förpackade i förpackningar som inte är förslutna. >>> Ha livsmedlen som innehåller vätskor i burkar med lock.
- Produktens dörr är öppen. >>> Ha inte produktens dörr öppen länge.
- Termostaten är inställd på för låg temperatur. >>> Ställ in termostaten på rätt temperatur.

Kompressorn fungerar inte.

- Om det plötsligt sker ett strömavbrott eller om du drar ur kontakten och sätter i den igen kan fastrycket i produktens kylsystem komma i obalans och det utlöser kompressorns termiska skyddsmekanism. Produkten kommer start om efter cirka 6 minuter. Om produkten inte startar om efter den här tiden, kontakta servicestället.
- Avfrostning är aktiv. >>> Detta är normalt för en fullt automatiskt avfrostande produkt. Avfrostningen utförs regelbundet.
- Produkten är inte ansluten. >>> Kontrollera att strömkabeln är ansluten.
- Temperaturinställningen är inkorrekt. >>> Välj lämplig temperaturinställning.
- Strömmen är av. >>> Produkten kommer fortsätta att drivas normalt när strömmen återkommer.

Kylens driftsljud ökar vid användning.

- Produktens driftsljud beror på den omgivande temperaturens variationer. Detta är normalt och inte ett fel.

Kylen kör för ofta eller för länge.

- Den nya produkten kan vara större än den föregående. Större produkter kommer köra under längre perioder.
- Rumstemperaturen kan vara hög. >>> Produkten kommer normalt köra under längre perioder i högre rumstemperatur.
- Produkten kan ha anslutits nyligen eller ett nytt livsmedel kan ha placerats i kylen. >>> Produkten kommer ta längre tid att nå den angivna temperaturen när den nyligen har anslutits eller om nya livsmedel placerats i den. Det är normalt.
- Stora kvantiteter med varm mat kan nyligen har placerats i produkten. >>> Placera inte varm mat i produkten.
- Dörrarna kan nyligen har varit öppna ofta eller länge. >>> Den varma luften rör sig inne i produkten och orsakar att den körs längre. Öppna inte dörrarna för ofta.
- Frys- eller kyldörrarna kan vara på glänt. >>> Kontrollera att dörrarna är helt stängda.
- Produkten kan vara inställd på en för låg temperatur. >>> Ställ in temperaturen på en högre grad och vänta på att produkten ska nå den justerade temperaturen.
- Kyl- eller frys-dörrens list kan vara smutsig, sliten, trasig eller inte rätt fäst. >>> Rengör eller byt ut listen. Skadad/ riven dörrlist kan få produkten att köra under längre perioder för att hålla den aktuella temperaturen.

Frysens temperatur är mycket låg, men kyltemperaturen är ok.

- Drysfackets temperatur är inställt på en mycket låg nivå. >>> Ställ in frysfackets temperatur till en högre grad och kontrollera igen.

Kylens temperatur är mycket låg, men frystemperaturen är ok.

- Kylfackets temperatur är inställt på en mycket låg nivå. >>> Ställ in kylfackets temperatur till en högre grad och kontrollera igen.

Livsmedlen som är i kylfackets lådor är fryst.

- Kylfackets temperatur är inställt på en mycket låg nivå. >>> Ställ in frysfackets temperatur till en högre grad och kontrollera igen.

Temperaturen i kylen eller frysen är för hög.

- Kylfackets temperatur är inställt på en mycket hög nivå. >>> Kylfackets temperaturinställning påverkar frysfackets temperatur. Förändra kylens eller frysens facktemperatur och vänta till det berörda facket har nåt den justerade temperaturen.
- Dörrarna kan nyligen har varit öppna ofta eller länge. >>> Öppna inte dörrarna för ofta.
- Dörren kan vara på glänt. >>> Stäng dörren helt.
- Produkten kan ha anslutits nyligen eller ett nytt livsmedel kan ha placerats i kylen. >>> Det är normalt. Produkten kommer ta längre tid att nå den angivna temperaturen när den nyligen har anslutits eller nya livsmedel placerats i den.
- Stora kvantiteter med varm mat kan nyligen har placerats i produkten. >>> Placera inte varma livsmedel i produkten.

Skakningar eller ljud

- Underlaget är inte i nivå eller hållbart. >>> Om produkten skakar när den rörs långsamt, justera ställen för att balansera produkten. Kontrollera också att underlaget är hållbart att bära produkten.
- Allt som placeras på produkten kan orsaka ljud. >>> Ta bort allt som är placerat på produkten.

Produkten låter som flytande vätska sprängande m.m.

- Produktens drift innehåller vätske- och gasflöden. >>> Detta är normalt och inte ett fel.

Det låter som vind blåser ifrån produkten.

- Produkten använder en fläkt i kylprocessen. Detta är normalt och inte ett fel.

Det är kondensations på produktens interna väggar.

- Varmt eller fuktigt väder kommer öka isbildningen och kondensationen. Detta är normalt och inte ett fel.
- Dörrarna kan nyligen ha varit öppna ofta eller länge. >>> Öppna inte dörrarna för ofta, om den är öppen, stäng dörren.
- Dörren kan vara på glänt. >>> Stäng dörren helt.

Det är kondensationen på produktens exteriör mellan dörrarna.

- Det omgivande vädren kan vara fuktigt, det är ganska vanligt i fuktigt väder. >>> Kondensationen kommer att försvinna när fuktigheten minskar.

Interiören luktar illa.

- Produkten rengörs inte regelbundet. >>> Rengör interiören på produkten degelbundet genom att använda svamp, varmvatten och kolsyrat vatten.
- Vissa hållare och paketeringsmaterial kan orsaka dofter. >>> Använd hållare och paketeringsmaterial utan dofter.
- Livsmedelen placerades i behållare som inte förseglats. >>> Ha maten i slutna behållare. Mikroorganismer kan spridas utifrån de livsmedel som inte är täckta och orsaka dofter.
- Ta bort alla utgådda eller gamla livsmedel ifrån produkten.

Grönsakslådan sitter fast.

- Livsmedlen kan ha kommit i kontakt med övre delen av lådan. >>> Omorganisera livsmedlen i lådan.



WARNING: Om problemen fortgår efter att du följt instruktionerna i det här avsnittet, kontakta din återförsäljare eller godkända serviceställe. Försök inte reparera produkten.

ANSVARFRISKRIVNING/VARNING

Slutanvändaren kan lösa en del (enkla) fel utan att det leder till säkerhetsproblem eller osäker användning, förutsatt att de utförs inom begränsningarna och enligt följande instruktioner (se sektion "Självreparation").

Därför ska, om inte annat angetts, reparationerna som i sektionen "Självreparation" överlåtas till registrerad professionell reparatör, för att undvika säkerhetsproblem. En registrerad professionell reparatör är en person, som tillverkaren har gett åtkomst till denna produkts instruktioner och reservdelslista enligt metoder som beskrivits i Direktivets 2009/125/EC laghandlingar.

Emellertid kan endast servicerepresentant (auktoriserad professionell reparatör), som kan nås genom telefonnumret i bruksanvisningen/garantikortet eller auktoriserad återförsäljare utföra service under garantitiden. Märk därför, att reparationer utförda av professionell reparatör (som inte är auktoriserad avGrundig) kommer att upphäva garantin.

Självreparationer

Slutanvändaren kan utföra självreparationer angående följande reservdelar: dörrhandtag, dörrgångjärn, hyllor, korgar och dörrtätningar (en uppdaterad lista finns tillgänglig på adress support.grundig.com fr o m. 1:a Mars 2021).

För att försäkra produktens säkerhet och förhindra allvarlig personskada, ska nämnda självreparationer utföras enligt instruktionerna för självreparationer i bruksanvisningen eller som finns tillgängliga på adressen support.grundig.com. Koppla ur produkten innan självreparationer utförs.

Alla självreparationer eller försök till dessa utförda av slutanvändaren av delar som inte inkluderats i nämnda lista och/eller att instruktionerna i bruksanvisningen eller som finns tillgängliga på adressen support.grundig.com inte åtföljs, kan leda till säkerhetsproblem utanför Grundig kontroll och upphäva garantin.

Därför rekommenderar vi att slutanvändaren avstår från att utföra reparationer, som inte nämnts i reservdelslistan, utan kontaktar istället auktoriserad professionell reparatör eller registrerad professionell reparatör. Å andra sidan kan dessa reparationer utförda av slutanvändare leda till säkerhetsproblem och skador på produkten och orsaka brand, översvämning, elchock och andra allvarliga personskador.

Tillexempel måste följande, men inte begränsade till, utföras av auktoriserad professionell reparatör eller registrerad professionell reparatör: kompressor, kylkrets, elektronikkort, inverterkort, displaykort etc.

Tillverkaren/säljaren kan inte hållas ansvarig i fall, där slutanvändaren inte följer ovan nämnda regler.

Reservdelar till kylskåpet finns tillgängliga i 10 år.

Under denna period kommer reservdelar att finnas tillgängliga, för att kylskåpet ska fungera på korrekt sätt.

Minimigarantitiden för kylskåpet som du köpt är 24 månader.

Denna produkt är utrustad med ljuskälla i "G" energiklass.

Endast en professionell montör får byta produktens ljuskälla.

1- Sikkerhetsinstruksjoner	2	6 Bruk av produktet	24
 1.1 Tiltentkt bruk.....	2	6.1 Pause programmet	24
 1.2 - Sikkerhet for barn, utsatte personer og kjæledyr	2	6.2 Indikatorpanel	25
 1.3 - Elektrisk sikkerhet	3	6.3 Lukt fjerningsmodul	28
 1.4 - Transportsikkerhet....	4	6.4 Grønnsaksboks med kontrollert fuktighet.....	28
 1.5 - Installasjonssikkerhet4		6.5 Blått lys /Vitamin Care- teknologi	29
 1.6- Driftssikkerhet	6	6.6 Bruke vannfontenen	30
 1.7- Vedlikehold og rengjøringsikkerhet	8	6.7 Fylle vanntanken til fontenen	30
 1.8- HomeWhiz	9	6.8 Rengjøring av vanntanken ..	31
 1.9- Belysning	9	6.9 Meieribeholder (kjølerom) ..	32
2 Miljøinstruksjoner	10	6.10 Grønnsaksrom	32
2.1 Overholdelse av WEEE- direktivet og avhending av avfallsproduktet:	10	6.11 Ionisator	32
2.2 Overholdelse av RoHS- direktivet	10	6.12 Luktfilter	32
2.3 Emballasjeinformasjon	10	6.13 Icematic og isboks.....	32
3 Kjøleskapet ditt	11	6.14 Ta is/vann	33
4 Montering	12	6.15 Frysing av fersk mat.....	34
4.1 Riktig sted for installasjon ..	12	6.16 Anbefalinger for lagring av frosne matvarer	35
4.2 Festing av plastkiler	12	6.17 Detaljer om dypfryser	35
4.3 Justering av føtter	13	6.18 Plassering av mat	36
4.4 Elektrisk tilkobling	15	6.19 Varsel om åpen dør	36
4.5 Vanntilkobling	15	6.20 Belysningslampe.....	36
4.6 Koble vannslange til produktet.....	16	7 Vedlikehold og rengjøring	37
4.7 Koble til vannledningen	16	7.1 Ytre overflater i rustfritt stål37	
4.8. For produkter som bruker damejeanne	17	7 Vedlikehold og rengjøring	38
4.9 Vannfilter	18	7.2 Rengjøring av produktene med glassdører	38
4.9.1 Feste eksternt filter til veggen (valgfritt)	18	7.3 Forebygging av dårlig lukt38	
4.9.2 Internt filter	19	7.4 Beskyttelse av plastoverflater	38
5 Forberedelse	22	8. Feilsøking	39
5.1 Hva kan du gjøre for å spare energi	22		
5 Forberedelse	23		
5.2 Første operasjon	23		

Vennligst les denne brukerhåndboken først!

Kjære kunde,

Vi vil at du skal oppnå optimal effektivitet fra produktet vårt, som har blitt produsert i moderne lokaler med grundige kvalitetskontroller.

For dette formål, bør du lese brukerveiledningen før du bruker produktet og oppbevare veiledningen som en referansekilde. Hvis du gir produktet til en annen person, må du sørge for at denne veiledningen følger med produktet.

Brukerveiledningen sikrer rask og trygg bruk av produktet.

- Les brukerveiledningen før montering og bruk av produktet.
- Følg alltid gjeldende sikkerhetsinstrukser.
- Hold brukerveiledningen lett tilgjengelig for fremtidig bruk.
- Les andre dokumenter som følger med produktet.

Husk at denne brukerveiledningen kan gjelde for flere produktmodeller.

Brukerveiledningen indikerer tydelig forskjellen på modellene.

Symboler og merknader

Følgende symboler brukes i brukerveiledningen:

	Viktig informasjon og nyttige tips.
	Fare for liv eller eiendom.
	Fare for elektrisk støt.
	Emballasjen til produktet er laget av resirkulerbare materialer, i henhold til den nasjonale miljølovgivningen.

INFORMATION



SUPPLIER'S NAME

MODEL IDENTIFIER → (*)

A


A


Modellinformasjonen som er lagret i produkt databasen kan nås ved å gå inn på følgende nettsted og søke etter din modellidentifikator (*) som finnes på energimerket.


<https://eprel.ec.europa.eu/>


1- Sikkerhetsinstruksjoner

- Denne delen inneholder sikkerhetsinstruksjoner som vil hjelpe deg med å unngå risiko for personskade eller materielle skader.
- Selskapet skal ikke være ansvarlig for skader som kan oppstå når disse instruksjonene ikke følges.

 Installasjons- og reparasjonsprosedyrer må alltid utføres av produsenten, autorisert serviceagent eller en kvalifisert person spesifisert av importøren.

 Bruk bare originale deler og tilbehør.

 Ikke reparer eller erstatt noen del av produktet med mindre det er spesifisert spesifikt i bruksanvisningen.

 Ikke gjør noen tekniske endringer på produktet.

1.1 Tiltenkt bruk

- Dette produktet er ikke egnet for kommersiell bruk,

og det må ikke brukes til annet en tiltenkt bruk.

Dette apparatet er designet for å brukes i hus og innendørs områder. For eksempel:

- Personalkjøkken i butikker, kontorer og andre arbeidsmiljøer,
- Gårdshus,
- Områder brukt av kunder på hotell, motell og annen type overnatting,
- Bed & breakfast-hoteller, pensjonater,
- Catering og lignende bruksområder utenfor detaljhandel.

Dette produktet skal ikke brukes utendørs med eller uten telt over det, som for eksempel båter, balkonger eller terrasser. Ikke utsett produktet for regn, snø, sol eller vind.

Det er risiko for brann!

1.2 - Sikkerhet for barn, utsatte personer og kjæledyr

- Dette produktet kan brukes av barn over 8 år og av personer med begrensede fysiske, sensoriske eller mentale evner eller som mangler erfaring og kunnskap forutsatt at de blir overvåket eller mottar opplæring i sikker bruk av produktet og risikoen det medfører .

- Barn i alderen 3 til 8 år har lov til å laste og losse kjøleprodukter.

- Elektriske produkter er farlige for barn og kjæledyr. Barn og kjæledyr må ikke leke med, klatre på eller gå inn i produktet.

- Rengjøring og brukervedlikehold skal ikke utføres av barn med mindre de er under tilsyn.

- Hold emballasjemateriell borte fra barn. Fare for personskade og kvelning!

- Før du avhender det gamle eller foreldede produktet:

1. Koble produktet fra støpselet.

2. Kutt strømkabelen og fjern den fra apparatet sammen med støpselet

3. Ikke fjern hyllene eller skuffene, slik at det er vanskeligere for barn å komme inn i produktet.

4. Fjern dørene.

5. Hold produktet slik at det ikke vil velte.

6. Ikke la barn leke med det gamle produktet.

- Kast aldri produktet i brann for å avhende det. Det er risiko for eksplosjon!

- Hvis det er en lås på døren til produktet, bør nøkkelen oppbevares utilgjengelig for barn.

1.3 - Elektrisk sikkerhet

- Produktet må kobles fra under installasjon, vedlikehold, rengjøring, reparasjon og flytting.

- Hvis strø姆ledningen er skadet, må den skiftes av en kvalifisert person som er spesifisert av produsenten, en autorisert serviceagent eller importør for å unngå mulige farer.

- Ikke press strømkabelen under eller bak produktet. Ikke plasser tunge gjenstander på strømkabelen. Strømkabelen må ikke bøyes for mye, klemmes eller komme i kontakt med noen varmekilde.

- Ikke bruk skjøteledninger, multikontakter eller adaptere til å betjene produktet.

- Bærbare multikontakter eller bærbare strømkilder kan overopphetes og forårsake brann. Hold derfor ikke flere stikkontakter bak eller i nærheten av produktet.

- Støpselet må være lett tilgjengelig. Hvis dette ikke

er mulig, må den elektriske installasjonen som produktet er koblet til, inneholde en enhet (for eksempel en sikring, bryter, effektbryter, osv.) som er i samsvar med de elektriske forskriftene og kobler alle polene fra strømmettet.

- Ikke berør støpselet med våte hender.
- Fjern støpselet fra kontakten ved å ta tak i støpselet og ikke i kabelen.

1.4 - Transportsikkerhet

- Produktet er tungt; ikke flytt det alene.
- Ikke hold døren når du flytter produktet.
- Vær oppmerksom på ikke å skade kjølesystemet eller rørene under transport. Hvis rørledningen er skadet, må du ikke bruke produktet og ringe den autoriserte serviceagenten.

1.5 - Installasjonssikkerhet

- Ring autorisert serviceagent for installasjon av produktet. For å gjøre produktet klart til bruk, sjekk informasjonen i

brugerhåndboken for å forsikre deg om at strøm- og vanninstallasjonene er egnet. Hvis ikke, ring en kvalifisert elektriker og rørlegger for å få dette i stand. Ellers er det fare for elektrisk støt, brann, problemer med produktet eller personskade!

- Sjekk om produktet har noen feil før personskade. Hvis produktet er skadet, må du ikke ha det installert.
- Plasser produktet på en ren, flat og solid overflate og balanser det med justerbare føtter. Ellers kan produktet velte og forårsake personskader.
- Installasjonsstedet må være tørt og godt ventilert. Ikke plasser tepper eller lignende trekk under produktet. Utilstrekkelig ventilasjon medfører fare for brann!
- Ikke dekk til eller blokker ventilasjonsåpningene. Ellers vil strømforbruket øke, og produktet kan bli skadet.
- Produktet må ikke kobles til forsyningssystemer slik

som solenergi. Ellers kan produktet ditt bli skadet på grunn av plutselige spenningsendringer!

- Jo mer kjølemedium et kjøleskap inneholder, jo større må installasjonsstedet være. Hvis installasjonsstedet er for lite, vil brannfarlig kjølemedium og luftblanding samle seg i tilfelle lekkasje av kjølemedium i kjølesystemet. Den nødvendige plassen for hver 8 g kjølemedium er minst 1 m³. Mengden kuldemedium i produktet ditt er angitt på typemerket.

- Produktet må ikke installeres på steder som er utsatt for direkte sollys, og det må holdes vekk fra varmekilder som kokeplater, radiatorer, osv.

Hvis det er uunngåelig å installere produktet nær en varmekilde, må det brukes en passende isolasjonsplate mellom og følgende minimumsavstander fra varmekilden må opprettholdes:

- Minimum 30 cm fra varmekilder som kokeplater, ovner, varmeovner eller ovner,
- Minimum 5 cm fra elektriske ovner.

- Beskyttelsesklasse for produktet ditt er type I. Koble produktet til en jordet stikkontakt som samsvarer med spennings-, strøm- og frekvensverdiene som er angitt på produktets etikett. Stikkontakten må være utstyrt med en strømbryter på 10 A – 16 A. Selskapet vårt er ikke ansvarlig for skader som oppstår når produktet brukes uten jording og elektrisk tilkobling i samsvar med lokale og nasjonale forskrifter.

- Produktet må ikke kobles til under installasjonen. Ellers er det risiko for elektrisk støt eller personskade.

- Ikke koble produktet til stikkontakter som er løse, forskjøvet, ødelagte, skitne, fete eller som har risiko for å komme i kontakt med vann.

- Før strømkabelen og eventuelle slanger på produktet slik at de ikke fører til snublefare.

- Å utsette strømførende deler eller strømkabelen for fuktighet kan føre til kortslutning. Derfor må du ikke installere produktet på

steder som garasjer eller vaskerom der fuktigheten er høy eller vann kan sprute. Hvis kjøleskapet blir vått fra vann, koble fra det og ring en autorisert serviceagent.

- Koble aldri kjøleskapet til energisparende enheter. Slike systemer er skadelige for produktet ditt.

1.6- Driftssikkerhet

- Bruk aldri kjemiske løsemidler på produktet. Det er risiko for eksplosjon!
- Hvis produktet ikke fungerer, må du koble det fra støpselet og ikke bruke det før det er reparert av en autorisert serviceagent. Det er risiko for elektrisk støt!
- Ikke plasser flammekilder (tente lys, sigaretter osv.) på eller i nærheten av produktet
- Ikke klatre på produktet. Det er fare for å falle og bli skadet!
- Ikke skad rørene i kjølesystemet med skarpe eller gjennomtrengende gjenstander. Kjølemiddelet som kan komme ut når kjølemiddelrør, rørforlengelse eller

overflatebelegg blir punktert, forårsaker hudirritasjoner og øyeskader.

- Ikke plasser eller bruk elektriske apparater i kjøleskapet/fryseren, med mindre det er anbefalt av produsenten.
- Vær forsiktig så hendene dine eller andre deler av kroppen din ikke blir sittende fast i de bevegelige delene i kjøleskapet. Vær oppmerksom så du ikke klemmer fingrene mellom døren og kjøleskapet. Vær forsiktig når du åpner og lukker døren, spesielt hvis det er barn rundt.
- Spis aldri is, isbiter eller frossen mat rett etter at du har tatt dem ut av kjøleskapet. Det er risiko for frostskafer! Når hendene dine er våte, ikke berør indre vegger eller metalldele i fryseren eller maten som er lagret der. Det er risiko for frostskafer!
- Ikke legg bokser eller flasker som inneholder kullsyreholdige drikker eller fryselig væske i fryserommet. Bokser og flasker kan sprenges. Det

er fare for personskade og materielle skader!

- Ikke plasser eller bruk brennbare sprayer, brennbare materialer, tørris, kjemiske stoffer eller lignende varmemfølsomme materialer i nærheten av kjøleskapet. Det er fare for brann og eksplosjon!
- Ikke oppbevar eksplosive materialer som inneholder brennbare materialer, som for eksempel aerosolbokser, i produktet.
- Ikke legg beholdere fylt med væske på produktet. Å sprute vann på en elektrisk del kan forårsake elektrisk støt eller fare for brann.
- Dette produktet er ikke beregnet på lagring av medisiner, blodplasma, laboratoriepreparater eller lignende medisinske stoffer og produkter som er underlagt det medisinske produktdirektivet.
- Hvis du bruker produktet til annet en tiltenkt formål, kan det føre til at produktene som er lagret i det, forringes eller ødelegges.

- Hvis kjøleskapet ditt er utstyrt med blått lys, må du ikke se på dette lyset med optiske verktøy. Ikke stir på UV-LED-lampen direkte på lenge. Ultraviolet lys kan forårsake belastning på øynene.
- Ikke overbelast produktet. Gjenstander i kjøleskapet kan falle ned når døren åpnes og forårsake personskade eller skade. Lignende problemer kan oppstå hvis noen gjenstander plasseres på produktet.
- Forsikre deg om at du har rensset all isen og vannet som kan ha falt eller sprutet på gulvet for å unngå skader.
- Endre plasseringen av hyllene/flaskeholderne på døren til kjøleskapet ditt bare når de er tomme. Det er risiko for personskade!
- Ikke plasser gjenstander som kan falle ned/velte på produktet. Slike gjenstander kan falle ned når døren åpnes og forårsake personskader og/eller materielle skader.
- Ikke treff eller utøv kraft på glassflater. Knust glass

kan forårsake personskader og/eller materielle skader.

- Kjølesystem for produktet ditt inneholder R600a-kjølemiddel: Type kjølemiddel som brukes i produktet er angitt på typemerket. Dette kjølemiddelet er brennbart. Vær derfor oppmerksom på ikke å skade kjølesystemet eller rørsystemet mens produktet er i bruk. Hvis rørsystemet er skadet:
 - Ikke ta på produktet eller strømkabelen,
 - Hold deg unna brannkilder som kan føre til at produktet tar fyr.
 - Luft området der produktet befinner seg. Ikke bruk vifter.
 - Ring autorisert serviceagent.
- Hvis produktet er skadet og du ser lekkasje av kjølemiddel, må du holde deg borte fra kjølemiddelet. Kjølemiddel kan forårsake frostskafer i tilfelle hudkontakt.

For produkter med vanddispenser/ismaskin

- Bruk bare drikkevann. Fyll ikke vanntanken med væsker - så som fruktjuice, melk, kullsyreholdige drikker eller alkoholholdige drikker - som ikke er egnet til bruk i vanddispenseren.
- Det er en fare for helse og sikkerhet!
- Ikke la barn leke med vanddispenseren eller ismaskinen (Icematic) for å forhindre ulykker eller personskader.
- Ikke stikk fingrene eller andre gjenstander inn i vanddispenserhullet, vannkanalen eller ismaskinbeholderen. Det er fare for personskade eller materielle skader!

1.7- Vedlikehold og rengjøringsikkerhet

- Ikke trekk fra dørhåndtaket hvis du trenger å flytte produktet til rengjøringsformål. Håndtaket kan gå i stykker

og forårsake personskader hvis du utøver for stor kraft.

- Ikke spray eller hell vann på eller i produktet for rengjøringsformål. Det er fare for brann og elektrisk støt!
- Ikke bruk skarpe eller slipende verktøy når du rengjør produktet. Ikke bruk rengjøringsprodukter, vaskemiddel, bensin, tynner, alkohol, lakk osv.
- Bruk bare rengjørings- og vedlikeholdsprodukter i produktet som ikke er skadelig for maten.
- Bruk aldri damp eller dampassistert rengjøringsmiddel for å rengjøre eller tine produktet. Damp kommer i kontakt med de strømførende delene i kjøleskapet ditt, og forårsaker kortslutning eller elektrisk støt!
- Forsikre deg om at ikke vann kommer inn i de elektroniske kretsene eller belysningselementene til produktet.
- Bruk en ren og tørr klut til å tørke av fremmedlegemer eller støv på støpselpinnene.

Ikke bruk en våt eller fuktig klut for å rengjøre pluggen. Det er fare for brann og elektrisk støt!

1.8- HomeWhiz

- Når du bruker produktet gjennom HomeWhiz-applikasjonen, må du følge sikkerhetsadvarslene, selv når du er borte fra produktet. Du må også følge advarslene i applikasjonen.

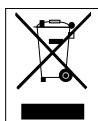
1.9- Belysning

- Ring den autoriserte tjenesten når det er nødvendig å skifte ut LED pære som brukes til belysning.

2 Miljøinstruksjoner

2.1 Overholdelse av WEEE-direktivet og avhending av avfallsproduktet:

Dette produktet er i samsvar med EUs WEEE-direktiv (2012/19/EU). Dette produktet har et klassifiseringssymbol for kasserte elektriske og elektroniske produkter (EE-avfall).



Dette symbolet indikerer at dette produktet ikke skal avhendes med annet husholdningsavfall etter endt levetid. Brukt utstyr må

returneres til et offisielt innsamlingssted for gjenvinning av elektriske og elektroniske apparater. For å finne disse innsamlingsystemene, kan du kontakte lokale myndigheter eller forhandleren der produktet ble kjøpt. Hver husholdning har en viktig rolle å spille i gjenoppretting og gjenvinning av gamle apparater. Passende avhending av brukte apparater bidrar til å forhindre potensielle negative konsekvenser for miljøet og menneskers helse.

2.2 Overholdelse av RoHS-direktivet

Produktet du har kjøpt er i samsvar med EUs RoHS-direktiv (2011/65/EU). Det inneholder ikke skadelige og forbudte materialer som er spesifisert i direktivet.

2.3 Emballasjeinformasjon

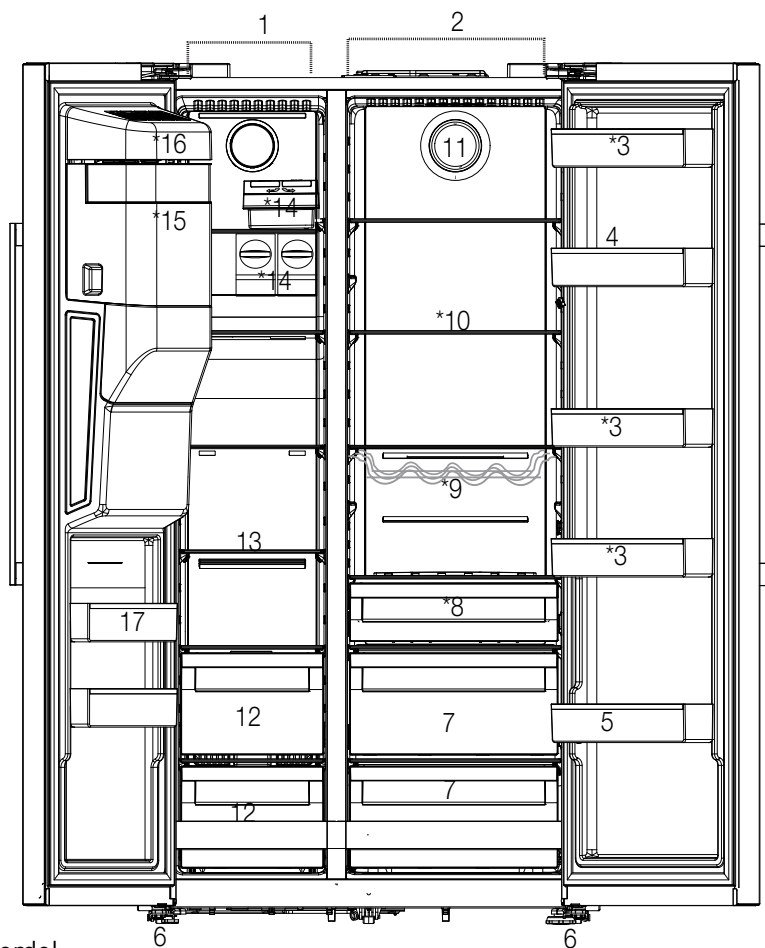


Emballasjematerialene til produktet er laget av resirkulerbare materialer i samsvar med våre nasjonale

miljøforskrifter.

Emballasjematerialene skal ikke avhendes sammen med husholdningsavfall eller andre typer avfall. Ta dem til mottak for emballasjemateriale som er utpekt av lokale myndigheter.

3 Kjøleskapet ditt



1. Fryserdel
2. Kjølerdel
3. Dørhyller for kjølerdel
4. Eggholder
5. Flaskehylle
6. Justerbare stativer
7. Grønnsaksrom
8. Meieribeholder (kjølerom)
9. Flaskehylle
10. Glasshyller
11. Vifte
12. Oppbevaring av frossen mat
13. Glasshylle for fryserdel
14. Icematic
15. Oppbevaringsboks for is
16. Dekorativt lokk for ismaskin
17. Dørhyller for fryserdel

Kanskje ikke tilgjengelig i alle modeller



***Valgfritt:** Figurene i denne brukerveiledningen er skjematiske, og vil ikke nødvendigvis tilsvare ditt produkt nøyaktig. Hvis produktet ikke inneholder de relevante delene, gjelder denne informasjonen for andre modeller.

4 Montering

4.1 Riktig sted for installasjon



Les avsnittet "Sikkerhetsinstruksjoner" først!

Produktet krever tilstrekkelig luftsirkulasjon for å fungere effektivt. Hvis produktet plasseres i en alkove, må du la det være en klaring på minst 5 cm mellom produktet og taket, bakveggen og veggene.

Hvis produktet plasseres i en alkove, må du la det være en klaring på minst 5 cm mellom produktet og taket, bakveggen og veggene. Kontroller om beskyttelseskomponenten for bakveggensklaringen er til stede der det er plassert (hvis den følger med produktet). Hvis komponenten ikke er tilgjengelig, eller hvis den er mistet eller har falt, må du plassere produktet slik at det er minst 5 cm klaring mellom den bakre overflaten til produktet og veggene i rommet. Avstanden bak er viktig for at produktet skal fungere effektivt.



ADVARSEL: Ikke bruk skjøteledninger eller flerkontakter i strømtilkoblingen.



ADVARSEL: Produsenten påtar seg ikke noe ansvar for skader som skyldes arbeid utført av uvedkommende.



ADVARSEL: Produktets strømkabel må kobles ut under installasjonen. Unnlattelse av å gjøre dette kan føre til død eller alvorlige personskader!



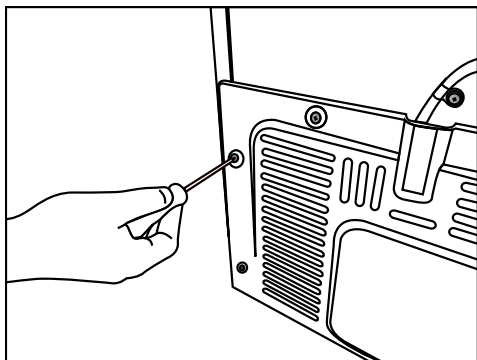
ADVARSEL: : Hvis dørspennet er for smalt til at produktet kan passere gjennom det, fjerner du døren og vrir produktet sidelengs. Hvis dette ikke fungerer, må du kontakte autorisert service.

- Plasser produktet på en flat overflate for å unngå vibrasjoner.
- Plasser produktet minst 30 cm fra varmeovn, komfyr og lignende varmekilder og minst 5 cm fra elektriske ovner.
- Produktet skal ikke utsettes for direkte sollys eller oppbevares i fuktige omgivelser.
- Produktet krever tilstrekkelig luftsirkulasjon for å fungere effektivt. Hvis produktet plasseres i en alkove, må du la det være en avstand på minst 5 cm mellom produktet og taket og veggene.

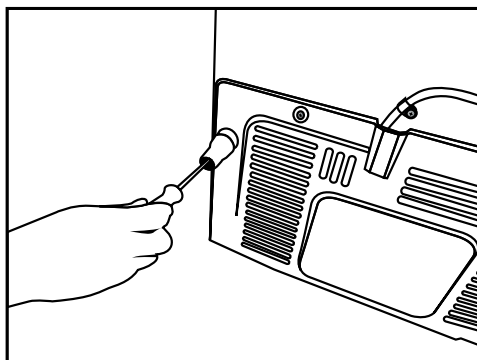
4.2 Festing av plastkiler

Bruk plastkilene som følger med produktet for å gi tilstrekkelig rom til luftsirkulasjon mellom produktet og veggen.

- For å feste kilene fjerner du skruene på produktet og bruker skruene som følger med kilene.

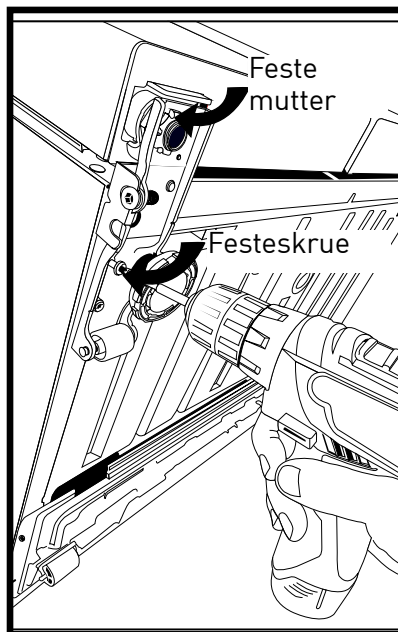
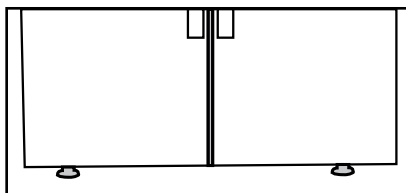


- Fest 2 plastkiler på ventilasjonsdekselet som vist på figuren.



4.3 Justering av føtter

Hvis produktet ikke er i balansert posisjon, kan du justere de justerbare stativene foran ved å rotere til høyre eller venstre.



ENG

ES

SV

NO

FI

DA

PT

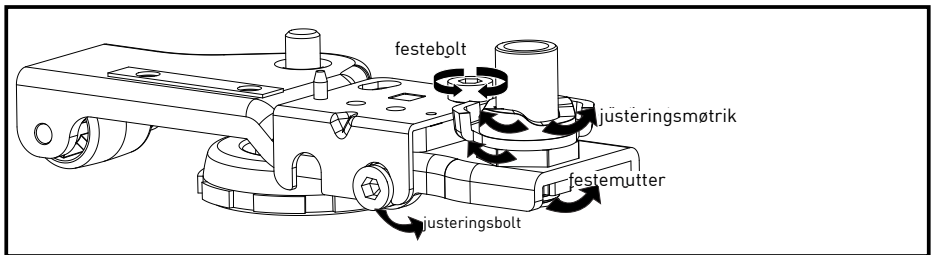
EL

For å justere dørene vertikalt,

- Løsne festemutteren nederst
- Skru justeringsmutteren (CW/CCW) i henhold til dørens posisjon
- Stram til festemutteren for den endelige posisjonen

For å justere dørene horisontalt,

- Løsne festeskruen nederst
- Løsne festebolten øverst
- Skru justeringsbolten (CW/CCW) på siden i henhold til dørens posisjon
- Stram festebolten øverst for den endelige posisjonen
- Stram festeskruen nederst



4.4 Elektrisk tilkobling



ADVARSEL: Ikke bruk skjøteledninger eller flerkontakter i strømtilkoblingen.



ADVARSEL: Skadet strømkabel må erstattes av en autorisert serviceperson.

- Selskapet vårt vil ikke påta seg ansvar for skader som medfølger fra bruk uten jording og strømtilkobling i samsvar med nasjonale forskrifter.
- Kabelstøpselet må være lett tilgjengelig etter installering.



Advarsel om varm overflate!
Produktets sidevegger er utstyrt med kjøligere rør for å forbedre kjølesystemet. Høytrykksvæske kan strømme gjennom disse overflatene og føre til varme overflater på sideveggene. Dette er normalt og krever ikke servicearbeid. Vær forsiktig når du kommer i kontakt med disse områdene.

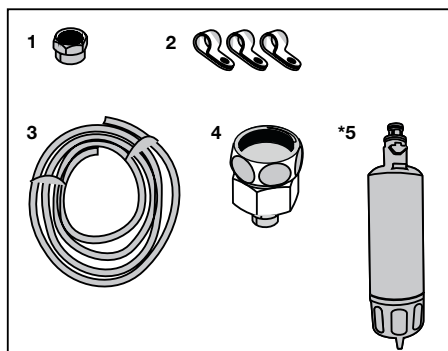
4.5 Vanntilkobling

(Valgfritt)



ADVARSEL: Koble fra produktet og vannpumpen (hvis tilgjengelig) under tilkoblingen.

Produktets vannlednings-, filter- og damejeannetilkoblinger må utføres av autorisert service. Produktet kan kobles til en damejeanne eller direkte til vannledningen, avhengig av modell. Vannslangen må kobles til produktet før tilkoblingen kan opprettes.



Sjekk om følgende deler følger med produktmodellen:

1. Kontakt (1 stk.): Brukes til å feste vannslangen på baksiden av produktet.
2. Slangeklemme (3 stk.): Brukes til å feste vannslangen til veggen.
3. Vannslange (1 stk., 5 meters diameter 1/4 tommer): Brukes til vanntilkobling.
4. Kranadapter (1 stk.): Inneholder et porøst filter som brukes til å koble til kaldtvannsnettet.

ENG

ES

SV

NO

FI

DA

PT

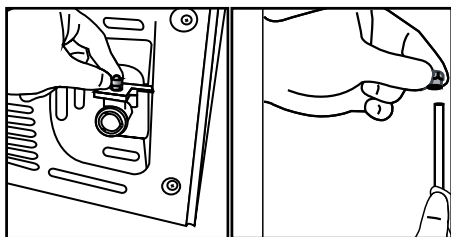
EL

1. Vannfilter (1 stk. *Valgfritt):
Brukes til å koble vannet til produktet. Vannfilter kreves ikke hvis damejeannetilkobling er tilgjengelig.

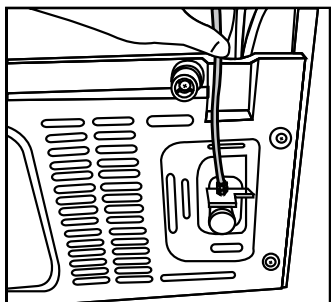
4.6 Koble vannslange til produktet

Følg instruksjonene nedenfor for å koble vannslangen til produktet.

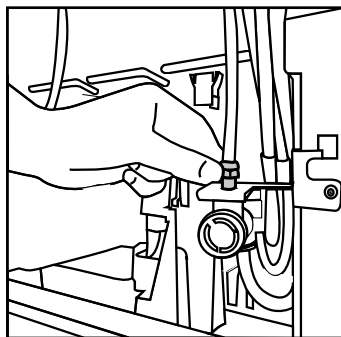
1. Fjern kontakten på slangedyseadapten på baksiden av produktet og før slangen gjennom kontakten.



2. Skyv vannslangen godt ned og koble til slangedyseadapten.



3. Stram til kontakten manuelt for å feste den til slangedyseadapten. Kontakten kan også strammes med en pipenøkkel eller tang.



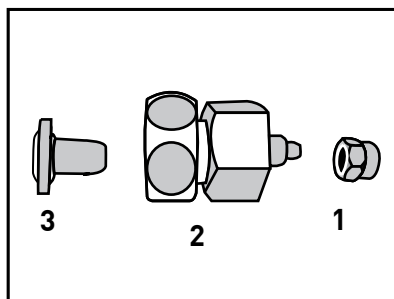
4. Koble den andre enden av slangen til vannledningen (se avsnitt 4.7) eller til vannpumpen, for å bruke damejeanne (se avsnitt 4.8).

4.7 Koble til vannledningen

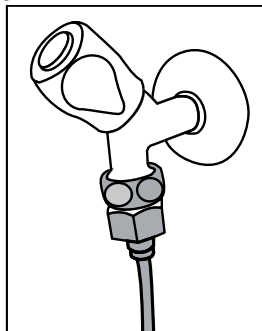
(Valgfritt)

For å bruke produktet ved å koble det til kaldtvannsnettet, må en standard 1/2 tommers ventilkontakt installeres på kaldvannsledningen i hjemmet ditt. Hvis kontakten ikke er tilgjengelig, eller hvis du er usikker, må du kontakte en kvalifisert rørlegger.

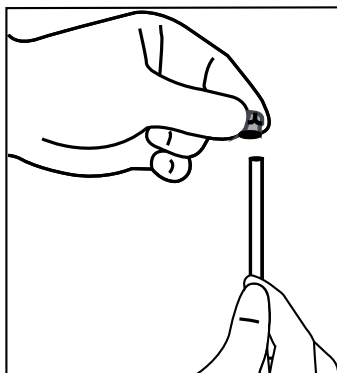
1. Koble kontakten (1) fra krana-dapteren (2).



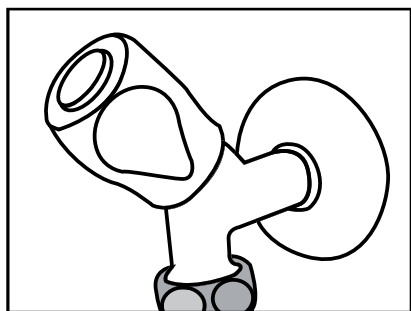
1. Koble kranadapteren til vannledningsventilen.



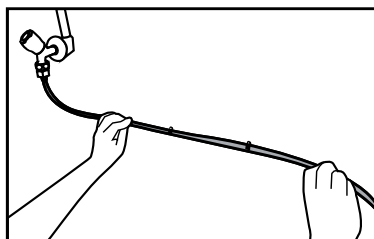
2. Fest kontakten rundt vannslangen.



3. Fest kontakten i kranadapteren og stram til for hånd / med verktøy.



4. For å unngå skader, forskyvning eller at slangen frakobles, bruk de medfølgende klemmene for å feste vannslangen på riktig måte.



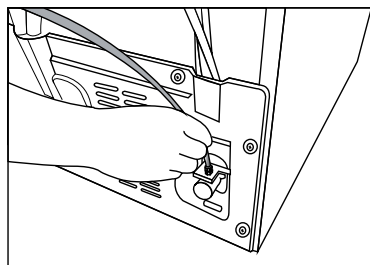
ADVARSEL: Når kranen er slått på, må du sjekke at det ikke er vannlekkasje i hver ende av vannslangen. Ved lekkasje slår du av ventilen og strammer alle tilkoblingene med en pipenøkkel eller tang.

4.8. For produkter som bruker damejeanne

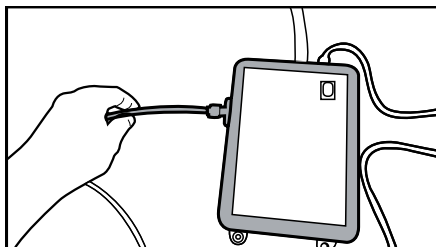
(Valgfritt)

For å bruke produktet til vann med et vannkar, må vannpumpen som anbefales av den autoriserte tjenesten brukes.

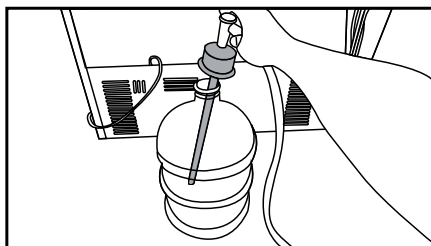
1. Koble den ene enden av vannslangen som følger med pumpen til produktet (se 4.6) og følg instruksjonene nedenfor.






1. Koble vannslangens andre ende til vannpumpen ved å skyve slangen inn i pumpens slangeinntak.



2. Plasser og fest pumpeslangen i damejeanne.



3. Koble til og start vannpumpen når tilkoblingen er opprettet.

	Vent 2-3 minutter etter at pumpen er startet for å oppnå ønsket effektivitet.
	Se også pumpens brukerveiledning for vanntilkobling.
	Vannfilter er ikke nødvendig når du bruker damejeanne.

4.9 Vannfilter

(Valgfritt)

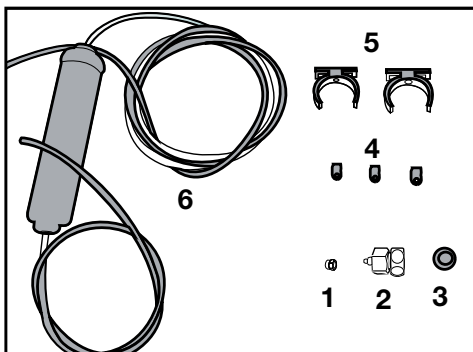
Produktet kan ha internt eller eksternt filter, avhengig av modell. Følg instruksjonene nedenfor for å feste vannfilteret.

4.9.1 Feste eksternt filter til veggen (valgfritt)



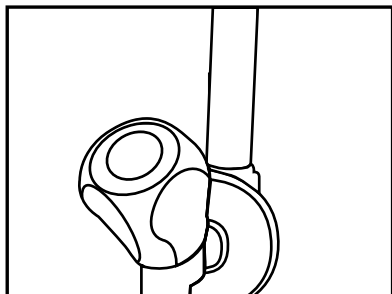
ADVARSEL: Ikke fest filteret på produktet.

Sjekk om følgende deler følger med produktmodellen:

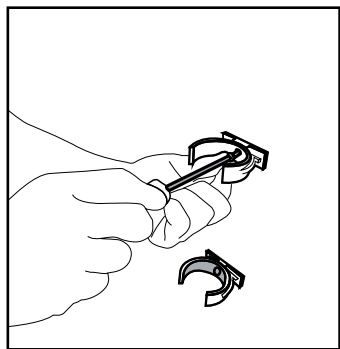


1. Kontakt (1 stk.): Brukes til å feste vannslangen på baksiden av produktet.
 2. Kranadapter (1 stk.): Brukes til å koble til kaldtvannsnettet.
 3. Porøst filter (1 stk)
 4. Slangeklemme (3 stk.): Brukes til å feste vannslangen til veggen.
 5. Filterkoblingsapparat (2 stk.): Brukes til å feste filteret til veggen.
 6. Vannfilter (1 stk.): Brukes til å koble produktet til vannledningen. Vannfilter er ikke nødvendig når du bruker damejeannetilkobling.
1. Koble kranadapteren til vannledningsventilen.
 2. Bestem hvor det eksterne filteret skal festes. Fest filterets tilkoblingsapparat (5) til veggen.

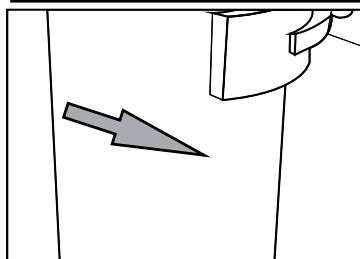
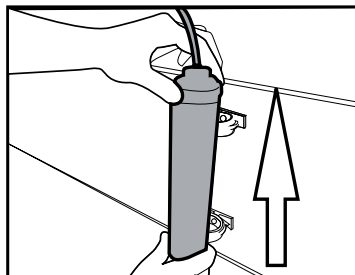
1. Fest filteret loddrett på filtertilkoblingsapparatet, som angitt på etiketten. (6)



2. Fest vannslangen som strekker seg fra toppen av filteret til produktets vanntilkoblingsadapter, (se 4.6.)

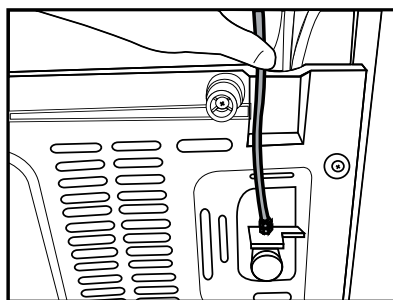


Tilkoblingen skal se ut som figuren nedenfor når den er opprettet.

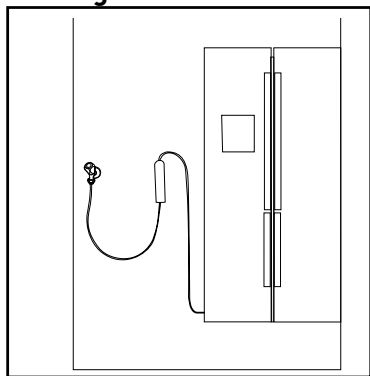


4.9.2 Internt filter

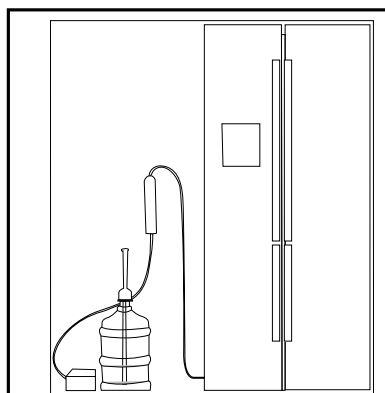
Det interne filteret som følger med produktet er ikke installert ved levering; følg instruksjonene nedenfor for å installere filteret.



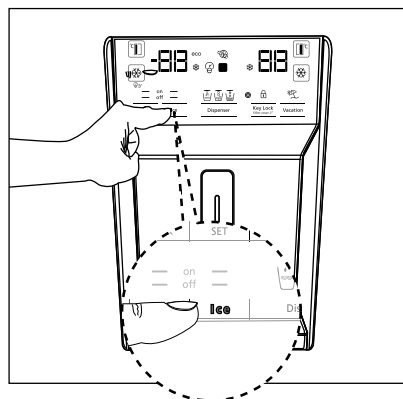
Vannledning:



Damejeanneledning:

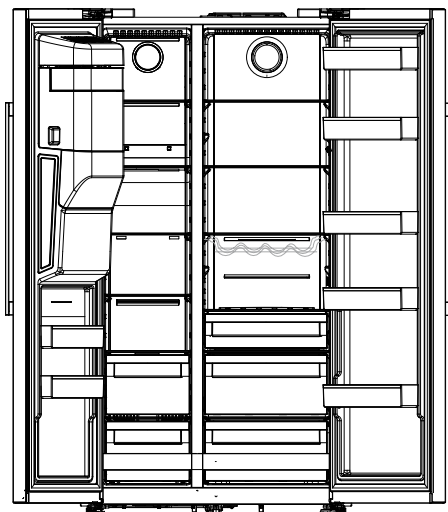


1. «**ls av**»-indikatoren må være aktiv når du installerer filteret. Slå **PÅ/AV**-indikatoren ved hjelp av «**ls**»-knappen på skjermen.



2. Fjern grønnsaksrommet for å få tilgang til vannfilteret.

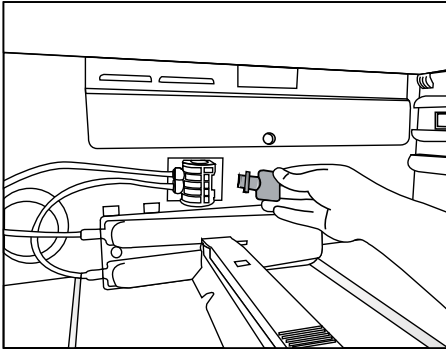
Fjern vannfilterets deksel ved å trekke i det.





Noen dråper vann kan renne ut etter at lokket er fjernet. Dette er normalt.

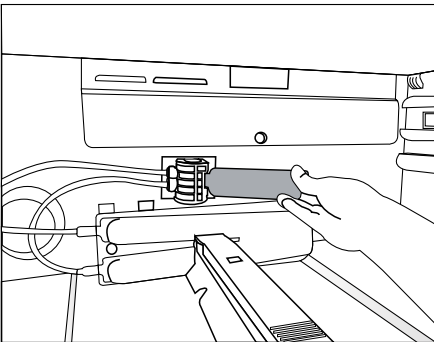
1. Plasser vannfilterdekselet i mekanismen og trykk for å låse det på plass.



2. Trykk på «**Is**»-knappen på skjermen igjen for å avbryte «**Ice Off**»-modus.



Vannfilteret vil fjerne visse fremmedlegemer i vannet. Det vil ikke fjerne mikroorganismer i vannet.



5 Forberedelse



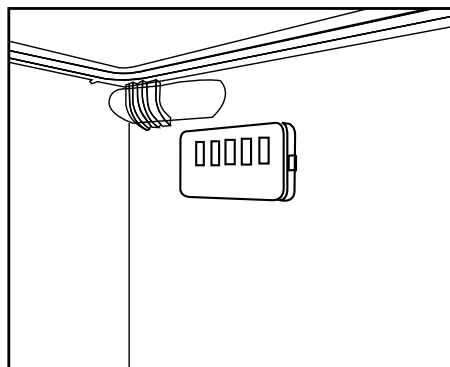
Les avsnittet
"Sikkerhetsinstruksjoner" først!

5.1 Hva kan du gjøre for å spare energi



Å koble produktet
til elektroniske
energisparingsystemer
kan skade produktet.

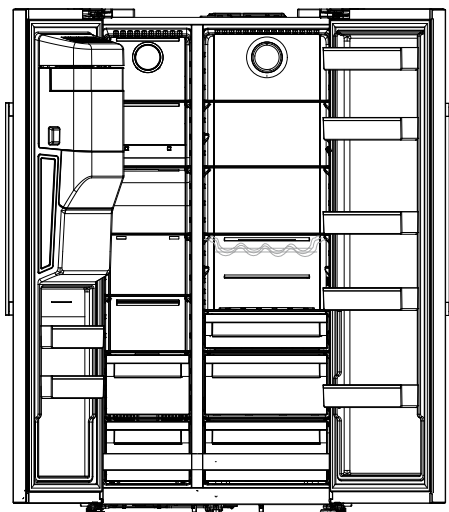
- Ikke la kjøleskapdørene stå åpne i lengre perioder.
- Ikke sett varm mat eller drikke i kjøleskapet.
- Ikke overfyll kjøleskapet. Blokkering av den interne luftstrømmen vil redusere kjølekapasiteten.
- Avhengig av produktets funksjoner: Tining av frossen mat i kjøledelen vil sikre energisparing og bevare matkvaliteten.
- Mat skal oppbevares ved bruk av skuffene i kjølerommet for å sikre energisparing og beskytte mat under bedre forhold.
- Kontroller at maten ikke er i kontakt med temperatursensoren for kjølerommet beskrevet nedenfor.



- Siden varm og fuktig luft ikke vil trenge direkte inn i produktet når dørene ikke er åpne, vil produktet optimalisere seg selv under tilstrekkelige forhold for å beskytte maten. I denne energisparefunksjonen vil funksjoner og komponenterslik som kompressor, vifte, varmeapparat, tining, belysning, display og så videre fungere i henhold til energibehovene for å forbruke minimalt med energi og samtidig holde maten fersk.

5 Forberedelse

- Hvis det finnes flere alternativer, må glasshyllene plasseres slik at luftutløpene på bakveggen ikke blokkeres, fortrinnsvis forblir luftutløp under glasshyllen. Denne kombinasjonen kan bidra til å forhindre luftfordeling og energieffektivitet.



- i** Du vil høre en lyd når kompressoren aktiveres. Det er vanlig å høre lyden selv når kompressoren er inaktiv, på grunn av de komprimerte væskene og gassene i kjølesystemet.
- i** Det er normalt for de fremre kantene av kjøleskapet å bli varme. Disse områdene er utviklet for å varmes opp for å hindre kondensering.
- i** For noen modeller slås indikatorpanelet av automatisk 1 minutter etter at døren lukkes. Den vil bli aktivert på nytt når døren er åpen eller når du trykker på en knapp.

5.2 Første operasjon

Før du tar i bruk kjøleskapet, må du kontrollere at nødvendige forberedelser er gjort i tråd med instruksjonene i avsnittene "Sikkerhets- og miljøinstrukser" og "Installering".

- Hold produktet i gang uten å ha mat i løpet av 12 timer og ikke åpne døren, med mindre det er absolutt nødvendig.

6 Bruk av produktet

6.1 Pause programmet

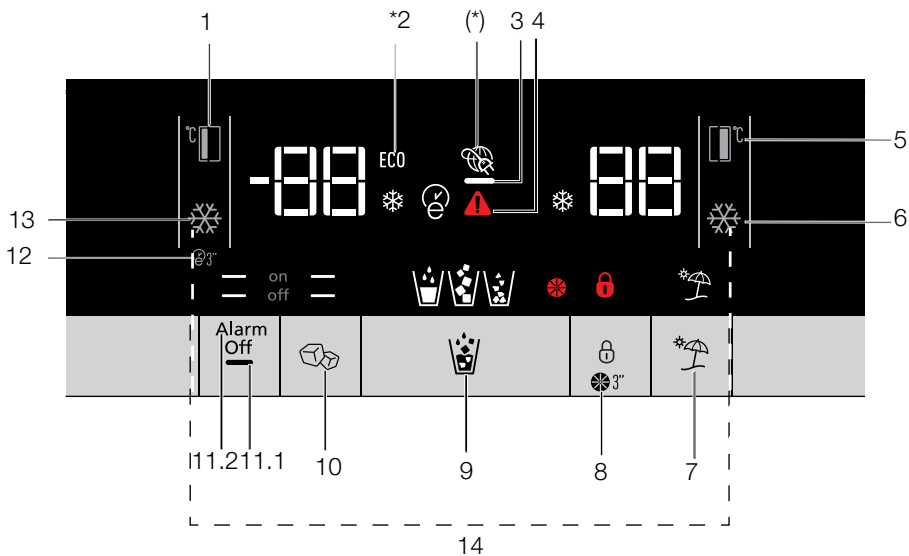


Les avsnittet
"Sikkerhetsinstruksjoner" først!

- Ikke bruk mekaniske verktøy eller andre verktøy de som er anbefalt av produsenten til å tine matvarer raskere.
- Ikke bruk deler av kjøleskapet slik døren eller skuffene som en støtte eller trinn. Dette kan føre til at produktet faller overende eller at dets komponenter blir skadet.
- Produktet skal kun brukes til oppbevaring av mat.
- Slå av vannventilen hvis du er borte fra hjemmet (f.eks. på ferie), og du ikke vil bruke ismaskinen eller vanddispenseren på en stund. Ellers kan det oppstå vannlekkasjer.
- Hvis du ikke skal bruke produktet på en stund;
 - - koble det fra strømmen,
 - - fjern maten for å hindre dårlig lukt,
 - - vent til isen er tint,
 - - rengjør innsiden og vent til den er tørket.
 - - La dørene være åpne for å hindre skade på innvendig plast.

6.2 Indikatorpanel

Indikatorpanelene kan variere avhengig av produktmodellen. Audiale eller visuelle funksjoner på indikatorpanelet vil bistå i bruk av kjøleskapet.




1. Innstilling av temperatur i fryseravdelingen
2. Økonomi-modus
3. Strømsparingsfunksjon (display slått av)
4. Strømbrudd/Høy temperatur/ Feilvarsellampe
5. Innstilling av temperatur i kjøleskapsavdelingen
6. Hurtigkjøling
7. Feriefunksjon
8. Kansellering tastaturlås/ utskifting av filter
9. Valg av vann, knust is, isbiter
10. Tilvirkning av is slått på/av
11. Display slått på/av /Advarsel „Alarm av“
12. Auto-øko
13. Hurtigfrysing
14. Konvertering av Celcius/ Fahrenheit



*Tilleggsutstyr: Figurene i denne brukerveiledningen er skjematiske, og vil ikke nødvendigvis tilsvare ditt produkt nøyaktig. Hvis produktet ditt ikke inneholder de relevante delene, gjelder informasjonen for andre modeller.

1. Innstilling av temperatur i fryseravdelingen

Å trykke på knappen () vil gjøre det mulig å stille inn temperaturen i fryseravdelingen til -18, -19, -20, -21, -22, -23, -24...

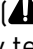
2. Økonomi-modus

Indikerer at kjøleskapet går på strømsparingsmodus. Denne indikatoren vil være aktiv når temperaturen i fryseravdelingen er stilt inn på -18 eller den strømsparende kjølingen er koblet inn via øko-ekstra-funksjonen. (ECO)

3. Strømsparingsfunksjon (display slått av)


Dersom produktets dører holdes lukket over lengre tid, vil strømsparingsfunksjonen bli aktivert automatisk og strømsparings-symbolet lyser opp. Når strømsparingsfunksjonen er aktivert, vil alle symboler på displayet foruten strømsparings-symbolet slås av. Når strømsparingsfunksjonen er aktivert, dersom det trykkes på en knapp eller døren åpnes, vil strømsparingsfunksjonen bli kansellert og symbolene på displayet returnere til normal. Energisparingsfunksjonen er aktivert ved levering fra fabrikk og kan ikke avbrytes.

4. Strømbrudd-/høy temperatur-/feilvarsellampe


Denne indikatoren () lyser opp ved feil ved høy temperatur og varsler om defekt. Denne indikatoren lyser opp ved

strømfeil, feil ved høy temperatur og varsler om defekt. Ved langvarig strømsvikt vil den høyeste temperaturen som oppnås i fryserrommet blinke i det digitale displayet. Etter å ha sjekket matvarene som er plassert i fryserdelen, trykker du på koble ut alarm-knappen for å slette advarselen.



5. Innstilling av temperatur i kjøleskapsavdelingen

Etter å ha trykket på knappen () kan temperaturen i kjøleravdelingen stilles inn på hhv. 8, 7, 6, 5, 4, 3, 2...


6. Hurtigkjøling

For hurtig nedkjøling, trykk på knappen; det vil aktivere indikatoren for hurtigkjøling(). Trykk på denne knappen på nytt for å deaktivere denne funksjonen. Benytt denne funksjonen når du plasserer ferske matvarer i kjøleravdelingen eller for å raskt kjøle ned matvarene. Når denne funksjonen er aktivert, vil kjøleskapet bli koblet inn i én time.


7. Feriefunksjon

Når feriefunksjonen () er aktiv, vises "- -" på kjøleravdelingens temperaturindikator og ingen kjølingsprosess vil være aktiv i kjøleravdelingen. Denne funksjonen egner seg ikke for å oppbevare mat i kjøleravdelingen. Andre avdelinger vil forbli nedkjølt med den respektive temperaturen stilt inn for hver enkelt avdeling. Trykk på feriefunksjons-knappen for å kansellere denne funksjonen. ()


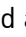
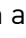
8. Kansellering tastaturlås/ utskifting av filter

Trykk på tastaturlås-knappen () for å aktivere tastaturlåsen.



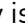
Du kan også bruke denne funksjonen for å hindre endring av kjøleskapstemperatur-innstillingene. Kjøleskapets filter må skiftes ut hver 6. måned.

Trykk på og hold inne knappen () i tre sekunder for å slå av filtervarslingslyset.

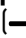

9. Valg av vann, knust is, isbiter

Naviger for valg av vann (), isbit () og knust is () ved å bruke knapp nummer 8. Den aktive indikatoren vil fortsette å lyse.

10. Tilvirkning av is slått på/av

Trykk på knappen () for å kansellere (off ) eller aktivere (on ) tilvirkning av is.

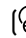
11.1 Display slått på/av

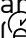
Trykk på knappen ( off) for å kansellere (XX) eller koble inn ( on) displayet på/av.

11.2 Advarsel „Alarm av“

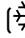
I tilfelle varsel om strømfeil/høy temperatur, må du etter å ha sjekket matvarene som er plassert i fryseravdelingen, trykke på alarmutkoblingsknappen for å slette varslet.

12. Auto-øko

Trykk på øko-knappen () i tre sekunder for å aktivere funksjonen. Dersom døren forblir lukket i lang tid mens denne funksjonen er aktivert, vil kjøleravdelingen slås over til økonomi-modus. Trykk på knappen på nytt for å deaktivere denne funksjonen.

Indikatoren vil lyse opp etter at det har gått seks timer når auto-øko-funksjonen er aktiv. ()

13. Hurtigfrysing

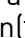

Trykk på knappen () for hurtigfrysing Trykk på knappen på nytt for å deaktivere funksjonen.

Når funksjonen for hurtigfrysing er slått på, vil indikatoren for hurtigfrysing lyse og temperaturindikatoren for fryserommet vil vise verdien -27.

Trykk på hurtigfryseknappen () igjen for å avbryte denne funksjonen. Hurtigfrysindikatoren vil slå seg av og gå tilbake til normal innstilling.

Funksjonen for hurtigfrysing vil automatisk bli kansellert etter 24 timer, med mindre den avbrytes av brukeren. For å fryse en stor mengde fersk mat, trykk hurtigfryseknappen 24 timer før du legger maten i fryseren.

14. Konvertering av Celcius/ Fahrenheit

Temperaturverdier kan konverteres mellom Celsius og Fahrenheit ved å trykke på hurtigfrystasten () og hurtigkjølingstasten () 3 sekunder

ENG

ES

SV

NO

FI

DA

PT

EL

6.3 Luktjerningsmodul

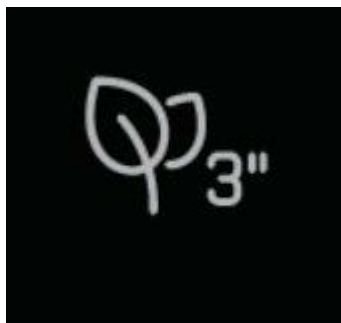
(OdourFresh +)

*Kanskje ikke tilgjengelig i alle modeller

Luktjerningsmodulen eliminerer de vonde luktene i kjøleskapet raskt før de gjennomsyrer overflatene. Takket være denne modulen, som er montert på taket i ferskvarerommet, oppløses den dårlige lukten mens luften aktivt føres over luktfilteret, og luften som har blitt rensert av filteret, slippes deretter ut på nytt til ferskvarerommet. Dette eliminerer den uønskede lukten som kan oppstå under oppbevaring av matvarer i kjøleskapet før de gjennomsyrer overflatene.

Dette oppnås takket være viften, LED-pæren og luktfilteret som er integrert i modulen.

Når du vil bruke luktjerningsmodulen, må du aktivere den med indikatorknappen.



6.4 Grønnsaksboks med kontrollert fuktighet

(tilleggsutstyr)

Med fuktstyrings-funksjonen, holdes grønnsakenes og fruktens fuktighetsgrad under kontroll, noe som sikrer at matvarer holder seg ferske lengre.

Det anbefales å lagre bladgrønnsaker som salat og spinat og lignende grønnsaker som er utsatt for tap av fuktighet ikke på røttene, men i horisontal posisjon inn i grønnsaksboksen i størst mulig grad.

Når du legger inn grønnsakene, så plasser tunge og harde grønnsaker nederst og lette og myke grønnsaker på toppen; ta hensyn til de enkelte grønnsakenes spesi-
fikke vekt.

Oppbevar ikke grønnsaker i grønnsaksboksen i plastposer. Å oppbevare dem i plastposer, får grønnsaker til å råtne raskere.

I situasjoner hvor kontakt med andre grønnsaker ikke er å foretrekke, bruk emballasje slik som papir som har en viss porøsitet når det gjelder hygiene.

Ikke legg frukt som produserer mye etylengass, slik som pære, aprikos, fersken og særlig eple, i samme grønnsaksboks som andre grønnsaker og annen frukt. Etylengassen som kommer ut av disse fruktene vil kunne forårsake at andre grønnsaker og frukt modnes raskere og råtner på kortere tid.

6.5 Blått lys /Vitamin Care-teknologi

***Kanskje ikke tilgjengelig i alle modeller**

For det blå lyset,

Frukt og grønnsaker som er lagret i grønnsaksskuff som er opplyst med blått lys fortsetter sin fotosyntese ved hjelp av bølgelengdeeffekten av blått lys og bevarer dermed vitamin C-innholdet lenger.

For VitaminCare+,

Frukt og grønnsaker som er lagret i grønnsaksskuffer opplyst med VitaminCare+-teknologien, bevarer deres vitamin A- og C-innhold i lengre tid takket være de blå, grønne, røde lysene og mørke sykluser, som simulerer en dagsyklus.

Med denne teknologien kan du holde frukt og grønnsaker velsmakende og sunne lenger, noe som hjelper deg å minimere matavfall hjemme.

Hvis du åpner døren til kjøleskapet i den mørke perioden av VitaminCare+-teknologien, vil kjøleskapet automatisk oppdage dette og gjøre det mulig for det blågrønne eller røde lyset å lyse opp grønnsaksskuffen. Etter at du har lukket døren til kjøleskapet, vil den mørke perioden fortsette, som representerer nattetiden i en dagsyklus.

ENG

ES

SV

NO

FI

DA

PT

EL

6.6 Bruke vannfontenen

(Denne funksjonen er valgfri)

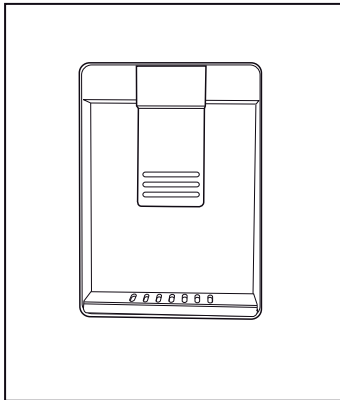


De første glassene med vann som blir tatt fra fontenen, vil normalt være varme.



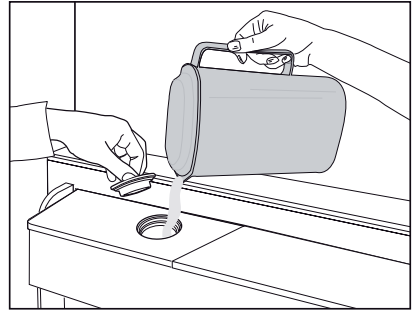
Hvis vannfontenen ikke blir brukt over lang tid, må du kaste de første glassene med vann for å få rent vann.

- 1- Skyv armen på vannfontenen med glasset ditt. Det vil være lettere å skyve armen med hånden hvis du bruker et mykt plastglass.



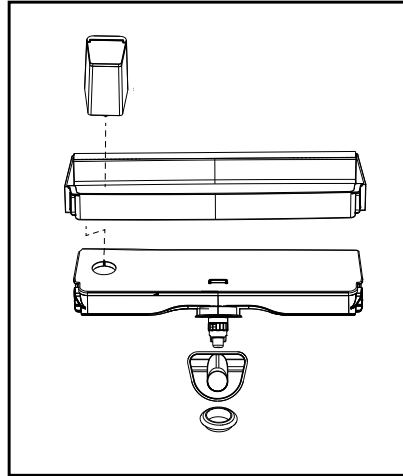
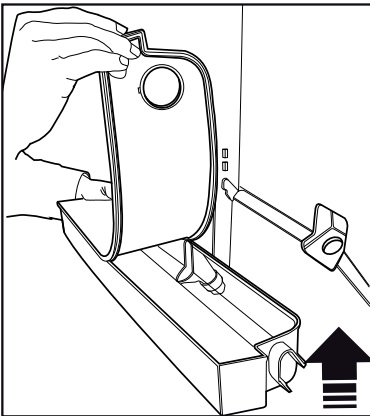
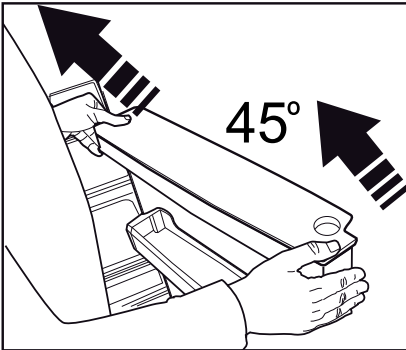
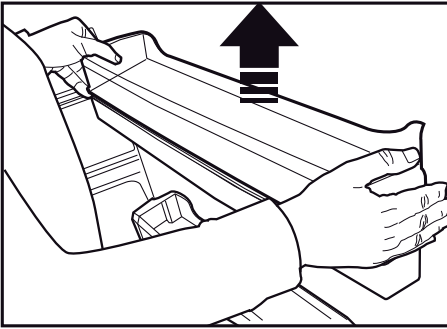
Mengden vannstrøm fra fontenen avhenger av trykket du påfører armen. Slipp trykket på armen litt når vannstanden i glasset/holderen økes for å forhindre at vannet renner over. Vann skal dryppe hvis du trykker litt på armen; dette er normalt og ikke en feil.

2. Slipp armen etter at du har fylt glasset med vann som du ønsker.



6.7 Fylle vanntanken til fontenen

Åpne lokket på vanntanken som vist på figuren. Fyll med rent drikkevann. Lukk lokket.



6.8 Rengjøring av vanntanken

Fjern vannfyllingsbeholderen i dørhyllen. Løsne ved å holde begge sider av dørhyllen.

Hold begge sider av vanntanken og fjern den i en 45° vinkel.

Fjern og rengjør lokket på vanntanken.



Vanntanken skal ikke fylles med fruktjuice, brus, alkoholholdige drikker eller andre væsker som ikke er kompatible med vannfontenen. Bruk av slike væsker vil føre til funksjonsfeil og uopprettelig skade i vannfontenen. Å bruke fontenen på denne måten dekkes ikke av garantien. Slike visse kjemikalier og tilsetningsstoffer i drikke/væsker kan føre til materiell skade på vanntanken.



Vanntankens og vannfontenens komponenter kan ikke vaskes med oppvaskmaskiner.



Vanntankens og vanddispenserens komponenter skal ikke vaskes i oppvaskmaskin.

6.12 Luktfilter

(Denne funksjonen er valgfri)

Luktfilteret i kjølerommets luftkanal vil forhindre uønsket luktdannelse.

6.9 Meieribeholder (kjølerom)

***Kanskje ikke tilgjengelig i alle modeller**

«Beholderen for meieriprodukter gir lavere temperatur i kjølerommet. Bruk denne beholderen til å lagre delikatesser (salami, pølser, meieriprodukter osv.) som krever lavere lagringstemperatur eller kjøtt-, kylling- eller fiskeprodukter for øyeblikkelig forbruk. Ikke oppbevar frukt og grønnsaker i denne beholderen.

6.10 Grønnsaksrom

Kjøleskapets grønnsaksrom er designet for å holde grønnsaksrom friske ved å bevare fuktigheten. For dette formål intensiveres den totale kaldluftsirkulasjonen i grønnsaksrommet. Oppbevar frukt og grønnsaker i dette rommet. Oppbevar de grønne bladene og fruktene separat for å forlenge levetiden deres.

6.11 Ionisator

(Denne funksjonen er valgfri)

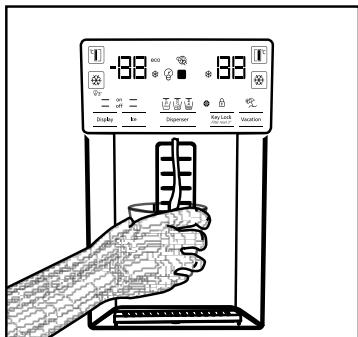
Ionisatorsystemet i kjølerdelens luftkanal ioniserer luften. De negative ionutslippene eliminerer bakterier og andre molekyler som forårsaker dårlig lukt i luften.

6.13 Ta is/vann

(Valgfritt)

For å ta vann (☺) / isbit (☹) / fragmentert is (☹) bruker du skjermen til å velge det aktuelle alternativet.

Ta vann/is ved å skyve utløseren på vannfontenen fremover. Når du bytter mellom isbit (☹) / fragmentert is (☹), kan den forrige istypen slippes ut flere ganger.



- Du må vente ca. 12 timer før du tar is fra is-/vannfontenen for første gang. Fontenen kan ikke tømme is hvis det ikke er nok is i isboksen.
- De 30 isbitene (3-4 liter) som tas etter første operasjon, skal ikke brukes.
- Ved strømavbrudd eller midlertidig funksjonsfeil kan isen delvis smelte og fryse igjen. Dette vil føre til at isbitene smelter sammen. I tilfelle strømbrudd eller funksjonsfeil kan isen smelte og lekke ut. Hvis du opplever dette problemet, fjerner du isen i isboksen og rengjør boksen.



ADVARSEL: Produktets vannsystem skal kun kobles til kaldtvannsledning. Ikke koble til varmtvannsledningen.

- Produktet kan ikke tømme vann under første operasjon. Dette forårsakes av luften i systemet. Luften i systemet må slippes ut. For å gjøre dette trykker du på vannfontenen i 1-2 minutter til fontenen tømmer vann. Den opprinnelige vannstrømmen kan være uregelmessig. Vannet strømmer normalt når luften i systemet slippes ut.
- Vannet kan være uklart første gang filteret brukes; ikke bruk de første 10 glassene med vann.
- Du må vente omtrent 12 timer på å få kaldt vann etter første installasjon.
- Produktets vannsystem er bare beregnet på rent vann. Ikke bruk andre drikker.
- Det anbefales å koble fra vannforsyningen hvis produktet ikke skal brukes i lange perioder, for eksempel når du er på ferie, osv.
- Hvis vannfontenen ikke blir brukt over lang tid, kan de første 1-2 glassene du får være varme.

ENG

ES

SV

NO

FI

DA

PT

EL

Vannet fylles med vann over tid i vandispenserens nedre sone. Det anbefales å rengjøre vannet innenfor denne sonen med jevne mellomrom. Når isen faller fra islageret, er lyden normal og indikerer ikke at produktet er problematisk. Bladmekanismen i isbanken er skarp og kan kutte hånden din. Hvis isdispenseren ikke gir is, kan isbitene sitte fast til hverandre. Ta ut tanken og rengjør den igjen. Istype kan ikke endres på skjermen når isutløseren trykkes for å få is. Slipp utløseren, endre istypen på skjermen og få is igjen.

6.14 Frysing av fersk mat

- For å bevare kvalitet på maten, må matvarer som er plassert i fryseren fryses så raskt som mulig. Bruk hurtigfrysing til dette.
- For å fryse en stor mengde fersk mat, trykker du knappen for rask frysing 24 timer før du setter mat i fryserdelen.
- Frysing av ferske matvarer vil forlenge lagringstiden i fryserdelen.
- Pakk matvarene i lufttette pakker og forsegle ordentlig.
- Sørg for å pakke inn matvarer før du setter dem i fryseren. Bruk fryserholdere, tinnfolie og fuktfast papir, plastpose eller lignende emballasjematerialer istedenfor tradisjonelt emballasjepapir.
- Merk hver matpakke ved å skrive datoen på pakken før den fryses. Dette lar deg bestemme ferskhete til hver pakke hver gang fryseren åpnes. Oppbevar tidligere matvarer foran, for å sikre at de brukes først.
- Frosne matvarer må brukes umiddelbart etter tining, og bør ikke fryses på nytt.
- Ikke ta ut store mengder mat samtidig.

Innstilling for fryserdelen	Innstilling for kjøledelen	Beskrivelser
-18 °C	4°C	Dette er standard, anbefalt innstilling.
-20,-22 eller -24°C	4°C	Disse innstillingene anbefales for omgivelsestemperaturer over 30 °C.
Rask frysing	4°C	Trykk på Rask frysing-funksjonen 24 timer før du setter inn maten. Produktet vil tilbakestilles til tidligere innstillinger når prosessen er ferdig.
-18 °C eller kaldere	2°C	Bruk disse innstillingene hvis du ikke føler at kjøledelen er kald nok på grunn av omgivelsestemperaturen eller at døren åpnes for ofte.

6.15 Anbefalinger for lagring av frose matvarer

Rommet må settes til minst -18 °C.

1. Plasser matvarene i fryseren så raskt som mulig for å unngå tining.
2. Før du fryser sjekker du "Utløpsdato" på pakken for å forsikre deg om at den ikke er utløpt.
3. Forsikre deg om at matens emballasje ikke er skadet.

6.16 Detaljer om dypfryser

I henhold til IEC

62552-standardene må fryseren ha kapasitet til å fryse 4,5 kg med matvarer ved -18 °C eller lavere temperaturer på 24 timer for hvert

100 liter med fryserdelvolum.

Matvarer kan bare konserveres i lengre perioder ved eller under -18 °C. Du kan holde matvarene ferske i flere måneder (i fryser ved eller under 18 °C).

For å unngå delvis tining må ikke matvarene som skal fryses komme i kontakt med maten i fryserdelen som allerede er fryst. Kok opp grønnsakene og filtrer vannet for å forlenge perioden for frossen lagring. Legg maten i lufttette pakker etter filtrering, og legg den i fryseren. Bananer, tomater, salat, selleri, kokte egg, poteter og lignende matvarer skal ikke fryses. Frysing av disse matvarene vil bare redusere næringsverdien og matkvaliteten, og kan forderve maten, som er helseskadelig.

6.17 Plassering av mat

Hyller for fryserdel	Diverse frosne matvarer som kjøtt, fisk, is, grønnsaker og så videre.
Hyller for kjølerdel	Matvarer i pottes, avdekket tallerken og avdekkede esker, egg (i avdekket eske)
Dørhyller for kjølerdel	Liten og pakket mat eller drikke
Grønnsaksrom	Frukt og grønnsaker
Beholder for fersk mat	Delikatesser (frokostmat, kjøttprodukter som skal konsumeres på kort varsel)

Lampe(r) som brukes i dette apparatet kan ikke brukes til husbelysning. Denne lampen er beregnet på å hjelpe brukeren med å plassere mat i kjøleskapet/fryseren trygt og komfortabelt.

6.18 Varsel om åpen dør

(Denne funksjonen er valgfri)

Et hørbart varsel lyder hvis produktets dør forblir åpen i 1,5 minutt. Det hørbare varselet stopper når døren lukkes eller når du trykker på en knapp på displayet (hvis tilgjengelig).

6.19 Belysningslampe

Innvendig lys bruker en LED-lampe. Kontakt autorisert service for eventuelle problemer med denne lampen.

7 Vedlikehold og rengjøring



ADVARSEL: Les avsnittet «Sikkerhetsinstruksjoner» først!.



ADVARSEL: Trekk ut kjøleskapet før rengjøring.

- Ikke bruk skarpe eller slipende verktøy til å rengjøre produktet. Ikke bruk materialer slik som rengjøringsmidler for husholdningen, såpe, vaskemidler, gass, bensin, alkohol, voks osv.
- Støvet skal fjernes fra ventilasjonsgitteret bak på produktet minst én gang i året (uten å lokke lokket). Rengjøring skal utføres med en tørr klut.

For produkter med vannfontene/ismaskin

- Hvis vannet i vanntanken har ventet i 2-3 uker, må det byttes ut.
- Vanntanken og vannfontenens komponenter skal ikke vaskes i oppvaskmaskiner.
- Smelt en teskje karbonat i vannet. Fukt et tøystykke i vannet og vri ut vannet. Tørk av enheten med denne kluten og tørk den av grundig.
- Hold vann bort fra lampens deksel og andre elektriske deler.
- Rengjør døren med en fuktig klut. Fjern alt innholdet for å fjerne døren og karosseristativene. Fjern dørstativene ved å løfte dem oppover. Rengjør og tørk hyllene, og fest dem på plass ved å skyve ovenfra.
- Ikke bruk klorert vann eller rengjøringsprodukter på den utvendige overflaten og de krombelagte delene av produktet. Klor vil føre til rust på slike metalloverflater.
- Ikke bruk skarpe og slipende verktøy, såpe, husrengjøringsmidler, vaskemidler, gass, bensin, lakk

og lignende stoffer for å hindre at plastdelen deformeres og fjerne utskrifter fra delen. Bruk varmt vann og en myk klut til rengjøring, og tørk den deretter tørr.

- På produkter uten Nullfrust-funksjon kan vandrdåper og ising i en tykkelse på opptil én finger forekomme på bakveggen i frysedelen. Ikke rengjør, og bruk aldri oljer eller lignende materialer. Bruk en mildt fuktet mikrofiberduk for å rengjøre produktets utvendige overflate. Svamper og andre typer rengjøringsduker kan forårsake riper.
- For å rengjøre alle flyttbare komponenter under rengjøring av produktets indre overflate, må du vaske disse komponentene med en skånsom løsning bestående av såpe, vann og karbonat. Vask og tørk grundig. Forhindre at vann kommer i kontakt med belsningskomponenter og kontrollpanelet.



FORSIKTIGHETSREGEL:

Ikke bruk eddik, isopropanol- eller etanoloppløsning eller andre rengjøringsmidler basert på alkohol på noen indre overflater.

7.1 Ytre overflater i rustfritt stål

Bruk et ikke-slipende rengjøringsmiddel i rustfritt stål og påfør det med en myk, lofri klut. Bruk forsiktige strøk for å polere overflaten med en mikrofiberduk fuktet med vann, og bruk pusseskinn. Følg alltid venene til de rustfrie stålet.

7 Vedlikehold og rengjøring

7.2 Rengjøring av produktene med glassdører

Fjern beskyttelsesfolien på brillene. Det er et belegg på brillenes overflate. Dette belegget minimerer dannelse av flekker og gir enkel rengjøring av flekker og smuss. Glass som ikke er beskyttet av belegg kan bli utsatt for permanent binding av organiske eller uorganiske, luft- og vannbaserte kontamineringer slik som kalkstein, mineralsalter, uforbrente hydrokarboner, metalloksider og silikoner, som lett kan forårsake flekker og fysisk skade på kort tid. Å holde brillene rene blir veldig vanskelig, om ikke umulig, selv om de rengjøres regelmessig. Dette fører til at glassets gjennomsiktighet og utseende forverres. Harde og slipende rengjøringsmetoder og -midler øker disse feilene ytterligere og akselererer forverringsprosessen.

For rutinemessige rengjøringsprosesser skal *ikke-alkaliske og ikke-etsende vannbaserte rengjøringsprodukter brukes. For å få belegget til å vare lenger skal ikke alkaliske og etsende stoffer brukes under rengjøring.

En herdingsprosess brukes til å gjøre disse brillene mer bestandige mot støt og brudd.

Som en ekstra sikkerhetsforanstaltning er det påført en sikkerhetsfilm på baksiden av disse brillene for å hindre skade på miljøet ved brudd.

7.3 Forebygging av dårlig lukt

Produktet er produsert uten illeluktende materialer. Lagring av maten i upassende deler og feil rengjøring av innvendige overflater kan imidlertid føre til dårlige lukter.

Du kan unngå dette ved å rengjøre innsiden med kullsyreholdig vann hver 15. dag.

- Hold matvarer i forseglede beholdere. Mikroorganismer kan spre seg ut av utette matvarer og føre til dårlig lukt.
- Ikke oppbevar utgått og fordervet mat i kjøleskapet.



Te er én av de mest effektive luktfjernerne. Plasser massen av brygget te i produktet i en åpen beholder og fjern den senest etter 12 timer. Hvis du holder te-massen i produktet i mer enn 12 timer, vil den samle organismer som forårsaker lukten, slik at den kan bli selve luktkilden.

7.4 Beskyttelse av plastoverflater

Olje som søles på plastoverflater kan skade overflaten og må rengjøres umiddelbart med varmt vann.

8. Feilsøking

Sjekk denne listen før du kontakter servicesenteret. Dette vil spare deg tid og penger. Denne listen omfatter hyppige klager som ikke er relatert til produksjons- eller materialfeil. Enkelte funksjoner som er nevnt her, gjelder kanskje ikke for dette produktet.

Kjøleskapet fungerer ikke.

- Støpselet sitter ikke ordentlig. >>> Plugg det i slik at det sitter ordentlig i kontakten.
- Sikringen som er koblet til stikkkontakten som gir strøm til produktet eller hovedsikringen er gått.>>> Kontroller sikringene.

Kondens på sideveggen av kjøledelen (MULTIZONE (FLERE SONER), COOL (KJØLIG), CONTROL (KONTROLL) og FLEXI ZONE (FLEKSISONE)).

- Døren åpnes for ofte >>> Pass på ikke å åpne døren til produktet for ofte.
- Miljøet er for fuktig. >>> Produktet må ikke monteres i fuktige miljøer.
- Mat som inneholder væske oppbevares i utette beholdere. >>> Mat som inneholder væske må oppbevares i forseglede beholdere.
- Døren til produktet står åpen. >>> Døren til produktet må ikke stå åpen i lengre perioder.
- Termostaten er satt til en altfor lav temperatur. >>> Sett termostaten til egnet temperatur.

Kompressoren virker ikke

- I tilfelle plutselige strømbrudd eller hvis støpselet trekkes raskt ut og settes inn igjen, er ikke gasstrykket i produktets kjølesystem balansert. Dette vil utløse kompressoren varmebeskyttelse. Produktet starter på nytt etter omtrent seks minutter. Hvis produktet ikke starter igjen etter denne perioden, kontakter du servicesenteret.
- Avriming er aktivert. >>> Dette er normalt for et helautomatisk avrimingsprodukt. Avrimingen utføres periodisk.
- Produktet er ikke plagget inn. >>> Sørg for at strømledningen er plagget inn.
- Temperaturinnstillingen er feil. >>> Velg egnet temperaturinnstilling.
- Strømmen er gått. >>>Produktet vil fortsette å fungere som normalt når strømmen kommer tilbake.

Driftsstøyen til produktet øker under bruk.

- Produktets ytelse kan variere avhengig av omgivelses temperaturvariasjoner. Dette er normalt og ikke en feil.

Kjøleskapet kjøres for lenge eller for ofte.

ENG

ES

SV

NO

FI

DA

PT

EL

- Det nye produktet kan være større enn det forrige. Større produkter kjøres i lengre perioder.
- Romtemperaturen kan være for høy. >>> Produktet vil normalt kjøres i lange perioder ved høyere romtemperatur.
- Produktet kan ha blitt koblet til nylig eller en ny matvare er blitt satt inn i kjøleskapet. >>> Produktet vil bruke lenger til på å nå den innstilte temperaturen når den nylig er blitt koblet til eller en ny matvare er plassert i kjøleskapet. Dette er normalt.
- Store mengder varm mat kan ha blitt satt inn i produktet nylig. >>> Ikke sett varm mat i produktet.
- Dørene ble åpnet ofte eller ble holdt åpne i lange perioder. >>> Innvendig sirkulasjon av varmluft til føre til at produktet ikke kjører lenger. Dørene må ikke åpnes for ofte.
- Fryser- eller kjøledøren står kanskje på gløtt. >>> Kontroller at dørene er helt lukket.
- Produktet kan ha blitt satt til en altfor lav temperatur. >>> Sett temperaturen på en høyere temperatur og vent til produktet når den justerte temperaturen.
- Kjøle- eller fryserdørskiven kan være skitten, utslitt, ødelagt eller ikke satt inn riktig. >>> Rengjør eller bytt ut skiven. En skadet/revet dørskive vil føre til at produktet kjører i lengre perioder for å opprettholde gjeldende temperatur.

Frysetemperaturen er meget lav, men den kjøletemperaturen er tilstrekkelig.

- Fryserdelen er satt til en veldig lav temperatur. >>> Sett fryserdelen til en høyere temperatur og kontroller på nytt.

Kjøletemperaturen er meget lav, men den frysetemperaturen er tilstrekkelig.

- Kjøledelen er satt til en veldig lav temperatur. >>> Sett kjøledelen til en høyere temperatur og kontroller på nytt.

Matvarene som oppbevares i kjøledelen er frosne.

- Kjøledelen er satt til en veldig lav temperatur. >>> Sett fryserdelen til en høyere temperatur og kontroller på nytt.

Temperaturen i kjøleren eller fryseren er for høy.

- Kjøledelen er satt til en altfor høy temperatur. >>> Temperaturinnstillingen i kjøledelen påvirker temperaturen i fryserdelen. Endre temperaturen i kjøle- og fryserdelen og vent til de relevante delene når det justerte temperaturnivået.
- Dørene ble åpnet ofte eller ble holdt åpne i lange perioder. >>> Dørene må ikke åpnes for ofte.
- Døren står kanskje på gløtt. >>> Lukk døren fullstendig.
- Produktet kan ha blitt koblet til nylig eller en ny matvare er blitt satt inn i kjøleskapet. >>> Dette er normalt. Produktet vil bruke lenger til på å nå den innstilte temperaturen når den nylig er blitt koblet til eller en ny matvare er plassert i kjøleskapet.
- Store mengder varm mat kan ha blitt satt inn i produktet nylig. >>> Ikke sett varm mat i produktet.

Vibrasjon eller klapping.

- Bakken er ikke i vater eller holdbar. >>> Hvis produktet er risting når det bevegges langsomt, må du justere stativene for å balansere produktet. Kontroller også at bakken er tilstrekkelig holdbar til at den kan bære produktet.
- Gjenstander som plasseres på produktet kan forårsake støy. >>> Fjern alle gjenstander på produktet.

Produktet lager støy som ligner på strømmende væske, spraying osv.

- Driftsprinsippene til produktet involverer strømming av væske og gass.>>> Dette er normalt og ikke en feil.

Produktet lager lyd som ligner blåsende vind.

- Produktet bruker en vifte til kjøleprosessen. Dette er normalt og ikke en feil.

Det er kondens i de innvendige veggene til produktet.

- Varmt eller fuktig vær vil føre til ising eller kondens. Dette er normalt og ikke en feil.
- Dørene ble åpnet ofte eller ble holdt åpne i lange perioder. >>> Ikke åpne dørene for ofte. Lukk døren hvis den er åpen.
- Døren står kanskje på gløtt. >>> Lukk døren fullstendig.

Det er kondens på utsiden av produktet eller mellom dørene.

- Omgivelsens vær kan være fuktig. Dette er ganske vanlig under fuktig vær. >>> Kondensen vil forsvinne når fuktigheten reduseres.

Innsiden lukter ille.

ENG

ES

SV

NO

FI

DA

PT

EL

- Produktet rengjøres ikke regelmessig. >>> Rengjør interiøret regelmessig med svamp, varmt vann og kullsyreholdig vann.
- Enkelte holdere og emballasjer kan forårsake lukt. >>> Bruk holdere og emballasje uten lukt.
- Matvarer hadde blitt plassert i utette beholdere. >>> Hold matvarer i forseglede beholdere. Mikroorganismer kan spre seg ut av utette matvarer og føre til dårlig lukt.
- Fjern utgått eller fordervet matt fra produktet.

Døren lukkes ikke.

- Matpakker blokkerer kanskje døren. >>> Omplasser eventuelle gjenstander som blokkerer dørene.
- Produktet står ikke i fullt oppreist stilling på bakken. >>> Juster stativene for å balansere produktet.
- Bakken er ikke i vater eller holdbar. >>> Kontroller at bakken er tilstrekkelig holdbar til at den kan bære produktet.

Grønnsaksskuffen har kjørt seg fast.

- Matvarer kan være i kontakt med den øvre delen av skuffen. >>> Omplasser matvarene i skuffen.



ADVARSEL: Hvis problemet vedvarer etter at du har fulgt instruksjonene i dette avsnittet, må du kontakte forhandleren eller et autorisert servicesenter. Aldri prøv å reparere et produkt som ikke virker selv.

ANSVARFRASKRIVELSE/ADVARSEL

Noen (enkle) feil kan håndteres tilstrekkelig av sluttbrukeren uten at det oppstår noe sikkerhetsproblem eller usikker bruk, forutsatt at de utføres innenfor grensene og i samsvar med følgende instruksjoner (se delen "Selvreparasjon").

Derfor, med mindre annet er godkjent i avsnittet "Selvreparasjon" nedenfor, skal reparasjoner rettes til registrerte profesjonelle reparatører for å unngå sikkerhetsproblemer. En registrert profesjonell reparatør er en profesjonell reparatør som har fått tilgang til instruksjonene og reservedelslisten for dette produktet av produsenten i henhold til metodene beskrevet i lovgivning i henhold til direktiv 2009/125/EF.

Imidlertid er det kun serviceagenten (dvs. autoriserte profesjonelle reparatører) som du kan nå gjennom telefonnummeret som er oppgitt i brukerhåndboken/garantikortet eller gjennom din autoriserte forhandler, som kan gi service under garantibetingelsene. Vær derfor oppmerksom på at reparasjoner utført av profesjonelle reparatører (som ikke er autorisert av Grundig) vil annullere garantien.

Selvreparasjon

Sluttbrukeren kan utføre selvreparasjon på følgende reservedeler: dørhåndtak, dørhengslar, skuffer, kurver og dørpakninger (en oppdatert liste er også tilgjengelig på support.grundig.com fra 1. mars 2021).

For å sikre produktsikkerhet og for å forhindre risiko for alvorlig personskade, skal videre nevnte selvreparasjon gjøres etter instruksjonene i brukerhåndboken for selvreparasjon eller som er tilgjengelige i support. grundig.com Av hensyntil egen sikkerhet, trekk ut produktet før du prøver selvreparasjon.

Reparasjon og reparasjonsforsøk av sluttbrukere for deler som ikke er oppført i en slik liste og/eller ikke følger instruksjonene i brukerhåndbøkene for selvreparasjon eller som er tilgjengelige i support. grundig.com, kan medføre til sikkerhetsproblemer som ikke kan tilskrives Grundig, og vil annullere garantien for produktet.

Derfor anbefales det sterkt at sluttbrukere avstår fra forsøket på å utføre reparasjoner som faller utenfor nevnte liste over reservedeler, og i slike tilfeller kontakter autoriserte profesjonelle reparatører eller registrerte profesjonelle reparatører. Tvert imot, slike forsøk fra sluttbrukere kan forårsake sikkerhetsproblemer og skade produktet og deretter føre til brann, flom, elektrisk stød og alvorlig personskade.

Følgende er eksempler på reparasjoner som må rettes til autoriserte profesjonelle reparatører eller registrerte profesjonelle reparatører: kompressor, kjølekrets, hovedkort, omformerkort, skjermkort osv.

Produsenten/selgeren kan ikke holdes ansvarlig i noe tilfelle der sluttbrukere ikke overholder ovenstående.

Tilgjengeligheten av reservedeler til kjøleskapet du kjøpte er 10 år.

I løpet av denne perioden vil originale reservedeler være tilgjengelige for å betjene kjøleskapet riktig.

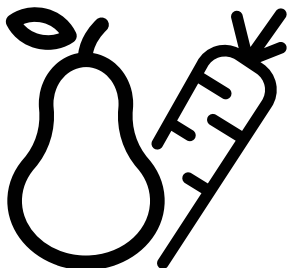
Minste garantiperiode for kjøleskapet du kjøpte er 24 måneder.

Dette produktet er utstyrt med en lyskilde i energiklassen "G".

Lyskilden i dette produktet skal bare erstattes av profesjonelle reparatører.

GRUNDIG

Jääkaappi
Käyttöopas
Køleskab
Brugervejledning



GSBS23340FXPN



Fi/DA
58 6292 0000/AE-Fi-DA 3/4

1- Turvallisuusohjeet **2**

-  1.1 Käyttötarkoitus.....2
-  1.2 - Lasten, herkkien henkilöiden tai lemmikkieläinten turvallisuus2
-  1.3 - Sähköturvallisuus.....3
-  1.4 - Kuljetusturvallisuus .3
-  1.5 - Asennusturvallisuus .4
-  1.6 - Käyttöturvallisuus5
-  1.7- Turvallisuus huollon ja puhdistuksen aikana.....7
-  1.8- HomeWhiz8
-  1.9- Valaistus8

2 Ympäristöohjeet **9**

- 2.1 WEEE-direktiivin noudattaminen ja tuotteen hävittäminen:9
- 2.2 Yhdenmukaisuus RoHS-direktiivin kanssa9
- 2.3 Tietoa pakkauksesta9

3 Jääkaappisi **10**

4 Asennus **11**

- 4.1 Sopiva asennuspaikka..... 11
- 4.2 Muovikiilojen kiinnitys 11
- 4.3 Jalcojen säätö 12
- 4.4 Sähkökytkennät..... 14
- 4.5 Vesiliitäntä 14
- 4.6 Vesiletkun liitäntä tuotteeseen 15
- 4.7 Liittäminen vedensyöttöön.. 15
- 4.8. Tuotteille vesipullolla 16
- 4.9 Vedensuodatin..... 17
 - 4.9.1. Ulkoisen suodattimen kiinnitys seinään (lisävaruste) .. 17
 - 4.9.2. Sisäinen suodatin 18

5 Valmistelu **21**

- 5.1 Tapoja säästää energiaa.....21

5 Valmistelu **22**

- 5.2 Ensimmäinen käyttökerta...22

6 Tuotteen käyttö **23**

- 6.1 Ohjelman keskeyttäminen ..23

6 Tuotteen käyttö **24**

- 6.2 Näyttöpaneeli24
- 6.3 Deodoriser Moduuli27
- 6.4 Kosteusohjattu viileätila (FreSHelf)27
- (Tämä toiminto on lisävaruste) .27
- 6.5 ininen valo/ Vitamin Care Tekniikka28
- 6.6 Vesiautomaatin käyttö28
- 6.7 Vesiautomaatin vesisäiliön täyttö29
- 6.8 Vesisäiliön puhdistus29
- 6.9 Maitotuotteiden (kylmäsäilytys) lokero30
- 6.10 Viileätila30
- 6.11 Ionisoija30
- 6.12 Hajusuodatin30
- 6.13 Jääkone ja jään säilytyslaatikko30
- 6.14 Jään / veden ottaminen31
- 6.15 Tippakaukalo32
- 6.16 Jääkone32
- 6.17 Tuoreiden elintarvikkeiden pakastaminen34
- 6.18 Pakastetun ruoan säilytys-suositukset.....35
- 6.20 Elintarvikkeiden sijoittelu .36
- 6.21 Ovi auki -hälytys36
- 6.19 Syväpakastustiedot36
- 6.22 Valaistus37

7 Huolto ja puhdistus **38**

- 7.1 Ulkoiset ruostumattomat teräspinnat.....38

7 Huolto ja puhdistus **39**

- 7.2 Tuotteiden lasiovilla puhdistaminen39
- 7.3 Hajujen ehkäiseminen39
- 7.4 Muovipintojen suojaus39

8. Vianetsintä **40**

Hyvä asiakas,

Toivomme sinun saavan tuotteestamme parhaan mahdollisen hyödyn. Se on valmistettu nykyaikaisissa tiloissa ja läpikäynyt tarkat laatu- ja turvallisuustarkastukset.

Perehdy käyttöohjeeseen ennen kuin käytät tuotetta ja säilytä se myöhempiä käyttöä varten. Mikäli luovutat laitteen toiselle henkilölle, anna tämä opas tuotteen mukana.

Käyttöohje varmistaa laitteen nopean ja turvallisen käytön.






- Lue käyttöohje ennen laitteen asennusta ja käyttöä.
- Noudata aina annettuja turvallisuusohjeita.
- Pidä käyttöohje helposti saatavilla tulevaa käyttöä varten.
- Lue mahdolliset muut tuotteen mukana tulleet asiakirjat.

Muista, että tämä käyttöohje voi koskea useita tuotemalleja. Käyttöohjeessa on ilmaistu selkeästi eri mallien väliset erot.

Symbolit ja huomautukset


Tässä käyttöohjeessa käytetään seuraavia symboleja:


	Tärkeitä tietoja ja hyödyllisiä vinkkejä.
	Hengenvaara ja omaisuuden vahingoittumisvaara
	Sähköiskun vaara.
	Tuotteen pakkaus on valmistettu kierrätettävistä materiaaleista kansallista ympäristölainsäädäntöä noudattaen.


 INFORMATION	
 	Tuotetietokantaan tallennetut mallitiedot löytyvät seuraavalta verkkosivulta etsimällä tuotetunnuksella (*), joka löytyy energiakilvestä.
SUPPLIER'S NAME 	MODEL IDENTIFIER (*) 
https://eprel.ec.europa.eu/	


1- Turvallisuusohjeet

- Tämä osa sisältää turvallisuusohjeita, jotka auttavat suojaamaan henkilövahingoilta tai omaisuusvahingoilta.
- Yrityksemme ei ole vastuussa näiden ohjeiden laiminlyömisestä johtuvista vaurioista.

 Asennus- ja korjaustyöt saa suorittaa vain valmistaja, valtuutettu huoltoedustaja tai maahantuojan määrittämä valtuutettu henkilö.

 Käytä vain alkuperäisiä osia ja varusteita.

 Älä korjaa tai vaihda mitään osia tuotteeseen jolle sitä erikseen ole mainittu käyttöohjeessa.

 Älä suorita mitään teknisiä muutoksia tuotteeseen.

1.1 Käyttötarkoitus

- Tämä tuote ei sovellu kaupalliseen käyttöön eikä sitä pidä käyttää muuhun kuin sille suunniteltuun tarkoitukseen.

Tuote on tarkoitettu käyttöön asunnoissa ja sisätiloissa.

Esimerkiksi:

- henkilöstökeittiöissä
 - kaupoissa, toimistoissa ja muissa työympäristöissä,
 - maatiloilla,
 - asiakkaiden käyttämissä tiloissa hotelleissa, motelleissa ja muissa tämän tyyppisissä tiloissa,
 - bed&breakfast tyyppin hotellit, asuntolat,
 - catering- ja vastaavissa ei-kaupallisissa käytöissä.
- Tuotetta ei tule käyttää ulkona katos sen yläpuolella tai ilman sitä, kuten veneissä, parvekkeilla tai terasseilla. Älä altista tuotetta sateelle, lumelle, auringonpaisteelle tai tuulelle.
- Tulipalovaara!

1.2 - Lasten, herkkien henkilöiden tai lemmikkieläinten turvallisuus

- Tätä laitetta ei saa käyttää alle 8 vuotiaat lapset ja henkilöt joiden fyysiset, aistinvaraiset tai henkiset kyvyt ovat alentuneet, tai joilla ei ole riittävää kokemusta tai tietoa, paitsi jos heidän turvallisuudestaan vastaava henkilö valvoo tai neuvoo heitä laitteen käytössä.
- 3 - 8 vuotiaat lapset voivat asettaa tai poistaa pakastettuja elintarvikkeita.
- Sähkölaitteet ovat vaarallisia lapsille ja lemmikkieläimille. Lapset ja

lemmikieläimet eivät saa leikkiä laitteella, kiivetä sen päällä tai mennä sen sisään.

- Lapset ilman valvontaa eivät saa suorittaa puhdistus- tai kunnossapitotoimintoja.
- Säilytä pakkausmateriaalit lasten ulottumattomissa. Henkilövahingon ja tukehtumisvaara!
- Ennen vanhan tai käyttökelvottoman tuotteen hävittämistä:

1. Irrota tuote virransyötöstä vetämällä pistokkeesta.

2. Katkaise virtajohto ja irrota se laitteesta pistokkeen kanssa.

3. Älä poista hyllyjä ja laatikoita, jolloin lapsille on vaikeampaa päästä laitteen sisään.

4. Irrota ovet.

5. Säilytä laitetta niin, ettei se pääse kaatumaan.

6. Älä anna lasten leikkiä vanhalla tuotteella.

- Älä koskaan hävitä tuotetta heittämällä sitä avotuleen. Räjähdyksivaara!
- Jos tuotteen ovessa on lukko, tulee sen avain pitää lasten ulottumattomissa.

1.3 - Sähköturvallisuus

- Tuote on kytkettävä irti virransyötöstä asennus-, huolto-, puhdistus-, korjaus- ja kuljetustoimien aikana.

- Jos virtajohto on vahingoittunut, vaihdon saa suorittaa vain valmistaja, valtuutettu huoltoedustaja tai maahantuoja mahdollisten vaaratilanteiden välttämiseksi.

- Älä litistä virtajohtoa tuotteen alle tai taakse. Älä aseta raskaita esineitä virtajohdon päälle. Virtajohto ei saa olla taivuksissa, puristuneena tai kosketuksessa lämpölähteisiin.

- Älä käytä jatkojohtoa, haarapistorasiaa tai sovitinta tuotteen käyttämiseksi.

- Kannettavat haarapistorasiat tai virtalähteet voivat ylikuumentua ja aiheuttaa tulipalon. Älä käytä tästä syystä haarapistorasioita tuotteen takana tai lähistöllä.

- Pistokkeen on oltava helposti käytettävissä. Jos tämä ei ole mahdollista, on sähkömääräyksiä noudattava laite, joka kytkee kaikki liittimet irti virransyötöstä (varoke, kytkin, pääkytkin jne.) johon tuote on asennettu, asennettava virransyöttöön.

- Älä koskettele virtapistoketta märillä käsillä

- Irrota pistoke pistorasiasta vetämällä pistokkeesta, ei johdosta.

1.4 - Kuljetusturvallisuus

- Tuote on raskas, älä liikuta sitä yksin.

- Älä pidä kiinni tuotteen ovesta, sen liikuttamisen aikana.
- Varmista, että jäähdytysjärjestelmä tai putkisto ei vaurioitu kuljetuksen aikana. Jos putkisto vaurioituu, älä käytä tuotetta ja ota yhteys valtuutettuun huoltoedustajaan.



1.5 - Asennusturvallisuus

- Pyydä valtuutettua huoltoedustajaa asentamaan tuote. Tuotteen asettamiseksi käyttövalmiiksi, katso käyttöohjeessa olevat tiedot ja varmista, että virran- ja vedensyöttö on saatavissa. Jos näin ei ole, ota yhteyttä valtuutettuun sähköasentajaan ja putkimieheen tarvittavien järjestelyjen suorittamiseksi. Muutoin tämä voi johtaa sähköiskuun, tulipaloon, tuotteen käyttöongelmiin tai henkilövahinkoon!
 - Tarkasta tuote vaurioiden varalta ennen sen asennusta. Jos tuote on vaurioitunut, älä asenna sitä.
 - Aseta tuote puhtaalle, tasaiselle ja kovalle alustalle ja tasapainota se säätöjaloilla. Muuton tuote voi kaatua ja aiheuttaa henkilövahingon.
 - Asennuspaikan on oltava kuiva ja hyvin tuuletettu. Älä aseta mattoja tai vastaavia peitteitä tuotteen alle. Riittämätön tuuletus aiheuttaa tulipalovaaran!
 - Tuuletusaukkoja ei saa peittää. Muutoin virrankulutus kasvaa ja tuote voi vaurioitua.
 - Älä liitä tuotetta virransyöttöjärjestelmiin, kuten aurinkovoiman syöttöjärjestelmiin. Äkilliset jännitevaihtelut voivat johtaa tuotevaurioihin.
 - Mitä enemmän jääkaappi sisältää kylmäainetta, sen suurempi on asennuspaikan oltava. Jos asennuspaikka on liian pieni, syttyvä kylmäaineen ja ilman sekoitus voi muodostua, jos jäähdytysjärjestelmässä esiintyy kylmäainevuotoja. Vaadittu tila jokaiselle 8 kylmäainegrammalle on 1 m³. Kylmäainemäärä tuotteessa on esitetty tyyppikilvessä.
 - Tuotetta ei saa asentaa suoraan auringonpaisteeseen ja se on pidettävä etäällä lämpölähteistä, kuten hellat, lämmittimet jne.
- Jos tuote on asennettava lämpölähteen läheisyyteen, on sopivaa eristyslevyä käytettävä niiden välissä ja seuraavat minimietäisyydet pidettävä lämpölähteeseen:
- Vähintään 30 cm etäisyys lämpölähteisiin, kuten hellat, uunit, lämmittimet tai liedet,
 - Vähintään 5 cm etäisyys sähköheloihin.
- Tuotteella on tyyppin I suojausluokka. Liitä tuote maadoitettuun pistorasiaan, jonka jännite,

taajuus ja virta vastaavat tuotteen tyyppikilvessä määritettyjä. Pistokkeen on oltava varustettu 10 A – 16 A katkaisimella. Yrityksemme ei ole vastuussa vaurioista, jotka johtuvat tuotteen käytöstä ilman, että maadoitus- ja sähköliitännät ovat tehty paikallisten tai kansallisten määräysten mukaisesti.

- Tuotetta ei saa liittää virransyöttöön asennuksen aikana. Muutoin tämä voi johtaa sähköiskuun tai henkilövahinkoon!
- Älä liitä tuotetta löysään, vialliseen, likaiseen tai rasvaiseen pistorasiaan tai mahdollisesti vesikosketukseen joutuvaan pistorasiaan.
- Reititä tuotteen johto ja letkut (jos olemassa) niin, että niihin ei voida kompastua.
- Virtaosien tai virtajohdon altistaminen kosteudelle voi johtaa oikosulkuun. Älä siksi asenna tuotetta autotalliin tai pyykkitupaan, jossa kosteustaso on korkea ja vettä voi roiskua. Jos jääkaappi kastuu vedestä, irrota se virransyötöstä ja ota yhteys valtuutettuun huoltoedustajaan.
- Älä koskaan liitä jääkaappia virransäästölaitteisiin. Nämä järjestelmät voivat vahingoittaa laitetta.

1.6 - Käyttöturvallisuus

- Älä käytä kemikaaleja tai liuottimia tuotteen puhdistamiseen. Räjähdyksivaara!
- Jos toimintahäiriöitä esiintyy, irrota tuote virtalähteestä ja älä käytä sitä ennen kuin valtuutettu huoltoedustaja on korjannut sen. Sähköiskun vaara!
- Älä sijoita avotulia (sytytetty kynttilät, savukkeet jne.) tuotteen päälle tai läheisyyteen.
- Älä kiipeä tuotteen päälle. Putoamis- ja henkilövahingonvaara!
- Älä vaurioita jäähdytysjärjestelmän putkia terävillä tai lävistävillä työkaluilla. Puhkaistusta kaasuputkesta, putkijatkeista tai pinnoitteesta suihkuava kylmäaine voi aiheuttaa ihon ärsytystä tai silmävammoja.
- Älä sijoita tai käytä sähkölaitteita laitteen jäähdytys-/ pakastelokeroissa, ellei valmistaja ole hyväksynyt tätä.
- Varo, että kädet tai muut kehonosat eivät tartu jääkaapin sisäisiin liikkuviin osiin. Varo, että sormet eivät jää puristuksiin oven ja jääkaapin väliin. Ole varovainen, kun avaat tai suljet oven, etenkin jos lapsia on lähettyvillä.

- Älä koskaan syö jäätelöä, jääpaloja tai pakasteruokia välittömästi, kun ne on poistettu jääkaapista. Paleltumisvammanvaara!
- Älä koske pakastimen sisäseiniin, metalliosiin tai pakastettuihin ruokiin märillä käsillä. Paleltumisvammanvaara!
- Älä sijoita juomatölkkejä tai nestettä sisältäviä tölkkejä ja pulloja, jotka voivat jäätyä, pakastinlokeroon. Tökit ja pullot voivat haljeta. Henkilövahingon ja materiaalivaurion vaara!
- Älä käytä tai sijoita lämpötilaherkkiä materiaaleja, kuten syttyvät suihkeet, esineet, kuivajää tai muita kemikaaleja jääkaapin läheisyyteen. Tulipalo- ja räjähdysvaara!
- Älä aseta räjähdysalttiita aineita kuten aerosolipakkauksia joissa on herkästi syttyviä ponnekaasuja laitteen sisään.
- Älä aseta vedellä täytettyjä säiliöitä tuotteen päälle. Sähköosiin roiskuva vesi voi aiheuttaa sähköiskun tai tulipalon.
- Tätä tuotetta ei ole tarkoitettu lääkkeiden, veriplasman, laboratorionäytteiden, lääketuotedirektiivin mukaisten tai vastaavien aineiden säilytykseen.
- Jos tuotetta käytetään käyttötarkoituksen vastaisesti, voi siinä olevat tuotteet pilaantua.
- Jos jääkaappi on varustettu sinisellä valolla, älä katso sen sisään optisilla laitteilla. Älä katso UV LED-valoon pitkiä aikoja. Ultravioletti säteily voi johtaa silmävammiin.
- Älä ylitäytä laitetta. Henkilövahinko tai vaurio voi tapahtua, jos jääkaapin sisältö putoaa, kun ovi avataan. Vastaavia ongelmia voi esiintyä, jos esineitä asetetaan tuotteen päälle.
- Varmista, että olet poistanut lattialle mahdollisesti pudonneen tai roiskuneen jään ja veden henkilövahinkojen välttämiseksi.
- Muuta hyllyjen/pullotelaineiden paikkaa ovesa, vain kun ne ovat tyhjät. Henkilövahingonvaara!
- Älä aseta esineitä, jotka voivat pudota/kaatua laitteen päälle. Nämä esineet voivat pudota, kun ovi avataan tai suljetaan ja johtaa henkilövahinkoihin ja/tai materiaalivaurioihin.
- Älä iske lasipintoja tai altista niitä kovalle paineelle. Rikkoutunut lasi voi aiheuttaa henkilö- ja/tai materiaalivahinkoja.
- Tuotteen jäähdytysjärjestelmä sisältää R600a kylmäainetta: Kylmäainemäärä tuotteessa on esitetty tyyppikilvessä. Kylmäaine on helposti syttyvää. Varmista siksi, että jäähdytysjärjestelmä tai putkisto

ei vaurioitu tuotteen käytön aikana.

Jos putkisto on vaurioitunut:

- älä koske tuotteeseen tai virtajohtoon,
 - pidä tuote etäällä tulilähteistä, jotka voivat johtaa tuotteen syttymiseen.
 - tuuleta tuotteen asennusalue.
- Älä käytä tuuletinta.
 - ota yhteys valtuutettuun huoltoedustajaan.

- Jos tuote on vaurioitunut ja havaitset kylmäainevuodon, pysy etäällä kylmäaineesta. Jos kylmäainetta joutuu iholle, seurauksena voi olla paleltumisvamma.

Tuotteille vedenannostelijalla tai jääpalakoneella

- Käytä ainoastaan juomavettä. Älä kaada vesisäiliöön hedelmämehua, maitoa, poreilevia juomia, alkoholijuomia tai muita nesteitä, jotka eivät sovi käytettäväksi vedenannostelijassa.
- Terveys- ja turvallisuusvaara!
- Älä anna lasten leikkiä vedenannostelijalla tai jääpalakoneella (Icematic) henkilövahinkojen välttämiseksi.
- Älä aseta sormia tai muita esineitä vedenannostelijan reikään, vesikuiluun tai jääpalakoneen säiliön sisään. Henkilövahingon ja materiaalivaurion vaara!

1.7- Turvallisuus huollon ja puhdistuksen aikana

- Älä vedä oven kahvasta, jos haluat siirtää tuotetta puhdistuksen yhteydessä. Kahva voi katketa ja aiheuttaa henkilövahingon, jos sitä vedetään voimakkaasti.
- Älä suihkuta tai kaada vettä tuotteen päälle tai sisään puhdistuksen aikana. Tulipalon ja sähköiskun vaaran!

- Älä käytä teräviä tai hankaavia työkaluja tuotteen puhdistukseen. Älä käytä kotitalouden puhdistustuotteita, puhdistusaineita, kaasuja, bensiiniä, tinneriä, alkoholia jne.
- Käytä vain tuotteen sisäpuolen puhdistukseen elintarvikkeille turvallisia kemikaaleja ja hoitotuotteita.
- Älä koskaan käytä höyryä tai höyryesureita tuotteen puhdistamiseen tai sulattamiseen. Höyry koskettaa jääkaapin virtaosiin, aiheuttaa oikosulun tai sähköiskun!
- Varmista, että vettä ei pääse tuotteen sähköpiireihin tai valo-osiin.
- Puhdista tuote puhtaalla, kuivalla pyyhkeellä ja poista pöly tai vieraat materiaalit pistokkeen piikeistä. Älä puhdista pistoketta märällä tai kostealla pyyhkeellä. Tulipalon ja sähköiskun vaaran!

1.8- HomeWhiz

- Kun käytät tuotetta HomeWhiz-sovellusta, on turvallisuusvaroitukset huomioitava, vaikka olet kaukana tuotteesta. Noudata myös sovelluksessa esitettyjä varoituksia.

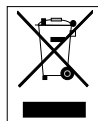
1.9- Valaistus

- Ota yhteys valtuutettuun huoltoon, kun tuotteen LED-valo/polttimo on vaihdettava.

2 Ympäristöohjeet

2.1 WEEE-direktiivin noudattaminen ja tuotteen hävittäminen:

Tämä tuote täyttää EU:n WEEE-direktiivissä (2012/19/EU) asetetut vaatimukset. Tässä tuotteessa on sen sähkö- ja elektroniikkalaiteromuluokan (WEEE) ilmaiseva symboli.



Tämä symboli tarkoittaa, että sitä ei saa hävittää muun kotitalousjätteen mukana käyttökänsä lopussa. Tuote on luovutettava sopivaan sähkö- ja elektroniikkalaitteiden kierrätyksestä huolehtivaan keräyspisteeseen. Tietoja näiden keräyspisteiden sijainnista saat paikallisilta viranomaisilta tai liikkeestä, josta ostit laitteen. Jokainen kotitalous on tärkeässä roolissa vanhojen laitteiden kierrättämisessä. Käytetyn laitteen sopiva hävitystapa ehkäisee mahdollisia negatiivisia ympäristö- ja terveyshaittoja.

2.2 Yhdenmukaisuus RoHS-direktiivin kanssa

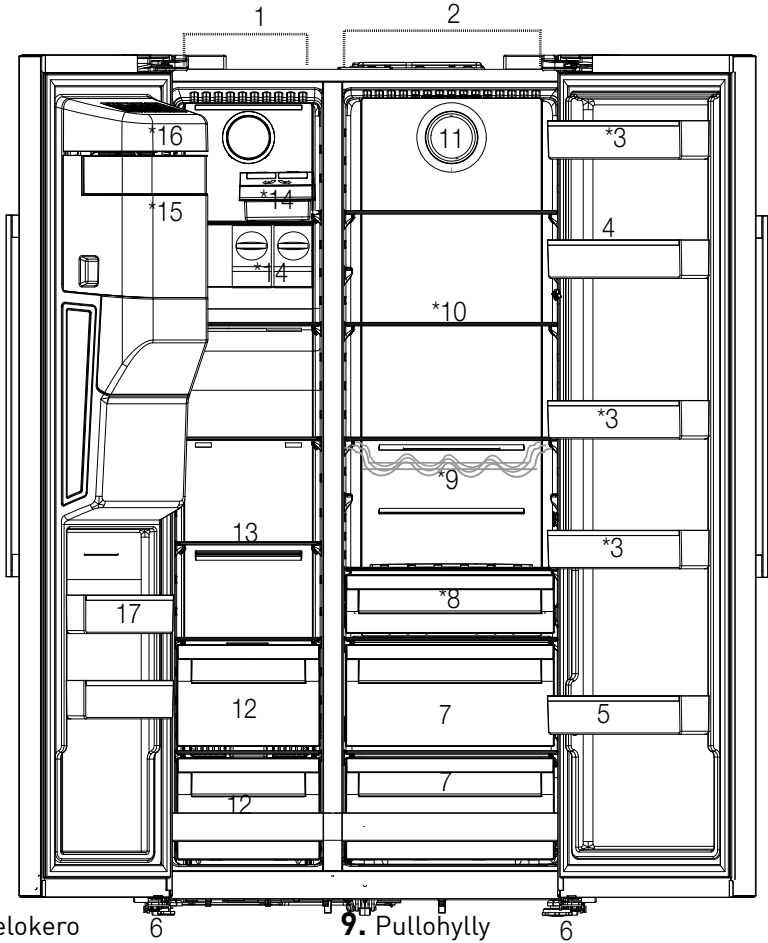
Tuote jonka ostit täyttää EU:n vaarallisten aineiden käytön rajoittamista koskevan direktiivin (2011/65/EU). Se ei sisällä haitallisia tai kiellettyjä materiaaleja jotka on määritelty direktiivissä.

2.3 Tietoa pakkauksesta



Tuotteen pakkausmateriaalit on valmistettu kierrätettävistä materiaaleista, kansallisten ympäristömääräyksiemme mukaan. Älä hävitä pakkausmateriaaleja yhdessä kotitalous- tai muun jätteen mukana. Vie pakkausmateriaalit paikallisten viranomaisten osoittamaan keräyspisteeseen.

3 Jääkaappisi



- | | | | |
|---|---|---|---|
| 1. Pakastelokero | 6 | 9. Pullohylly | 6 |
| 2. Jääkaappitila | | 10. Lasihyllyt | |
| 3. Jääkaappitilan ovihyllyt | | 11. Puhallin | |
| 4. Kanamunapidike | | 12. Pakastettujen ruokien säilytystilat | |
| 5. Pullohylly | | 13. Pakastelokeron lasihylly | |
| 6. Säädetävät jalat | | 14. Icematic | |
| 7. Viileätila | | 15. Jääpalalokero | |
| 8. Maitotuotteiden (kylmäsäilytys) lokero | | 16. Jääpalakoneen koristekansi | |
| | | 17. Pakastintilan ovihyllyt | |

Ei käytettävissä kaikissa malleissa



*Vaihtoehtoinen: Tämän käyttöohjeen kuvat ovat viitteellisiä, eivätkä välttämättä vastaa täysin tuotettasi. Mikäli tuotteesi ei sisällä joitakin osia, tiedot koskevat muita malleja.

4 Asennus

4.1 Sopiva asennuspaikka



Lue "Turvallisuusohjeet" osa ensin!

Tämä tuote vaatii riittävän ilmankierron toimiakseen tehokkaasti. Jos tuote sijoitetaan alkoviin, muista jättää vähintään 5 cm:n etäisyys tuotteen ja katon, taka- ja sivuseinien väliin.

Jos tuote sijoitetaan alkoviin, muista jättää vähintään 5 cm:n etäisyys tuotteen ja katon, taka- ja sivuseinien väliin. Tarkasta, onko takaseinän etäisyyssoajakomponentti paikallaan (jos toimitettu tuotteen mukana). Jos komponentti ei ole saatavissa tai on kadonnut tai pudonnut, sijoita tuote niin, että vähintään 5 cm:n etäisyys on tuotteen takapinnan ja huoneen seinien välillä. Etäisyys takana on tärkeä tuotteen tehokkaan toiminnan varmistamiseksi.



VAROITUS: Älä käytä jatkojohtoja tai haarapistorasioita virtaliitännässä.



VAROITUS: Valmistaja ei hyväksy vastuuta valtuuttamattoman henkilön suorittamista töistä johtuvista vaurioista.



VAROITUS: Tuotteen virtajohto tulee irrottaa virtalähteestä asennuksen ajaksi. Jos näin ei toimita, seurauksena saattaa olla vakava henkilövahinko tai kuolema!



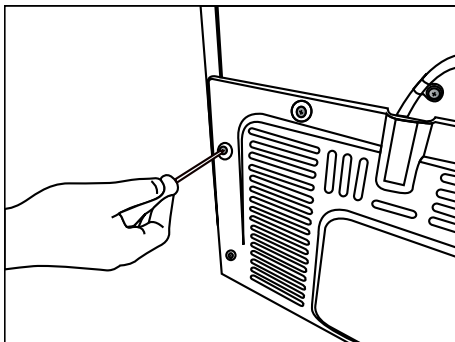
VAROITUS: Jos oviaukko ei ole riittävän leveä jääkaapille, irrota ovi ja käännä tuote sivuttain, jos tämä ei onnistu, ota yhteys valtuutettuun huoltoon.

- Sijoita tuote tasaiselle alustalle tärinöiden välttämiseksi.
- Sijoita tuote vähintään 30 cm etäisyydelle lämmittimistä, uuneista ja vastaavista lämpölähteistä ja vähintään 5 cm etäisyydelle sähköliesistä.
- Älä altista tuotetta suoralle auringonpaisteelle tai asenna sitä kosteisiin tiloihin.
- Tämä tuote vaatii riittävän ilmankierron toimiakseen tehokkaasti. Jos tuote sijoitetaan alkoviin, muista jättää vähintään 5 cm:n etäisyys tuotteen ja katon ja seinien väliin.

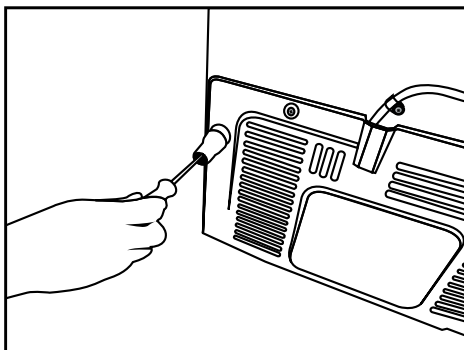
4.2 Muovikiilojen kiinnitys

Käytä tuotteen mukana toimitettuja muovikiiloja riittävän ilmankierron varmistamiseen tuotteen ja seinän välillä.

- Kiinnitä kiilat irrottamalla ruuvit tuotteesta ja käyttämällä kiilojen mukana toimitettuja ruuveja.

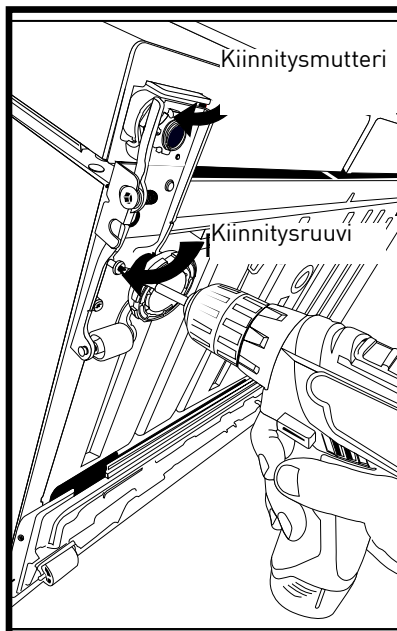
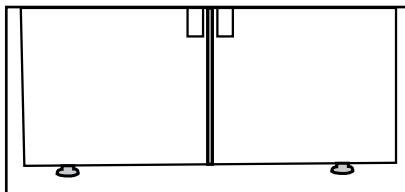


- Kiinnitä 2 muovikiilaa tuuletuskanteen kuvassa esitetyllä tavalla.



4.3 Jalkojen säätö

Jos tuote ei ole tasapainossa, säädä etujalkoja kiertämällä niitä oikealle tai vasemmalle.

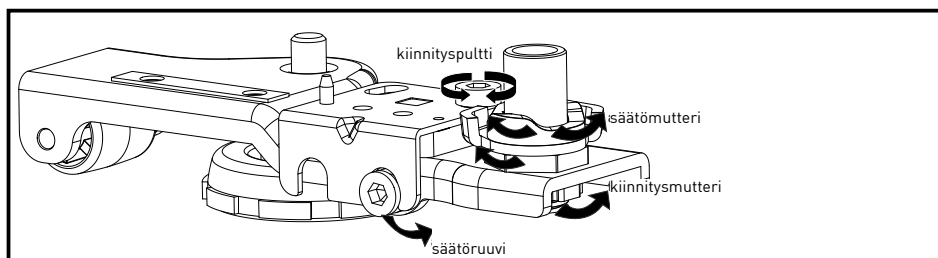


Ovien säätämiseksi pystysuunnassa,

- löysää lukkomutteria pohjassa
- kierrä säätömutteria (myötä-/ vastapäivään) oven asennon mukaan
- kiristä lukkomutteri, kun säätö on valmis

Ovien säätämiseksi vaakasuunnassa,

- löysää lukkomutteria pohjassa
- löysää lukkomutteria yläosassa.
- kierrä säätömutteria (myötä-/ vastapäivään) laidassa oven asennon mukaan
- kiristä lukkomutteri yläosassa, kun säätö on valmis
- kiristä lukkomutteri pohjassa



4.4 Sähkökytkennät



VAROITUS: Älä käytä jatkojohtoja tai haarapistorasioita virtaliitännässä.



VAROITUS: Vaurioitunut virtajohto tulee vaihtaa valtuutetun sähköasentajan toimesta.

- Yrityksemme ei ole vastuussa vaurioista, jotka johtuvat käytöstä ilman maadoitusta ja kansallisten määräysten vastaisesta sähköliitännästä.
- Virtapistokkeen on oltava helposti ulottuvilla asennuksen jälkeen.



Kuuman pinnan varoitus! Tuotteen sivuseinät on varustettu jäähdytysputkilla jäähdytysjärjestelmän parantamiseksi. Neste korkealla paineella voi virrata näiden pintojen läpi ja johtaa sivuseinien kuumentumiseen. Tämä on normaalia, eikä vaadi huoltoa. Ole varovainen kosketuksessa näihin kohtiin...

4.5 Vesiliitäntä

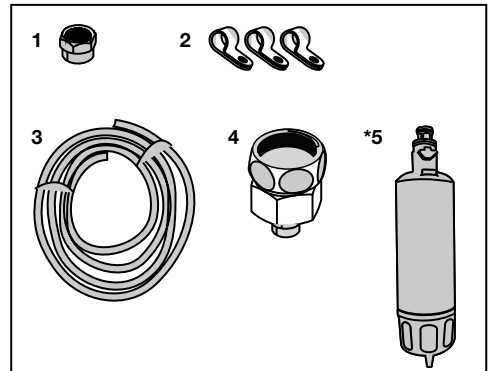
(Lisävaruste)



VAROITUS: Kytke tuote ja vesipumppu (jos käytössä) irti ennen liitäntää.

Valtuutetun huollon on asennettava tuotteen vedensyöttö, suodatin ja vesipullo. Tuote voidaan liittää vesipulloon tai suoraan vedensyöttöön, mallista riippuen. Liitännän muodostamiseksi, vesiletku on ensin liitettävä tuotteeseen.

Tarkasta että seuraavat osat on toimitettu tuotemallin mukana:



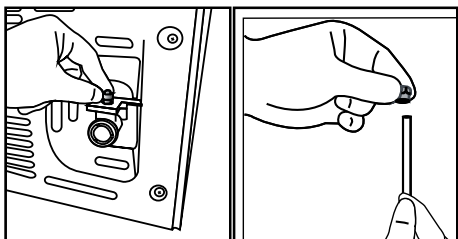
1. Liitin (1 kpl.): Käytetään vesiletkun kiinnittämiseen tuotteen takaosaan.
2. Letkuliitin (3 kpl.): Käytetään vesiletkun kiinnittämiseen seinään.
3. Vesiletku (1 kpl., 5 metriä, halkaisija 1/4 tuumaa): Käytetään vesiliitäntään.
4. Hanasovitin (1 kpl.): Koostuu huokoisesta suodattimesta ja sitä käytetään kylmävesiliitäntään.

1. Vedensuodatin (1 kpl. *Lisävaruste): Käytetään vedensyötön liitintään tuotteeseen. Vedensuodatinta ei tarvita, jos vesipullon liitäntä on käytettävissä.

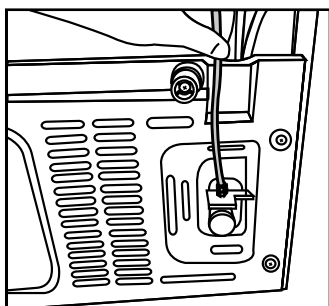
4.6 Vesiletkun liitäntä tuotteeseen

Liitä vesiletku tuotteen seuraavalla tavalla.

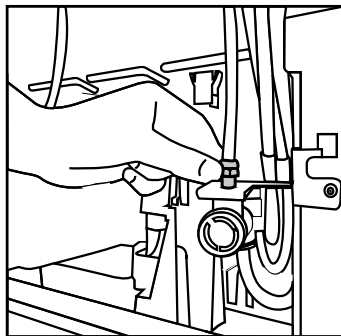
1. Irrota liitin letkun suutinsovitinssä tuotteen takaosassa ja kuljeta letku liittimen kautta.



2. Työnnä vesiletku tiukkaan ja liitä letkun suutinsovitin.



3. Kiristä liitin manuaalisesti letkun suutinsovitin kiinnittämiseksi. Voit myös kiristää liittimen putkiavaimella tai pihdeillä.



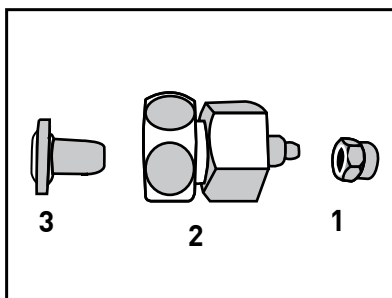
4. Liitä letkun toinen pää vedensyöttöön (Katso osa 4.7) tai jos vesipulloa käytetään, vesipumppuun (Katso osa 4.8).

4.7 Liittäminen vedensyöttöön

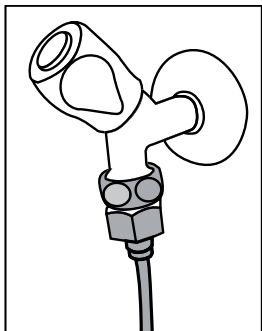
(Lisävaruste)

Tuotteen liittämässä vedensyöttöön on käytettävä 1/2" vakioventtiililiitintä, joka asennetaan asunnon kylmävesiliitäntään. Jos liitin ei ole saatavissa tai olet epävarma, ota yhteys valtuutetun putkiasentajaan.

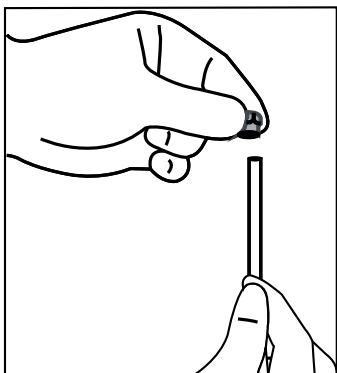
1. Irrota liitin (1) hanan sovittimesta (2).



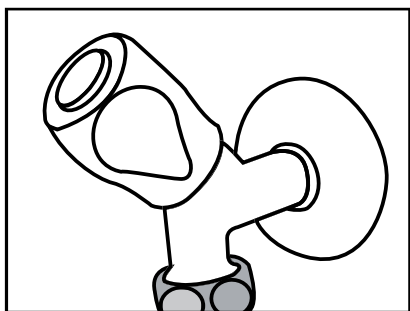
1. Liitä hanan sovitin vedensyötön venttiiliin.



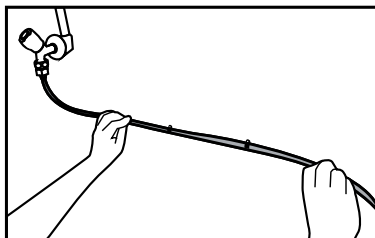
2. Kiinnitä liitin vesiletkun ympärille.



3. Kiinnitä liitin hanan sovittimeen ja kiristä se käsin / työkalulla.



4. Vaurioiden, letkun liikkumisen tai irtoamisen estämiseksi, käytä mukana toimitettuja kiinnikkeitä letkun kiinnittämiseen.



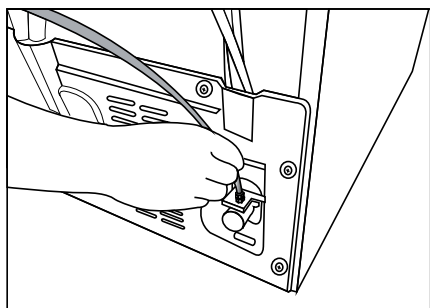
VAROITUS: Tarkasta hanan aukaisun jälkeen, että vettä ei vuoda letkun kummastakaan päästä. Jos vuotoja esiintyy, sulje venttiili ja kiristä liitännät putkiavaimella tai pihdeillä.

4.8. Tuotteille vesipullolla

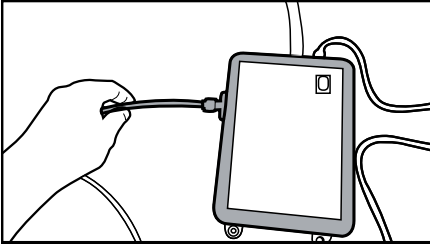
(Lisävaruste)

Vesipullon käyttämiseksi tuotteen vesiliitännänä, on valtuutetun huollon suosittelemaa vesipumppua käytettävä.

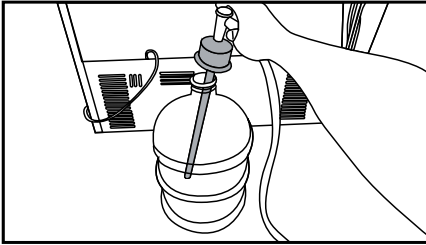
1. Liitä pumpun mukana toimitetun vesiletkun pää tuotteeseen (katso 4.6) ja noudata alla olevia ohjeita.



1. Liitä vesiletkun toinen pää vesipumppuun työntämällä letkun pumpun tuloletkuliittimeen.



2. Aseta ja kiinnitä pumppu vesipullon sisään.



3. Kun liitäntä on valmis, kytke vesipumppu verkkovirtaan ja käynnistä se.



Odota 2 - 3 minuuttia käynnistyksen jälkeen halutun pumpun tehon saavuttamiseksi.



Katso veden liitäntäohjeet pumpun käyttöohjeessa.



Vedensuodatinta ei tarvita, kun vesipulloa käytetään.

4.9 Vedensuodatin

(Lisävaruste)

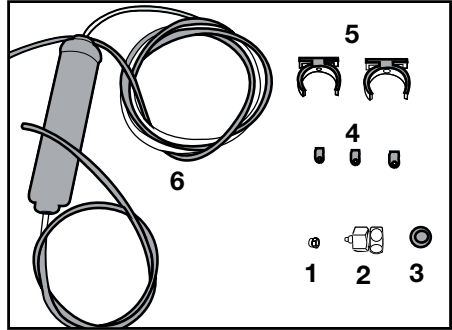
Tuotteessa voi olla sisäinen tai ulkoinen suodatin, mallista riippuen. Asenna suodatin seuraavien ohjeiden mukaan.

4.9.1. Ulkoisen suodattimen kiinnitys seinään (lisävaruste)



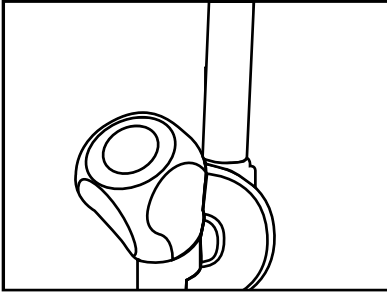
VAROITUS: Älä kiinnitä suodatinta tuotteeseen.

Tarkasta että seuraavat osat on toimitettu tuotemallin mukana:

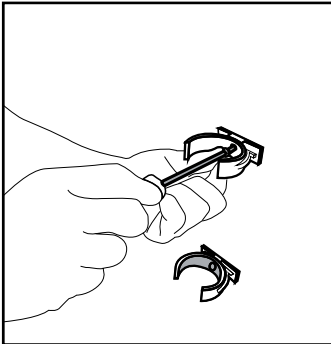


1. Liitin (1 kpl.): Käytetään vesiletkun kiinnittämiseen tuotteen takaosaan.
 2. Hanasovitin (1 kpl.): Käytetään kylmävesiliitäntään.
 3. Huokoinen suodatin (1 kpl.)
 4. Letkuliitin (3 kpl.): Käytetään vesiletkun kiinnittämiseen seinään.
 5. Suodattimen kiinnikkeet (2 kpl.): Käytetään suodattimen kiinnittämiseen seinään.
 6. Vedensuodatin (1 kpl.): Käytetään tuotteen liittämiseen vedensyöttöön. Vedensuodatinta ei tarvita, kun vesipullo on liitetty.
1. Liitä hanan sovitin vedensyötön venttiiliin.
 2. Määritä ulkoisen suodattimen kiinnityspaikka. Kiinnitä suodattimen kiinnikkeet (5) seinään.

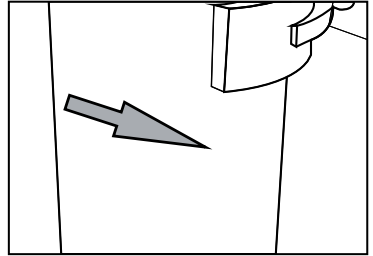
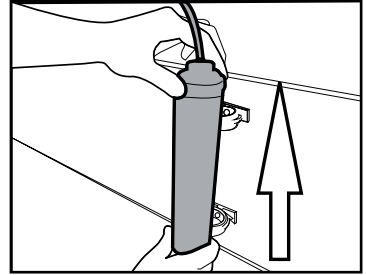
1. Kiinnitä suodatin pystyasentoon suodattimen kiinnikkeisiin, kuten tarrassa on esitetty. (6)



2. Liitä vesiletku suodattimen yläosasta tuotteen vedenliitäntään sovittimeen (katso 4.6.).

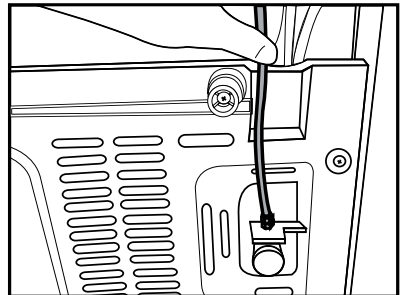


Kun liitântä on valmis, tulee sen olla kuvassa esitetyn mukainen.

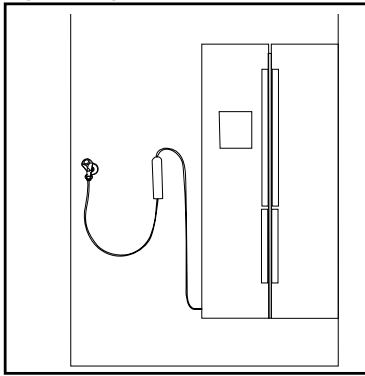


4.9.2. Sisäinen suodatin

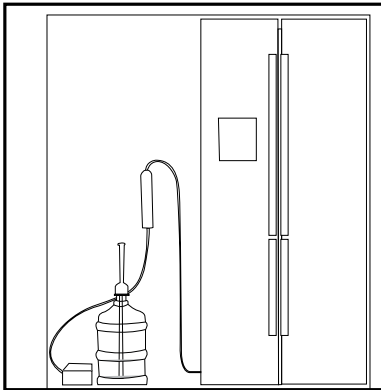
Tuotteen mukana toimitettua sisäistä ei ole asennettu tehtaalla. Asenna se alla olevien ohjeiden mukaan.



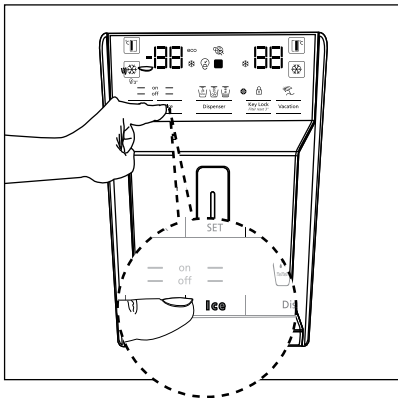
Vedensyöttölinja:



Syöttölinja vesipullosta:

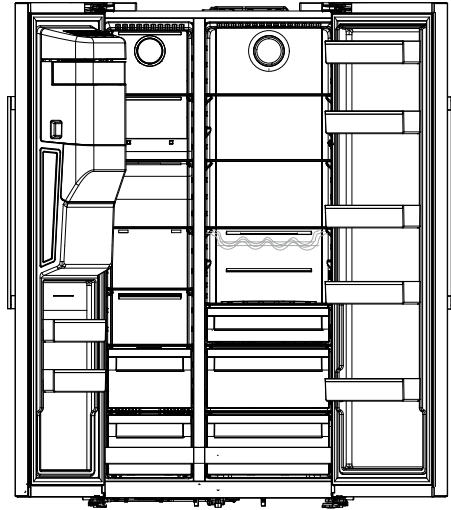


1. “**Jää pois**” merkkivalon on oltava päällä, kun suodatin asennetaan. Kytke **ON-OFF** merkkivalo päälle Jäypainikkeella näytössä.



2. Poista vihanneslokero päästäksesi käsiksi vedensuodattimeen.

Irrota vedensuodattimen ohituskansi vetämällä se irti.



ENG

ES

SV

NO

Fi

DA

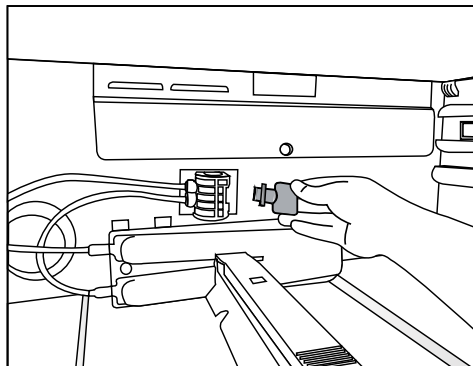
PT

EL



Muutama tippa vettä voi valua ulos, kun kansi irrotetaan. Tämä on normaalia.

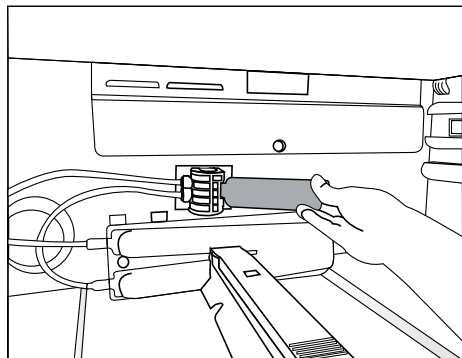
1. Aseta vedensuodattimen kansi mekanismiin ja paina kansi paikalleen.



2. Paina Jääpainiketta uudelleen näytössä "**Jää pois**" tilan perumiseksi.



Vedensuodatin poistaa tietyt hiukkaset vedestä. Se ei poista veden mikro-organismeja.



5 Valmistelu



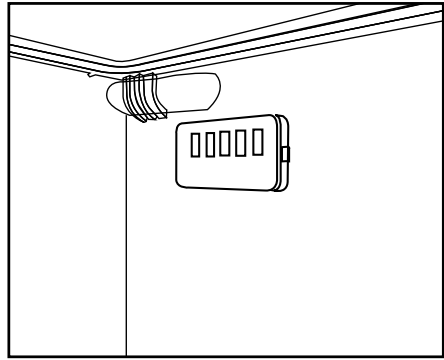
Lue "Turvallisuusohjeet" osa ensin!

5.1 Tapoja säästää energiaa



Tuote voi vaurioitua, jos se liitetään elektroniin energiansäästöjärjestelmiin.

- Älä pidä jääkaapin ovea auki pitkiä aikoja.
 - Älä aseta kuumia ruokia ja tai juomia jääkaappiin.
 - Älä ylitäytä jääkaappia, sisäisen ilmavirtauksen estäminen rajoittaa jäädytyskapasiteettia.
 - Tuotteen ominaisuuksista riippuen: pakastettujen ruokien sulattaminen jääkaapissa säästää energiaa ja säilyttää ruoan laadun.
 - Ruokaa tulee säilyttää laatikoissa jääkaapissa energian säästämiseksi ja ruoan suojaamiseksi.
 - Varmista, että ruoka ei kosketa alla kuvattuun jääkaapin lämpötila-anturiin.
- Koska kuuma ja kostea ilma ei pääse suoraan tuotteen sisään, kun sen ovet on suljettu, optimoi tuote itsestään ruoan säilytysolosuhteet. Tässä energiansäästötilassa, toiminnot ja komponentit, kuten kompressori, puhallin, lämmitin, sulatus, valaistus, näyttö jne. toimivat tarpeiden mukaan ja kuluttavat erittäin vähän energiaa, säilyttämällä samalla elintarvikkeiden tuoreuden.



ENG

ES

SV

NO

Fi

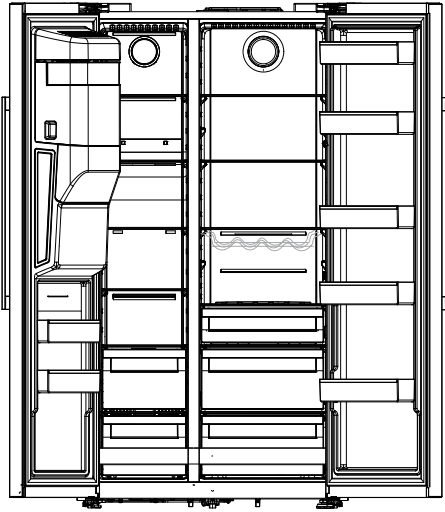
DA

PT

EL

5 Valmistelu

- Jos usea vaihtoehto on olemassa, on lasihyllyt sijoitettava niin, että ilmanpoistoaukot takaseinässä eivät ole tukossa. Ne tulee jättää mieluiten lasihyllyn alle. Tämä yhdistelmä auttaa parantamaan ilmanjakelua ja energiatehokkuutta.



5.2 Ensimmäinen käyttökerta

Ennen jääkaapin käyttämistä, varmista että kaikki esivalmistelut on suoritettu kohdissa "Turvallisuutta ja ympäristöä koskevat ohjeet" ja "Asennus" kuvatulla tavalla.

- Anna tuotteen olla päällä 12 tuntia tyhjänä, älä avaa sen ovea, ellei tämä ole välttämätöntä.



Kompressorin käynnistyksestä kuuluu ääni. On täysin normaalia, että ääni kuuluu, vaikkei kompressorin olisikaan päällä. Tämä johtuu siitä, että jäähditysjärjestelmässä on kompressoituja nesteitä ja kaasuja.



Jääkaapin etureunat voivat olla lämpimät. Nämä alueet ovat tarkoitettu lämpimiksi, kondensaation estämiseksi.



Joissakin malleissa näyttöpaneeli sammuu automaattisesti 1 minuutin kuluttua oven sulkemisesta. Se aktivoituu, kun ovi avataan tai jotain painiketta painetaan.

6 Tuotteen käyttö

6.1 Ohjelman keskeyttäminen



Lue "Turvallisuusohjeet" osa ensin!

- Älä käytä mitään mekaanisia työkaluja tai muita kuin valmistajan suosittelemia työkaluja sulatuksen nopeuttamiseksi.
- Älä koskaan käytä jääkaapin osia, kuten ovia tai laatikoita, tukena tai askelmina. Tämä voi johtaa tuotteen kaatumiseen tai sen osien vaurioitumiseen.
- Tuotetta tulee käyttää vain elintarvikkeiden säilyttämiseen.
- Sulje vesihana, jos et ole kotona (esim. loman aikana) ja et käytä jääkonetta tai vedenannostelijaa pitkään aikaan. Muutoin vesivuotoja voi tapahtua.
- Jos tuotetta ei käytetä pitkään aikaan:
 - - irrota se virransyötöstä,
 - - poista ruoka sen sisältä hajujen ehkäisemiseksi,
 - - odota, kunnes jää on sulanut,
 - - puhdista sisäpuoli ja odota, että se kuivaa.
 - - jätä ovet auki sisäisten muoviosien vaurioiden välttämiseksi.

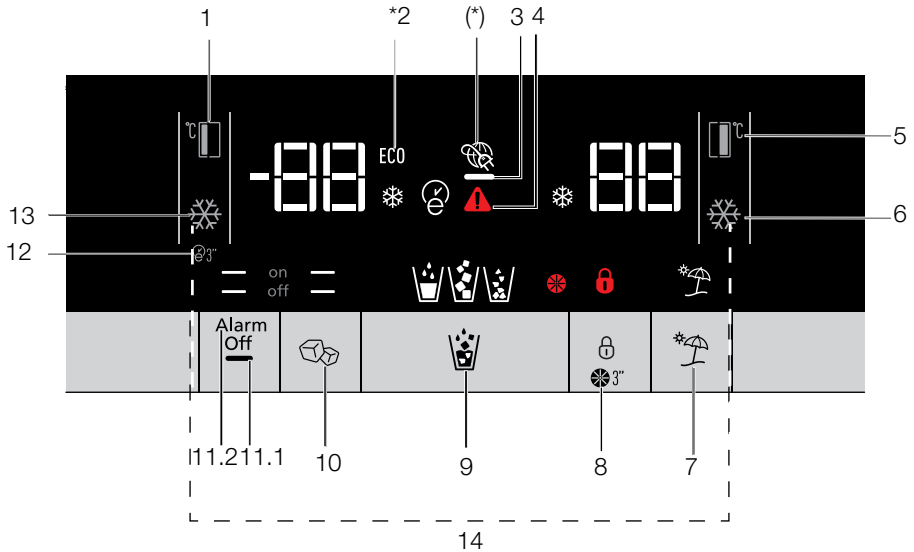
6 Tuotteen käyttö

Lue "Turvallisuusohjeet" osa ensin!

6.2 Näyttöpaneeli

Näyttöpaneelien sijainti voi vaihdella mallin mukaan.

Näyttöpaneelin ääni- ja kuvamerkit helpottavat jääkaappi käyttöä.



1. Pakastinosaston lämpötila-asetus
2. Eko-tila
3. Energiansäästötoiminto (näytön sammuttaminen):
4. Sähkökatkon / korkean lämpötilan / virhevaroituksen merkkivalo:
5. Kylmälokero lämpötila-asetus
6. Nopea jäähdytys
7. Loma-toiminto
8. Näppäinlukko / suodattimen vaihtohälytyksen peruutus
9. Veden, jäämurskan tai jääkuutioiden valitseminen
10. Jään valmistaminen päälle/pois
11. Näyttö päälle/pois / Hälytys pois -varoitus
12. Autom. eko -toiminto
13. Nopea pakastus
14. Celsius/Fahrenheit muunto

Ei käytettävissä kaikissa malleissa



***Lisävaruste:** Tämän käyttöohjeen kuvat ovat viitteellisiä, eivätkä välttämättä vastaa täysin tuotettasi. Mikäli tuotteesi ei sisällä joitakin osia, tiedot koskevat muita malleja.

1. Pakastinosaston lämpötila-asetus

Painamalla (°C) painiketta voit asettaa pakastuosaston lämpötilan -18,-19,-20,-21 ,-22,-23,-24,-18...

2. Eko-tila

Osoittaa, että jääkaappi käy energiansäästötilassa. Merkkivalo syttyy palamaan, jos pakastinosaston lämpötilaksi on asetettu -18 tai jos energiaa säästävä jäähdytys suoritetaan eko-ekstratoiminnon vuoksi. (ECO)

3. Energiansäästötoiminto (näytön sammuttaminen):

Jos laitteen ovia pidetään pitkään kiinni, energiansäästötoiminto käynnistyy automaattisesti ja energiansäästösymboli syttyy palamaan. Energiansäästötoiminnon ollessa asetettuna päälle, kaikki näytön symbolit, paitsi energiansäästösymboli, sammuvat. Kun energiansäästötoiminto on asetettu päälle, ja jotain painiketta painetaan tai ovi avataan, energiansäästötoiminto perutaan ja näytön symbolit palaavat normaaleiksi.

Energiansäästötoiminto on aktiivinen tehtaalta toimitettaessa, eikä sitä voi perua.

4. Sähkökatkon / korkean lämpötilan / virhevaroituksen merkkivalo

Tämä valo (⚠) syttyy palamaan lämpötila- tai vikahälytyksen yhteydessä. Merkkivalo syttyy sähkökatkon, korkean lämpötilan tai virhevaroitusten aikana. Pidempään kestävien sähkökatkojen aikana pakastinosaston saavuttama

korkein lämpötila vilkkuu digitaalisessa näytössä. Kun olet tarkistanut pakastinosastossa olevat elintarvikkeet, paina sammuta hälytys -painiketta sammuttaaksesi hälytyksen.

5. Kylmälokeroon lämpötila-asetus

Painamalla (L) painiketta, voit asettaa kylmälokeroon lämpötilan 8,7,6,5,4,3,2.. vastaavasti.

6. Pikajäähdytys

Pikajäähdytystä varten, paina painiketta; tämä käynnistää pikajäähdytyksen merkkivalon (❄).

Paina tätä painiketta uudelleen sammuttaaksesi toiminnon. Käytä tätä toimintoa silloin kun asetat tuoreita elintarvikkeita kylmälokeroon tai jäähdyttääksesi elintarvikkeet nopeasti. Kun tämä toiminto asetetaan päälle, se pysyy päällä 1 tunnin ajan.

7. Loma-toiminto

Loma-toiminnon ollessa (⏸) päällä, kylmälokeroon lämpötilailmaisnäyttöä "- -" eikä mikään jäähdytystoiminto ole päällä kylmälokerossa. Tämä toiminto ei sovellu elintarvikkeiden säilyttämiseen kylmälokerossa. Muut osastot pysyvät viileänä jokainen oman lämpötila-asetuksensa mukaisesti.

Paina loma-toimintoa uudelleen peruuttaaksesi tämän toiminnon. (⏸)

8. Näppäinlukko / suodattimen vaihtohälytyksen peruuttaminen

Paina näppäinlukkopainiketta (🔒) asettaaksesi näppäinlukon päälle. Voit myös käyttää tätä toimintoa estääksesi jääkaapin lämpötila-

ENG

ES

SV

NO

Fi

DA

PT

EL

asetuksen muuttamisen.

Jääkaapin suodatin tulee vaihtaa kerran puolessa vuodessa. Paina ja pidä pohjassa (❄️) painiketta 3 sekunnin ajan sammuttaaksesi suodattimen varoitusvalon.

9. Veden, jäämurskan tai jääkuutioiden valitseminen

Valitse veden (🌊), jääkuutioiden (🧊) tai jäämurskan (🧊) väliltä painamalla painiketta numero 8. Valo pysyy päällä.

10. Jään valmistaminen päälle/pois

Paina (❄️) painiketta peruuttaaksesi (off —) tai asettaaksesi päälle (on —) jään valmistamisen.

11.1 Näyttö päälle/pois

Paina (— off) painiketta peruuttaaksesi (XX) tai asettaaksesi (— on) näytön päälle/pois.

11.2 Hälytys pois -varoitus

Jos annetaan sähkökatkoksen / korkean lämpötilan hälytys, sammuta hälytys painamalla hälytyksen sammutuspainiketta, kun olet tarkistanut pakastinosastossa olevat elintarvikkeet.

12. Autom. eko -toiminto

Paina autom. eko-painiketta (🌱), 3 sekunnin ajan aktivoitaksesi tämän toiminnon. Jos ovea ei avata pitkän ajan kuluttua tämän toiminnon asettamisesta päälle, kylmälokero vaihtaa eko-tilaan. Paina painiketta uudelleen sammuttaaksesi tämän toiminnon.

Valo syttyy palamaan 6 tunnin päästä siitä kun autom. eko-toiminto on asetettu päälle. (🌱)

13. Pikajähdytys

Paina nopealle pakastukselle painiketta ; tämä aktivoi nopean pakastuksen ilmaisimen (❄️). Kun nopea pakastus on kytketty päälle, nopean pakastuksen ilmaisin syttyy ja pakastin lokeron lämpötilailmaisin näyttää arvon -27. Paina nopean pakastuksen painiketta (❄️) uudestaan toiminnon peruuttamiseksi. Nopean pakastuksen ilmaisin sammuu ja palaa normaaliin asetukseen. Nopea pakastus perutaan automaattisesti 24 tunnin kuluttua, ellei käyttäjä peruuta sitä. Jähdyttääksesi suuren määrän tuoreita elintarvikkeita, paina nopean pakastuksen painiketta 24 tuntia ennen kuin laitat elintarvikkeet pakastetilaan.

14. Celsius/Fahrenheit muunto

Lämpötila-arvot voidaan muuntaa Celsius ja Fahrenheit välillä (❄️) painamalla pikapakastus- (❄️) ja pikajähdytysnäppäintä (❄️) 3 sekuntia

6.3 Deodoriser Moduuli

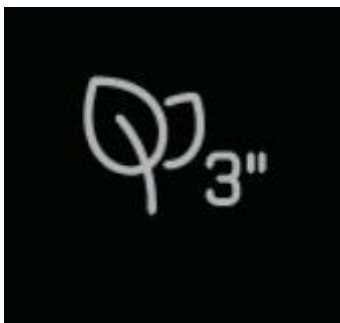
(OdourFresh +)

* Ei käytettävissä kaikissa malleissa

Deodoriser-moduuli poistaa nopeasti pahat hajut jääkaapista ennen kuin ne kiintyvät pintoihin. Tuoreruokalokeron kattoon asennettavat moduulin ansiosta, pahat hajut liukenevat hajusuodattimen läpi kulkevaan ilmaan ja suodattimen puhdistama ilma palaa tämän jälkeen tuoreruokalokeroon. Tällä tavalla voidaan estää elintarvikkeiden säilytyksestä johtuvien hajujen muodostuminen ehkäistä, ennen kuin ne piintyvät tuotteen pintoihin.

Tämä saavutetaan moduuliin integroidun puhaltimen, LED-valon ja hajusuodattimen avulla.

Kun deodoriser-moduulia halutaan käyttää, aktivoi se merkkivalopainikkeella.



6.4 Kosteusohjattu viileätila (FreSHelf)

(Tämä toiminto on lisävaruste)

Kosteusohjatun viileätilan ansiosta, voidaan vihanneksia ja hedelmiä säilyttää kauemmin ihanteellisissa kosteusolosuhteissa. 3 kosteustason asetusjärjestelmällä viileätilan etuosassa, voidaan lokeron kosteustasoa ohjata säilytettävän ruoan mukaan. Suosittelemme ruoan säilyttämiseksi, että valitset vihannesvaihtoehdon, kun vain vihanneksia säilytetään, hedelmävaihtoehdon, kun vain hedelmiä säilytetään ja sekalaiset-vaihtoehdon, kun sekalaisia ruokia säilytetään.

Suosittellemme, että vihanneksia ja hedelmiä ei säilytetä pusseissa niiden säilytysajan pidentämiseksi ja kosteuden ohjausjärjestelmän hyödyntämiseksi tehokkaammin. Säilyttäminen pussissa johtaa vihannesten mädäntymiseen nopeasti. Suosittelemme erityisesti, että kurkkuja ja parsakaalia ei säilytetä suljetuissa pusseissa. Tilanteissa, joissa ei toivota vihannesten koskettavan toisiinsa, käytä pakkausmateriaalina esimerkiksi paperia, jonka tietyntasoinen huokoisuus parantaa hygieniaa. Aseta raskaat ja kovat vihannekset alimmaksi ja kevyet ja pehmeät ylimmäksi ja huomioi vihannesten eri painot.

Älä aseta eteenikaasua muodostavia hedelmiä, kuten päärynät, aprikoosit ja etenkin omenat, samaan viileätilaan muiden vihannesten ja hedelmien kanssa. Näistä hedelmistä syntyvä eteenikaasu voi kypsyttää muut vihannekset ja hedelmät, jolloin ne myös mädäntyvät nopeammin.

ENG

ES

SV

NO

Fi

DA

PT

EL

6.5 ininen valo/ Vitamin Care Tekniikka

* Ei käytettävissä kaikissa malleissa

Siniselle valolle,

Tuoreruokalokerossa säilytettävät hedelmät ja vihannekset, jotka on valaistu sinisellä valolla jatkavat fotosynteesiään sinisen valon aaltopituuden vaikutuksesta ja säilyttävät täten C-vitamiinipitoisuutensa kauemmin.

VitaminCare+,

Tuoreruokalokerossa säilytettävät hedelmät ja vihannekset, jotka on valaistu VitaminCare+ tekniikalla säilyttävät A- ja C-vitamiinipitoisuutensa kauemmin, sinisen, vihreän, punaisen valon ja pimeiden jaksojen ansiosta, jotka simuloivat päivänajoja.

Tällä tekniikalla voit pitää hedelmät ja vihannekset maukkaina ja tuoreina kauemmin, mikä auttaa elintarvikejätteen määrää kototalouksissa.

Jos jääkaapin ovi avataan VitaminCare+ tekniikan, pimeän jakson aikana, havaitsee jääkaappi tämän automaattisesti ja sininen, vihreä tai punainen valo syttyy tuoreruokalokerossa. Kun jääkaapin ovi suljetaan, pimeä jakso jatkuu, mikä edustaa päivänajan yöaikaa.

6.6 Vesiautomaatin käyttö

(Tämä toiminto on lisävaruste)

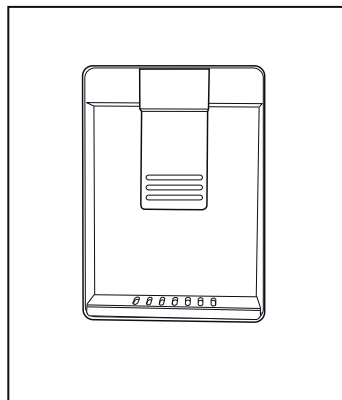


Muutama ensimmäinen vesiautomaatista otettu vesilasilliset ovat lämpimiä.



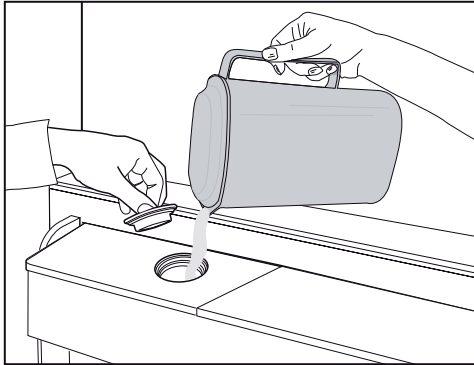
Jos vesiautomaattia ei käytetä pitkään aikaan, hävitä ensin muutama lasillinen vettä, puhtaan veden saamiseksi.

- 1- Paina vesiautomaatin vartta lasilla. Varren painaminen kädellä on helpompaa, jos käytät pehmeää muovilasiasia.
2. Vapauta varsi, kun lasi on täynnä.

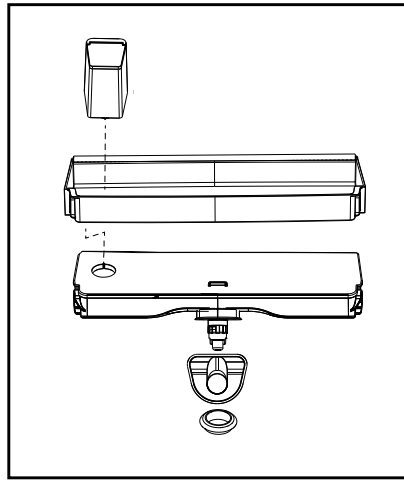
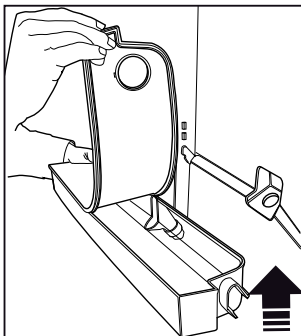
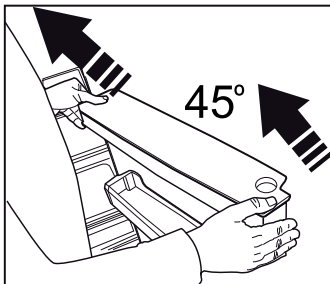
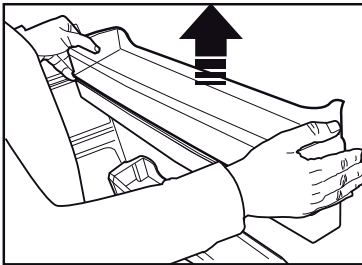


Veden virtausnopeus riippuu siitä, kuin voimakkaasti vartta painetaan. Vapauta varren painetta vedentason kasvaessa lasissa, ylivuotamisen välttämiseksi. Vesitippoja valuu ulos, jos vartta painetaan kevyesti: tämä on normaalia eikä toimintahäiriö.

6.7 Vesiautomaatin vesisäiliön täyttö



Avaa vesisäiliön kansi kuvan osoittamalla tavalla. Täytä puhtaalla vedellä. Sulje kansi.



6.8 Vesisäiliön puhdistus

Poista vesisäiliö ovihyllyn sisäpuolelta. Irrota pitämällä ovihyllyn molemmasta laidasta.

Pidä kiinni vesisäiliön molemmasta laidasta ja poista se 45° kulmassa. Irrota ja puhdista vesisäiliön kansi.



Älä kaada vesisäiliöön hedelmämehua, poreilevia juomia, alkoholijuomia tai muita nesteitä, jotka eivät sovi käytettäväksi vesiautomaatissa. Näiden nesteiden käyttö johtaa vesiautomaatin toimintahäiriöihin ja pysyviin vaurioihin. Vesiautomaatin käyttö tällä tavalla ei ole takuehtojen mukaista. Tietyt juomissa / nesteissä olevat kemikaalit ja lisäaineet voivat vaurioittaa vesisäiliön materiaalia.

ENG

ES

SV

NO

Fi

DA

PT

EL



Vesisäiliötä ja vesiautomaatin osia ei voida pestä astianpesukoneessa.



Vesisäiliön ja vesiautomaatin osia ei tule pestä astianpesukoneessa.

6.12 Hajusuodatin

(Tämä toiminto on lisävaruste)

Hajusuodatin jääkaappitilan ilmakanavassa estää hajujen muodostumisen.

6.9 Maitotuotteiden (kylmäsäilytys) lokero

*** Ei käytettävissä kaikissa malleissa**

”Maitotuotteiden (kylmäsäilytys) lokero” tarjoaa alemman lämpötilan jääkaappilokeron sisällä. Käytä tätä lokeroa einesten (salami, makkarat, maitotuotteet jne.) säilytykseen, jotka vaativat alemman säilytyslämpötilan tai välittömästi kulutettavien liha-, kana- tai kalatuotteiden säilytykseen. Älä säilytä hedelmiä tai vihanneksia tässä lokerossa.

6.10 Viileätila

Jääkaapin vihanneksilokero on tarkoitettu pitämään vihannekset tuoreina kosteuden ylläpitämisen avulla. Tämän mahdollistamiseksi, on viileätilan yleinen kylmän ilman kierrätys voimakkaampaa. Säilytä hedelmiä tai vihanneksia tässä lokerossa. Pidä lehtivhannekset ja hedelmät erillään, niiden säilytysajan pidentämiseksi.

6.11 Ionisoija

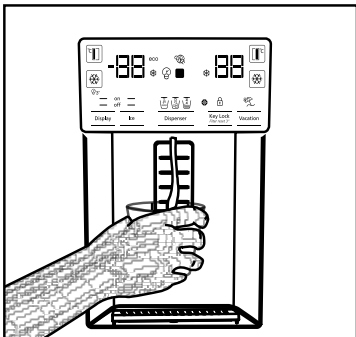
(Tämä toiminto on lisävaruste)

Ionisointijärjestelmä jääkaappitilan ilmakanavassa ionisoi ilman. Negatiiviset ionipäästöt poistavat bakteerit ja muut ilman hajua aiheuttavat molekyylit.

6.13 Jään / veden ottaminen

(Lisävaruste)

Veden (👉) / jääpalojen (👉) / jäämurskan (👉) ottamiseen näyttöä kyseisen vaihtoehdon valitsemiseksi. Ota vettä/jäätä painamalla vesiautomaatin liipaisinta eteenpäin. Kun jääpala (👉) / jäämurska (👉) vaihtoehtojen välillä valitaan, voidaan edellistä tyyppiä annostella muutaman lisäkerran.



- Odota noin 12 tuntia, ennen jään ottamista jääkoneesta / vesiautomaatista ensimmäisen kerran. Vesiautomaatti ei tuota jäätä, jos jäälokerossa ei ole riittävästi jäätä.
- Ensimmäistä 30 jääpalaa (3 - 4 litraa) ensimmäisen käytön jälkeen ei tule käyttää.
- Jää voi sulaa osittain ja jäätyä uudestaan sähkökatkoksen tai tilapäisen toimintahäiriön yhteydessä. Tämä johtaa jääpalojen kiinnittymisen toisiinsa. Jos kyseessä on pitkäaikainen sähkökatkos tai toimintahäiriö, poista jää lokerosta ja puhdista lokero. Jos tämä ongelma tapahtuu, poista jää lokerosta ja puhdista lokero.



VAROITUS: Tuotteen vesijärjestelmä saadaan liittää vain kylmävesilinjaan. Älä käytä kuumavesilinjaa.

- Tuote ei tuota vettä ensimmäisen käytön aikana. Tämä johtuu ilmastajärjestelmästä. Ilma on tyhjennettävä järjestelmästä. Tee tämä painamalla vesiautomaatin liipaisinta 1 - 2 minuuttia, kunnes automaatti syöttää vettä. Vedenvirtaus voi olla epäsäännöllistä alussa. Vesi virtaa normaalisti, kun ilma on poistettu järjestelmästä.
- Vesi voi olla sameaa suodattimen ensimmäisen käytön yhteydessä; älä juo 10 ensimmäistä vesilasillista.
- Anna veden jäähtyä noin 12 tuntia ensimmäisen asennuksen jälkeen.
- Tuotteen vesijärjestelmä on tarkoitettu vain puhtaalle vedelle. Älä käytä muita juomia.
- Suosittelemme, että vedensyöttö kytketään irti, jos tuotetta ei käytetä pitkään aikaan, esimerkiksi loman aikana.
- Jos vesiautomaattia ei käytetä pitkään aikaan, voivat 1 - 2 ensimmäistä lasillista olla lämpimiä.

ENG

ES

SV

NO

Fi

DA

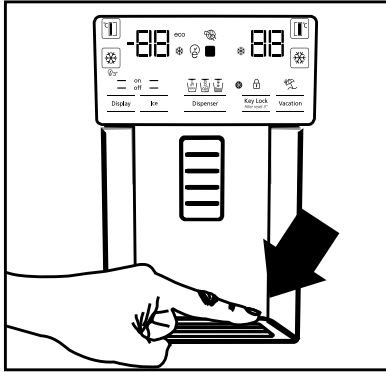
PT

EL

6.14 Tippakaukalo

(lisävaruste)

Vesiautomaatista valuva vesi kerääntyy tippakaukaloon; veden poistoa ei ole käytettävissä. Vedä tippakaukalo ulos tai paina sen reunoja kaukalon poistamiseksi. Poista vesi tippakaukalosta.



6.15 Jääkone

(Lisävaruste)

Jääkone sijaitsee pakastimen kannen yläosassa. Pidä kahvoista jääsäiliön sivuilla ja nosta sitä ylös sen poistamiseksi. Irrota jääkoneen koristekansi nostamalla sitä ylös.

KÄYTTÖ

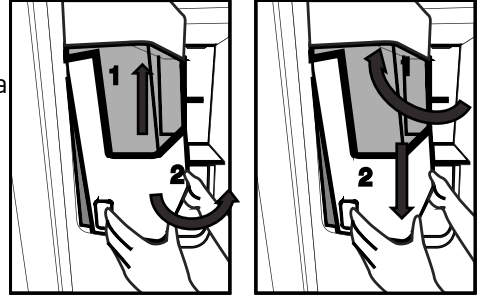
Jääsäiliön poistaminen

Pidä jääsäiliötä kahvoista, liikuta sitä ylös ja vedä se ulos. (Kuva 1)

Jääsäiliön asentaminen

Pidä jääsäiliötä kahvoista, nosta sitä ylöspäin kulmassa säiliön laitojen sovittamiseksi uriin ja varmista, että jään valintatappi on asennettu oikein. (Kuva 2)

Paina tiukasti alaspäin, kunnes säiliön ja oven muovin välissä ei ole tyhjää tilaa. (Kuva 2)



Jos säiliön asennus on vaikeaa, kierrä painiketta 90° ja asenna se kuvassa 3 esitetyllä tavalla. Jään putoamisesta mahdollisesti aiheutuva ääni on normaalia.

Kun jääkone ei toimi oikein



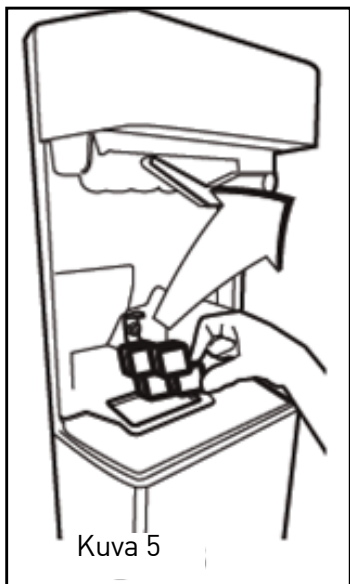
Kuva 3

Jos jääpaloja ei ole annosteltu pitkään aikaan, muuttuvat ne yhdeksi jääkimpaleeksi. Poista tässä tapauksessa jääsäiliö yllä olevien ohjeiden mukaan, murskaa jääkimpale, hävitä yhdessä oleva jää ja palauta jääpalat säiliöön. (Kuva 4)



Kuva 4

Jos jäätä ei syötetä, tarkasta onko jäätä juuttunut kanavaan ja poista se. Tarkasta jääkanava säännöllisesti ja poista esteet kuvassa 5 esitetyllä tavalla.



Kuva 5

Kun jääkaappia käytetään ensimmäisen kerran tai sitä ei ole käytetty pitkään aikaan, voivat jääpalat olla pieniä johtuen ilmasta putkessa liitännän jälkeen, joka poistuu normaalin käytön aikana. Poista yhdelle päivälle tuotettu jää, koska vesiputki voi olla likainen.

Varoitus!

Älä aseta käsiä tai muita esineitä jääkanavaan ja terään, koska osat voivat vaurioitua ja käsivamma syntyy.

Älä anna lasten roikkua jään anostelijassa tai jääkoneessa, koska tämä voi johtaa henkilövahinkoon.

Pidätä jässäiliötä molemmin käsin sen putoamisen estämiseksi.

Jos ovi suljetaan voimakkaasti, voi vettä roiskua ulos jässäiliöstä.

Älä irrota jässäiliötä, ellei tämä ole välttämätöntä.

Jos tukos on tapahtunut (jäätä ei tule ulos jääkaapista), kun jäämurskaa yritetään annostella, yritä

annostella jääpaloja.

Tämän jälkeen jäämurskaa voidaan annostella uudelleen.

Kun jäämurskaa annostellaan, voi jääpaloja tulla ulos ensin. Joskus jääpaloja tulee ulos jäämurskan annostelun aikana.

Tuotteen pakastinlokeron oven käyttö jääkoneen etupuolella voi muodostaa kevyen lumi- ja kalvo-kerroksen.

Tämä on normaalia ja tulee poistaa odottamatta liian pitkään.

Vettä täytetään ajan mittaan vesiautomaatin alaosaan. Suosittelemme tämän alueen veden puhdistamista säännöllisesti. Jäiden pudotessa jääsäiliöstä muodostuva ääni on normaali eikä se ole merkki toimintahäiriöstä. Terämekanismi jääsäiliössä on terävä ja voi aiheuttaa käsivamman. Jos jääkone ei tuota jäätä, voivat jäät olla tarttuneet yhteen. Irrota säiliö ja puhdistase. Jäättyä ei voida vaihtaa näytöllä, kun jääliipaisinta painetaan jään annostelemiseksi. Vapauta liipaisin, vaihda jäättyä näyttöä ja annostelee jäätä.

6.16 Tuoreiden elintarvikkeiden pakastaminen

- Ruoan laadun säilyttämiseksi, pakastimeen sijoitetut elintarvikkeet on pakastettava mahdollisimman nopeasti, joten käytä nopeaa pakastusta tähän.
- Jäähdyttääksesi suuren määrän tuoreita elintarvikkeita, paina nopean pakastuksen painiketta 24 tuntia ennen kuin laitot elintarvikkeet pakastetilaan.
- Elintarvikkeiden pakastaminen tuoreina pidentää niiden säilytysaikaa pakastelokerossa.
- Paketoi ruoka ilmatiiviisiin pakkauksiin ja sulje ne kunnolla.
- Varmista, että ruoka on pakattu, ennen sijoittamista pakastimeen. Käytä pakastinrasioita, alumiinikalvoa ja kosteudenkestävää paperia, muovipusseja tai vastaavia pakkausmateriaaleja perinteisen pakkauspaperin sijaan.

- Merkitse jokainen ruokapakkaus kirjoittamalla päivämäärän niihin. Näin voit tarkastaa jokaisen pakkauksen tuoreuden, kun pakastin avataan. Pidä vanhemmat pakkaukset etuosassa, jolloin ne käytetään ensimmäiseksi.
- Pakasteruoat on käytettävä välittömästi sulattamisen jälkeen, eikä niitä saa pakastaa uudestaan.
- Älä pakasta suuria ruokamääriä kerralla.

Pakastetilan asetus	Viileätilan asetus	Kuvaukset
-18 °C	4 °C	Tämä on oletusasetus.
-20, -22 tai -24 °C	4 °C	Näitä asetuksia suositellaan paikoissa, joissa ympäristön lämpötila ylittää 30 °C.
Nopea pakastus	4 °C	Paina nopean pakastuksen painiketta 24 tuntia ennen ruoan sijoittamista pakastaaksesi elintarvikkeita, laite palauttaa edelliset asetukset, kun prosessi on suoritettu loppuun.
-18° C tai kylmempi	2 °C	Käytä näitä asetuksia, jos uskot että viileätila ei ole riittävä kylmä, ympäristölämpötilasta tai oven jatkuvasta avaamisesta johtuen.

6.17 Pakastetun ruoan säilytys-suositukset

Tilan lämpötilan on oltava vähintään -18 °C.

1. Aseta ruoka pakastimeen mahdollisimman nopeasti, sen sulamisen ehkäisemiseksi.
2. Tarkasta ennen pakastamista "Eräntymispäivä" pakkauksessa ja varmista, ettei se ole päätynyt.
3. Tarkasta, että pakkaus ole vahingoittunut.

6.18 Syväpakastustiedot

IEC 62552 standardien mukaan, pakastimen on voitava pakastaa 4,5 kiloa ruokaa -18 °C tai alemmassa lämpötilassa 24 tunnin kuluessa jokaiselle pakastintilan 100 litran tilavuudelle. Ruokaa voidaan säilyttää pitkiä aikoja -18 °C tai alemmilla lämpötiloilla. Ruoka voi pysyä tuoreena useita kuukausia (pakastimessa -18 °C) tai alemmilla lämpötiloilla.

Pakastettava ruoka ei saa olla kosketuksessa jo pakastettuun ruokaan, osittaisen sulamisen ehkäisemiseksi.

Keitä vihannekset ja suodata vesi pois pakastusajan pidentämiseksi. Aseta ruoka ilmatiiviiseen pakkaukseen veden poistamisen jälkeen ja aseta se pakastimeen. Banaaneja, tomaatteja, salaattia, selleriä, keitetyjä kananmunia ja vastaavia ruokia ei tule pakastaa. Näiden ruokien pakastaminen laskee niiden ravintoarvoa ja laatua, ja ne voivat myös pilaantua ja aiheuttaa terveyshaittoja.

6.19 Elintarvikkeiden sijoittelu

Pakastelokeron hyllyt	Erilaiset pakastetut elintarvikkeet kuten liha, kala, jäätelö, kasvikset yms.
Jääkaappitilan hyllyt	Ruoka kattilassa, peitetyllä lautasella tai suljetussa rasiassa, kananmunat (suljetussa rasiassa)
Jääkaappitilan ovihyllyt	Pienet ja paketoituneet ruoat tai juomat
Vihanneslokero	Hedelmät ja vihannekset
Tuoreruokalokero	Einekset (aamiairuoka, lyhyellä aikavälillä valmistettavat lihatuotteet)

6.20 Ovi auki -hälytys

(Tämä toiminto on lisävaruste)

Äänimerkki kuuluu, jos tuotteen ovi on auki yli 1,5 minuuttia. Äänimerkki sammuu, kun ovi suljetaan tai jotain painiketta näytöllä (jos olemassa) painetaan.

6.22 Valaistus

Sisätilassa käytetään LED-valoa. Ota yhteys valtuutettuun huoltoon, jos valaistuksessa on ongelmia.

Laitteessa olevaa lamppua ei voida käyttää asunnon lamppuna. Valon tarkoitus on helpottaa ruokien sijoittamisessa jääkaappiin / pakastimeen.

ENG

ES

SV

NO

Fi

DA

PT

EL

7 Huolto ja puhdistus



VAROITUS: Lue
"Turvallisuusohjeet" osa ensin!



VAROITUS: Irrota jääkaappi
aina virransyötöstä ennen
puhdistusta.

- Älä käytä teräviä tai hankaavia työkaluja tuotteen puhdistukseen. Älä käytä puhdistukseen tuotteita, kuten puhdistusaineet, saippua, pesuaineet, kaasu, bensiini, alkoholi, vaha jne.
- Pöly on poistettava tuuletusritilästä tuotteen takaosassa vähintään kerran vuodessa (suojaa avaamatta). Puhdistus on suoritettava kuivalla liinalla.

Tuotteet vesisuihkulla / jääpalakoneella

- Jos vesi on ollut vesisäiliössä 2 - 3 viikon ajan, tulee se vaihtaa.
- Vesisäiliötä ja vesiautomaatin osia ei saa pestä astianpesukoneessa.
- Sulata teelusikallinen hiilihappoa veteen. Kostuta pyyhe vedessä ja väännä se kuivaksi. Pyyhi laite tällä pyyhkeellä ja kuivaa huolellisesti.
- Älä päästä vettä kosketuksen lampun suojan tai muiden sähköosien kanssa.
- Puhdista ovi kostealla liinalla. Poista kaikki sisältö ovitelineiden ja muiden lokeroiden poistamiseksi. Poista ovitelineet nostamalla niitä ylöspäin. Puhista ja kuivaa hyllyt, kiinnitä ne paikalleen yläpuolelta.
- Älä käytä klooria tai muita puhdistusaineita tuotteen ulkopinnoilla tai kromipinnoilla. Kloori johtaa näiden metallipintojen ruostumiseen.

- Älä käytä teräviä, hankaavia työkaluja, saippuaa, kodin puhdistusaineita, pyykinpesuaineita, bensiiniä jne. muoviosien epämuodostumisen ja niissä olevien tekstien irtoamisen estämiseksi. Käytä haaleaa vettä ja pehmeää pyyhettä puhdistamiseen ja pyyhi kuivaksi. Jäätymättömille tuotteille, vesipisaroi ta ja jäätä sormenleveydeltä voi muodostua pakastintilan takaseinään. Älä poista sitä, älä koskaan käytä öljyä tai vastaavia materiaaleja.
- Käytä kevyesti kostutettua mikrokuitupyyhettä tuotteen ulkopintojen puhdistamiseen. Sienet ja vastaavat puhdistusliinat voivat naarmuttaa pintaa.
- Kaikkien irrotettavien osien puhdistamiseksi tuotteen sisäpintojen puhdistuksen yhteydessä, pese nämä osat miedolla saippuan, veden ja soodan sekoituksella. Pese ja kuivaa huolellisesti. Estä veden pääsy valaistuksen osiin ja ohjauspaneeliin.



HUOMIO:

Älä käytä viinietikkaa, spritiä tai muita alkoholipohjaisia puhdistusaineita sisäpinnoilla.

7.1 Ulkoiset ruostumattomat teräspinnat

Käytä hankaamatonta ruostumattoman teräksen puhdistusainetta ja pehmeää, nukkaamatonta pyyhettä. Kiillota pyyhkimällä

7 Huolto ja puhdistus

pinta kevyesti vedellä kostutetulla mikrokuitupyhkeellä ja käytä kuivaa kiillotussäämiskää. Pyyhi aina ruostumattoman teräksen syiden mukaisesti.

7.2 Tuotteiden lasiovilla puhdistaminen

Poista suojakalvo lasista. Lasipinnoilla on pinnoitus. Tämä pinnoite ehkäisee tahrojen muodostumista ja helpottaa niihin muodostuneiden tahrojen ja lian poistamista. Pinnoittamaton lasi voi altistua pysyville orgaanisten tai epäorgaanisten, ilman ja veden epäpuhtauksien tarttumiselle, kuten kalkki, mineraalisuolat, palamattomat hiilivedyt, metallioksidit ja silikonit, jotka aiheuttavat tahraantumista ja fyysisiä vaurioita lyhyessä ajassa. Lasien pitämisestä puhtaana voi tulla vaikeaa, tai jopa mahdotonta, vaikka ne puhdistetaan säännöllisesti. Lasin läpinäkyvyys ja ulkomuoto heikkenee tästä johtuen. Kovat ja hankaavat puhdistusmenetelmät ja puhdistusaineet lisäävät ja kiihdyttävät näitä vaurioita. Puhdistuksessa tulee käyttää, *ei-emäksistä ja syövyttämätöntä, vesipohjaista puhdistusainetta. Tämän pinnoitteen käyttöön pidentämiseksi, ei emäksisiä ja syövyttäviä aineita tule käyttää puhdistukseen.

Karkaisumenetelmää on käytetty näiden lasien iskun- ja murtumiskestävyyden parantamiseksi.

Lisävarotoimenpiteenä, näiden lasien takapintaan on kiinnitetty suojakalvo, joka estää ympäristöhaitat, jos ne sattuvat murtumaan.

7.3 Hajujen ehkäiseminen

Tuote on valmistettu hajuttomista materiaaleista. Ruoan säilytys sopimattomissa osissa tai sisäpintojen virheellinen puhdistus voi kuitenkin johtaa hajujen muodostumiseen. Tämän välttämiseksi, puhdista sisäpinnat soodavedellä 15 päivän välein.

- Säilytä ruoka suljetuissa astioissa. Mikro-organismit voivat levitä sulkemattomista astioista ja aiheuttaa hajuja.
- Älä säilytä vanhentuneita ja pilaantuneita ruokia jääkaapissa.



Tee on yksi tehokkaimmista hajunpoistajista. Aseta keitettyä teetä tuotteeseen avoimeen lokeroon ja poista se viimeistään 12 tunnin kuluttua. Jos teetä säilytetään tuotteen sisällä yli 12 tuntia, kerää se hajuja muodostavia organismeja ja muuttuu itse hajulähteeksi.

7.4 Muovipintojen suojaus

Muovipinnoille valunut öljy voi vaurioittaa pintoja ja on poistettava välittömästi lämpimällä vedellä.

8. Vianetsintä

Tarkista tämä lista, ennen kuin otat yhteyttä huoltopisteeseen. Näin säästät sekä aikaa että rahaa. Tämä luettelo sisältää yleisiä ongelmatilanteita, jotka eivät liity valmistusvirheisiin tai virheellisiin materiaaleihin. Tietyt tässä mainitut ominaisuudet, eivät ehkä koske sinun tuotettasi.

Jääkaappi ei toimi.

- Virtapistoke ei ole kunnolla pistorasiassa. >>> Aseta virtapistoke kunnolla pistorasiaan.
- Pistorasiaan liittyvä sulake tai pääsulake on palanut. >>> Tarkista sulakkeet.

Kosteuden tiivistyminen viileäkaapin sivuseiniin (MULTI ZONE, COOL, CONTROL ja FLEXI ZONE).

- Ovi avataan liian usein >>> varo, ettet avaa laitteen ovea liian usein.
- Ympäristö on liian kostea Älä asenna tuotetta kosteisiin tiloihin.
- Nesteitä sisältävät ruoat ovat avonaisissa astioissa. >>> Nesteitä sisältävät ruoat tulee säilyttää suljetuissa astioissa.
- Laitteen ovi on jätetty auki. >>> Älä pidä jääkaapin ovea auki pitkiä aikoja.
- Termostaatti on asetettu liian alhaiseen lämpötilaan. >>> Aseta termostaatti asianmukaiseen lämpötilaan.

Kompressor ei toimi.

- Äkillisen virtakatkoksen yhteydessä tai vedettäessä virtapistoke pistokkeesta ja asetettaessa se jälleen takaisin, kaasupaine tuotteen jäähdytysjärjestelmässä ei ole tasapainossa, mikä laukaisee kompressorin turvakatkaisijan. Tuote käynnistyy tämän jälkeen noin 6 minuutin kuluttua. Jos laite ei käynnisty uudelleen tämän ajan kuluttua, ota yhteyttä valtuutettuun huoltoliikkeeseen.
- Sulatus on käynnissä. >>> Tämä on normaalia täysautomaattiselle sulatuslaitteelle. Sulatus suoritetaan tietyin väliajoin.
- Laitetta ei ole kytketty verkkovirtaan. >>> Varmista, että virtapistoke on pistorasiassa.
- Lämpötilan asetus on virheellinen. >>> Valitse asianmukainen lämpötila-asetus.
- Virtaa ei ole saatavilla. >>> Laitteen toiminta jatkuu normaalisti, kun virta palautuu.

Jääkaapin muodostama ääni lisääntyy käytön aikana.

- Laitteen toiminta voi vaihdella ympäristön lämpötilan vaihteluista riippuen. Tämä on normaalia, eikä kyseessä ole laitteen toimintahäiriö.

Jääkaappi käy liian usein tai liian pitkään.

- Uusi laite voi olla aikaisempaa suurempi. Suuremmat laitteet käyvät pidempiä aikoja.
- Huoneenlämpötila saattaa olla liian korkea. >>> Laite käy normaalisti kauemmin korkeammassa huoneenlämpötilassa.
- Laite on mahdollisesti äskettäin kytketty verkkovirtaan tai sen sisälle on laitettu uusi elintarvike. Laitteelta kestää kauemmin saavuttaa asetettu lämpötila, mikäli pistoke on äskettäin kytketty pistorasiaan tai jääkaappiin on asetettu uusi elintarvike. Tämä on normaalia.
- Laitteeseen on asetettu äskettäin suuria määriä kuumia elintarvikkeita. >>> Älä aseta kuumaa ruokaa jääkaappiin.
- Ovia on avattu usein tai niitä on pidetty kauan auki. >>> Laite käy kauemmin sen sisällä liikkuvan lämpimän ilman vuoksi. Älä avaa ovea liian usein.
- Pakastimen tai jäähdyttimen ovi saattaa olla raollaan. >>> Tarkista, että kaikki ovet on suljettu hyvin.
- Laitteen lämpötila on saatettu asettaa liian alhaiseksi. >>> Aseta korkeampi lämpötila ja odota, että laite saavuttaa asetetun lämpötilan.
- Jääkaapin tai pakastimen oven tiiviste saattaa olla likainen, kulunut, rikki tai pois paikaltaan. >>> Puhdista tai vaihda tiiviste. Mikäli tiiviste on vaurioitunut, laite saattaa käydä kauemmin pitääkseen yllä valitun lämpötilan.

Pakastimen lämpötila on hyvin alhainen, mutta viileäkaapin lämpötila on riittävä.

- Pakastelokeron lämpötila on säädetty hyvin alhaiseksi. >>> Aseta pakastelokeron lämpötila korkeammaksi ja tarkista uudelleen.

Viileäkaapin lämpötila on matala, mutta pakastimen lämpötila on riittävä.

- Viileäkaapin lämpötila on säädetty hyvin alhaiseksi. >>> Aseta viileäkaapin lämpötila korkeammaksi ja tarkista uudelleen.

Viileäkaapissa pidetyt elintarvikkeet ovat jäässä.

- Viileäkaapin lämpötila on säädetty hyvin alhaiseksi. >>> Aseta pakastelokeron lämpötila korkeammaksi ja tarkista uudelleen.

Viileäkaapin tai pakastelokeron lämpötila on liian korkea.

ENG

ES

SV

NO

FI

DA

PT

EL

- Viileäkaapin lämpötila on säädetty hyvin korkeaksi. >> Viileäkaapin lämpötila-asetus vaikuttaa pakastelokeron lämpötilaan. Vaihda jäähdyttimen tai pakastimessa matkustamon lämpötilaa ja odota kunnes osastojen avata säätää tehon tasolle.
- Ovia on avattu usein tai niitä on pidetty kauan auki. >>> Älä avaa ovea liian usein.
- Ovi saattaa olla rikki. >>> Sulje ovi kunnolla.
- Laite on mahdollisesti äskettäin kytketty verkkovirtaan tai sen sisälle on laitettu uusi elintarvike. >>> Tämä on normaalia. Laitteelta kestää kauemmin saavuttaa asetettu lämpötila, mikäli pistoke on äskettäin kytketty pistorasiaan tai jääkaappiin on asetettu uusi elintarvike.
- Laitteeseen on asetettu äskettäin suuria määriä kuumia elintarvikkeita. >>> Älä aseta kuumaa ruokaa jääkaappiin.

Tärinä tai ääni

- Alusta ei ole tasainen. Jos tuote tärisee, kun sitä liikutetaan hitaasti, säädä jalustaa laitteen tasapainottamiseksi. Varmista myös, että alusta kannattaa laitteen.
- Laitteen päälle asetetut esineet saattavat aiheuttaa ääniä. >>> Poista kaikki laitteen päälle asetetut esineet.

Laitteesta kuuluu läikkyvän tai suihkuavan nesteiden muodostamaa ääntä.

- Tuotteen toiminta perustuu nesteen ja kaasun virtaukseen. >>> Tämä on normaalia, eikä kyseessä ole laitteen toimintahäiriö.

Laitteesta kuuluu puhaltavan tuulen ääni.

- Laite käyttää jäähdytykseen tuuletinta. Tämä on normaalia, eikä kyseessä ole laitteen toimintahäiriö.

Laitteen sisäseinissä on kondensoitunutta kosteutta.

- Kuuma ja kostea sää lisää jäätymistä ja kondensaatiota. Tämä on normaalia, eikä kyseessä ole laitteen toimintahäiriö.
- Ovia on avattu usein tai niitä on pidetty kauan auki. >>> Älä avaa ovia liian usein, mikäli ovi on auki, sulje se.
- Ovi saattaa olla rikki. >>> Sulje ovi kunnolla.

Laitteen ulkopinnoissa tai ovien välissä on tiivistynyttä kosteutta.

- Käyttöympäristön ilma saattaa olla kosteaa, tämä on normaalia kostealla säällä. >>> Tiivistynyt höyry haihtuu, kun kosteus vähenee.

Laitteen sisäpuoli haisee pahalta.

- Laitetta ei ole puhdistettu säännöllisesti. >>> Puhdista laitteen sisäpuoli säännöllisesti sienellä, lämpimällä vedellä ja hiilihapotetulla vedellä.
- Joistakin asioista ja pakkausmateriaaleista lähtee hajua. >>> Käytä hajuttomia astioita ja pakkausmateriaaleja.
- Elintarvikkeita ei ole säilytetty suljetuissa astioissa. >>> Säilytä ruoka suljetuissa astioissa. Mikro-organismit voivat levitä sulkemattomista asioista ja aiheuttaa hajuja.
- Poista vanhentuneet tai pilaantuneet elintarvikkeet.

Ovi ei sulkeudu.

- Elintarvikepakkaukset saattavat estää ovea sulkeutumasta. >>> Tarkista, estääkö jokin pakkaus ovea sulkeutumasta.
- Laite ole alustallaan täysin pystysuorassa asennossa. >>> Säädä jalkoja tasapainottaaksesi laitteen.
- Alusta ei ole tasainen. >>> Varmista, että alusta on tasainen ja että se kantaa laitteen painon.

Vihanneslaatikko on juuttunut.

- Elintarvikkeet saattavat koskettaa vetolaatikon yläosaa. >>> Tarkista, miten elintarvikkeet ovat laatikossa.

Jos Tuotteen Pinta On Kuuma.

- Korkeat lämpötilat voidaan havaita kahden oven välillä, sivupaneeleissa ja takaritilässä laitteen ollessa käytössä. Tämä on normaalia eikä vaadi huoltotoimenpiteitä! Ole varovainen joutuessasi kosketuksiin näiden alueiden kanssa.



VAROITUS: Mikäli ongelma ei ratkea tässä osiossa annettuja ohjeita noudattaen, ota yhteyttä valtuutettuun huoltopisteeseen. Älä yritä korjata tuotetta itse.

ENG

ES

SV

NO

Fi

DA

PT

EL

VASTUUVAPAUCLAUSEKE / VAROITUS

Loppukäyttäjä voi suorittaa joitakin (yksinkertaisia) korjauksia ilman turvallisuusongelmia tai käyttöturvallisuuden heikkenemistä, olettaen, että ne suoritetaan rajoitusten ja seuraavien ohjeiden mukaan (katso osa "Itsekorjaus").

Siksi, jos osassa "Itsekorjaus" ei ole muuta todettu, korjaukset on luovutettava rekisteröidylle ammattimaiselle asentajalle turvallisuusongelmien välttämiseksi. Rekisteröity ammattimainen asentaja on henkilö, jolla on pääsy tämän tuotteen valmistajan ohjeisiin ja varaosaluetteloon, direktiivin 2009/125/EC mukaan kuvattujen menetelmien mukaisesti.

Mutta vain huoltoedustaja (ts. valtuutettu ammattimainen asentaja), johon voit ottaa yhteyden käyttöohjeessa/takuukortissa olevasta puhelinnumerosta tai valtuutetun jälleenmyyjän kautta, joka suorittaa korjaukset takuuehtojen mukaisesti. Huomaa siksi, että ammattimaisen asentajan suorittamat korjaukset (joita Grundig ei ole valtuuttanut), mitätöi takuun.

Itsekorjaus

Loppukäyttäjä voi suorittaa itsekorjaukset seuraavien varaosien kohdalla:, ovenkahvat, oven saranat, hyllyt, korit ja oven tiivisteet (päivitetty luettelo on myös saatavissa osoitteessa support.grundig.com 1. maaliskuuta 2021 lähtien

Tämän lisäksi on tuoteturvallisuuden varmistamiseksi ja vakavien henkilövahinkojen välttämiseksi mainitut itsekorjaukset suoritettava käyttöohjeessa tai osoitteessa support.grundig.com olevien itsekorjausta koskevien ohjeiden mukaan. Irrota laite virransyötöstä ennen korjausten aloittamista.

Loppukäyttäjän suorittamat korjaukset tai korjausyritykset osille, joita ei ole mainittu kyseisessä luettelossa ja/tai käyttöohjeessa tai osoitteessa support.grundig.com olevien itsekorjausohjeiden laiminlyöminen, voi johtaa turvallisuusongelmiin Grundig hallinnan ulkopuolella ja voi mitätöidä tuotteen takuun.

Siksi suosittelemme, että loppukäyttäjät välttävät korjausten suorittamista, joita ei ole mainittu varaosaluettelossa, vaan ottavat yhteyden valtuutettuun tai rekisteröityyn ammattimaiseen asentajaan. Toisaalta nämä loppukäyttäjän suorittamat korjausyritykset voivat johtaa turvallisuusongelmiin ja tuotevaurioihin ja aiheuttaa tulipalon, tulvan, sähköiskun ja vakavaan henkilövahinkoon.

Esimerkkinä, mutta ei rajoittuen näihin, seuraavat korjaukset on luovutettava valtuutetulle tai rekisteröidylle ammattimaiselle asentajalle: kompressori, jäähdytyspiiri, pääpiirilevy, invertterilevy, näyttökortti jne.

Valmistajaa/myyjää ei voida pitää vastuussa, mikäli loppukäyttäjä ei noudata yllä mainittuja ohjeita.

Varaosat ovat saatavissa ostamaasi jääkaapin 10 vuoden ajan.

Tämän aikana, varaosat ovat saatavissa jääkaapin toiminnan varmistamiseksi.

Ostamasi jääkaapin minimitakuuaika on 24 kuukautta.

Tämä tuote on varustettu "G" energialuokan valolähteellä.

Tuotteen valolähteen saa suorittaa vain ammattitaitoinen asentaja.

1 Sikkerhedsinstruktioner 2

-  1.1 Tilsigtet anvendelse 2
-  1.2 - Sikkerhed for børn, sårbare personer og husdyr 2
-  1.3 - El-sikkerhed 3
-  1.4 - Transportsikkerhed 3
-  1.5 - Installationssikkerhed... 3
-  1.6- Driftssikkerhed 5
-  1.7- Vedligeholdelses- og rengøringsikkerhed 6
-  1.8- HomeWhiz 7
-  1.9- Belysning 7

2 Miljøinstruktioner 8

- 2.1 Overholdelse af WEEE-direktivet og bortskaffelse af affaldsprodukt.: 8
- 2.2 Overholdelse af RoHS-direktivet 8
- 2.3 Emballageoplysninger 8

3 Dit køleskab 9

4 Installation 10

- 4.1 Korrekt monteringssted10
- 4.2 Montering af plastkiler10
- 4.3 Justering af fødderne.....11
- 4.4 Eltilslutning13
- 4.5 Vandtilslutning13
- 4.6 Tilslut vandslangen til produktet.....14
- 4.7 Tilslutning til vandforsyningen .14
- 4.8. For produkter der bruger vandtank.....15
- 4.9 Vandfilter16
 - 4.9.1. Fastgørelse af eksternt filter på væggen (Ekstraudstyr).....16
 - 4.9.2. Internt filter.....17

5 Forberedelse 20

- 5.1 Sådan opnås energibesparelser20

5 Forberedelse 21

- 5.2 Førstegangsbrug.....21

6 Betjening af produktet 22

- 6.1 Sæt programmet på pause22

6 Betjening af produktet 23

- 6.2 Instrumentpanel23
- 6.3 Deodoriseringsmodul26
- 6.4 Fugtighedsstyret skuffe (FreSHelf)26
(Denne funktion er ekstraudstyr) ...26
- 6.5 Vitamin Care-teknologi27
- 6.6 Brug af vandfontæne27
- 6.7 Påfyldning af vandfontænen vandtank.....27
- 6.8 Påfyldning af vandfontænen vandtank.....28
- 6.9 Tømning af vandbeholderen29
- 6.10 Kurv til mejerivarer (køleopbevaring)29
- 6.11 Skuffe29
- 6.12 Ionisator29
- 6.13 Pumpefilter30
- 6.14 Icematic og is-opbevaringsboks.....30
- 6.15 Icematic og is-opbevaringsboks.....31
- 6.16 Udtagning af is/vand31
- 6.17 Drypbakke32
- 6.18 Ismaskine32
- 6.19 Frysning af friske fødevarer35
- 6.20 Anbefalinger til opbevaring af frosne fødevarer.....36
- 6.21 Detaljer om dybfryser36
- 6.22 Anbringelse af fødevarer37
- 6.23 Alarm for åben dør.....37
- 6.24 Belysningslampe.....37

7 Vedligeholdelse og rengøring 38

- 7.1 Ydre overflader i rustfrit stål.....38

7 Vedligeholdelse og rengøring 39

- 7.2 Rengøring af produkter med glasdøre39
- 7.3 Forebyggelse af lugt39
- 7.4 Beskyttelse af plastoverflader39

8. Fejlfinding 40

Kære kunde

Det er vores ønske, at du opnår den optimale effektivitet fra vores produkt, som er fremstillet på moderne anlæg med omhyggelig kvalitetskontrol. Til dette formål skal du læse hele brugervejledningen, før du tager produktet i brug og opbevare vejledningen som referencekilde. Hvis du overdrager produktet over til en anden person, skal denne vejledning medfølge sammen med produktet.

Brugervejledningen garanterer hurtig og sikker brug af produktet.

- Læs venligst brugervejledningen, før du installerer og bruger produktet.
 - Overhold altid de gældende sikkerhedsforskrifter.
 - Opbevar brugervejledningen let tilgængeligt for fremtidig brug.
 - Læs venligst alle andre dokumenter, der følger med produktet.
- Husk, at denne brugervejledning kan gælde for flere modeller. Vejledningen angiver tydeligt eventuelle varianter af forskellige modeller.

Symboler og mærkater

Følgende symboler bruges i denne vejledning:

	Vigtige oplysninger og nyttige tips.
	Risiko for liv og ejendom.
	Risiko for elektrisk stød.
	Produktets emballage er lavet af genbrugsmaterialer, i overensstemmelse med den nationale miljølovgivning.

INFORMATION



SUPPLIER'S NAME

MODEL IDENTIFIER → (*)

A


A


Modeloplysninger, som er gemt i produkt databasen, kan nås ved at gå ind på følgende websted og søge efter din modelidentifikator (*), der findes på energimærket.


<https://eprel.ec.europa.eu/>

1 Sikkerhedsinstruktioner

- Dette afsnit indeholder sikkerhedsinstruktioner, der hjælper med beskyttelse mod risici for personskade eller materielle skader.
- Vores firma skal ikke holdes ansvarlig for skader, der kan opstå, hvis disse instruktioner ikke overholdes.

 Installations- og reparationsprocedurer skal altid udføres af producenten, et autoriseret serviceværksted eller en kvalificeret person, der er udpeget af importøren.

 Brug kun originale dele og tilbehør.

 Du må ikke reparere eller udskifte enhver del af apparatet, medmindre det specifikt er angivet i brugermanualen.

 Foretag ikke tekniske ændringer på produktet.

1.1 Tilsigtet anvendelse

- Dette produkt er ikke egnet til kommercielle formål, og det må ikke anvendes til andre formål end dets tilsigtede anvendelse.

Dette produkt er designet til brug i huse og indendørs.
For eksempel:

- I personalekøkkener i butikker, kontorer og andre arbejdsmiljøer
- Landbrugsejendomme;
- Områder, der bruges af kunder på hoteller, moteller og andre typer indkvartering
- Bed & breakfast-hoteller, pensionater,
- Catering og lignende ikke-detailbutikker.

Dette produkt bør ikke bruges udendørs med eller uden et telt over det, såsom både, altaner eller terrasser. Udsæt ikke produktet for regn, sne, sol eller vind.
Der er risiko for brand.

1.2 - Sikkerhed for børn, sårbare personer og husdyr

- Dette produkt kan bruges af børn over 8 år og af personer med begrænsede fysiske, sensoriske eller mentale evner eller mangler erfaring og viden, forudsat at de overvåges eller trænes i sikker anvendelse af produktet og de risici, det medfører.
- Børn i alderen 3 til 8 år har tilladelse til at ilægge og udtage køleprodukter.
- El-produkter er farlige for børn og husdyr. Børn og kæledyr må ikke lege med, klatre eller komme ind i produktet.
- Rengøring og brugervedligeholdelse må ikke foretages af børn uden opsyn.
- Hold emballagematerialer utilgængelige for børn. Der er risiko for personskade og kvælning.
- Inden bortskaffelse af det gamle eller forældede produkt:

1. Frakobl produktet ved at

tage fat i stikket.

2. Klip netledningen over, og tag den ud af apparatet sammen med stikket.

3. Fjern ikke hylderne eller skufferne, så det er sværere for børn at komme ind i produktet.

4. Fjern dørene.

5. Opbevar produktet på en sådan måde, at det ikke vælter.

6. Lad ikke børn lege med det gamle produkt.

- Kast aldrig produktet i ild til bortskaffelse. Der er risiko for eksplosion.
- Hvis der er en lås på døren til produktet, skal nøglen opbevares utilgængeligt for børn.

1.3 - El-sikkerhed

- Produktet skal være afbrudt under installation, vedligeholdelse, rengøring, reparation og flytning.
- Hvis ledningen er beskadiget, skal den udskiftes af producenten, dennes serviceværksted eller af en kvalificeret fagmand for at undgå enhver risiko.
- Bøj ikke strømkablet under eller bag produktet. Undlad at placere andre objekter på apparatet. Strømkablet må ikke bøjes for meget, klemmes eller komme i kontakt med nogen varmekilde.
- Brug ikke en forlængerledning, stikdåse eller adapter til at betjene dit produkt.
- Bærbare stikdåser eller bærbare strømforsyninger kan overophedes

og forårsage brand. Sæt derfor ikke flere stikdåser bag ved eller i nærheden af produktet.

- Stikket skal være let tilgængeligt. Hvis dette ikke er muligt, skal den elektriske installation, som produktet er tilsluttet, indeholde en enhed (såsom en sikring, afbryder, afbryder osv.), Der er i overensstemmelse med de elektriske forskrifter og frakobler alle poler fra gitteret.
- Rør ikke ved stikket med våde hænder!
- Fjern stikket fra kontakten ved at tage fat i stikket og ikke i kablet.

1.4 - Transportsikkerhed

- Produktet er tungt, flyt det ikke alene.
- Hold ikke på døren, når du flytter produktet.
- Vær opmærksom på ikke at beskadige kølesystemet eller rørledningen under transport. Hvis rørledningen er beskadiget, må du ikke betjene produktet og du skal kontakte det autoriserede værksted.

1.5 - Installationssikkerhed

- Ring til det autoriserede serviceværksted for installation af produktet. For at gøre produktet klar til brug skal du kontrollere oplysningerne i brugermanualen for at sikre dig, at el- og vandinstallationer er egnede. Hvis det ikke er tilfældet, skal du ringe til en kvalificeret elektriker og blikkenslager for at få de nødvendige ordninger. Ellers er der risiko for

elektrisk stød, brand, problemer med produktet eller personskade!

- Før installationen skal du kontrollere, om produktet har nogen defekter. Hvis produktet er beskadiget, skal du ikke have det installeret.
- Placer produktet på en jævn og hård overflade, og skab ligevægt med de justerbare ben. Ellers kan køleskabet vælte og forårsage kvæstelser.
- Installationsstedet skal være tørt og godt ventileret. Opbevar ikke tæpper, løbere eller lignende gulvbelægninger under produktet. Utilstrækkelig ventilation giver risiko for brand!
- Bloker ikke ventilationsåbningerne. Ellers øges strømforbruget, og dit produkt kan blive beskadiget.
- Tilslut ikke produktet til forsyningssystemer, f.eks. solenergiforsyninger. Ellers kan dit produkt blive beskadiget på grund af pludselige spændingsændringer!
- Jo mere kølemiddel et køleskab indeholder, jo større skal installationsrummet være. Hvis installationsstedet er for lille, samles brandbart kølemiddel og luftblanding i tilfælde af lækage af kølemedium i kølesystemet. Den krævede plads til hvert 8 g kølemiddel er mindst 1 m³. Mængden af kølemiddel, der er tilgængeligt i dit produkt, er angivet på typeskiltet.
- Produktet må ikke installeres på steder, der udsættes for direkte sollys, og det skal holdes væk fra varmekilder som kogeplader, radiatorer osv.

Hvis det er uundgåeligt at installere produktet tæt på en varmekilde, skal der bruges en passende isoleringsplade imellem, og følgende minimale afstande skal holdes til varmekilden:

- Minimum 30 cm væk fra varmekilder såsom kogeplader, ovne, varmeapparater eller komfurer
- Og mindst 5 cm væk fra elektriske ovne.

- Dit produkts beskyttelsesklasse er type I. Slut produktet i et jordet stikkontakt, der er i overensstemmelse med spændings-, strøm- og frekvensværdierne, der er angivet på produktets etiket. Stikket skal være udstyret med en afbryder på 10 - 16 A. Vores firma er ikke ansvarlig for skader, der opstår, når produktet bruges uden jordforbindelse og elektrisk forbindelse i overensstemmelse med de lokale og nationale regler.
- Produktet må ikke være tilsluttet under installationen. Ellers er der risiko for elektrisk stød og personskade!
- Sæt ikke produktet i stikkontakter, der er løse, forskudte, ødelagte, beskidte, fedtede eller med risiko for at komme i kontakt med vand.
- Placer netledningen og slangerne (hvis de er tilgængelige) på produktet, så der ikke findes risiko for at man kan snuble over dem.
- Udsættelse af spændingsdele eller strømkablet for luftfugtighed kan forårsage kortslutning. Installer derfor ikke produktet på steder som garager eller vaskerum, hvor fugtigheden er høj, eller vand kan sprøjte. Hvis køleskabet bliver vådt med vand, skal du tage stikket ud af det og ringe til det autoriserede serviceværksted.

- Tilslut ikke dit køleskab til strømbesparende enheder. Disse systemer er skadelige for produktet.

1.6- Driftssikkerhed

- Anvend ikke kemiske opløsningsmidler på produktet. Der er risiko for eksplosion.
- I tilfælde af en fejl på produktet, skal du tage stikket ud af stikkontakten og ikke bruge det, før det er repareret af det autoriserede værksted. Der er risiko for elektrisk stød!
- Anbring ikke flammekilder (tændte stearinlys, cigaretter osv.) på eller i nærheden af produktet.
- Kravt ikke på produktet. Der er risiko for personskade og fald!
- Undgå at beskadige rørene i kølesystemet med skarpe og gennemborende værktøjer. Det kølemedium, der kan komme ud, når kølemedierrørene, rørforlængelserne eller overfladebelægningen punkteres, forårsager hudirritationer og øjenskader.
- Brug ikke elektriske apparater i køleskabet/fryseren, medmindre det anbefales af fabrikanten.
- Pas på ikke at få hænder eller andre dele af din krop i klemme i de bevægelige dele inde i køleskabet. Vær opmærksom på ikke at klemme fingrene mellem døren og køleskabet. Vær forsigtig, når du åbner eller lukker døren, hvis der er børn omkring.
- Spis aldrig is, isterninger eller frosset mad lige efter at have taget dem ud af køleskabet. Der er risiko for forfrysninger.
- Når dine hænder er våde, må du ikke røre ved indvendige vægge eller metaldele i fryseren eller den mad, der er opbevaret i deri. Der er risiko for forfrysninger.
- Anbring ikke dåser eller flasker, der indeholder kulsyreholdige drikkevarer eller frysebare væsker i fryserummet. Dåser og flasker kan sprænge. Der er risiko for personskade og materiel skade!
- Anbring ikke eller brug antændelige sprayer, brandfarlige materialer, tøris, kemiske stoffer eller lignende varmefølsomme materialer i nærheden af køleskabet. Der er risiko for brand og eksplosion.
- Opbevar ikke eksplosive materialer, der indeholder antændelige materialer, f.eks. aerosoldåser, i dit produkt.
- Anbring ikke beholdere fyldt med væske på produktet. At sprøjte vand på en elektrisk del kan forårsage elektrisk stød eller risiko for brand.
- Dette produkt er ikke beregnet til opbevaring og afkøling af medicin, blodplasma, laboratoriepræparater eller lignende materialer og produkter, der er omfattet af direktivet om medicinske produkter.
- Brug af produktet imod det tilsigtede formål kan medføre, at de produkter, der er opbevaret inde i det, forringes eller ødelægges.
- Hvis dit køleskab er udstyret med blått lys, skal du ikke se på dette lys med optiske enheder. Stir ikke direkte på UV-LED-lys i lang tid. Ultraviolette stråler kan forårsage belastning af øjnene.
- Overbelast ikke produktet. Genstande i køleskabet kan falde ned, når døren åbnes, hvilket kan forårsage personskade eller anden skade. Lignende problemer

kan opstå, når et objekt placeres over produktet.

- For at undgå personskader skal du sørge for at rense al is og vand, der kan være faldet ned eller sprøjtet på gulvet.
- Skift kun placeringerne af stativerne/ flaskeholderne på døren til dit køleskab, mens stativerne er tomme. Der er risiko for personskade.
- Anbring ikke genstande, der kan falde/vælte på produktet. Disse genstande kan falde, mens du åbner eller lukker døren og kan forårsage personskade og/eller materielle skader.
- Undgå at ramme med eller udøve for stort pres på glasoverflader. Knust glas kan forårsage personskade og/eller materielle skader.
- Kølesystemet i dit produkt indeholder kølemidlet R600a. Typen af kølemiddel, der er tilgængeligt i dit produkt, er angivet på typeskiltet. Dette kølemiddel er brandfarligt. Vær derfor opmærksom på ikke at beskadige kølesystemet eller rørledningen, mens produktet er i brug. Hvis rørføringen er beskadiget:

- Rør ikke produktet eller strømkablet.

- Hold produktet væk fra potentielt åben ild, der kan forårsage, at produktet går i brand.

- Ventilér det område, hvor produktet er placeret. Brug ikke ventilatorer.

- Ring til det autoriserede serviceværksted.

- Hvis produktet er beskadiget, og du observerer kølemiddellækage, skal du holde dig væk fra kølemidlet. Kølemiddel kan forårsage forfrysninger i tilfælde af hudkontakt.

For produkter med en vanddispenser/ismaskine

- Brug kun drikkevand. Fyld ikke vandbeholderen med væsker - såsom frugtsaft, mælk, kulsyreholdige drikkevarer eller alkoholholdige drikkevarer - som ikke er egnede til brug i vanddispenseren.
- Der er risiko for brand og sikkerhed.
- Lad ikke børnene lege med vanddispenseren eller ismaskinen for at forhindre ulykker og kvæstelser.
- Indsæt ikke dine fingre eller andre genstande i vanddispenserhullet, vandkanalen eller ismaskinebeholderen. Der er risiko for personskade eller materiel skade.

1.7- Vedligeholdelses- og rengøringsikkerhed

- Træk ikke i dørhåndtaget, hvis du skal flytte produktet af hensyn til rengøringsformål. Håndtaget kan gå i stykker og forårsage kvæstelser, hvis du lægger for stor kraft på det.
- Sprøjt eller hæld ikke vand på eller inde i produktet til rengøringsformål. Der er risiko for brand og elektrisk stød!

- Brug ikke skarpe eller slibende værktøjer til at rengøre produktet. Brug ikke rengøringsmidler, rengøringsmidler, gas, benzin, fortyndere, alkohol, lak osv.
- Brug kun rengørings- og vedligeholdelsesprodukter inde i produktet, som ikke er skadelige for fødevarer.
- Brug aldrig damp- eller damp-baserede rengøringsmidler til at rengøre eller afrime produktet. Damp kommer i kontakt med de strømførende områder i dit køleskab og forårsager kortslutning eller elektrisk stød!
- Sørg for, at der ikke kommer vand ind i de elektroniske kredsløb eller belysningsselementer på produktet.
- Brug en ren, tør klud til at tørre støv eller fremmed materiale på spidserne af stikket. Brug ikke et vådt eller fugtigt stykke stof til at rengøre stikket. Der er risiko for brand og elektrisk stød!

1.8- HomeWhiz

- Når du betjener dit produkt gennem HomeWhiz-applikationen, skal du overholde sikkerhedsadvarselne, selv når du er væk fra produktet. Du skal også følge advarselne i applikationen.

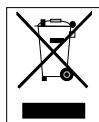
1.9- Belysning

- Ring til det autoriserede værksted, når det er nødvendigt at udskifte den LED-lampe/pære, der bruges til belysning.

2 Miljøinstruktioner

2.1 Overholdelse af WEEE-direktivet og bortskaffelse af affaldsprodukt:

Dette produkt er i overensstemmelse med EUs WEEE-direktiv (2012/19/EU). Dette produkt er forsynet med en klassificeringssymbol for affald af elektrisk og elektronisk udstyr (WEEE).



Denne markering angiver, at produktet ikke må bortskaffes sammen med andet husholdningsaffald, når det ikke længere

anvendes. Brugt udstyr skal returneres til det officielle opsamlingssted for genbrug af elektriske og elektroniske enheder. For at finde disse indsamlingssystemer skal du kontakte din lokale myndigheder eller forhandler, hvor produktet blev købt. Hver husstand spiller en vigtig rolle i genanvendelse og genbrug af gammelt apparat. Korrekt bortskaffelse af brugt apparat hjælper med at forhindre potentielle negative konsekvenser for miljøet og menneskers sundhed.

2.2 Overholdelse af RoHS-direktivet

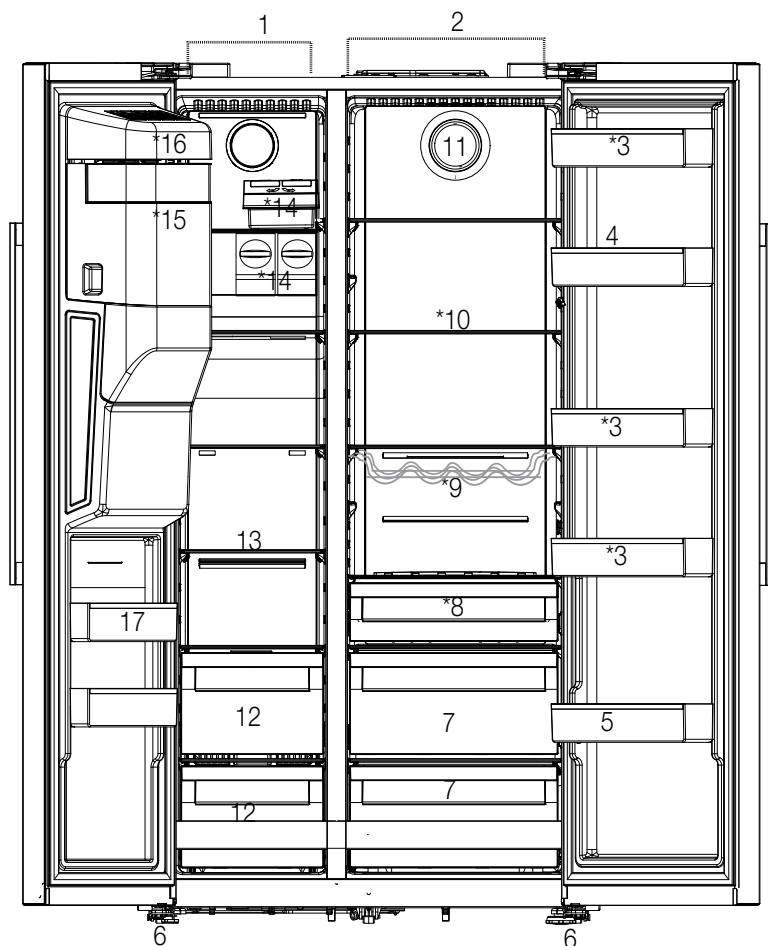
Det produkt, du har købt er i overensstemmelse med EU RoHS-direktiv (2011/65/EU). Det indeholder ikke skadelige eller forbudte stoffer, der er angivet i direktivet.

2.3 Emballageoplysninger



Produktets emballage er fremstillet af genbrugsmaterialer i overensstemmelse med vores nationale miljøbestemmelser. Bortskaf ikke emballagen sammen med husholdningsaffald eller andet affald. Indlever emballagen på de indsamlingssteder, der udpeges af de lokale myndigheder.

3 Dit køleskab



- | | |
|---|------------------------------------|
| 1. Fryserum | 10. Glashylder |
| 2. Kølerum | 11. Blæser |
| 3. Dørhylder til kølerum | 12. Opbevaringsrum til frossen mad |
| 4. Ægholder | 13. Glashylder til fryserum |
| 5. Flaskehylde | 14. Icematic |
| 6. Justerbare stativer | 15. Isboks |
| 7. Skuffer | 16. Ismaskine dekorativt dæksel |
| 8. Hylde til mejerivarer (køleopbevaring) | 17. Dørhylder til fryserum |
| 9. Flaskehylde | |



***Tilvalg:** Tallene i denne brugervejledning er udelukkende vejledende og passer muligvis ikke perfekt til dit produkt. Hvis dit produkt ikke inkluderer de relevante dele, gælder oplysningerne for andre modeller.

4 Installation

4.1 Korrekt monteringssted



Læs først afsnittet
"Sikkerhedsinstruktioner"!

Dit produkt kræver tilstrækkelig luftcirkulation for at fungere effektivt. Hvis produktet anbringes i en alkove, skal du huske at have mindst 5 cm fri plads mellem produktet og loftet, bagvæggen og sidevæggene.

Hvis produktet anbringes i en alkove, skal du huske at have mindst 5 cm fri plads mellem produktet og loftet, bagvæggen og sidevæggene. Kontroller, om beskyttelseskomponenten til bagvæggen er til stede på dets placering (hvis den leveres sammen med produktet). Hvis komponenten ikke er tilgængelig, eller hvis den er mistet eller tabt, skal du placere produktet, så der er mindst 5 cm fri plads mellem overfladen af bagsiden på produktet og rummets vægge. Den frie højde på bagsiden er vigtig for effektiv drift af produktet.



ADVARSEL: Brug ikke forlænger eller stikdåser ved strømtilslutningen.



ADVARSEL: Producenten påtager sig intet ansvar for skader forårsaget af arbejde udført af uautoriserede personer.



ADVARSEL: Produktets strømkabel skal frakobles under montering. Manglende overholdelse af disse advarsler kan resultere i død og alvorlige kvæstelser.



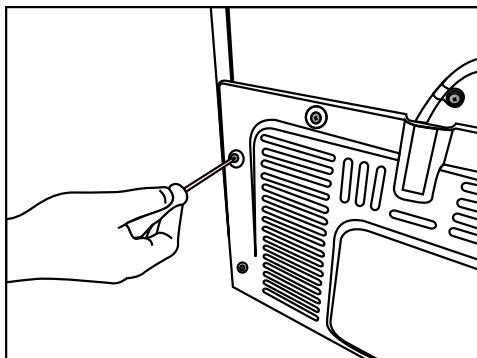
ADVARSEL: Hvis dørspændet er for smalt til, at produktet kan passere, skal du fjerne døren og dreje produktet sidelæns. Hvis dette ikke virker, skal du kontakte den autoriserede service.

- Anbring produktet på en plan overflade for at undgå vibrationer.
- Anbring produktet mindst 30 cm væk fra varmelegeme, komfur og lignende varmekilder og mindst 5 cm væk fra elovne.
- Udsæt ikke produktet for direkte sollys.
- Dette produkt kræver tilstrækkelig luftcirkulation for at fungere effektivt. Hvis produktet anbringes i en alkove, skal du huske at have mindst 5 cm fri plads mellem produktet og loftet og væggene.

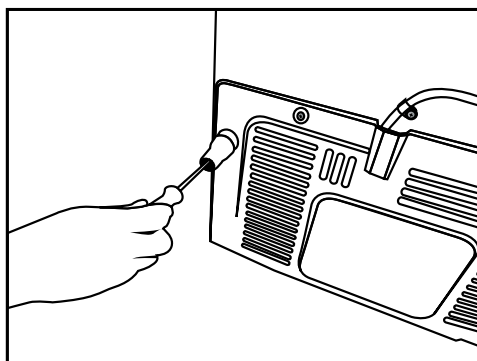
4.2 Montering af plastkiler

Brug plastkiler i det medfølgende produkt for at give tilstrækkelig plads til luftcirkulation mellem produktet og væggen.

- For at fastgøre kilerne skal du fjerne produktets skruer og bruge de skruer, der følger med kilerne.

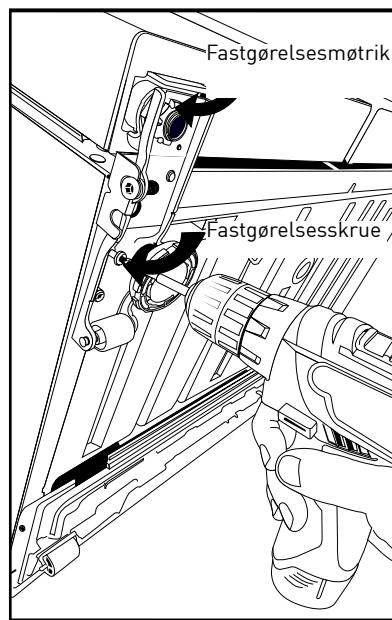
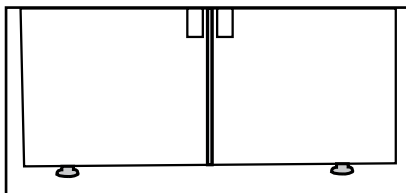


- Fastgør 2 plastkiler på ventilationsdækslet som vist på figuren.



4.3 Justering af fødderne

Hvis produktet ikke står i en afbalanceret position, skal du justere de forreste justerbare stativer ved at dreje til højre eller venstre.

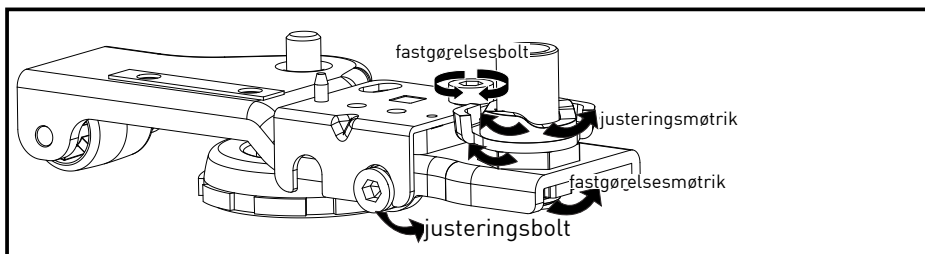


For at justere dørene lodret,

- Løsn fastgørelsesmøtrikken i bunden
- Skru justeringsmøtrik (CW/CCW) i henhold til dørens position
- Spænd fastgørelsesmøtrikken på den endelige position

For at justere dørene vandret,

- Løsn fastgørelsesmøtrikken i bunden
- Løsn fastgørelsesbolten øverst
- Skru justeringsbolten (CW/CCW) på siden i henhold til dørens position
- Spænd fastgørelsesbolten til den endelige position
- Løsn fastgørelsesskruen i bunden



4.4 Eltilslutning



ADVARSEL: Brug ikke forlænger eller stikdåser ved strømtilslutningen.



ADVARSEL: Beskadiget strømkabel skal udskiftes af et autoriseret serviceværksted.

- Vores firma påtager sig ikke ansvar for skader, der skyldes brug uden jordforbindelse og strømtilslutning i overensstemmelse med nationale regler.
- Strømkabelstikket skal være let tilgængeligt efter installationen.



Advarsel om varme overflader!
Sidevæggene på dit produkt er udstyret med kølerør for at forbedre kølesystemet. Højtryksvæske kan strømme gennem disse overflader og forårsage varme overflader på sidevæggene. Dette er normalt og kræver ikke service. Vær forsigtig, når du kontakter disse områder.

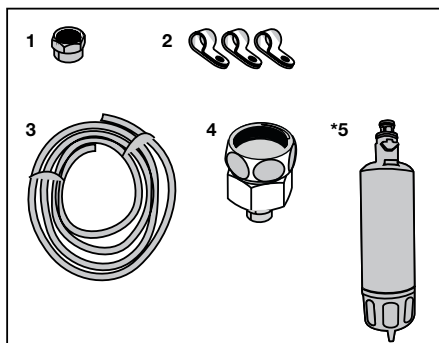
4.5 Vandtilslutning

(Ekstraudstyr)



ADVARSEL: Frakobl produktet og vandpumpen (hvis den findes) under tilslutning.

Produktets vandrør, filter- og tanktilslutninger skal udføres af en autoriseret installatør. Produktet kan tilsluttes til en tank eller direkte til vandhanen, afhængigt af modellen. For at etablere forbindelsen, skal vandslangen først tilsluttes til produktet. Kontroller for at se om følgende dele er leveret med din produktmodel:



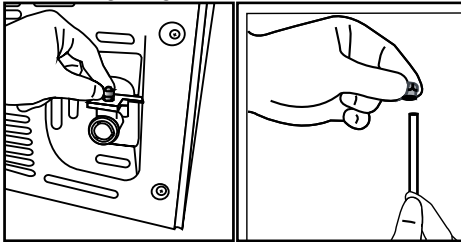
1. Forbindelsesled (1 stk.) Bruges til at tilslutte vandslangen til bagsiden af produktet.
2. Slangeclips (3 stk.): Bruges til at fastgøre vandslangen til væggen.
3. Vandslange (1 stk. 5 meter diameter 1/4 tomme): Bruges til vandforbindelsen.
4. Vandhaneadapter (1 stk.): Inkluderer et porøst filter, bruges til tilslutning til den kolde vandhane.

5. Vandfilter (1 stk.*Ekstraudstyr):
Bruges til at tilslutte vandrøret til produktet. Vandfilteret er ikke påkrævet hvis tanktilslutningen er tilgængelig.

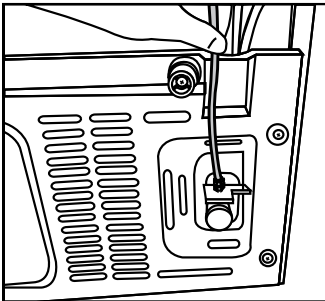
4.6 Tilslut vandslangen til produktet

For at tilslutte vandslangen til produktet, skal du følge nedenstående instruktioner.

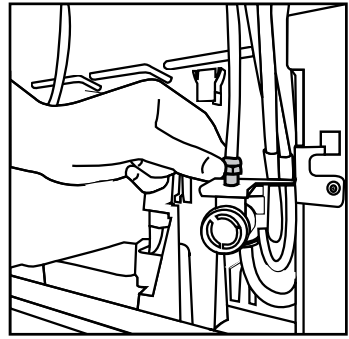
1. Fjern konnektoren slangedyseadap-
tteren bag på produktet of sæt
slangen gennem konnektoren.



2. Tryk vandslangen ned med et fast tryk og tilslut til slangedyseadap-
teren.



3. Stram konnektoren manuelt for at fastgøre den på slangedyseadap-
toren. Du kan også stramme konnektoren med en rørtang el-
ler tang.



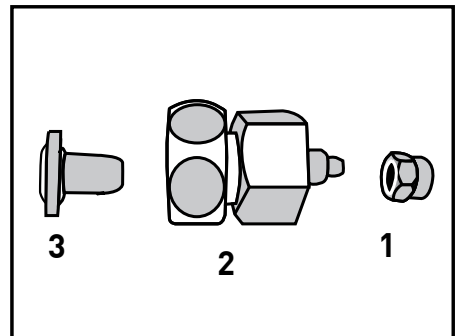
4. Tilslut den anden ende af slan-
gen til vandforsyningen (Se
afsnit 4.7) eller, for at bruge
tanken, til vandpumpen (Se
afsnit 4.8).

4.7 Tilslutning til vand- forsyningen

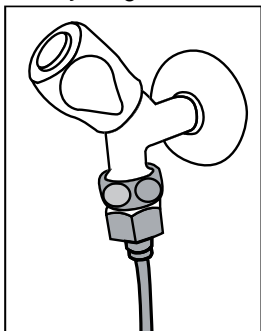
(Ekstraudstyr)

For at bruge produktet ved at til-
slutte til koldtvandsforsyningen,
skal en standard 1/2" ventilkon-
nektor installeres til koldtvands-
forsyningen i dit hjem. Hvis kon-
nektoren ikke er tilgængelig, eller
hvis du er usikker, så kontakt en
autoriseret blikkenslager.

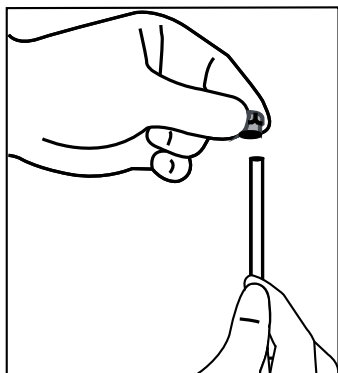
1. Frakobl konnektoren (1) fra
vandhaneadaptoren (2).



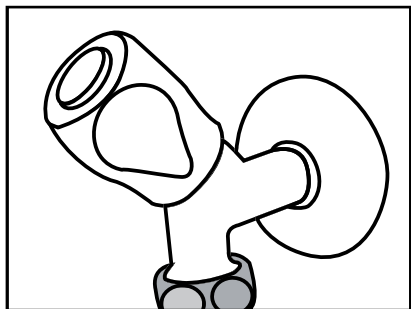
1. Tilslut vandhaneadaptoren til vandforsyningsventilen.



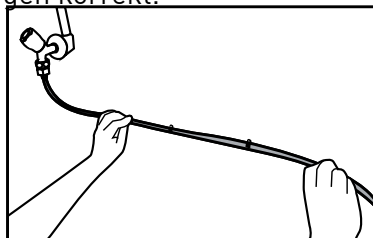
2. Fastgør konnektoren rundt om vandslangen.



3. Tilslut konnektoren i vandhaneadaptoren og stram med hånd/værktøj.



4. For at undgå beskadigelse, forskydning eller tilfældig frakobling af slangen, skal du bruge clipsen til at fastgøre vandslangen korrekt.



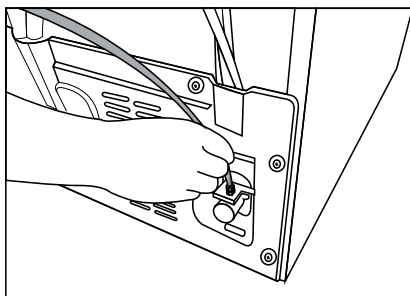
ADVARSEL: Efter at have tændt for vandhanen, skal du sikre at der ikke er vandlækage i den ene ende af vandslangen. I tilfælde af lækage, sluk for ventilen og stram alle forbindelser med en rørtang eller en tang.

4.8. For produkter der bruger vandtank

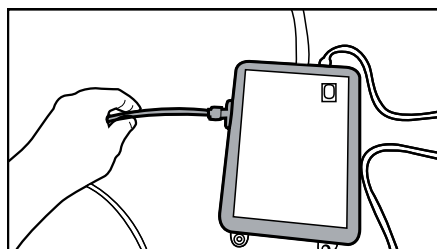
(Ekstraudstyr)

For at bruge en tank til produktets vandforsyning, skal du bruge den vandpumpe, der anbefales af den autoriserede service.

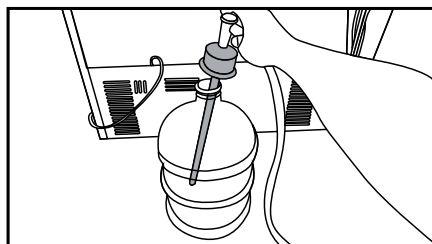
1. Tilslut den ene ende af vandslangen, der leveres med pumpen (se 4.6) og følg nedenstående instruktioner.






1. Tilslut den anden ende af vandslangen til vandpumpen ved at trykke slangen ind i pumpens slangeindgang.



2. Placer og fastgør pumpeslangen inde i tanken.



3. Når forbindelsen er etableret, så tilslut og start vandpumpen.

	Vent 2-3 minutter efter start af pumpen for at opnå den ønskede effektivitet.
	Se også pumpens brugervejledning for vandforbindelsen.
	Når du bruger vandtanken, er vandfilter ikke påkrævet.

4.9 Vandfilter

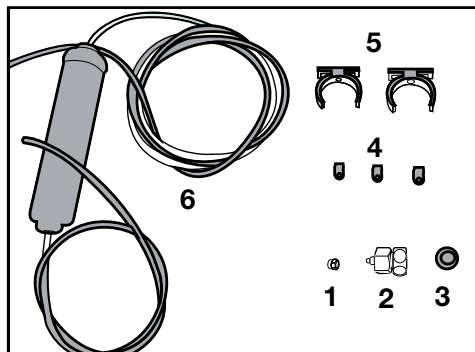
(Ekstraudstyr)

Produktet kan have internt eller eksternt filter, afhængigt af modellen. For at installere vandfilteret, følges instruktionerne nedenfor:

4.9.1. Fastgørelse af eksternt filter på væggen (Ekstraudstyr)



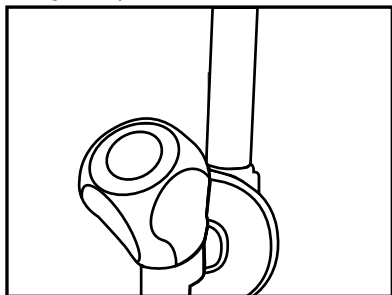
ADVARSEL: Fastgør ikke filteret til produktet.



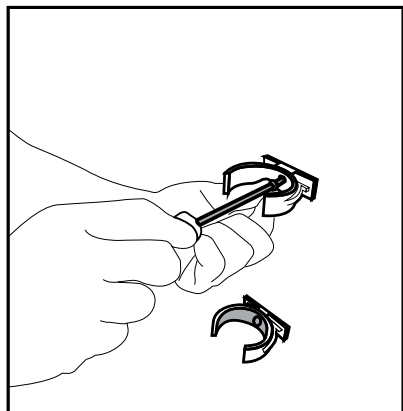
Kontroller for at se om følgende dele er leveret med din produktmodel:

1. Forbindelsesled (1 stk.): Bruges til at tilslutte vandslangen til bagsiden af produktet.
 2. Vandhaneadapter (1 stk.): Bruges til tilslutning til den kolde vandhane.
 3. Porøst filter (1 stk.)
 4. Slangeclips (3 stk.): Bruges til at fastgøre vandslangen til væggen.
 5. Filtertilslutning til apparatet (2 stk.): Bruges til at fastgøre filteret på væggen.
 6. Vandfilter (1 stk.): Bruges til at tilslutte produktet til vandforsyningen. Vandfilter er unødvendigt, når man bruger tanktilslutning.
1. Tilslut vandhaneadaptoren til vandforsyningsventilen.
 2. Bestem placeringen for at fastgøre det eksterne filter. Fastgør filterets tilslutningsapparat (5) på væggen.

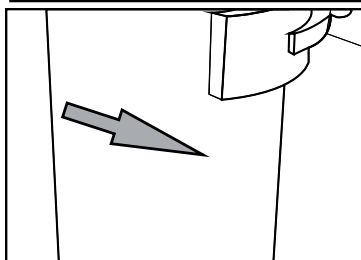
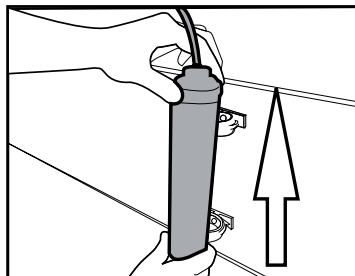
1. Fastgør filteret i opret position på filtertilslutningsapparatet, som angivet på mærkaten. (6)



2. Tilslut vandslangeforlænger fra toppen af filteret til produktets vandtilslutningsadapter, (se 4.6.)

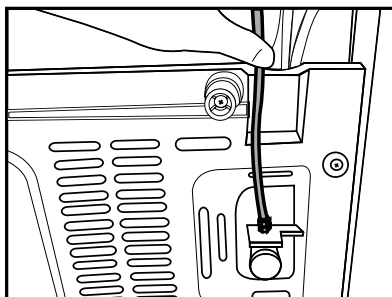


Efter at tilslutningen er etableret, skal de se ud som på nedenstående figur.

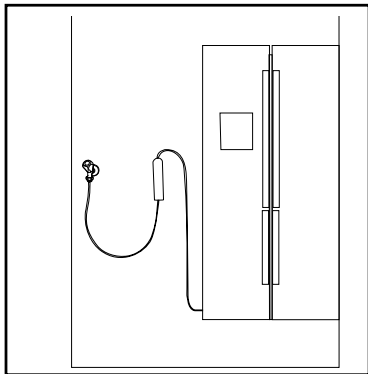


4.9.2. Internt filter

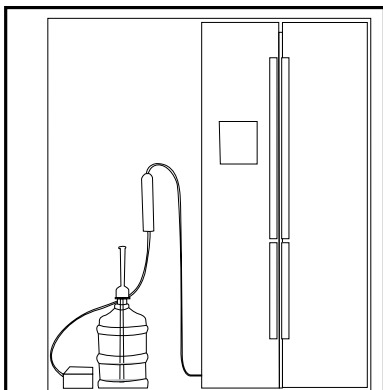
Det interne filter, der følger med produktet er ikke installeret ved leveringen, følg venligst nedenstående instruktion for at installere filteret.



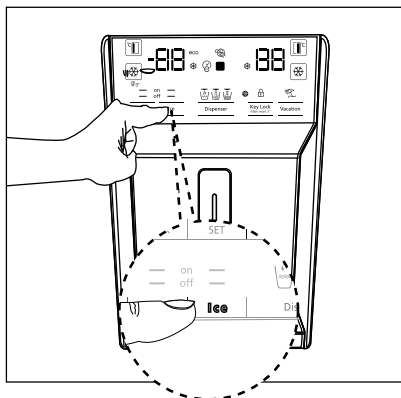
Vandrør:



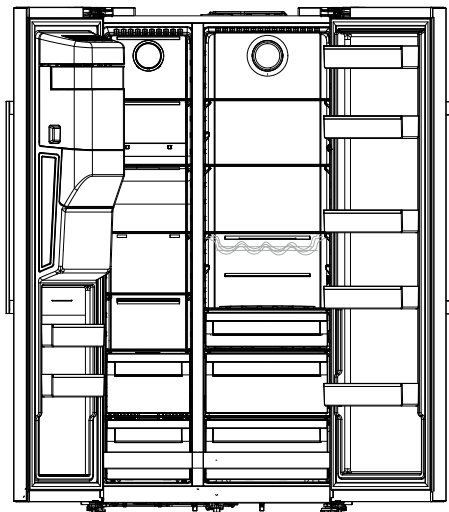
Tankrør:



1. "Ice Off"-indikator skal være aktiv under installation af filteret. Skift **ON-OFF**-indikatoren ved brug af knappen "Ice" på skærmen.



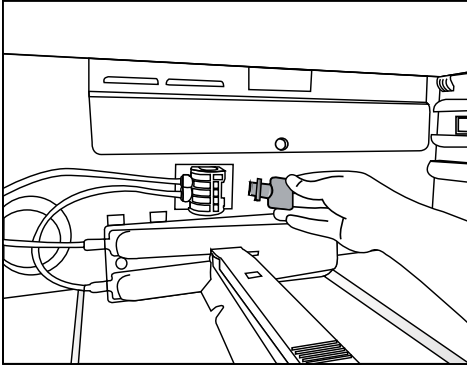
2. Fjern grøntsagskurven for at få adgang til vandfilteret. Fjern vand-gennemgangsfilteret ved at trække i det.





Der kan flyde nogle få dråber vand ud efter fjernelse af dækslet, dette er normalt.

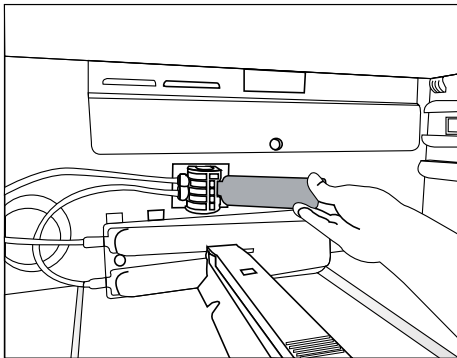
1. Placer dækslet til vandfilteret ind i mekanismen og skub for at låse det på plads.



2. Tryk på knappen **“Ice”** på skærmen igen for at annullere **“Ice Off”-tilstanden**.



Vandfilteret vil rense visse fremmede partikler i vandet. Det vil ikke fjerne mikroorganismerne i vandet.



5 Forberedelse



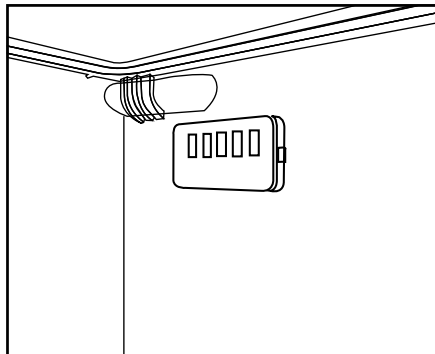
Læs først afsnittet
"Sikkerhedsinstruktioner"!

5.1 Sådan opnås energibesparelser



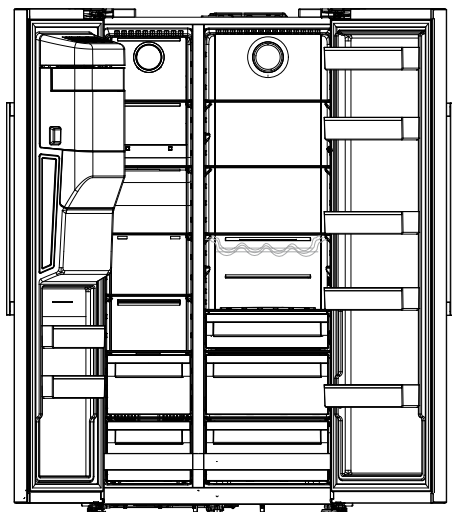
Tilslutning af produktet
til elektroniske
energibesparende systemer
frarådes, da det kan
beskadige produktet.

- Køleskabsdørene må ikke holdes åbne i længere perioder.
- Anbring ikke varm mad eller drikke i køleskabet.
- Overfyld ikke køleskabet. Hvis den indvendige luftstrøm blokeres, vil det reducere kølekapacitet.
- Afhængig af produktets egenskaber. Afrimning af frosne fødevarer i kølerummet sikrer energibesparelse og bevarer madkvaliteten.
- Mad skal opbevares ved hjælp af skufferne i kølerummet for at sikre energibesparelse og beskytte mad under bedre forhold.
- Sørg for, at fødevarerne ikke er i kontakt med kølerums temperaturføler beskrevet nedenfor.
- Da varm og fugtig luft ikke vil trænge direkte ind i dit produkt, når dørene ikke åbnes, optimerer dit produkt sig selv under tilstrækkelige forhold til at beskytte din mad. I denne energibesparende funktion fungerer funktioner og komponenter såsom kompressor, ventilator, varmelegeme, afrimning, belysning, display og så videre i overensstemmelse med behovene for at forbruge et minimum af energi og samtidig opretholde friskheden af dit mad.



5 Forberedelse

- I tilfælde af flere muligheder findes der glashylder, så luftudtagene på bagvæggen ikke blokeres, fortrinsvis forbliver luftudtagene under glashylden. Denne kombination kan hjælpe med at forhindre luftfordeling og energieffektivitet.



Der høres en biplyd, når kompressoren er i gang. Det er normalt at høre lyde, selv når kompressoren er inaktiv, på grund af de komprimerede væsker og gasser i kølesystemet.



Det er normalt, at køleskabets forkanter er varme. Disse områder er udviklet til at blive varmet op for at undgå dannelse af kondens.



På nogle modeller slukkes indikatorpanelet automatisk 1 minut efter at døren lukkes. Det genaktiveres, når døren åbnes, eller der trykkes på en vilkårlig knap.

5.2 Førstegangsbrug

Før du bruger dit køleskab, skal du sørge for, at de nødvendige forberedelser er udført i overensstemmelse med instruktionerne i afsnittene "Sikkerheds- og miljøanvisninger" og "Montering".

- Hold produktet tændt uden fødevarer indvendigt i 12 timer og undlad at åbne døren, med mindre det er absolut nødvendigt.

6 Betjening af produktet

6.1 Sæt programmet på pause



Læs først afsnittet
"Sikkerhedsinstruktioner"!

- Brug ikke mekanisk værktøj eller andet værktøj end producentens anbefalinger til at fremskynde optøningen.
- Brug ikke i dit køleskab, såsom døren, som et middel til støtte eller som et trin. Dette kan få produktet til at vælte eller dets komponenter bliver beskadiget.
- Dette produkt må kun bruges til opbevaring af fødevarer.
- Sluk for vandventilen, hvis du er væk hjemmefra (f.eks. på ferie), og du ikke bruger Ismaskinen eller vanddispenseren i lang tid. Ellers kan der forekomme vandlækager.
- Hvis du ikke skal bruge produktet i lang tid;
 - - tag stikket ud,
 - - fjern maden for at forhindre lugt.
 - - vent indtil isen er optøet,
 - - rengør indersiden og vent, indtil den er tørret.
 - - Lad dørene være åbne for at forhindre beskadigelse af det indre plastkarrosseri.

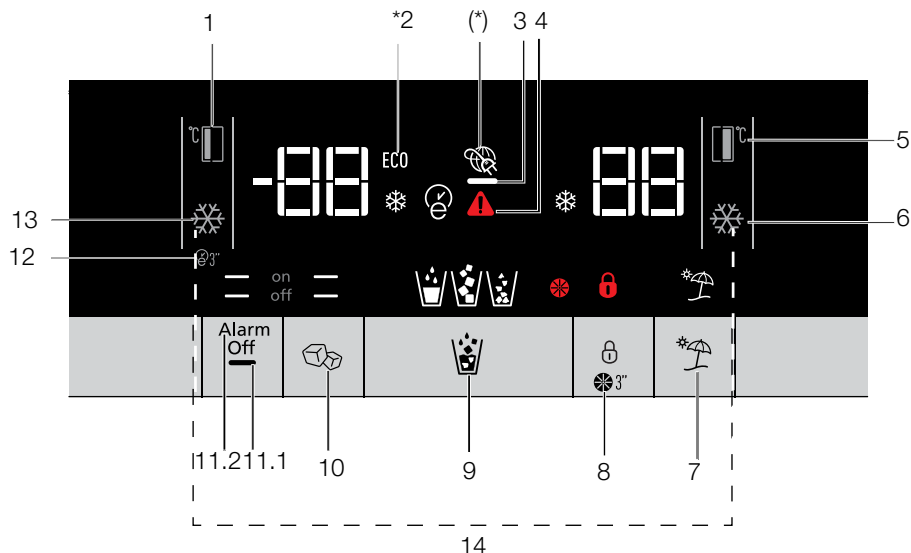
6 Betjening af produktet

Læs først afsnittet "Sikkerhedsinstruktioner"!

6.2 Instrumentpanel

Indikatorpaneler kan variere afhængigt af produktmodellen.

Indikatorpanelets auditive og visuelle funktioner er en hjælp til at bruge køleskabet.



1. Temperaturindstilling i fryser
2. Økonomimodus
3. Energibesparende funktion (skærmen slukket)
4. Advarselsindikator for strømudfald/høj temperatur/fejl
5. Temperaturindstilling i køleskab
6. Hurtig nedkøling
7. Feriefunktion
8. Tastaturlås / filtererstatning alarmannulering
9. Valg af vand, fragmenteret is, isterninger
10. Isproduktion tændt/slukket
11. Skærm tændt/slukket /Alarm fra advarsel
12. Auto-øko
13. Hurtig nedfrysning
14. Konvertering Celcius/Fahrenheit

Er muligvis ikke tilgængelig i alle modeller



***Ekstraudstyr:** Figurerne i denne brugervejledning er skematiske og matcher muligvis ikke præcist dit produkt. Hvis dit produkt ikke omfatter de relevante dele, gælder oplysningerne for andre modeller.

1. Temperaturindstilling i fryser

At trykke på knappen (°C) vil gøre det muligt at indstille fryserens temperatur på -18, -19, -20, -21, -22, -23, -24, -18...

2. Økonomisk tilstand

Angiver, at køleskabet kører på energibesparende tilstand. Denne indikator aktiveres, når fryserummets temperatur er indstillet til -18 eller når energibesparende nedkøling er aktiveret gennem øko-ekstra funktion. (ECO)

3. Energibesparende funktion (skærmen slukket)

Hvis fryserens dør holdes lukket i længere tid, aktiveres energibesparende funktion automatisk, og symbolet for energibesparelse lyser. Når energibesparende funktion er aktiveret, vil alle andre symboler end symbol for energibesparelse på displayet blive slukket. Når energibesparende funktion er aktiveret og der trykkes på en vilkårlig tast eller åbnes døren, vil funktionen blive deaktiveret og ikonet på displayet vil vende tilbage til normal tilstand. Energibesparende funktion er aktiveret under levering fra fabrikken og kan ikke annulleres.

4. Indikator for strømudfald/høj temperatur/advarsel om fejl

Denne indikator (⚠) lyser i tilfælde af temperaturfejl eller fejlalarmer. Denne indikator tændes ved strømudfald, høj temperatur og fejladvarsler. Under vedvarende strømudfald vil den højeste temperatur, fryseren

når, blinke på displayet. Efter at have kontrolleret madvarer placeret i fryseren, skal du trykke på alarm-knappen for at nulstille advarslens.

5. Temperaturindstilling i køleskab

Efter at have trykket på knappen (°C) kan køleskabets temperatur sættes til 8, 7, 6, 5, 4, 3, 2... hhv. (°C)

6. Hurtig nedkøling

For hurtig nedkøling, tryk på knappen; dette vil aktivere indikatoren for hurtig nedkøling (❄).

Tryk på knappen igen for at slå denne funktion fra.

Brug denne funktion, når du placerer friske fødevarer ind i køleskabet eller til hurtigt at nedkøle fødevarer. Når denne funktion aktiveres, vil køleskabet arbejde i 1 time.

7. Feriefunktion

Når feriefunktionen er aktiv (🌴), viser indikatoren for køleskabets temperatur indskriften "- -" og ingen køleproces vil være aktiv i køleskabet. Denne funktion er ikke egnet til opbevaring af mad i køleskabet. Andre rum vil forblive afkølet med den respektive indstillede temperatur for hvert rum.

For at annullere denne funktion skal du trykke på feriefunktion knappen igen. (🌴)

8. Tastaturlås / filtererstatning alarmannullering

Tryk på tastaturlås-knappen (🔒) for at aktivere tastaturlås. Du kan også bruge denne funktion til at

forhindre at ændre køleskabets temperaturindstillinger. Køleskabets filter skal udskiftes hver 6. måned. Tryk og hold (☼) -knappen i 3 sekunder for at slukke filteralarmlyset.

9. Valg af vand, fragmenteret is, isterninger

Naviger valget af vand (☺), isterninger (☹) og fragmenteret is (☻) med knap nummer 8. Den aktive indikator vil forblive tændt.

10. Isproduktion tændt/slukket

Tryk på knappen (☹) for at annullere (off —) eller aktivere (on —) isproduktion.

11.1 Skærm tændt/slukket

Tryk på knappen (— off) for at annullere (XX) eller aktivere (— on) skærm tændt/slukket.

11.2 Alarm fra advarsel

I tilfælde af strømudfald/høj temperatur-alarm, efter at have kontrolleret madvarer placeret i fryseren, skal du trykke på alarm-knappen for at nulstille advarslen.

12. Auto-øko

Tryk på auto-øko-knappen (☺) i 3 sekunder for at aktivere denne funktion. Hvis lågen holdes lukket i lang tid, når denne funktion er aktiveret, vil kølesektionen skifte over til økonomisk tilstand. Tryk på knappen igen for at slå denne funktion fra.

Indikatoren lyser op efter 6 timer, når auto-øko-funktionen er aktiv. (☺)

13. Hurtig nedfrysning

For hurtig frysning skal du trykke på knappen. Dette vil aktivere hurtigfryserindikatoren (☼). Når den hurtige frysefunktion er tændt, vil hurtigfrysindikatoren tændes og fryser- rummets temperaturindikator viser Værdien -27 Tryk på knappen Hurtigfrysning (☼) igen for at annullere denne funktion. Hurtigfrysningens indikatoren slukkes og skifter tilbage til normal indstilling. Den hurtige frysefunktion vil automatisk blive annulleret efter 24 timer, medmindre den annulleres af brugeren. For at fryse en stor mængde friske fødevarer, skal du trykke på knappen for hurtig frysning, før fødevarerne anbringes i fryseren.

14. Konvertering Celcius/ Fahrenheit

Temperaturværdier kan konverteres mellem Celcius og Fahrenheit ved at trykke på hurtigfrystasten (☼) og hurtigkøltasten (☼) i 3 sekunder.

6.3 Deodoriseringsmodul

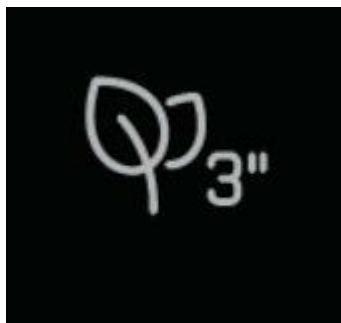
(OdourFresh +)

***Er muligvis ikke tilgængelig i alle modeller**

Deodoriseringsmodulet fjerner hurtigt de dårlige lugte i dit køleskab, før de gennemsyrrer overfladerne. Takket være dette modul, der er placeret i loftet i det friske madrum, opløses den dårlige lugt, mens luften aktivt ledes over lugtfilteret, og derefter udsendes den luft, der er rensset af filteret, til den rummet til frisk mad. På denne måde elimineres den uønskede lugt, der kan opstå under opbevaring af mad i køleskabet, før de trænger igennem overfladerne.

Dette opnås takket være blæser, LED og lugtfilter integreret i modulet.

Når du vil bruge deodoriseringsmodulet, skal du aktivere det fra indikatorknappen.



6.4 Fugtighedsstyret skuffe (FreSHelf)

(Denne funktion er ekstraudstyr)

Takket være den fugtighedsstyrede skuffe kan grøntsager og frugter opbevares i længere tid i et miljø med ideelle fugtighedsforhold. Med fugtighedsindstillingssystemet med 3 muligheder forrest på din skuffe kan du kontrollere fugtigheden inde i rummet i forhold til den mad, du opbevarer. Vi anbefaler, at du gemmer din mad ved at vælge vegetabilsk, når du kun opbevarer grøntsager, frugtindstilling, når du kun gemmer frugt, og blandet mulighed, når du gemmer blandet mad. Vi anbefaler, at grøntsagerne og frugterne ikke opbevares i poser for at forbedre madens opbevaringsperiode og for at få bedre fordel af fugtighedsreguleringssystemet. Opbevaring af dem i plastikposer får grøntsager til at rådne på kort tid. Vi anbefaler, at især agurker og broccoli ikke opbevares i lukkede poser. I situationer, hvor kontakt med andre grøntsager ikke foretrækkes, skal du bruge emballagematerialer såsom papir, der har en vis grad af porøsitet med hensyn til hygiejne.

Når du placerer grøntsagerne, skal du placere tunge og hårde grøntsager i bunden og lette og bløde på toppen under hensyntagen til den specifikke vægt af grøntsager.

Læg ikke frugter, der har en høj ethylengasproduktion som pære, abrikos, fersken og især æble, i samme skuffe som andre grøntsager og frugter. Ethylengassen, der kommer ud af disse frugter, kan få andre grøntsager og frugter til at modnes hurtigere og rådne på kortere tid.

6.5 Vitamin Care-teknologi

***Er muligvis ikke tilgængelig i alle modeller**

Om det blå lys,

Frugt og grønsager, der er opbevaret i skufferne, der er oplyst med et blått lys, fortsætter deres fotosyntese ved hjælp af bølglængdeeffekten af blått lys og bevarer således deres C-vitaminindhold.

Til VitaminCare+,

Frugt og grønsager opbevaret i skuffer belyst med VitaminCare+ teknologien bevarer deres A- og C-vitaminer i længere tid takket være det blå, grønne, røde lys og mørke cyklusser, der simulerer en dagscyklus.

Med denne teknologi kan du holde dine frugter og grøntsager velsmagende og sunde længere, hvilket hjælper dig med at minimere madspild derhjemme.

Hvis du åbner døren til køleskabet i den mørke periode af VitaminCare+ teknologien, vil køleskabet automatisk registrere dette og gøre det muligt for det blå-grønne eller røde lys at oplyse skuffen. Når du har lukket døren til køleskabet, fortsætter den mørke periode, hvilket repræsenterer natperioden i en dagscyklus.

6.6 Brug af vandfontæne

(Denne funktion er ekstraudstyr)



De første par glas vand taget fra vandfontænen vil normalt være varme.

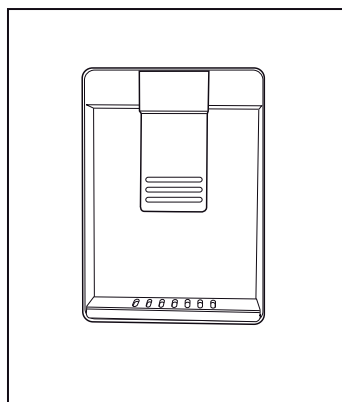


Hvis vandfontænen ikke har været brugt i lang tid, skal du bortskaffe de første par glas vand for at få rent vand.

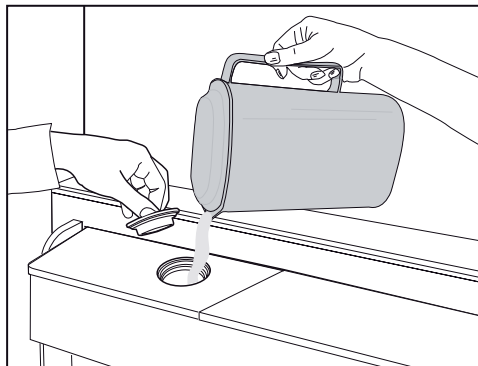
- 1- Skub armen på vandfontænen med dit glas. Det vil være lettere at skubbe armen med hånden, hvis du bruger et blødt plastglas.
- 2- Slip armen, når du har fyldt dit glas med vand, som du ønsker det.

6.7 Påfyldning af vandfontænen vandtank

Åbn låget på vandtanken som vist på figuren. Påfyld ægte og rent drikkevand. Luk dækslet.

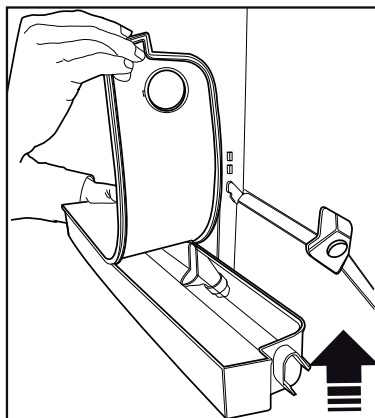
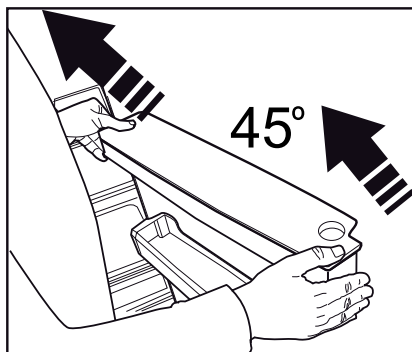
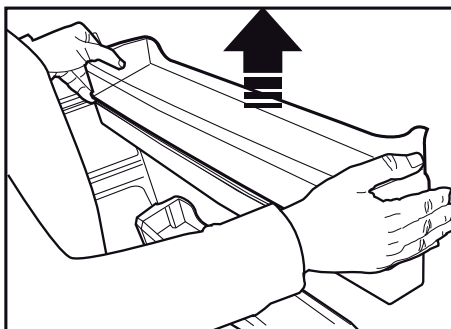


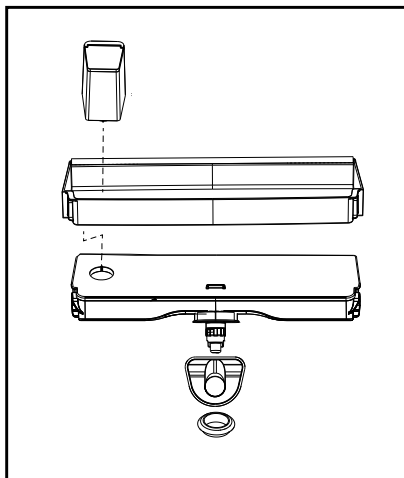
2. Slip armen, når du har fyldt dit glas med vand, som du ønsker det.



6.8 Påfyldning af vandfontænenes vandtank

Åbn låget på vandtanken som vist på figuren. Påfyld ægte og rent drikkevand. Luk dækslet.






6.9 Tømning af vandbeholderen


Fjern vandpåfyldningsbeholderen inde i dørhylden.

Løsn ved at holde begge sider af dørhylden.

Hold begge sider af vandtanken, og fjern den i 45° vinkel.

Fjern og rengør dækslet til vandtanken.

 Komponenterne til vandtanken og vandfontænekomponenterne kan ikke vaskes i opvaskemaskine.

 Komponenter i vandtanken og vandbeholderen bør ikke vaskes i opvaskemaskinen.

6.10 Kurv til mejerivarer (køleopbevaring)

***Er muligvis ikke tilgængelig i alle modeller**

“Kurv til mejerivarer (køleopbevaring)” giver lavere temperatur inde i køleskabet. Brug denne kurv til opbevaring af delikatesser (salami, pølser, mejeriprodukter osv.), som kræver lavere opbevaringstemperatur eller kød, kylling eller fisk til øjeblikkeligt forbrug. Opbevar ikke frugt og grøntsager i dette rum.


6.11 Skuffe

Køleskabets grøntsagsbeholder er designet til at holde skuffen frisk ved at bevare fugtigheden. Til dette formål intensiveres den samlede kolde luftcirkulation i den skuffens kurv. Opbevar frugt og grøntsager i dette rum. Hold de grønbladede skuffer og frugter separat for at forlænge deres levetid.

6.12 Ionisator

(Denne funktion er ekstraudstyr)

Ionisatorsystemet i kølerummets luftkanal tjener til at ionisere luften. De negative ionudledninger fjerner bakterier og andre molekyler, der forårsager lugt i luften.

 Fyld ikke vandbeholderen med frugtjuice, kulsyreholdige drikkevarer, alkoholholdige drikkevarer eller andre væsker, der er uforenelige med brug i en vandbeholder. Brug af sådanne væsker vil medføre funktionsfejl og uoprettelig skade på vandfontænen. Brug af vandfontænen på denne måde ligger ikke inden for garantiens område. Sådanne visse kemikalier og tilsætningsstoffer i drikkevarer/væsker kan forårsage materiel skade på vandtanken.

6.13 Pumpefilter

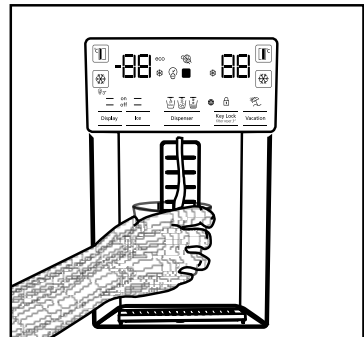
(Denne funktion er ekstraudstyr)

Lugtfileret i kølerummets luftkanal forhindrer uønsket lugtdannelse.

6.14 Udtagning af is/vand

(Ekstraudstyr)

For at tage vand ud (☺) / isterninger (☹) / knust is (☹/), brug displayet til at vælge den respektive mulighed. Tag vand/is ved at trykke på triggeren på vandfontænen fremad. Når man skifter mellem isterninger (☹) / knust is (☹/) kan den foregående istype komme ud nogle få gange.



- Du må vente ca. 12 timer før du kan tage is fra is / vand-fontænen første gang. Fontænen vil måske ikke levere is, hvis der er for lidt is i is-boksen.
- De første 30 isterninger (3 - 4 liter), der udtages efter den første brug, bør ikke anvendes
- I tilfælde af strømafbrydelse eller midlertidig fejlfunktion, kan isen delvis smelte og fryses igen. Dette vil forårsage at isstykkerne sætter sig sammen. I tilfælde af længere strømafbrydelser eller fejlfunktion, kan isen smelte og lække. Hvis du oplever dette problem, skal du fjerne isen i isboksen og rengøre boksen.



ADVARSEL:

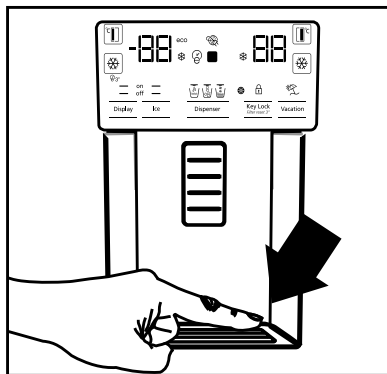
Produktets vandsystem må kun tilsluttes koldt vandsrør. Tilslut ikke varmt vand.

- Måske vil produktet ikke levere vand, når det tændes første gang. Dette skyldes luft i systemet. Luft i systemet skal ud. For at gøre det, skub udløseren i vandfontænen i 1 - 2 minutter indtil fontænen leverer vand. Den første vandstrøm kan være uregelmæssig. Vandet vil strømme normalt, når luften i systemet er kommet ud.
- Vandet kan være uklart under første brug af filteret, indtag ikke de første 10 glas vand.
- Du skal vente ca. 12 timer for at få koldt vand efter den første installation.
- Produktets vandsystem er kun designet til rent vand. Brug ikke andre drikke.
- Det anbefales at afbryde vandforsyningen hvis produktet ikke skal bruges i lang tid under ferie og lign.
- Hvis vandfontænen ikke har været brugt i lang tid, kan de første par glas være varme.

6.15 Drypbakke

(Ekstraudstyr)

Vandet, der drypper fra vandfontænen samles i vandbakken. Der er ikke noget vandafløb. Træk drypbakken ud eller skub kanterne for at fjerne bakken. Du kan derefter hælde vandet i bakken ud.



6.16 Ismaskine

(Ekstraudstyr)

Ismaskinen findes i det øverste afsnit af fryserdækslet.

Hold håndtagene på siderne af isreservoiret og flyt det opad for at fjerne det.

Fjern det dekorative ismaskinedækselet ved at flytte det opad.

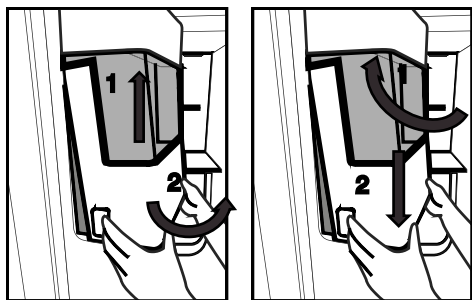
BRUG

For at fjerne isreservoiret

Hold isreservoiret i håndtagene, flyt det derefter op og træk isreservoiret ud. (Figur 1)

For at geninstallere isreservoiret

Hold isreservoiret i håndtagene, flyt det opad i en vinkel der passer til siderne af reservoiret til deres åbninger og sørg for at is-valgspinden er monteret korrekt. (Figur 2)



Tryk hårdt nedad, indtil der ikke er mere plads mellem reservoiret og pladen på døren. (Figur 2)

Hvis du har svært ved at sætte reservoiret på plads igen, skal du dreje drejeknappen 90° og geninstallere den som vist på figur 3.

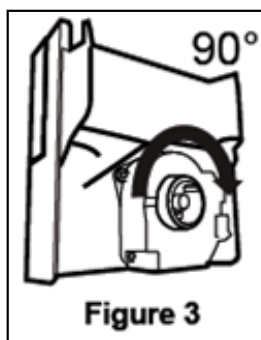


Figure 3

Enhver lyd, du hører, når isen falder ned i reservoiret er en del af den normale drift.

Når isdispenseren ikke virker korrekt

Hvis du ikke fjerner isterninger i lang tid, vil de forårsage dannelse af isklumper. I dette tilfælde, fjernes isreservoiret i henhold til ovenstående instruktioner, adskil isklumperne, fjern den is, der ikke kan adskilles og læg isterningerne tilbage i isreservoiret. (Figur 4)



Figure 4

Når der ikke kommer is ud, skal du kontrollere om der sidder noget is fast i kanalen og fjerne det. Kontroller regelmæssigt iskanalen for at fjerne blokeringerne som vist på figur 5.



Figure 5

Første gang, du bruger køleskabet, eller hvis du ikke bruger det i lang tid, kan isterningerne være små på grund af luft i røret efter tilslutning, al luft vil blive fjernet under normal brug.

Fjern isen, der er produceret i ca. en dag, da vandrøret kan indeholde forurening.

Forsigtig!

Sæt ikke hånden eller nogen anden genstand ind i iskanalen og klingene, da det kan ødelægge dele eller skade hånden.

Lad ikke børnene hænge på isdispenseren eller ismaskinen, da det kan forårsage personskade.

For at forebygge at tabe isreservoiret, skal du bruge begge hænder, når du fjerner den.

Hvis du lukker døren hårdt, kan det forårsage spild af vand over isreservoiret.

Afmonter ikke isreservoiret, med mindre det er nødvendigt.

Hvis der er en blokering (der kommer ingen is ud af køleskabet) når man tager knust is, så prøv at tage isterninger.

Derefter vil det være muligt at tage knust is igen.

Når man tager knust is, kan der komme isterninger først. Der er en mulighed for at få isterninger, når man tager knust is.

Drift af produktfryserdøren på forsiden af maskinen kan skabe let sne og et lag af film.

Dette er normalt, det anbefales at rengøre uden at vente for længe.

6.17 Frysning af friske fødevarer

- For at bevare fødevarekvaliteten, skal fødevarer der lægges i fryseren, fryses så hurtigt som muligt. Til dette formål skal du bruge den hurtige indfrysningfunktion.
- For at fryse en stor mængde friske fødevarer, skal du trykke på knappen for hurtig frysning 24 timer før fødevarerne anbringes i fryserummet.
- Indfrysning af fødevarer, mens de er friske, forlænger opbevaringstiden i fryseren.
- Pak fødevarer i lufttætte pakker og luk dem tæt til.
- Sørg for, at fødevarerne er pakket, inden du lægger dem i fryseren. Brug fryserholdere, tinfole og fugtfast papir, plastpose eller lignende emballagematerialer i stedet for traditionelt emballagepapir.
- Marker hver fødevarepakke ved at skrive datoen på pakken før frysning. Dette giver dig mulighed for at bestemme friskheden af hver pakke, hver gang fryseren åbnes. Opbevar de ældste fødevarer forrest for at sikre, at de anvendes først.
- Frosne fødevarer skal bruges umiddelbart efter optøning og må ikke fryses igen.
- Tag ikke store mængder mad ud på én gang.

Indstilling af fryser	Indstilling af køleskab	Beskrivelser
-18°C	4°C	Dette er den anbefalede standardindstilling
-20, -22 eller -24°C	4°C	Disse indstillinger anbefales til omgivelsestemperaturer over 30 °C.
Hurtig frysning	4°C	Tryk på Hurtigfrysefunktionen 24 timer før maden lægges ind, produktets tidligere indstillinger annulleres, når processen er afsluttet.
-18°C eller koldere	2°C	Brug disse indstillinger, hvis du mener, at kølerummet ikke er koldt nok på grund af omgivelsestemperatur eller ofte åbner døren.

6.18 Anbefalinger til opbevaring af frosne fødevarer

Rummet skal indstilles til mindst -18°C.

1. Anbring madvarerne i fryseren så hurtigt som muligt for at undgå optøning.
2. Før frysning skal du kontrollere "Udløbsdato" på pakken for at sikre, at den ikke er udløbet.
3. Vær sikker på at madens emballageoverflade ikke er beskadiget.

6.19 Detaljer om dybfryser

I henhold til IEC 62552-standarden skal fryseren have kapacitet til at fryse 4,5 kg madvarer ved -18°C eller lavere temperaturer på 24 timer for hver 100 liter fryserum. Fødevarer kan kun konserveres i længere perioder ved eller under en temperatur på -18°C. Du kan

holde maden frisk i flere måneder (i dybfryser ved eller under temperaturer på 18°C).

De madvarer, der skal fryses, må ikke komme i kontakt med de allerede frosne madvarer inde for at undgå delvis optøning.

Kog grøntsagerne og filtrer vandet for at forlænge den frosne opbevaringstid. Anbring maden i lufttæt emballage efter filtrering, og læg den i fryseren. Bananer, tomater, salat, selleri, kogte æg, kartofler og lignende madvarer må ikke fryses. Frysning af disse fødevarer vil simpelthen reducere næringsværdien og fødevarerens kvalitet, såvel som mulig ødelæggelse, som er sundhedsskadelig.

6.20 Anbringelse af fødevarer

Hylder til fryserum	Forskellige frosne Inkluderer kød, fisk, is, grøntsager osv.
Hylder til kølerum	Fødevarer i gryder, plader og låg med låg, æg (i låg)
Dørhylder til kølerum	Små og pakkede fødevarer eller drikkevarer
Grøntsagsbeholder	Frukt og grønt
Rum til frisk mad	Delikatesser (morgenmad, kødprodukter, der skal indtages med kort varsel)

6.21 Alarm for åben dør

(Denne funktion er ekstraudstyr)

En lydalarm høres, hvis produktets dør forbliver åben i 1,5 minut. Den akustiske alarm stopper, når døren lukkes, eller når der trykkes på en vilkårlig knap på displayet (hvis tilgængelig).

6.22 Belysningslampe

Indvendigt lys bruger en LED-lampe. Kontakt den autoriserede service for eventuelle problemer med denne lampe. Lampe(r), der bruges i dette apparat, kan ikke bruges til husbelysning. Formålet med brugen af denne lampe er at hjælpe brugeren med at placere mad i køleskabet/fryseren sikkert og komfortabelt.

7 Vedligeholdelse og rengøring



ADVARSEL:

Læs først afsnittet "Sikkerhedsinstruktioner"!



ADVARSEL: Afbryd

køleskabet, før rengøring.

- Brug ikke skarpe eller slibende værktøjer til at rengøre produktet. Brug ikke materialer som husholdningsrengøringsmidler, vaskemidler, gas, benzin, alkohol, voks osv.
- Støvet skal fjernes fra ventilationsgitteret på bagsiden af produktet mindst en gang om året (uden at dækslet åbnes). Rengør med en tør klud.

For produkter med vandbeholder/ismaskine

- Hvis vandet i vandtanken har stået i 2-3 uger, skal det udskiftes.
- Vandtanken og komponenterne i vandfontænen må ikke vaskes i opvaskemaskiner.
- Smelt en teskefuld karbonat i vand. Fugt en klud i vandet og vrid det ud. Tør enheden af med denne klud og tør grundigt efter.
- Sørg for at holde vand væk fra lampens dæksel og andre elektriske dele.
- Rengør døren med en fugtig klud. Fjern alt indhold for at fjerne døren og køleskabshylderne. Fjern dørstativerne ved at løfte dem opad. Rengør og tør hylderne, og fastgør dem derefter igen ved at glide ovenfra.
- Brug ikke klorvand eller rengøringsprodukter på den udvendige overflade og krombelagte dele af produktet. Klor vil forårsage rust på sådanne metalliske overflader.

- Brug ikke skarpe og slibende værktøjer, sæbe, husrengøringsmaterialer, rengøringsmidler, gas, benzin, lak og lignende stoffer for at forhindre deformation af plastdelen og fjernelse af udskrifter på den del. Brug lunkent vand og en blød klud til rengøring og tør den derefter.
- På produkter uden No-Frost-funktion kan der forekomme vanddråber og is på op til en tykkelse af en finger på bagvæggen i fryseren. Rengør det ikke. Påfør aldrig olie eller lignende stoffer på det.
- Brug en let fugtet mikrofiberklud til at rengøre produktets ydre overflade. Svampe og andre typer rengøringsklude kan forårsage ridser.
- For at rense alt aftagelige komponenter under rengøringen af produktets indre overflade, vask disse komponenter med en mild opløsning bestående af sæbe, vand og karbonat. Vask og tør grundigt. Undgå kontakt med vand på belysningskomponenter og kontrolpanelet.



FORSIGTIG:

Brug ikke eddike, spritalkohol eller andre alkoholbaserede rengøringsmidler på indvendige overflader.

7.1 Ydre overflader i rustfrit stål

Brug et ikke-slibende rengøringsmiddel i rustfrit stål, og påfør det med en blød fnugfri klud. For at polere, tørres let.

7 Vedligeholdelse og rengøring

Tørres overfladen forsigtigt af med en mikrofiberklud fugtet med vand og brug tør poleringskind. Følg altid årerne i rustfrit stål.

7.2 Rengøring af produkter med glasdøre

Fjern beskyttelsesfolien på glassene.

Der er en belægning på overfladen af glasset. Denne belægning minimerer dannelsen af pletter og giver let rengøring af de dannede pletter og snavs. Glas, der ikke er beskyttet af belægning, kan udsættes for permanent binding af organiske eller uorganiske, luft- og vandbaserede forurenende stoffer som kalksten, mineralsalte, uforbrændte kulbrinter, metaloxider og silikoner, som let forårsager farvning og fysisk skade på kort tid. At holde glasset rent bliver meget vanskeligt, hvis ikke umuligt, på trods af at det rengøres regelmæssigt. Som et resultat forringes gennemsigtigheden og udseendet af glasset. Hårde og slibende rengøringsmetoder og midler øger disse defekter yderligere og fremskynder forringelsesprocessen.

Til rutinemæssige rengøringsprocesser *ikke-alkaliske og ikke-ætsende vandbaserede rengøringsprodukter skal anvendes.

For at have opnå en længere levetid for denne belægning må der ikke anvendes alkaliske og ætsende stoffer under rengøringen.

En hærdningsproces anvendes til at øge modstanden af dette glas mod stød og brud.

Som en ekstra sikkerhedsforanstaltning, der er påført en sikkerhedsfilm på bagsiden af dette glas for at forhindre miljøskader, hvis den går i stykker.

7.3 Forebyggelse af lugt

Produktet er fremstillet fri for lugtende materialer. Opbevaring af mad i forkerte afsnit og forkert rengøring af indvendige overflader kan dog medføre lugt.

For at undgå dette, rengør indersiden med kulsyreholdigt vand hver 15. dag.

- Opbevar fødevarer i forseglede beholdere. Mikroorganismer kan sprede sig fra uforseglede fødevarer og forårsage dårlig lugt.
- Opbevar ikke udløbet og ødelagt mad i køleskabet.



Te er en af de mest effektive lugtfjernere. Anbring tebladene fra af den bryggede te i produktet i en åben beholder og fjern den senest efter 12 timer. Hvis du opbevarer tebladene inde i produktet i mere end 12 timer, samler den de organismer, der forårsager lugt, så det kan være selve lugtkilden.

7.4 Beskyttelse af plastoverflader

Olie spildt på plastoverflader kan beskadige overfladen og skal straks rengøres med varmt vand.

8. Fejlfinding

Tjek denne liste, før du kontakter servicecenteret. Dette vil spare dig tid og penge. Denne liste omfatter hyppige problemer, der ikke er relateret til fabrikationsfejl eller materialefejl. Visse funktioner nævnt heri, gælder muligvis ikke for dit produkt.

Køleskabet virker ikke.

- Stikket er ikke sat helt i >>> Sæt det helt ind i stikkontakten.
- Sikringen, der forsyner produktets stikkontakt, eller hovedsikringen er sprunget. <<>> Kontrollér sikringerne

Kondens på køleskabets sidevæg (MULTIZONE, KØL, KONTROL OG FLEXI-ZONE).

- Døren åbnes for ofte >>> Pas på ikke at åbne produktets dør for ofte.
- Omgivelserne er for fugtige >>> Installer ikke produktet i fugtige miljøer.
- Fødevarer, der indeholder væsker, opbevares i ulukkede holdere. >>> Opbevar fødevarer, der indeholder væsker, i lukkede holdere.
- Døren er åben: >>> Hold ikke produktets dør åben i for lange perioder.
- Termostaten er indstillet til for lav temperatur. >>> Indstil termostaten til en passende temperatur.

Kompressoren virker ikke.

- I tilfælde af pludselige strømsvigt, eller hvis stikket trækkes ud og sættes i igen, kan gastykket i produktets kølesystem komme ud af balance, hvilket udløser kompressorens termiske sikkerhedsforanstaltning. Produktet genstarter efter cirka 6 minutter. Hvis produktet ikke genstarter efter denne periode, skal du kontakte servicecenteret.
- Afrimning er aktiveret >>> Dette er normalt for et fuldautomatiseret afrimningsprodukt. Afrimningen gennemføres regelmæssigt.
- Produktet er ikke tilsluttet. >>> Sørg for at ledningen er sat i.
- Temperaturindstillingen er forkert. >>> Vælg den relevante temperaturindstilling.
- Strømmen er gået. >>> Produktet vil fortsætte med at fungere som normalt, når strømforsyningen er genoprettet.

Køleskabets driftsstøj stiger mens det er i brug.

- Produktet driftsresultater kan variere afhængigt af temperaturudsving. Dette er normalt og ikke en fejl.

Køleskabet kører for ofte eller for længe.

- Det nye produkt kan være større end det foregående. Større produkter vil køre i længere perioder.
- Rumtemperaturen kan være høj. >>> Produktet vil normalt køre i lange perioder ved højere rumtemperatur.
- Produktet kan være tilsluttet for nylig eller en ny fødevarer kan være anbragt i produktet. >>> Produktet vil tage længere tid om at nå den indstillede temperatur, når hvis en ny fødevarer lægges i køleskabet. Dette er normalt.
- Store mængder af varme fødevarer kan være lagt i produktet for nylig. >>> Anbring ikke varme fødevarer i produktet.
- Dørene blev åbnet ofte eller holdt åbne i lange perioder. >>> Den varme luft, der bevæger sig indeni, vil få produktet til at køre længere. Åbn ikke dørene for ofte.
- Fryser- eller køleskabsdørene er muligvis ikke lukket helt. >>> Kontrollér, om dørene er lukket helt.
- Produktet kan være indstillet til en for lav temperatur. >>> Indstil temperaturen til en højere grad og vent på, at produktet når den indstillede temperatur.
- Køleskabs- eller fryserdørens pakning kan være beskidt, slidt, defekt eller justeret forkert. >>> Rens eller udskift pakningen. En beskadiget/revne pakning vil få produktet til at køre i længere perioder for at bevare den aktuelle temperatur.

Frysertemperaturen er meget lav, men køletemperaturen er passende.

- Temperaturen i fryseren er indstillet til en meget lav grad. >>> Indstil temperaturen i fryseren til en højere grad, og tjek igen.

Køleskabets temperatur er meget lav, men fryserens temperatur er passende.

- Køleskabets temperatur er indstillet til en meget lav grad. >>> Indstil køleskabets temperatur til en højere grad, og tjek igen.

De fødevarer, der opbevares holdes i køleskabets skuffer er frosne.

- Køleskabets temperatur er indstillet til en meget lav grad. >>> Indstil temperaturen i fryseren til en højere grad, og tjek igen.

Temperaturen i køleskabet og fryseren er for høj.

- Køleskabets temperatur er indstilles til en meget høj grad. >>> Køleskabets temperatur påvirker temperaturen i fryseren. Reguler temperaturen i køleskabet eller fryseren og vent, indtil de relevante rum nå det indstillede temperaturniveau.
- Dørene blev åbnet ofte eller holdt åbne i lange perioder. >>> Dørene må ikke åbnes for ofte.
- Døren er muligvis ikke lukket helt. >>> Luk døren helt.
- Produktet kan være tilsluttet for nylig eller en ny fødevarer lagt i køleskabet. >>> Dette er normalt. Produktet vil tage længere tid om at nå den indstillede temperatur, hvis det er tilsluttet for nylig, eller hver der laget nye fødevarer i det.
- Store mængder af varme fødevarer kan være lagt i produktet for nylig. >>> Anbring ikke varme fødevarer i produktet.

Rysten eller støj.

- Underlaget er ikke plant eller holdbart. >>> Hvis produktet ryster når det flyttes langsomt, skal benene justeres for at balancere produktet. Sørg også for, at underlaget er tilstrækkelig stærkt til at bære produktet.
- Eventuelle genstande, der sættes på produktet, kan forårsage støj. >>> Fjern eventuelle genstande, der er placeret på produktet.

Produktet afgiver lyde af væske, der flyder, sprøjter osv.

- Produktets driftsprincipper indebærer væske- og gasstrømme. >>> Dette er normalt og ikke en fejl.

Der kommer en vindlyd fra produktet.

- Produktet bruger en blæser til køleprocessen. Dette er normalt og ikke en fejl.

Der er kondens på produktets indvendige vægge.

- Varmt eller fugtigt vejr vil øge isdannelse og kondens. Dette er normalt og ikke en fejl.
- Dørene blev åbnet ofte eller holdt åbne i lange perioder. >>> Dørene må ikke åbnes for ofte, og hvis dørene er åbne, skal de lukkes.
- Døren kan være åben. >>> Luk døren helt.

Der er kondens på produktets yderside eller mellem dørene.

- Vejrforholdene kan være fugtige, og denne tilstand er helt normalt i fugtigt vejr. >>> Kondensen forsvinder, når luftfugtigheden falder

Produktet lugter dårligt indvendigt.

- Produktet er ikke rengjort regelmæssigt. >>> Rengør indvendigt regelmæssigt med svamp, varmt vand og kulsyreholdigt vand.
- Visse holdere og emballager kan forårsage lugt. >>> Brug holdere og emballage, der er fri for lugt.
- Fødevarerne blev anbragt i ulukkede beholdere. >>> Opbevar fødevarer i forseglede beholdere. Mikroorganismer kan spredes ud af uforseglede fødevarer og forårsage dårlig lugt.
- Fjern eventuelle udløbne eller rådne fødevarer fra produktet.

Døren lukker ikke

- Fødevarepakker kan blokere døren. >>> Flyt eventuelle produkter, der blokerer dørene.
- Produktet står ikke helt lige position på gulvet. >>> Juster benene for at balancere produktet.
- Gulvet er ikke plant eller robust. >>> Sørg underlaget er plant og tilstrækkelig robust til at bære produktet.

Hvis Produktets Overflade Er Varm

- Der kan opleves varme temperaturer mellem de to løber, på sidepanelerne og ved risten bagtil, når produktet er i brug. Dette er normalt og kræver ikke vedligeholdelse af servicepersonale. Vær forsigtig, når du rører ved disse områder.



ADVARSEL: Hvis problemet fortsætter, efter du har fulgt anvisningerne i dette afsnit, skal du kontakte din forhandler eller et autoriseret servicecenter. Forsøg ikke at skille produktet ad.

ANSVARFRASKRIVELSE / ADVARSEL

Nogle (enkle) fejl kan i tilstrækkelig grad håndteres af slutbrugeren uden sikkerhedsproblemer eller usikker anvendelse, forudsat at de udføres inden for grænserne og i overensstemmelse med følgende instruktioner (se afsnittet "Selvreparation").

Derfor medmindre andet er tilladt i afsnittet "Selvreparation" nedenfor, skal reparationer rettes til registrerede professionelle reparatører for at undgå sikkerhedsproblemer. En registreret professionel reparatør er en professionel reparatør, som producenten har givet adgang til listen over instruktioner og reservedele til dette produkt i henhold til metoderne beskrevet i lovgivningsmæssige retsakter i henhold til direktiv 2009/125/EF.

Imidlertid er det kun serviceagenten (dvs. autoriserede professionelle reparatører), som du kan nå gennem det telefonnummer, der er angivet i brugervejledningen/garantikortet eller gennem din autoriserede forhandler, der kan levere service under garantibetingelserne. Vær derfor opmærksom på, at reparationer udført af professionelle reparatører (som ikke er godkendt af Grundig) annullerer garantien.

Selvreparation

Selvreparation kan udføres af slutbrugeren med hensyn til følgende reservedele: dørhåndtag, dørhængsler, bakker, kurve og dørpakninger (en opdateret liste er også tilgængelig på support.grundig.com pr. 1. marts 2021).

For at sikre produktsikkerhed og for at forhindre risiko for alvorlig personskade skal den nævnte selvreparation desuden udføres efter instruktionerne i brugervejledningen til selvreparation, eller som findes på support.grundig.com. For din sikkerhed skal du trække stikket ud af produktet, inden du prøver selvreparation.

Slutbrugeres reparations- og reparationsforsøg på dele, der ikke er med på en sådan liste og/eller ikke følger instruktionerne i brugervejledningerne til selvreparation, eller som findes på support.grundig.com kan give anledning til sikkerhedsproblemer, der ikke kan henføres til Grundig og annullerer produktets garanti.

Derfor anbefales det stærkt, at slutbrugere afstår fra forsøget på at udføre reparationer, der falder uden for den nævnte liste over reservedele, og i sådanne tilfælde kontakter autoriserede professionelle reparatører eller registrerede professionelle reparatører. Tværtimod kan sådanne forsøg fra slutbrugere medføre sikkerhedsproblemer og beskadige produktet og derefter forårsage brand, oversvømmelse, elektrisk stød og alvorlig personskade.

Som eksempel, men ikke begrænset til, skal følgende reparationer udføres ved henvendelse til rettes til autoriserede, professionelle reparatører eller registrerede professionelle reparatører: kompressor, kølekredsløb, hovedkort, inverterkort, displaykort osv.

Producenten/sælgeren kan ikke holdes ansvarlig i tilfælde, hvor slutbrugerne ikke overholder ovenstående .

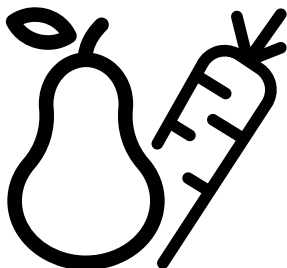
Reservedeles tilgængelighed for den køleskabet, du har købt, er 10 år. I denne periode vil originale reservedele være tilgængelige for at betjene køleskabet korrekt.

Garantiens minimumsvarighed for køleskabet, som du har købt, er 24 måneder.

Dette produkt er forsynet med en lyskilde i energiklasse "G". Lyskilden i dette produkt må kun udskiftes af professionelle reparatører.

GRUNDIG

Frigorífico
Manual do Utilizador
Ψυγείο
Εγχειρίδιο χρήσης



GSBS23340FXPN



PT/EL

58 6292 0000/AE PT -EL 4/4

CONTEÚDO

1. Instruções de Segurança	3
! 1.1 Utilização a que se destina..	3
! 1.2 - Segurança de crianças, pessoas vulneráveis e animais de estimação.....	3
! 1.3 - Segurança Elétrica	4
! 1.4 - Segurança ao transportar.....	5
! 1.5 - Segurança ao instalar ...	5
! 1.6- Segurança Operacional..	7
! 1.7- Segurança na manutenção e limpeza.....	10
! 1.8- HomeWhiz	11
! 1.9- Iluminação	11
2 Instruções ambientais	12
2.1 Em conformidade com a Diretiva REEE e Eliminação de Resíduos: ..	12
2.2 Em conformidade com a Diretiva RoHS.....	12
2.3 Informação da embalagem.....	12
2. Frigorífico	13
4 Instalação	14
4.1 O local correto para instalação..	14
4.2 Fixar as cunhas de plástico..	14
4.3 Ajuste dos pés.....	15
4.4 Ligação elétrica.....	17
4.5 Ligação da água	17
4.6 Ligar a mangueira de água ao produto.....	18
4.7 Ligar à canalização da água	18
4.8. Para produtos que utilizam garrafão de água.....	19
4.9 Filtro de água	20
4.9.1. Fixar o filtro externo na parede (Opcional).....	20
4.9.2. Filtro interno	21
5 Preparação	24
5.1 O que fazer para poupar energia	24
5 Preparação	25
5.2 Primeiro funcionamento.....	25

6 Colocar o produto em funcionamento	26
6.1 Pausar o programa	26
6 Funcionamento do produto	27
6.2 Painel indicador	27
6.3 Módulo desodorizante	30
6.4 Gaveta para legumes com humidade controlada (FreSHelf)	30
(Esta característica é opcional)	30
6.5 Blue light/ Tecnologia Vitamin Care	31
6.6 Usar o dispensador de água..	32
6.7 Encher o reservatório de água do dispensador	32
6.8 Limpar o reservatório de água ..	33
6.9 Compartimento de laticínios (armazenamento frio).....	34
6.10 Gaveta para legumes	34
6.11 Ionizador.....	34
6.12 Filtro de odores	34
6.13 Icematic e caixa de armazenamento de gelo.....	34
6.14 Tirar gelo / água	35
6.15 Tirar gelo / água	36
6.16 Tabuleiro para pingos	37
6.17 Gerador de gelo	37
6.18 Congelar alimentos frescos....	40
6.19 Recomendações para armazenar alimentos frescos	41
6.20 Detalhes de congelador	41
6.21 Colocar os alimentos	42
6.22 Alerta de porta aberta.....	42
6.23 Lâmpada de iluminação.....	42
7 Manutenção e limpeza	43
7.1 Superfícies exteriores de aço inoxidável	43
7.2 Limpeza dos produtos com portas de vidro	44
7.3 Evitar odores.....	44
7.4 Proteger superfícies de plástico	44
7 Manutenção e limpeza	44
8. Resolução de problemas	45

Caro Cliente,

Deve ler este manual antes de utilizar o produto.

Agradecemos ter escolhido este produto. Gostaria de obter uma eficiência ótima deste produto de alta qualidade que foi fabricado com a tecnologia mais moderna. Para o fazer, deve ler cuidadosamente este manual e qualquer outra documentação fornecida antes de utilizar o produto e manter a mesma como uma referência.

Deve prestar atenção a toda a informação e todas as advertências no manual do utilizador. Desta forma, irá proteger-se a si mesmo e ao seu produto contra os perigos que podem ocorrer.

Guardar o manual do utilizador. Deve incluir este manual com a unidade caso o produto seja cedido a outra pessoa.

São usados os seguintes símbolos no guia do utilizador:



Risco que pode resultar em morte ou lesões.



OBSERVAÇÃO Um risco que pode causar danos materiais ao produto ou ao seu redor



Informações importantes ou dicas úteis sobre o funcionamento.





Ler o manual do utilizador.


 INFORMATION	
	<p>.The model information as stored in the product data base can be reached by entering following website and searching for your model identifier (*) found on energy label.</p> <p>https://eprel.ec.europa.eu/</p>


1. Instruções de Segurança

- Esta seção contém instruções de segurança que ajudarão contra riscos de ferimentos pessoais ou danos materiais.
- A nossa empresa declina qualquer responsabiliza por danos que possam surgir quando essas instruções não são seguidas.

 procedimentos de instalação e reparo devem ser sempre realizados pelo fabricante, agente de serviço autorizado ou uma pessoa qualificada especificada pelo importador.

 somente usa peças e acessórios originais.

 não faça reparação ou substituição de qualquer parte do produto, a menos que seja especificada expressamente no manual do utilizador.

 não faça nenhuma modificação técnica no produto.

1.1 Utilização a que se destina

- Este produto não é adequado para uso comercial e não deve ser utilizado fora da utilização a que se destina.

Este produto foi projetado para o uso doméstico e lugares fechados.

Por exemplo:

- Cozinhas de pessoal em lojas, escritórios e outros ambientes de trabalho,
- Casas de fazenda,
- Áreas utilizadas por clientes em hotéis, motéis e outros tipos de acomodação,
- Hotéis do tipo alojamento e pequeno almoço, hospedarias,
- Restauração e aplicações similares de não-retalho.

Este produto não deve ser utilizado ao ar livre com ou sem uma tenda acima dele, como barcos, varandas ou terraços. Não exponha o produto à chuva, neve, sol ou vento.

Existe o risco de incêndio!

1.2 - Segurança de crianças, pessoas vulneráveis e animais de estimação

- Este produto pode ser utilizado por crianças com mais de 8 anos e por pessoas com capacidades físicas, sensoriais ou mentais limitadas ou que não possuam experiência e

conhecimento, desde que supervisionadas ou treinadas sobre o uso seguro do produto e os riscos que isso ocasiona.

- Crianças de 3 a 8 anos podem carregar e descarregar produtos frigoríficos.
- Os produtos elétricos são perigosos para crianças e animais de estimação. Crianças e animais de estimação não devem brincar, subir ou entrar no produto.
- A limpeza e a manutenção pelo utilizador não devem ser realizadas por crianças, a menos que sejam supervisionadas por alguém.
- Mantenha os materiais de embalagem afastados das crianças. Existe o risco de ferimentos e asfixia!
- Antes de eliminar o produto antigo ou obsoleto:
 1. Desligue o produto da tomada, agarrando-o pela ficha.
 2. Corte o cabo de alimentação e remova-o do aparelho junto com a ficha.
 3. Não remova as prateleiras ou gavetas para que

seja mais difícil a entrada de crianças no produto.

4. Retire as portas.
 5. Mantenha o produto de forma a não derrubá-lo.
 6. Não permita que crianças brinquem com o produto antigo.
- Nunca jogue o produto no fogo para eliminação. Existe o risco de explosão!
 - Se houver uma trava na porta do produto, a chave deve ser mantida fora do alcance das crianças.

1.3 - Segurança Elétrica

- O produto deve ser desconectado durante os procedimentos de instalação, manutenção, limpeza, reparo e movimentação.
- Se o cabo de alimentação estiver danificado, ele deverá ser substituído por uma pessoa qualificada especificada pelo fabricante, agente de serviço autorizado ou importador, a fim de evitar possíveis perigos.
- Não aperte o cabo de alimentação embaixo ou atrás do produto. Não coloque objetos pesados sobre o cabo de alimentação. O cabo de alimentação

não deve ser dobrado excessivamente, comprimido ou entrar em contato com qualquer fonte de calor.

- Não use cabos de extensão, soquetes múltiplos ou adaptadores para operar o produto.
- Soquetes múltiplos portáteis ou fontes de energia portáteis podem superaquecer e causar incêndio. Portanto, não mantenha nenhum soquete múltiplo atrás ou próximo ao produto.
- A ficha deve ser facilmente acessível. Se isso não for possível, a instalação elétrica à qual o produto está conectado deve conter um dispositivo (como fusível, interruptor, disjuntor etc.) que esteja em conformidade com os regulamentos elétricos e desconecte todos os pólos da rede.
- Não toque no cabo de alimentação com as mãos molhadas.
- Remova a ficha da tomada segurando a ficha e não o cabo.

1.4 - Segurança ao transportar

- O produto é pesado, não mova-o sozinho.
- Não segure à porta ao mover o produto.
- Preste atenção para não danificar o sistema de arrefecimento ou a tubagem durante o transporte. Se a tubagem estiver danificada, não opere o produto e ligue para o agente de serviço autorizado.

1.5 - Segurança ao instalar

- Ligue para o agente de serviço autorizado para instalar o produto. Para preparar o produto para utilização, verifique as informações no manual do utilizador para garantir que as instalações de eletricidade e água sejam adequadas. Caso contrário, chame um electricista e canalizador qualificado para que sejam tomadas as providências necessárias. Caso contrário, existe o risco de choque elétrico, incêndio, problemas com o produto ou ferimentos!

- Antes da instalação, verifique se o produto possui algum defeito. Se o produto estiver danificado, não instale-o.
- Coloque o produto numa superfície limpa, plana e sólida e equilibre-o com os pés ajustáveis. Caso contrário, o produto poderá tombar e causar ferimentos.
- O local da instalação deve estar seco e bem ventilado. Não coloque tapetes, carpetes ou coberturas similares sob o produto. Ventilação insuficiente causa risco de incêndio!
- Não cubra ou bloqueie as aberturas de ventilação. Caso contrário, o consumo de energia aumenta e seu produto pode ser danificado.
- O produto não deve estar conectado a sistemas de fornecimento, como fontes de energia solar. Caso contrário, seu produto poderá ser danificado devido a mudanças repentinas de tensão!
- Quanto mais refrigerante um frigorífico contiver, maior será o local da instalação. Se o local da instalação for muito pequeno, o

refrigerante inflamável e a mistura de ar se acumularão nos casos de vazamento de refrigerante no sistema de arrefecimento. O espaço necessário para cada 8 gramas de refrigerante é de 1 m³ no mínimo. A quantidade de refrigerante no seu produto está indicada na etiqueta de tipo.

- O produto não deve ser instalado em locais expostos à luz solar direta e deve ser mantido longe de fontes de calor, como placas, radiadores, etc.

Se for inevitável instalar o produto próximo a uma fonte de calor, uma placa de isolamento adequada deve ser usada no meio e as seguintes distâncias mínimas devem ser mantidas em relação à fonte de calor:

- no mínimo 30 cm de distância de fontes de calor, como placas, fornos, aquecedores ou fogões;
- No mínimo 5 cm de distância dos fornos elétricos.

- A classe de proteção do seu produto é do Tipo I. Conecte o produto a um soquete conectado à terra que esteja em conformidade com os valores de tensão, corrente e frequência indicados na etiqueta de tipo do produto. O soquete deve ser equipado com um disjuntor de 10 A a 16 A. Nossa empresa declina qualquer responsabilidade

por quaisquer danos que surjam quando o produto for utilizado sem ligação à terra e ligação elétrica de acordo com as normas locais e nacionais.

- O produto não deve ser conectado durante a instalação. De outro modo, há o risco de choque elétrico e ferimentos!
- Não conecte o produto em soquetes soltos, deslocados, quebrados, sujos, gordurosos ou com risco de entrar em contato com a água.
- Encaminhar o cabo de alimentação e as mangueiras (se houver) do produto de forma a não causar risco de tropeçar.
- Expor as peças sob tensão ou o cabo de alimentação à humidade pode causar curto-circuito. Portanto, não instale o produto em locais como garagens ou lavandarias onde a humidade é alta ou a água pode salpicar. Se o frigorífico ficar molhado com água, desligue e ligue para o agente de serviço autorizado.
- Nunca conecte o seu frigorífico a dispositivos de

economia de energia. Tais sistemas são prejudiciais ao seu produto.

1.6- Segurança Operacional

- Nunca use solventes químicos no produto. Existe o risco de explosão!
- Se o produto falhar, desligue-o e não opere até que seja reparado pelo agente de serviço autorizado. Existe o risco de choque elétrico!
- Não colocar fontes de chama (velas acesas, cigarros, etc.) sobre ou perto do produto.
- Não suba no produto. Há o risco de cair e se machucar!
- Não danifique a tubagem do sistema de arrefecimento com objetos afiados ou penetrantes. O refrigerante que pode sair quando a tubagem de refrigeração, extensões de tubagem ou revestimentos de superfície são perfurados pode causar irritações na pele e lesões nos olhos.
- A menos que seja recomendado pelo fabricante, não coloque ou utilize dispositivos elétricos

- dentro do frigorífico/ congelador.
- Tenha cuidado para não prender as mãos ou qualquer outra parte do corpo nas partes móveis dentro do frigorífico. Preste atenção para não apertar os dedos entre a porta e o frigorífico. Tenha cuidado ao abrir e fechar a porta, especialmente se houver crianças por perto.
 - Nunca coma sorvete, cubos de gelo ou alimentos congelados logo após removê-los do frigorífico. Existe o risco de queimadura pelo frio!
 - Quando suas mãos estiverem molhadas, não toque nas paredes internas ou partes metálicas do congelador ou nos alimentos armazenados nela. Existe o risco de queimadura pelo frio!
 - Não coloque latas ou garrafas que contenham bebidas carbonatadas ou líquidos congeláveis no compartimento do freezer. Latas e garrafas podem estourar. Existe o risco de ferimentos ou danos materiais!
 - Não coloque nem use sprays inflamáveis, materiais inflamáveis, gelo seco, substâncias químicas ou materiais sensíveis ao calor similares perto do frigorífico. Existe risco de incêndio e explosão!
 - Não armazene materiais explosivos que contenham materiais inflamáveis, como latas de aerossol, em seu produto.
 - Não coloque recipientes cheios de líquido sobre o produto. Salpicos de água numa parte elétrica podem causar choque elétrico ou risco de incêndio.
 - Este produto não se destina ao armazenamento de medicamentos, plasma sanguíneo, preparações de laboratório ou substâncias e produtos médicos similares sujeitos à Diretiva de Produtos Médicos.
 - A utilização do produto contra seu propósito pretendido pode deteriorar ou estragar os produtos armazenados dentro do mesmo.
 - Se o seu frigorífico estiver equipado com luz azul, não olhe para esta luz com

ferramentas ópticas. Não olhe directamente para a lâmpada UV LED durante um longo período de tempo. A luz ultravioleta pode causar astenopia.

- Não sobrecarregue o produto. Os objetos no frigorífico podem cair quando a porta é aberta, ocasionando ferimentos ou danos. Problemas semelhantes podem surgir se algum objeto for colocado no produto.
- Para evitar ferimentos, certifique-se de limpar todo o gelo e água que possam ter caído ou espirrado no chão.
- Mude a posição das prateleiras/suporte de garrafas na porta do seu frigorífico apenas quando estiverem vazias. Existe o risco de ferimentos!
- Não coloque objetos que possam cair / tombar sobre o produto. Tais objetos podem cair quando a porta estiver aberta e causar ferimentos e/ou danos materiais.
- Não bata ou exerça força excessiva em superfícies de vidro. Vidro quebrado pode

causar lesões e/ou danos materiais.

- O sistema de arrefecimento do seu produto contém R600a refrigerante: O tipo de refrigerante utilizado no produto é indicado no rótulo do tipo. Este refrigerante é inflamável. Portanto, preste atenção para não danificar o sistema de arrefecimento ou a tubagem enquanto o produto estiver em uso. Se a tubagem for danificada:
 - Não toque no produto ou no cabo de alimentação,
 - Mantenha longe de fontes potenciais de fogo que possam causar incêndio no produto.
 - Ventile a área onde o produto está localizado. Não use ventiladores.
 - Ligue para o agente de serviço autorizado.
- Se o produto estiver danificado e vir vazamento de refrigerante, fique longe do refrigerante. Refrigerante pode causar queimaduras de gelo em caso de contato com a pele.

Para produtos com bebedouro / máquina de gelo

- Use apenas água potável. Não encha o tanque de água com líquidos, como suco de frutas, leite, bebidas carbonadas ou bebidas alcoólicas, que não são adequados para uso no bebedouro.
- Existe o risco à segurança e de saúde!
- Não permita que as crianças brinquem com o bebedouro ou máquina de gelo (Icematic) para evitar acidentes ou ferimentos.
- Não insira os dedos ou outros objetos no orifício do bebedouro, canal de água ou recipiente de máquina de gelo. Existe o risco de ferimentos ou danos materiais!

1.7- Segurança na manutenção e limpeza

- Não puxe da maçaneta da porta se precisar mover o produto para fins de limpeza. O puxador pode quebrar e causar lesões se você exercer força excessiva sobre o mesmo.
- Não borrife ou despeje água dentro ou no produto para

fins de limpeza. Existe o risco de incêndio e choque elétrico!

- Não use ferramentas afiadas ou abrasivas ao limpar o produto. Não use produtos de limpeza doméstica, detergente, gás, gasolina, diluente, álcool, verniz etc.
- Use apenas produtos de limpeza e manutenção dentro do produto que não sejam prejudiciais aos alimentos.
- Nunca utilize vapor ou produtos de limpeza a vapor para limpar ou descongelar o produto. O vapor entra em contato com as partes sob tensão do frigorífico, causando curto-circuito ou choque elétrico!
- Verifique se não entra água nos circuitos eletrônicos ou nos elementos de iluminação do produto.
- Utilize um trapo limpo e seco para limpar matérias estranhas ou poeira nos pinos da ficha. Não use um pano molhado ou húmido para limpar a ficha. Existe o risco de incêndio e choque elétrico!

1.8- HomeWhiz

- Ao operar seu produto por meio do aplicativo HomeWhiz, você deve observar os avisos de segurança mesmo quando estiver longe do produto. Você também deve seguir as advertências no aplicativo.

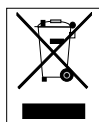
1.9- Iluminação

- Ligue para o serviço autorizado quando for necessário substituir o LED / lâmpada utilizada para iluminação.

2 Instruções ambientais

2.1 Em conformidade com a Diretiva REEE e Eliminação de Resíduos:

Este produto está em conformidade com a Diretiva EU WEEE (2012/19/EU). Este produto possui um símbolo de classificação para resíduos de equipamento elétrico e eletrónico (WEEE).



Este símbolo indica que este produto não deve ser eliminado com outros resíduos domésticos no fim da vida útil. O dispositivo

usado deve ser entregue num ponto de recolha oficial para reciclagem de dispositivos eléctricos e electrónicos. Para encontrar estes sistemas de recolha deve contactar as autoridades locais ou o revendedor onde o produto foi adquirido. Cada família desempenha um papel importante na recuperação e reciclagem de equipamentos usados. A eliminação adequada de aparelhos usados ajuda a evitar possíveis consequências negativas para o meio ambiente e a saúde humana.

2.2 Em conformidade com a Diretiva RoHS

O produto que comprou cumpre com a Diretiva RoHS EU (2011/65/EU). Não contém materiais nocivos e proibidos especificados na Diretiva.

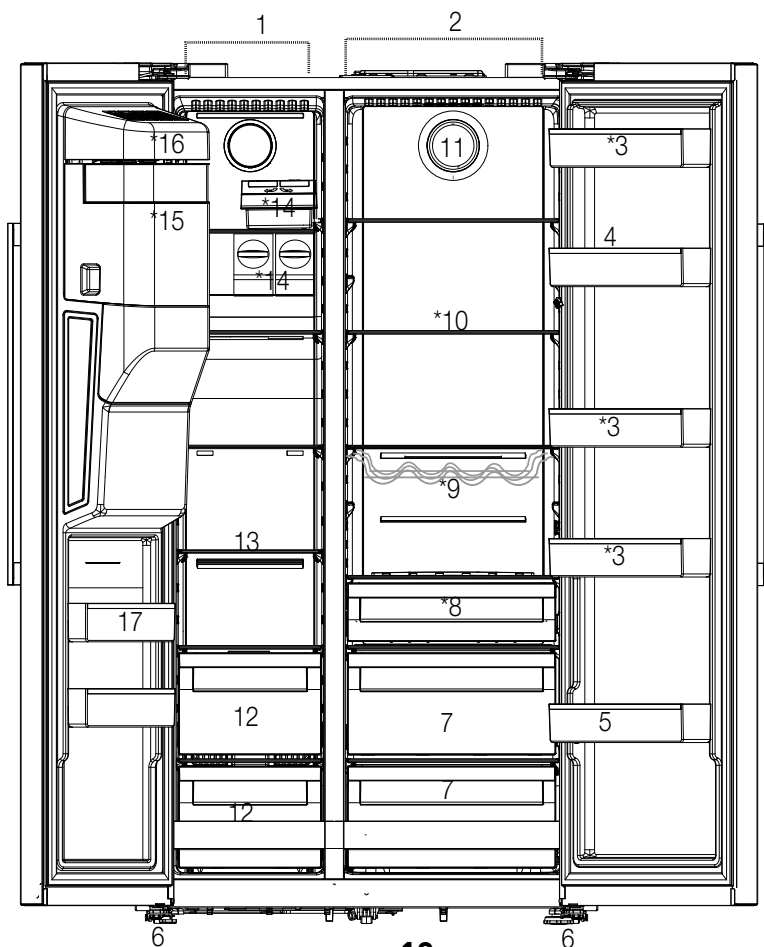
2.3 Informação da embalagem



Os materiais de embalagem do produto são fabricados com materiais recicláveis de acordo com os nossos Regulamentos

Ambientais Nacionais. Não eliminar os materiais de embalagem, em conjunto com os resíduos domésticos ou outros. Colocá-los nos pontos de recolha de material de embalagem designados pelas autoridades locais.

2. Frigorífico



1. Compartimento do congelador
2. Compartimento refrigerador
3. Prateleiras da porta do compartimento refrigerador
4. Suporte para ovos
5. Prateleira para garrafas
6. Suportes ajustáveis
7. Gaveta para legumes
8. O compartimento de laticínios (armazenamento frio)
9. Prateleira para garrafas
10. Prateleiras de vidro
11. Ventilador
12. Compartimentos de armazenamento de alimentos congelados
13. Prateleiras de vidro do compartimento congelador
14. Icematic
15. Caixa de armazenamento do gelo
16. Tapa decorativa do gerador de gelo
17. Prateleiras da porta do compartimento congelador

Pode não estar disponível em todos os modelos



*Opcional: As imagens neste guia do utilizador são esquemáticas e podem não coincidir exactamente com o seu produto. Se o seu produto não incluir partes relevantes, a informação diz respeito a outros modelos.

4 Instalação

4.1 O local correto para instalação



Ler primeiro a secção “Instruções de segurança”!

Este produto exige circulação de ar adequada para funcionar eficientemente.

Se o produto for colocado num nicho, devem ser deixados pelo menos 5 cm de espaço entre o produto e o teto, as paredes traseiras e laterais.

Se o produto for colocado num nicho, devem ser deixados pelo menos 5 cm de espaço entre o produto e o teto, as paredes traseiras e laterais. Verificar se o componente de proteção de espaço da parede traseira está presente na sua localização (se fornecido com o produto). Se o componente não estiver disponível, ou se se perder ou cair, posicionar o produto de forma a deixar pelo menos 5 cm de espaço entre o produto e as paredes da divisão. O espaço na parte traseira é importante para o funcionamento eficiente do produto.



ADVERTÊNCIA: Não usar extensão ou tomadas múltiplas na ligação da alimentação.



ADVERTÊNCIA: O fabricante não assume qualquer responsabilidade por quaisquer danos causados por trabalho realizado por pessoas não autorizadas.



ADVERTÊNCIA: O cabo de alimentação do produto deve estar desligado da tomada durante a instalação. Não o fazer pode resultar em morte ou lesões graves!



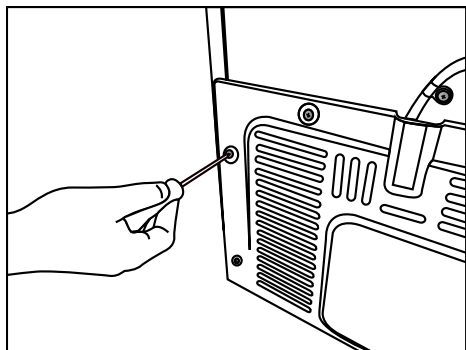
ADVERTÊNCIA: Se o vão da porta for muito estreito para o produto passar, retirar a porta e voltar o produto de lado; se isso não resultar, contactar a assistência autorizada.

- Colocar o produto numa superfície plana para evitar vibração.
- Colocar o produto afastado pelo menos 30 cm de aquecedor, fogão e fontes de calor similares e pelo menos a 5 cm de fornos elétricos.
- Não expor o produto a luz solar direta ou manter em ambientes húmidos.
- O produto precisa de circulação de ar adequada para funcionar eficientemente. Se o produto for colocado num nicho, lembrar-se de deixar pelo menos 5 cm de espaço entre o produto e o teto e as paredes.

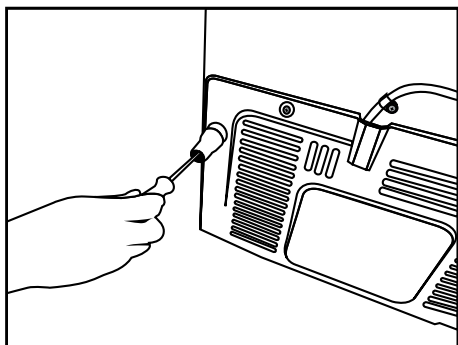
4.2 Fixar as cunhas de plástico

Usar as cunhas de plástico fornecidas com o produto para fornecer espaço suficiente para a circulação de ar entre o produto e a parede.

- Para fixar as cunhas, retirar os parafusos do produto e usar os parafusos fornecidos com as cunhas.

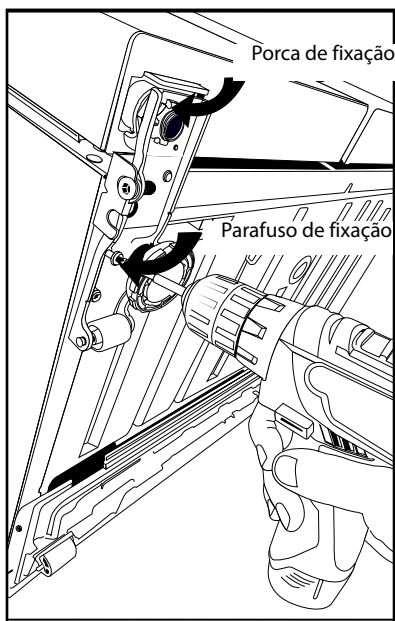
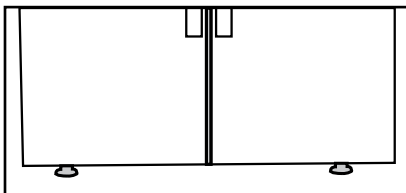


- Fixar 2 cunhas de plástico na tampa de ventilação, conforme mostrado na figura.



4.3 Ajuste dos pés

Se o produto não estiver em posição equilibrada, ajustar os suportes frontais ajustáveis rodando para a direita ou esquerda.

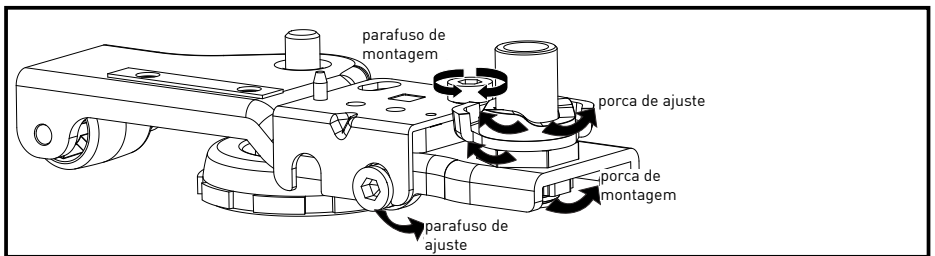


Para ajustar as portas verticalmente,



- Soltar a porca de fixação na parte inferior
- Aparafusar a porca de ajuste (CW/CCW) de acordo com a posição da porta
- Apertar a porca de fixação para a posição final

Para ajustar as portas horizontalmente,


- Soltar o parafuso de fixação na parte inferior
- Soltar a parafuso de fixação na parte superior
- Aparafusar a parafuso de ajuste (CW/CCW) na lateral de acordo com a posição da porta
- Apertar a parafuso de fixação na parte superior para a posição final
- Apertar o parafuso de fixação na parte inferior



4.4 Ligação elétrica


	ADVERTÊNCIA: Não usar extensão ou tomadas múltiplas na ligação da alimentação.
	ADVERTÊNCIA: Cabo de alimentação danificado deve ser substituído pela assistência autorizada.

- A nossa empresa não assumirá responsabilidade por quaisquer danos devido à utilização sem ligação da alimentação elétrica e à terra em conformidade com os regulamentos nacionais.
- A ficha do cabo de alimentação deve ser facilmente acessível após a instalação.

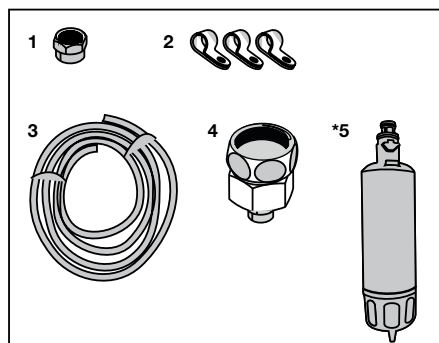
	Advertência de superfície quente!
	As paredes laterais do produto encontram-se equipadas com tubos de refrigeração para melhorar o sistema de arrefecimento. O fluido de alta pressão pode fluir através destas superfícies e provocar superfícies quentes nas paredes laterais. Isto é normal e não exige assistência. Deve ter cuidado quando contactar estas zonas.

4.5 Ligação da água

(Opcional)

	ADVERTÊNCIA: Desligar o produto e a bomba de água (se existir) durante a ligação.
---	--

As ligações de água, filtro e do reservatório devem ser realizadas por um serviço autorizado. O produto pode ser ligado a um garrafão de água ou diretamente à canalização da água, dependendo do modelo. Para estabelecer a ligação, a mangueira da água deve ser primeiro ligada ao produto. Verificar para ver se as seguintes peças foram fornecidas com o seu modelo do produto:



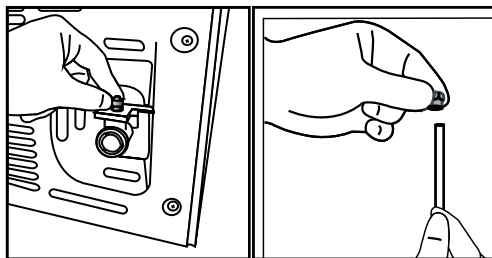
1. Conetor (1 unidade): Usado para ligar a mangueira de água à parte de trás do produto.
2. Abraçadeira (3 unidades): Usada para fixar a mangueira da água na parede.
3. Mangueira da água (1 unidade, 5 metros, diâmetro 1/4 polegada): Usada para ligação da água.
4. Adaptador de torneira (1 unidade): Inclui um filtro poroso usado para a ligação à conduta de água fria.

1. Filtro da água (1 unidade *Opcional)
Usado para ligar a água da canalização ao produto. O filtro de água não é necessário se a ligação do garrafão de água estiver disponível.

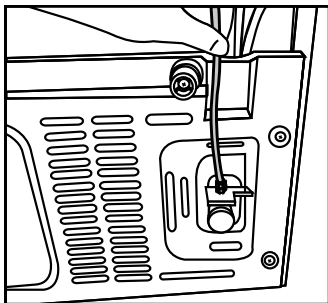
4.6 Ligar a mangueira de água ao produto

Para ligar a mangueira da água ao produto, seguir as instruções abaixo.

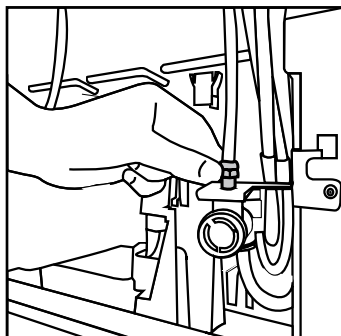
1. Remover o conetor no adaptador do bocal da mangueira na parte de trás do produto e passar a mangueira através do conetor.
2. Empurrar a mangueira da água para baixo com firmeza e ligar o adaptador do bocal da mangueira.



3. Apertar o conetor manualmente para fixar no adaptador do bocal da mangueira. Pode também apertar o conetor usando uma chave de tubos ou um alicate.



4. Ligar a outra extremidade da mangueira à canalização da água (Ver a Secção 4.7), para usar o garrafão de água para a bomba de água (Ver Secção 4.8).

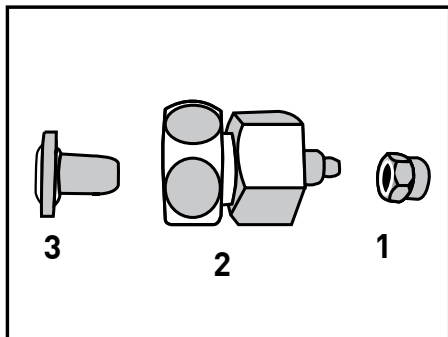


4.7 Ligar à canalização da água

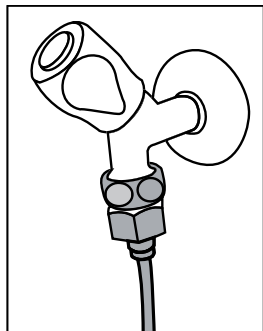
(Opcional)

Para usar o produto através da ligação à canalização da água fria, tem de ser instalado um conetor da válvula 1/2" padrão à canalização da água fria da sua habitação. Se o conetor não estiver disponível ou se não tiver a certeza, deve consultar um canalizador qualificado.

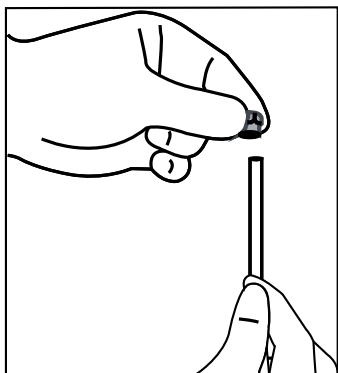
1. Separa o conetor (1) do adaptador da torneira (2).



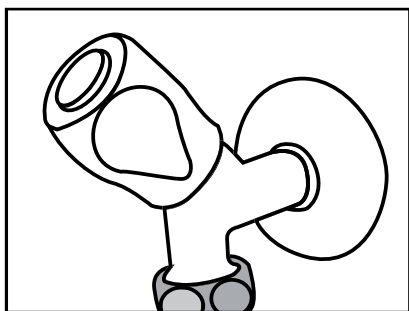
1. Ligar o adaptador da torneira à válvula da canalização da água.



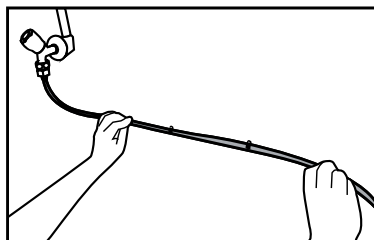
2. Encaixar o conector em volta da mangueira da água.



3. Encaixar o conector no adaptador da torneira e apertar o mesmo manualmente/ou com uma ferramenta.



4. Para evitar danos, o deslocamento ou acidentalmente desligar a mangueira, deve usar os cliques fornecidos para fixar adequadamente a mangueira da água.



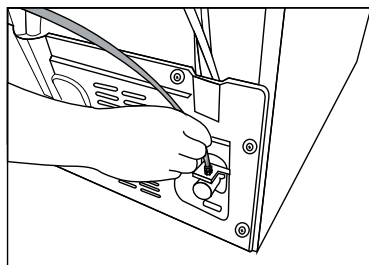
ADVERTÊNCIA: Depois de abrir a torneira, assegurar que não há fugas de água em nenhuma das extremidades da mangueira da água. Em caso de fuga, fechar a válvula e apertar as ligações usando uma chave de tubos ou um alicate.

4.8. Para produtos que utilizam garrafão de água

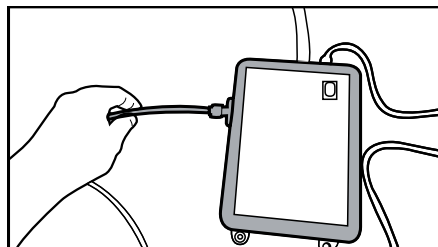
(Opcional)

Para usar um garrafão de água para ligação da água ao produto, deve ser usada a bomba de água recomendada pelo serviço autorizado.

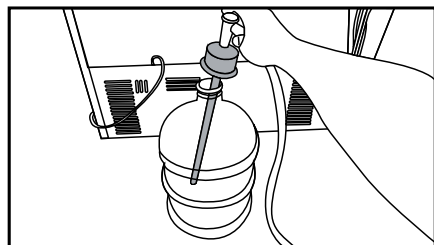
1. Ligar uma das extremidades da mangueira da água fornecida com a bomba ao produto (ver 4.6) e seguir as instruções abaixo.



1. Ligar a outra extremidade da mangueira da água à bomba de água empurrando a mangueira para dentro da entrada da mangueira da bomba.



2. Colocar e apertar a mangueira da água para dentro do garrafão de água.



3. Uma vez feita a ligação, ligar e arrancar com a bomba de água.



Deve aguardar 2-3 minutos depois de arrancar com a bomba para obter a eficiência pretendida.



Consultar também o manual do utilizador da bomba para a ligação da água.



Quando usar o garrafão de água, não é necessário o filtro de água.

4.9 Filtro de água

(Opcional)

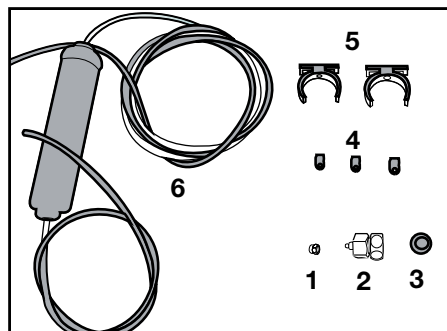
O produto pode ter um filtro interno ou externo, dependendo do modelo. Para ligar o filtro de água, deve seguir as instruções abaixo.

4.9.1. Fixar o filtro externo na parede (Opcional)



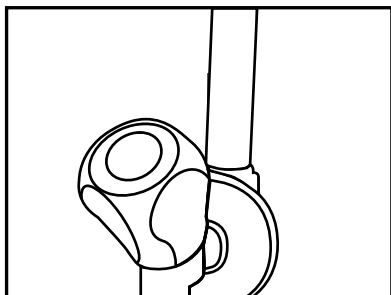
ADVERTÊNCIA: Não fixar o filtro no produto.

Verificar para ver se as seguintes peças foram fornecidas com o seu modelo do produto.

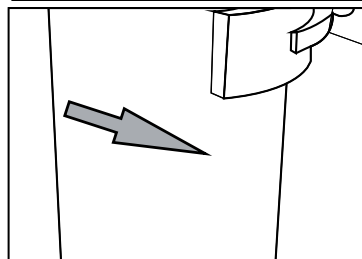
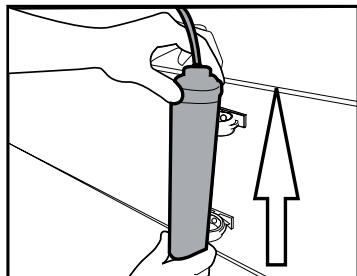


1. Conetor (1 unidade): Usado para ligar a mangueira de água à parte de trás do produto.
 2. Adaptador de torneira (1 unidade): Usado para ligação da canalização da água fria.
 3. Filtro poroso (1 unidade)
 4. Abraçadeira (3 unidades): Usada para fixar a mangueira da água na parede.
 5. Sistema de ligação do filtro (2 unidades): Usado para fixar o filtro na parede.
 6. Filtro de água (1 unidade): Usado para ligar o produto à canalização da água. O filtro de água não é necessário quando estiver a usar a ligação com garrafão de água.
1. Ligar o adaptador da torneira à válvula da canalização da água.
 2. Determinar a localização para fixar o filtro externo. Fixar o sistema de ligação do filtro (5) na parede.

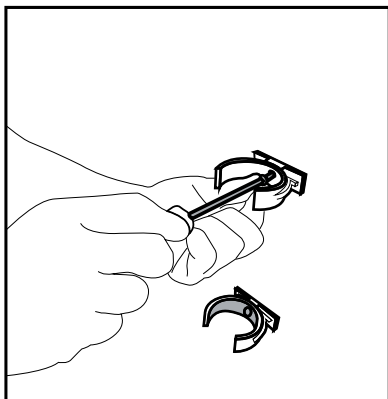
1. Encaixar o filtro na posição vertical no sistema de ligação do filtro, conforme indicado na etiqueta. (6)



Depois da ligação estar feita, deve estar igual à figura abaixo.

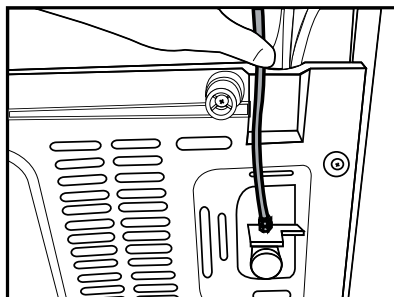


2. Encaixar a mangueira de água esticando desde a parte de cima do filtro até ao adaptador da ligação da água do produto (ver 4.6.).

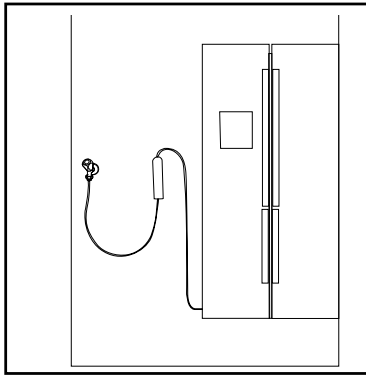


4.9.2. Filtro interno

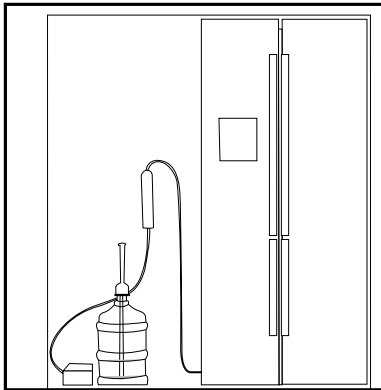
O filtro interno fornecido com o produto não está instalado quando da entrega, deve seguir as instruções abaixo para instalar o mesmo.



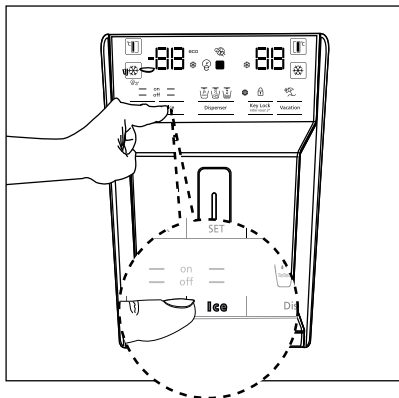
Linha de água:



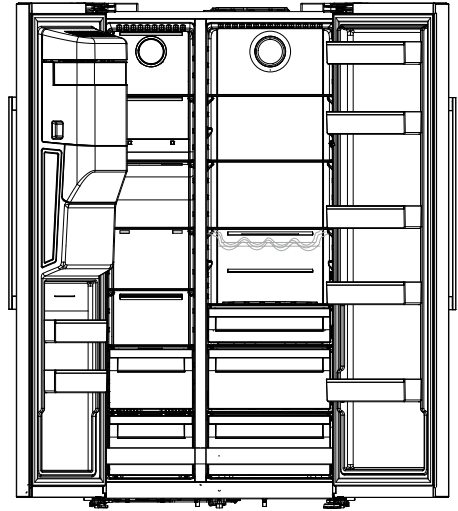
Linha do garrafão de água:



1. O indicador **“Gelo desligado”** tem de estar ativo quando estiver a instalar o filtro. Ligar o indicador **LIGAR-DESLIGAR** usando o botão **“gelo”** no ecrã.



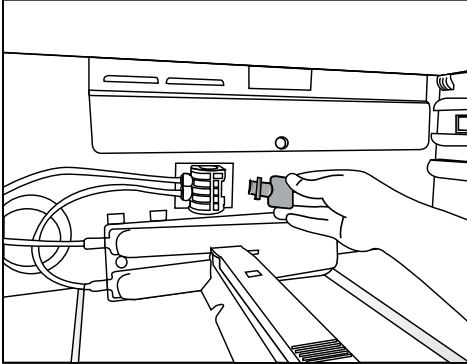
2. Remover o compartimento dos legumes (a) para aceder ao filtro de água. Remover a tampa de retorno do filtro de água puxando a mesma.





Podem cair algumas gotas de água depois de remover a tampa, isso é normal.

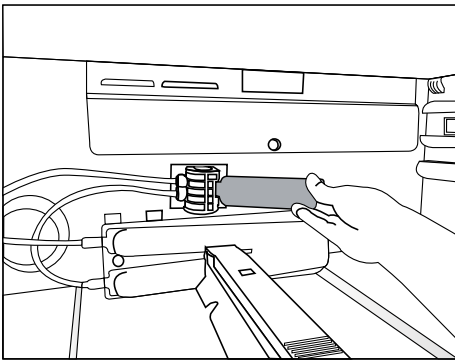
1. Colocar a tampa do filtro de água no mecanismo e empurrar para bloquear na posição.



2. Premir o botão **"Gelo"** no ecrã novamente para cancelar o modo **"Gelo desligado"**.



O filtro de água irá limpar determinadas partículas estranhas na água. Não irá limpar os microrganismos existentes na água.



5 Preparação



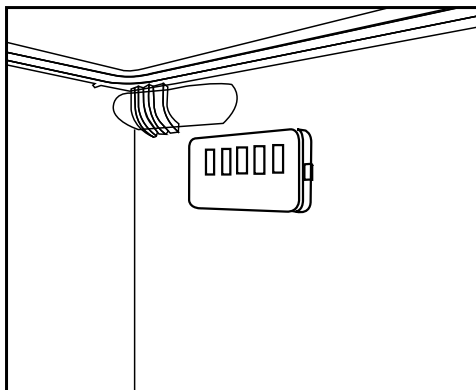
Ler primeiro a secção “Instruções de segurança”!

5.1 O que fazer para poupar energia



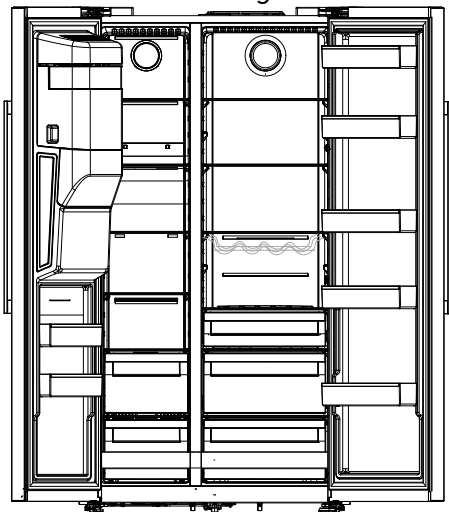
Ligar o produto a sistemas eletrónicos de poupança de energia é prejudicial, pois pode danificar o produto.

- Não mantenha as portas do frigorífico abertas durante longos períodos.
- Não colocar alimentos ou bebidas quentes no frigorífico.
- Não encher demasiado o frigorífico; bloquear o fluxo de ar interior reduzirá a capacidade de arrefecimento.
- Dependendo das características do produto; descongelar alimentos congelados no compartimento refrigerador vai garantir poupança de energia e preservar a qualidade dos alimentos.
- Os alimentos devem ser armazenados nas gavetas do compartimento refrigerador, de forma a garantir a poupança de energia e proteger os alimentos em melhores condições.
- Assegurar que os alimentos não ficam em contacto com o sensor de temperatura do compartimento refrigerador descrito abaixo.
- Dado que o ar húmido e quente não irá penetrar diretamente no seu produto quando as portas não estão abertas, o seu produto irá otimizar-se em condições suficientes para proteger os seus alimentos. Nesta função de poupança de energia, as funções e os componentes tais como compressor, ventilador, aquecedor, descongelador, iluminação, visor, etc. irão funcionar de acordo com as necessidades para consumir o mínimo de energia nestas circunstâncias.



5 Preparação

- No caso de existirem várias opções, as prateleiras de vidro devem ser colocadas de forma a que as saídas de ar na parede posterior não fiquem bloqueadas, de preferência que as saídas de ar fiquem abaixo da prateleira de vidro. Esta combinação pode ajudar a melhorar a distribuição do ar e a eficiência energética.



Será ouvido um som quando o compressor for acionado. É normal ouvir sons mesmo com o compressor inativo, devido aos líquidos e gases comprimidos no sistema de arrefecimento.



É normal que as arestas da frente do frigorífico fiquem quentes. Estas áreas são concebidas para aquecer para impedir a condensação.



Em alguns modelos, o painel indicador desliga automaticamente 1 minuto depois de a porta fechar. Será reativado quando a porta for aberta ou qualquer botão for premido.

5.2 Primeiro funcionamento

Antes de utilizar o seu frigorífico, assegurar que os preparativos necessários são feitos de acordo com as instruções em "Instruções de segurança e meio ambiente" e as secções da "Instalação".

- Manter o produto a funcionar sem colocar quaisquer alimentos durante 12 horas e não abrir a porta, a menos que seja absolutamente necessário.

6 Colocar o produto em funcionamento

6.1 Pausar o programa



Ler primeiro a secção
“Instruções de segurança”!

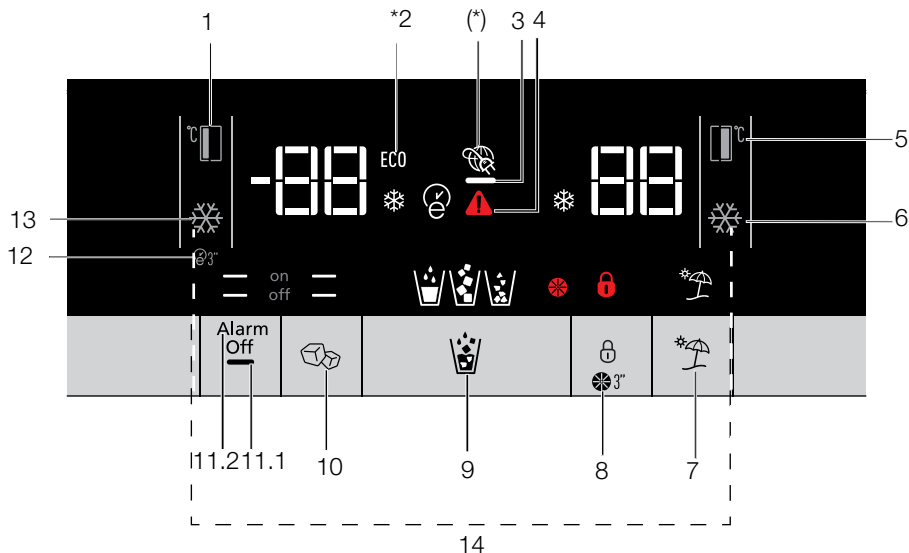
- Não usar nenhuma ferramenta mecânica ou qualquer outra ferramenta diferente das recomendações do fabricante para acelerar a operação de descongelamento.
- Não usar peças do frigorífico, tais como a porta ou gavetas, como apoio ou degrau. Isto pode fazer com que o produto tombe ou que os componentes fiquem danificados.
- O produto deve ser usado apenas para armazenar alimentos.
- Fechar a válvula de água se for ficar longe de casa (por ex., nas férias) e não for usar o gerador de gelo ou o dispensador de água durante um longo período de tempo. Caso contrário, podem ocorrer fugas de água.
- Se não usar o produto durante um longo período;
 - - desligar da ficha,
 - - retirar os alimentos para evitar odores,
 - - esperar até que o gelo esteja descongelado,
 - - limpar o interior e esperar até que esteja seco.
 - - deixar as portas abertas para evitar danos nos plásticos interiores da estrutura.

6 Funcionamento do produto

Leia primeiro a secção “Instruções de segurança”!

6.2 Painel indicador

Os painéis indicadores podem variar dependendo do modelo do seu produto. As funções sonoras e visuais do painel indicador ajudarão a usar o frigorífico.



- | | |
|--|--|
| <ol style="list-style-type: none"> 1. Definição da temperatura do compartimento do congelador 2. Modo Economia 3. Função de poupança de energia (visor desligado) 4. Indicador de falha de energia / temperatura elevada / aviso de erro 5. Definição da temperatura do compartimento do frigorífico 6. Refrigeração rápida 7. Função “Vacation” (Férias) 8. Bloqueio do teclado /cancelamento do alerta de substituição do filtro | <ol style="list-style-type: none"> 9. Seleção de água, gelo picado, cubos de gelo 10. Fazer gelo on/off (ligado/desligado)/ Visor on/off (ligado/desligado) 11. Visor on/off (ligado/desligado) / Aviso de alarme desligado 12. Autoeco 13. Congelação rápida 14. Conversão Celsius/Fahrenheit |
|--|--|

Pode não estar disponível em todos os modelos

***Opcional:** As imagens neste guia do utilizador são esquemáticas e podem não coincidir exatamente com o seu produto. Se o seu produto não incluir peças relevantes, a informação diz respeito a outros modelos.

1. Definição da temperatura do compartimento do congelador

Pressionar o botão (❄️) permitirá que coloque a temperatura do compartimento do congelador a -18,-19,-20,-21,-22,-23,-24,-18...

2. Modo Economia

Indica que o frigorífico está a funcionar em modo de poupança de energia. Este indicador estará ativo se a temperatura do compartimento do congelador estiver ajustada para -18 ou se o arrefecimento com poupança de energia estiver a ser realizado através da função Eco-Extra. (ECO)

3. Função de poupança de energia (visor desligado)

Se as portas do produto forem mantidas fechadas durante muito tempo, a função de poupança de energia é automaticamente ativada e o símbolo respetivo de poupança de energia ficará aceso. Quando é ativada a função de poupança de energia, todos os símbolos no visor, para além do símbolo de poupança de energia, se desligarão. Quando a função de poupança de energia é ativada, se nenhum botão for pressionado ou se a porta estiver aberta, a função de economia de energia será cancelada e os símbolos no visor irão voltar ao normal.

A função de poupança de energia é ativada durante a entrega da fábrica e não pode ser cancelada.

4. Indicador de falha de energia / temperatura elevada / aviso de erro

Este indicador (⚠️) acender-se-á no caso de falhas de temperatura ou de alertas de falha. Se vir que este indicador está aceso, por favor veja a secção deste guia denominada "soluções recomendadas para problemas".

Este indicador acende-se durante falhas de energia, falhas devidas a alta temperatura e avisos de

erro. Durante falhas de energia continuadas, a temperatura mais alta que o compartimento do congelador alcançar piscará no mostrador digital. Depois de verificar os alimentos localizados no compartimento do congelador pressione o botão de desligar o alarme para eliminar o aviso.

5. Definição da temperatura do compartimento do frigorífico

Depois de pressionar o botão (🌡️), a temperatura do compartimento do frigorífico pode ser definida como 8,7,6,5,4,3,2... respetivamente.

6. Refrigeração rápida

Para uma refrigeração rápida, pressione o botão: isto irá ativar o indicador de refrigeração rápida (❄️). Prima novamente este botão para desativar esta função.

Use esta função ao colocar alimentos frescos no compartimento do frigorífico ou para arrefecer rapidamente os mesmos. Quando esta função estiver ativa, o seu frigorífico funcionará durante 1 hora sem interrupção.

7. Função "Vacation" (Férias)

Quando a função "Vacation" (☂️) estiver ativa, o indicador de temperatura do compartimento do frigorífico apresentará o símbolo "- -" e nenhum processo de arrefecimento ficará ativo no compartimento do frigorífico. Esta função não é adequada se tiver alimentos no compartimento do frigorífico. Os outros compartimentos permanecerão arrefecidos à temperatura respetiva que foi definida para cada compartimento. Pressione novamente o botão da função "Vacation" (Férias), para cancelar esta função. (☂️)

8. Bloqueio do teclado /Bloqueio do teclado / cancelamento do alerta de substituição do filtro

Prima o botão de bloqueio do teclado (🔒) para ativar o bloqueio do mesmo. Pode também usar esta função para evitar alterações fortuitas das definições de temperatura do frigorífico. O filtro do frigorífico deve ser substituído a cada 6 meses. Mantenha premido o botão (🌸) durante 3 segundos para desligar a luz de alerta de filtro.

9. Seleção de água, gelo picado, cubos de gelo

Navegue pelas opções de água (🍵), cubos de gelo (🧊) e gelo picado (🧊) usando o botão número 8. O indicador ativo manter-se-á aceso.

10. Fazer gelo on/off (ligado/desligado)

Pressione o botão (🧊) para cancelar (off —) ou ativar a (on —) produção de gelo.

11.1 Visor on/off (ligado/desligado)

Pressione o botão (— off) para cancelar (XX) ou ativar (— on) o visor on/off (ligado/desligado).

11.2 Aviso de alarme desligado

Em caso de alarme de falha de energia/ temperatura elevada, depois de verificar os alimentos localizados no compartimento do congelador pressione o botão de desligar para eliminar o aviso.

12. Autoeco

Pressione o botão eco (🌱) durante três segundos para ativar esta função. Se a porta do compartimento do frigorífico for mantida fechada durante muito tempo quando esta função está ativada, a secção do frigorífico mudará para o modo de funcionamento económico. Prima novamente o botão para desativar esta função.

O indicador acender-se-á após 6 horas quando a função eco está ativa.

(🌱)

13. Congelação rápida

Para uma congelação rápida, pressione o botão; isto irá ativar o indicador de congelação rápida (❄️).

Quando a função de congelação rápida está ligada, o indicador respetivo acender-se-á e o indicador de temperatura do compartimento do congelador apresentará o valor -27. Pressione o botão de Congelamento rápido (❄️) novamente para cancelar esta função. O indicador de Congelação rápida desligará e voltará às suas definições normais. A função de congelação rápida será automaticamente cancelada após 24 hora, a não ser que seja cancelada pelo utilizador antes disso. Para congelar uma grande quantidade de alimentos frescos, pressione o botão de congelação rápida antes de colocar os alimentos no compartimento do congelador.

14. Conversão Celsius/Fahrenheit

Os valores da temperatura podem ser convertidos entre Celsius e Fahrenheit premindo a tecla de congelação rápida (❄️) e a tecla de refrigeração rápida (❄️) 3 segundos

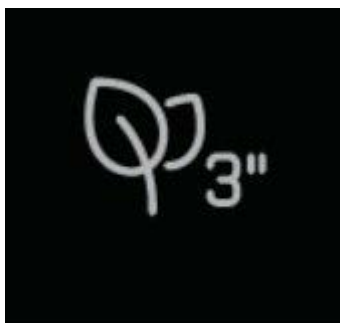
6.3 Módulo desodorizante

(OdourFresh +)

***Pode não estar disponível em todos os modelos**

O módulo desodorizante elimina rapidamente os maus cheiros no seu frigorífico antes de serem absorvidos pelas superfícies. Graças a este módulo, que está colocado no teto do compartimento de alimentos frescos, os maus odores dissolvem-se enquanto o ar é passado ativamente no filtro de odores, depois o ar que foi limpo pelo filtro é novamente enviado para o compartimento de alimentos frescos. Desta forma, os odores não desejados que podem surgir durante o armazenamento dos alimentos no frigorífico são eliminados antes de serem absorvidos pelas superfícies. Isto é obtido graças ao ventilador, ao LED e ao filtro de odores integrados no módulo.

Quando quiser usar o módulo desodorizante, deve ativá-lo a partir do botão do indicador.



6.4 Gaveta para legumes com humidade controlada (FreSHelf)

(Esta característica é opcional)

Graças à gaveta para legumes com humidade controlada, frutos e legumes podem ser armazenados durante mais tempo num ambiente com condições de humidade ideais. Com o sistema de definição da temperatura com 3 opções na frente da gaveta para legumes, pode controlar a humidade no interior do compartimento dependendo do alimento que armazenar. Recomendamos que armazene os seus alimentos selecionando a opção de legumes quando armazenar apenas legumes, a opção de frutas quando armazenar apenas frutas e a opção mista quando armazenar alimentos mistos.

Recomendamos que as frutas e legumes não devam ser armazenados em sacos para melhorar o período de armazenamento dos alimentos e para melhor beneficiar do sistema de controlo de humidade. Deixá-los em sacos plásticos faz com que os legumes apodreçam em pouco tempo. Recomendamos que pepinos e brócolos, em particular, não sejam armazenados em sacos fechados. Nas situações em que o contacto com outros legumes não é preferido, use materiais de embalagem como o papel que apresenta um determinado nível de porosidade em termos de higiene.

Ao colocar os legumes, colocar os pesados e duros na parte inferior e os leves e macios na parte superior, tendo em consideração os pesos específicos dos legumes.

Não colocar frutas que têm uma alta produção de gás etileno, tais como pera, damasco, pêssego e principalmente maçã, na mesma gaveta para legumes com outros legumes e frutas. O gás etileno que sai destes frutos pode ser a causa de outros legumes e frutas amadureçam mais rápido e apodreçam em um curto período de tempo.

6.5 Blue light/ Tecnologia Vitamin Care

***Pode não estar disponível em todos os modelos**

Para a Blue Light,

as frutas e vegetais armazenados nos compartimentos que são iluminados com a luz azul continuam a sua fotossíntese por meio do efeito do comprimento de onda da luz azul e, assim, preservam por mais tempo o seu conteúdo de vitamina C.

Para a VitaminCare+,

as frutas e legumes armazenados em compartimentos iluminados com a tecnologia VitaminCare+ preservam por mais tempo suas vitaminas A e C, graças aos ciclos de luz azul, verde, vermelha e escuro, que simulam um ciclo diurno.

Com esta tecnologia, pode manter as suas frutas e legumes saborosos e saudáveis por mais tempo, que ajuda a minimizar o desperdício de alimentos em casa.

Se abrir a porta do frigorífico durante o período escuro da tecnologia VitaminCare+, o frigorífico irá automaticamente detectar e ativar a luz azul, verde ou vermelha para iluminar o compartimento para a sua conveniência. Depois de fechar a porta do frigorífico, o período escuro continuará, representando a noite num ciclo diurno.

ENG

ES

SV

NR

FI

DA

PT

EL

6.6 Usar o dispensador de água 2-

Libertar a alavanca depois de encher o copo com água como pretender.

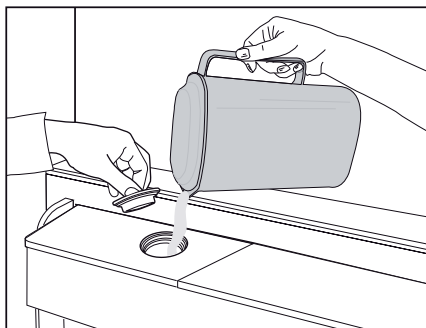
(Esta característica é opcional)



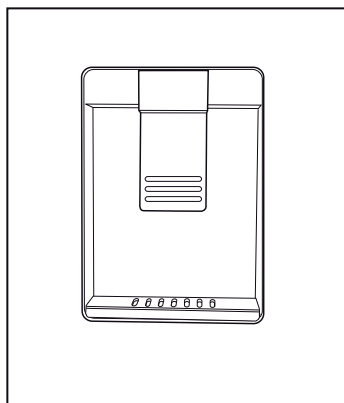
A água dos primeiros copos retirados do dispensador, normalmente estará quente.



Se o dispensador não for usado durante muito tempo, eliminar os primeiros copos de água para obter água limpa.

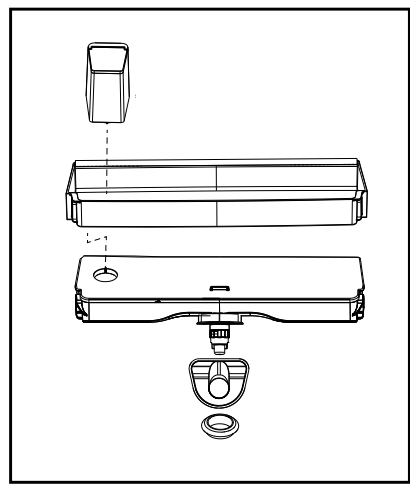
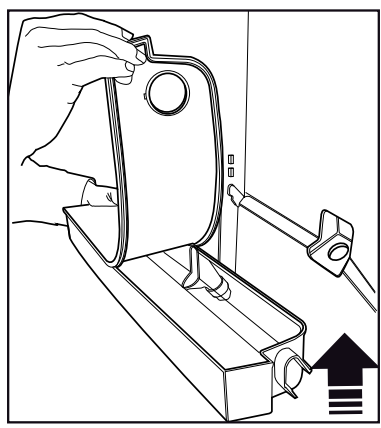
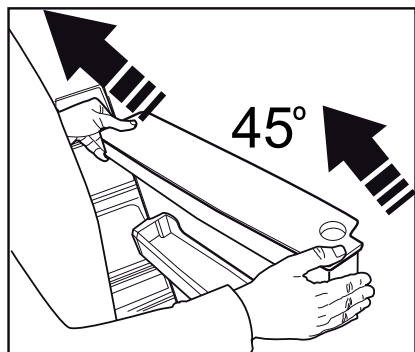
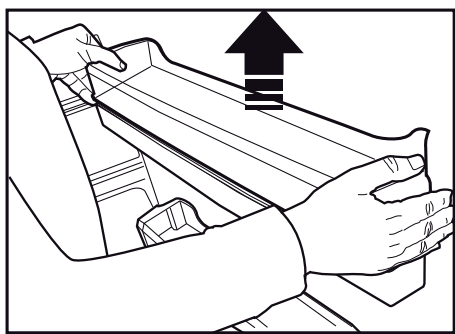


- 1- Empurrar a alavanca do dispensador de água com o seu copo. Seria mais fácil para empurrar a alavanca com a mão se estiver a usar um copo de plástico macio.




6.7 Encher o reservatório de água do dispensador

Abrir a tampa do reservatório de água como mostrado na figura. Encher com água potável pura e limpa. Fechar a tampa.



6.8 Limpar o reservatório de água

Remover o reservatório de enchimento de água no interior da prateleira da porta. Retirar segurando os dois lados da prateleira da porta. Segurar dos dois lados do reservatório de água e retirá-lo num ângulo de 45°. Retirar e limpar a tampa do reservatório de água.



Não encher o reservatório de água com sumo de fruta, bebidas com gás, bebidas alcoólicas ou quaisquer outros líquidos incompatíveis para uso no dispensador de água. Usar tais líquidos irá provocar avarias e danos irreparáveis no dispensador de água. Usar o dispensador desta forma não está no âmbito da garantia. Certos produtos químicos e aditivos nas bebidas/líquidos podem causar danos materiais ao reservatório de água.



Os componentes do reservatório e do dispensador de água não podem ser lavados em máquinas de lavar louça.



Os componentes do depósito de água e do dispensador de água não podem ser lavados na máquina de lavar louça.

6.12 Filtro de odores

(Esta característica é opcional)

O filtro de odores na conduta de ar do compartimento refrigerador evitará a formação de odores indesejáveis.

6.9 Compartimento de laticínios (armazenamento frio)

***Pode não estar disponível em todos os modelos**

“O compartimento de laticínios (armazenamento frio)” fornece temperatura mais baixa no compartimento refrigerador. Usar este compartimento para armazenamento de charcutaria (salame, salsichas, produtos lácteos e etc.) que necessitam de temperatura de armazenagem mais baixa, ou produtos de carne, frango ou peixe para consumo imediato. Não armazenar frutas e legumes neste compartimento.

6.10 Gaveta para legumes

O compartimento de legumes do frigorífico foi projetado para manter os alimentos frescos, preservando a humidade. Para este efeito, a circulação de ar fria é intensificada de um modo geral em volta do compartimento para legumes. Manter as frutas e legumes neste compartimento. Manter os frescos de folhas verdes e as frutas separadamente para lhes prolongar a vida.

6.11 Ionizador

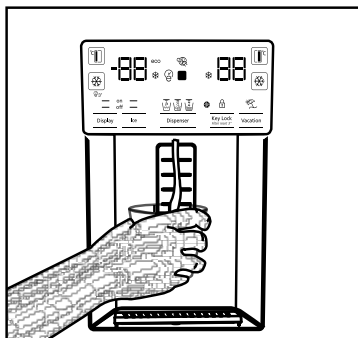
(Esta característica é opcional)

O sistema ionizador na conduta de ar do compartimento refrigerador serve para ionizar o ar. As emissões de íons negativos eliminarão bactérias e outras moléculas que causam odores no ar.

6.13 Tirar gelo / água

(Opcional)

Para obter (☐) / cubo de gelo (☐) / gelo partido (☐), usar o visor para selecionar a opção respectiva. Obter água/gelo tocando no acionador na parte da frente do dispensador de água. Quando mudar das opções cubo de gelo (☐) / gelo partido (☐), o tipo de gelo anterior pode ser distribuído mais algumas vezes.



- Tem de esperar aproximadamente 12 horas antes de retirar gelo do dispensador de gelo/água pela primeira vez. O dispensador pode não distribuir gelo se houver gelo insuficiente na caixa do gelo.
- Os 30 cubos de gelo (3-4 litros) obtidos depois do primeiro funcionamento não devem ser usados.
- No caso de interrupção de energia ou de uma mau funcionamento temporário, o gelo pode derreter parcialmente e voltar a congelar. Isto irá provocar que os cubos de gelo se colem uns aos outros. No caso de uma interrupção de energia ou de um mau funcionamento prolongados, o gelo pode derreter e a água vazar. Se tiver este problema, remover a caixa do gelo e limpar a mesma.



ADVERTÊNCIA:

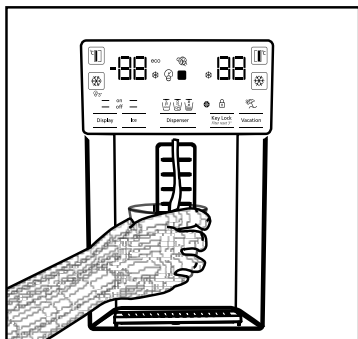
O sistema de água do produto deve estar ligado apenas à canalização da água fria. Não ligar à canalização da água quente.

- O produto pode não descarregar água durante o primeiro funcionamento. Isto é provocado pela existência de ar no sistema. O ar no sistema deve ser descarregado. Para fazer isto, empurrar o acionador do dispensador de água durante 1-2 minutos até que o mesmo descarregue água. O fluxo inicial de água pode ser irregular. A água irá fluir normalmente assim que o ar no sistema for descarregado.
- A água pode estar turva durante a primeira utilização do filtro, não consumir os primeiros 10 copos de água.
- Tem de aguardar aproximadamente 12 horas para obter água fria após a instalação.
- O sistema de água do produto é destinado apenas para água não poluída. Não usar para outras bebidas.
- É recomendado desligar o fornecimento de água se o produto não for utilizado durante um longo período de tempo, durante as férias, etc.
- Se o dispensador de água não for usado durante um longo período de tempo, os primeiros 1-2 copos de água obtidos podem estar quentes.

6.14 Tirar gelo / água

(Opcional)

Para obter (🧊) / cubo de gelo (🧊) / gelo partido (🧊), usar o visor para selecionar a opção respectiva. Obter água/gelo tocando no acionador na parte da frente do dispensador de água. Quando mudar das opções cubo de gelo (🧊) / gelo partido (🧊), o tipo de gelo anterior pode ser distribuído mais algumas vezes.



- Tem de esperar aproximadamente 12 horas antes de retirar gelo do dispensador de gelo/água pela primeira vez. O dispensador pode não distribuir gelo se houver gelo insuficiente na caixa do gelo.
- Os 30 cubos de gelo (3-4 litros) obtidos depois do primeiro funcionamento não devem ser usados.
- No caso de interrupção de energia ou de uma mau funcionamento temporário, o gelo pode derreter parcialmente e voltar a congelar. Isto irá provocar que os cubos de gelo se colem uns aos outros. No caso de uma interrupção de energia ou de um mau funcionamento prolongados, o gelo pode derreter e a água vazar. Se tiver este problema, remover a caixa do gelo e limpar a mesma.



ADVERTÊNCIA:

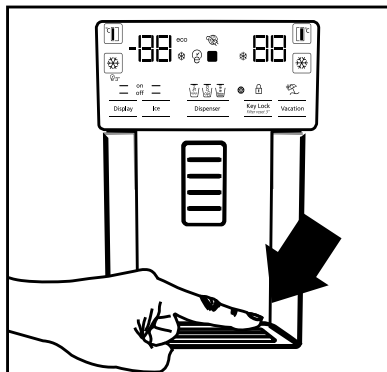
O sistema de água do produto deve estar ligado apenas à canalização da água fria. Não ligar à canalização da água quente.

- O produto pode não descarregar água durante o primeiro funcionamento. Isto é provocado pela existência de ar no sistema. O ar no sistema deve ser descarregado. Para fazer isto, empurrar o acionador do dispensador de água durante 1-2 minutos até que o mesmo descarregue água. O fluxo inicial de água pode ser irregular. A água irá fluir normalmente assim que o ar no sistema for descarregado.
- A água pode estar turva durante a primeira utilização do filtro, não consumir os primeiros 10 copos de água.
- Tem de aguardar aproximadamente 12 horas para obter água fria após a instalação.
- O sistema de água do produto é destinado apenas para água não poluída. Não usar para outras bebidas.
- É recomendado desligar o fornecimento de água se o produto não for utilizado durante um longo período de tempo, durante as férias, etc.
- Se o dispensador de água não for usado durante um longo período de tempo, os primeiros 1-2 copos de água obtidos podem estar quentes.

6.15 Tabuleiro para pingos

(opcional)

A água que pinga do dispensador de água acumula-se no tabuleiro para pingos, não existe escoamento de água. Puxar o tabuleiro para pingos para fora ou premir os rebordos para remover o tabuleiro. Pode então esvaziar a água que está dentro do tabuleiro para pingos.



6.16 Gerador de gelo

(Opcional)

O gerador de gelo encontra-se localizado na secção superior da tampa do congelador. Segurar nas pegs laterais do reservatório do stock de gelo e mover para cima para remover. Remover a tampa decorativa do gerador de gelo movendo a mesma para cima.

FUNCIONAMENTO

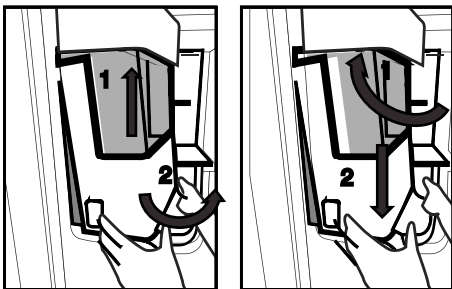
Para remover o reservatório do gelo

Segurar no reservatório do stock de gelo pelas pegs, depois mover para cima e puxar o mesmo. (Figura 1)

Para voltar a colocar o reservatório do gelo

Segurar o reservatório do gelo pelas pegs, mover para cima num ângulo para que encaixe nas partes laterais do reservatório nas ranhuras do mesmo para garantir que o pino do seletor do gelo fique montado corretamente. (Figura 2)

Empurrar para baixo com firmeza, até que não exista espaço algum entre o reservatório e o plástico da porta. (Figura 2)



Quando o dispensador de gelo não funciona corretamente

Se não remover os cubos de gelo durante um longo período de tempo, os mesmos irão provocar a formação de pedaços de gelo. Neste caso, deve remover o reservatório do stock de gelo de acordo com as instruções dadas acima, separar os pedaços de gelo, eliminar o gelo que não é possível separar e colocar os cubos de gelo de volta no reservatório do stock de gelo. [Figura 2]

Se tiver dificuldade em voltar a colocar o reservatório, deve rodar a engrenagem rotativa 90° e voltar a colocar conforme mostrado na figura 3.

Qualquer som que possa ouvir quando o gelo cai para dentro do reservatório faz parte do funcionamento normal.

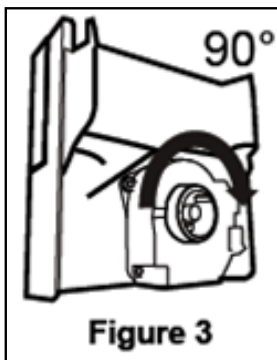


Figure 3

Quando o dispensador de gelo não funciona corretamente

Se não remover os cubos de gelo durante um longo período de tempo, os mesmos irão provocar a formação de pedaços de gelo. Neste caso, deve remover o reservatório do stock de gelo de acordo com as instruções dadas acima, separar os pedaços de gelo, eliminar o gelo que não é possível separar e colocar os cubos de gelo de volta no reservatório do stock de gelo. [Figura 4]

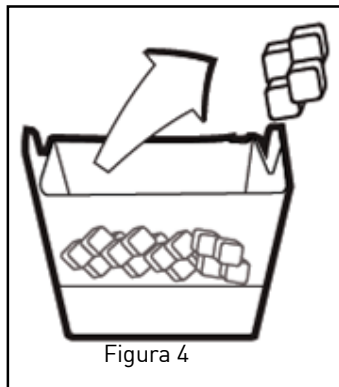


Figura 4

Quando o gelo não sair, verificar se está algum gelo a obstruir o canal e remover o mesmo. Verificar o canal do gelo com regularidade para remover os obstáculos conforme mostrado na figura 5.



Figure 5

Figura 5

Quando estiver a usar o seu frigorífico pela primeira vez ou quando não usar o mesmo durante um longo período de tempo, os cubos de gelo podem estar pequenos devido ao ar na tubagem após a ligação, qualquer ar será purgado durante a utilização normal. Eliminar o gelo produzido durante aproximadamente um dia uma vez que a tubagem da água pode conter contaminantes.

Cuidado!

Não inserir a mão ou qualquer outro objeto no canal do gelo e na lâmina uma vez que pode danificar as peças ou magoar a mão.

Não deixar que as crianças se pendurem no dispensador de gelo ou no geral de gelo uma vez que isso pode provocar lesões

Para impedir que o reservatório do stock de gelo caia usar as duas mãos para o remover. Se fechar a porta com intensidade, isso pode provocar pingos de água por cima do reservatório do stock de gelo.

Não desmontar o reservatório do stock de gelo exceto se for necessário.

Se houver um bloqueio (o gelo não sai do frigorífico) enquanto estiver a tirar gelo partido, tentar tirar o gelo em cubos.

Depois será adequado para tirar de novo o gelo partido.

Quando estiver a tirar gelo partido, o gelo em cubos pode sair primeiro. Pode existir a possibilidade de sair o gelo em cubos quando tiver a tirar o gelo partido.

Operar a porta do congelador na parte da frente do gerador de gelo pode criar uma ligeira névoa e camada de película.

Isso é normal, é recomendado limpar sem aguardar durante demasiado tempo.

A zona inferior do dispensador de água enche-se de água com o decorrer do tempo. É recomendado limpar periodicamente a água nesta zona.

Enquanto o gelo cai do reservatório de armazenamento do gelo, o som é normal e não

indica que o produto está com algum problema.

O mecanismo da lâmina dentro do banco de gelo é afiado e pode cortar a sua mão.

O dispensador de gelo não fornece gelo, o gelo pode estar bloqueado junto, remover o depósito e limpar o mesmo novamente.

O tipo de gelo não pode ser alterado no visor quando o acionador do gelo for premido para obter gelo. Libertar o acionador, alterar o tipo de gelo no visor e obter novamente gelo.

ENG

ES

SV

NR

FI

DA

PT

EL

6.17 Congelar alimentos frescos

- Para preservar a qualidade dos alimentos, os alimentos colocados no compartimento de congelação devem ser congelados tão rápido quanto possível, usar a congelação rápida para isto.
- Para congelar uma grande quantidade de alimentos frescos, premir o botão congelação rápida 24 horas antes de colocar os alimentos no compartimento de congelação.
- Congelar os alimentos quando frescos ampliará o tempo de armazenagem no compartimento congelador.
- Embalar os alimentos em embalagens herméticas e firmemente seladas.
- Assegurar que os alimentos são embalados antes de os colocar no congelador. Usar recipientes para congelamento, papel de alumínio e papel à prova de humidade, sacos de plástico ou materiais de embalagem semelhantes, em vez do papel de embalagem tradicional.
- Marcar cada embalagem de alimentos escrevendo a data na embalagem antes de congelar. Isto vai permitir-lhe determinar a frescura de cada embalagem sempre que o congelador for aberto. Manter os primeiros alimentos à frente para garantir que são usados primeiro.
- Os alimentos congelados devem ser consumidos imediatamente após descongelar e não devem ser congelados de novo.
- Não congelar grandes quantidades de alimentos de uma só vez.

Definições do Compartimento Congelador	Definições do Compartimento Refrigerador	Descrições
-18°C	4°C	Isto é por defeito, definições recomendadas.
-20,-22 ou -24°C	4°C	Estas definições são recomendadas para temperaturas ambientes excedendo 30°C.
Congelação rápida	4°C	Premir a função Congelação rápida 24 horas antes de colocar os alimentos, o produto voltará às definições anteriores quando o processo for concluído.
-18°C ou mais frio	2°C	Usar estas definições, se acredita que o compartimento de refrigeração não está frio o suficiente devido à temperatura ambiente ou a abertura frequente da porta.

6.18 Recomendações para armazenar alimentos frescos

O compartimento deve ser definido para pelo menos -18 °C.

1. Colocar os alimentos no congelador o mais rápido possível para evitar que descongelem.
2. Antes de congelar, verificar a “Data de Validade” na embalagem para assegurar que não expirou.
3. Assegurar que a embalagem do alimento não está danificada.

6.19 Detalhes de congelador

De acordo com as normas IEC 62552, o congelador deve ter a capacidade de congelar 4,5 kg de itens alimentares a -18 °C ou temperaturas mais baixas em 24 horas por cada 100 litros do volume do compartimento do congelador. Os itens alimentares só podem ser preservados por períodos prolongados a ou abaixo da temperatura de -18 °C. Pode manter os alimentos frescos durante meses (no congelador a temperaturas de ou abaixo de 18 °C).

Os itens alimentares a congelar não devem entrar em contacto com os alimentos já congelados no seu interior para evitar uma descongelação parcial. Ferver os legumes e filtrar a água para aumentar o tempo de armazenamento congelado. Colocar os alimentos em embalagens a vácuo após a filtragem e colocar no congelador. Bananas, tomates, alface, aipo, ovos cozidos, batatas e alimentos semelhantes não devem ser congelados. Congelar estes alimentos simplesmente reduzirá o valor nutricional e a qualidade do alimento, assim como a possível deterioração, que é prejudicial à saúde.

6.20 Colocar os alimentos

Prateleiras do compartimento congelador	Vários produtos congelados, incluindo carne, peixe, gelado, legumes, etc.
Prateleiras do compartimento refrigerador	Alimentos dentro de recipientes, prato com tampa e caixas com tampa, ovos (em caixa com tampa)
Prateleiras da porta do compartimento refrigerador	Alimentos pequenos e embalados ou bebidas
Compartimento para legumes	Frutas e legumes
Compartimento de alimentos frescos	Charcutaria (pequeno almoço, produtos de carne consumidos a curto prazo)

6.21 Alerta de porta aberta

(Esta característica é opcional)

Um alerta sonoro será ouvido se a porta do produto permanecer aberta durante 1,5 minuto. O alerta sonoro parará quando a porta for fechada ou qualquer botão no visor (se disponível) for premido.

6.22 Lâmpada de iluminação

A luz interior usa uma lâmpada tipo LED. Contactar a assistência autorizada para qualquer problema com esta lâmpada.

A(s) lâmpada(s) usada(s) neste aparelho não pode(m) ser usada(s) para iluminação doméstica. O uso pretendido desta lâmpada é ajudar o utilizador a colocar alimentos no frigorífico/ congelador com segurança e conforto.

7 Manutenção e limpeza



ADVERTÊNCIA: Ler primeiro a secção "Instruções de segurança"!



ADVERTÊNCIA: Desligar o frigorífico da ficha antes de o limpar.

- Não usar ferramentas afiadas ou abrasivas para limpar o produto. Não usar materiais tais como produtos de limpeza doméstica, detergentes, sabão, gás, gasolina, álcool, cera, etc.
- O pó deve ser retirado da grade de ventilação na parte traseira do produto pelo menos uma vez por ano (sem abrir a tampa). A limpeza deve ser realizada com pano seco.

Para produtos com dispensador de água / máquina de gelo

- Se a água no depósito de água tiver já 2-3 semanas, deve ser substituída.
- O depósito de água e os componentes do dispensador de água não deve ser lavado na máquina de lavar loiça.
- Derreter uma colher de chá de carbonato na água. Humedecer um pano na água e torcer o mesmo. Limpar o aparelho com este pano e secar totalmente.
- Ter cuidado para manter a tampa da lâmpada e outras peças elétricas afastadas da água.
- Limpar a porta com um pano macio e humedecido. Retirar todo o conteúdo para remover as prateleiras da porta e da estrutura. Remover as prateleiras da porta levantando-as para cima. Limpar e secar as prateleiras e, em seguida, voltar a colocá-las no lugar deslizando de cima para baixo.
- Não usar lixívia ou produtos de limpeza na superfície exterior e nas partes revestidas a cromo do produto. A lixívia dá origem a

corrosão nas referidas superfícies metálicas.

- Não usar ferramentas afiadas e abrasivas, sabão, materiais de limpeza doméstica, detergentes, gás, gasolina, verniz e substâncias semelhantes para evitar a deformação da peça de plástico e remoção de impressões na peça. Use água morna e um pano macio para limpar e secar.
- Nos produtos sem a funcionalidade No-Frost, podem ocorrer gotas de água e gelo com a espessura de um dedo na parede traseira do compartimento congelador. Não limpar e nunca aplicar óleos ou soluções similares.
- Usar um pano de microfibra ligeiramente humedecido para limpar a superfície exterior do produto. Esponjas e outros tipos de panos de limpeza podem causar riscos.
- Para limpar todos os componentes amovíveis durante a limpeza da superfície interior do produto, lavar esses componentes com uma solução neutra composta por sabão, água e carbonato. Lavar e secar em profundidade. Evitar o contacto da água com componentes de iluminação e o painel de controlo.



CUIDADO:

Não usar vinagre, álcool isopropílico ou outras soluções de limpeza à base de álcool em qualquer das superfícies interiores.

7.1 Superfícies exteriores de aço inoxidável

Usar um agente de limpeza não abrasivo para aço inoxidável e aplicar com um pano macio que não solte cotão. Para polir, limpar suavemente.

7 Manutenção e limpeza

A superfície com um pano de microfibras embebido com água e usar uma camurça de polimento seca. Deve seguir sempre os veios do aço inoxidável.

7.2 Limpeza odos produtos com portas de vidro

Remover a película de proteção que está sobre o vidro.

Existe um revestimento na superfície do vidro. Este revestimento minimiza a formação de manchas e facilita a limpeza das manchas e sujidades que se formaram. Os vidros que não estão protegidos por revestimento podem ser expostos ao contacto permanente de matérias poluentes orgânicas ou inorgânicas, ar e contaminação à base de água tais como calcário, sais minerais, hidrocarbonetos não queimados, óxidos metálicos e silicones, que facilmente em curto período de tempo provocam manchas e danos físicos. Manter os vidros limpos torna-se muito difícil, senão impossível, apesar de serem limpos regularmente. Como resultado, a transparência e a aparência do vidro deterioram-se. Métodos e agentes de limpeza duros e abrasivos aumentam ainda mais esses defeitos e aceleram o processo de deterioração.

Para processos de limpeza de rotina, *devem ser usados produtos de limpeza não alcalinos e não corrosivos à base de água.

Para ter uma vida útil mais longa deste revestimento, não devem ser usadas substâncias alcalinas e corrosivas durante a limpeza.

É aplicado um processo de têmpera para aumentar a resistência desses vidros contra impactos e quebra.

Como precaução adicional de segurança, foi aplicado um filme de segurança na superfície traseira desses vidros para evitar danos ao meio ambiente em caso de quebra.

7.3 Evitar odores

O produto é fabricado livre de quaisquer materiais odoríferos. No entanto, manter

os alimentos em secções inadequadas e a limpeza inadequada das superfícies interiores pode causar odores.

Para evitar isto, limpar o interior com água carbonatada a cada 15 dias.

- Manter os alimentos em recipientes fechados. Os microrganismos podem espalhar-se de alimentos não selados e causar mau cheiro.
- Não manter alimentos expirados e estragados no frigorífico.



O chá é um dos removedores de odor mais eficazes. Colocar a polpa do chá pronto no produto dentro de um recipiente aberto e retirar após 12 horas, no máximo. Se mantiver a polpa de chá no interior do produto durante mais de 12 horas, irá recolher os organismos que causam o odor, portanto pode ser a própria fonte do odor.

7.4 Proteger superfícies de plástico

Óleo derramado sobre superfícies de plástico pode danificar a superfície e deve ser limpo imediatamente com água morna.

8. Resolução de problemas

Verificar a lista antes de contactar a assistência. Fazer isto poupa-lhe tempo e dinheiro. Esta lista inclui queixas frequentes que não estão relacionadas com o fabrico ou materiais defeituosos. Certas características mencionadas neste documento podem não ser aplicáveis ao seu produto.

O frigorífico não está a funcionar.

- A ficha de alimentação não está totalmente ajustada. >>> Ligá-la para a ajustar completamente à tomada.
- O fusível ligado à tomada de ligação do produto ou o fusível principal está queimado. >>> Verificar os fusíveis.

Condensação na parede lateral do compartimento refrigerador (ZONA MÚLTIPLA, ZONA DE FRESCOS, CONTROLO e FLEXIVEL).

- A porta é aberta com muita frequência >>> Ter cuidado para não abrir a porta do produto tão frequentemente.
- O ambiente está demasiado húmido. >>> Não instalar o produto em ambientes húmidos.
- Alimentos contendo líquidos estão colocados em recipientes não fechados. >>> Manter os alimentos contendo líquidos em recipientes fechados.
- A porta do produto foi deixada aberta. >>> Não manter a porta do produto aberta por períodos longos.
- O termostato está definido para temperatura demasiado baixa. >>> Definir o termostato para temperatura adequada.

O compressor não está a funcionar.

- Em caso de falta de energia repentina ou retirar a ficha de alimentação e colocar de novo, a pressão do gás no sistema de refrigeração do produto não é equilibrada, o que desencadeia a salvaguarda térmica do compressor. O produto voltará a ligar-se depois de aproximadamente 6 minutos. Se o produto não se voltar a ligar depois deste período, contactar a assistência.
- Descongelação está activa. >>> Isto é normal para um produto de descongelação totalmente automática. A descongelação é executada periodicamente.
- O produto não está ligado. >>> Assegurar que o cabo de alimentação está ligado.
- A definição de temperatura é incorrecta. >>> Seleccionar a definição de temperatura adequada.
- Não há energia. >>> O produto continuará a funcionar normalmente assim que a energia seja restabelecida.

O ruído de funcionamento do frigorífico aumenta durante a utilização.

- O desempenho de funcionamento do produto pode variar dependendo das variações de temperatura do ambiente. Isto é normal e não é um mau funcionamento.

O frigorífico funciona muito frequentemente ou por muito tempo.

- O novo produto pode ser maior do que o anterior. Produtos maiores funcionam por períodos mais longos.
- A temperatura da sala pode ser elevada. >>> O produto funcionará normalmente por períodos mais longos com temperaturas de sala mais elevadas.
- O produto foi ligado recentemente ou foi colocado no interior um novo alimento. >>> O produto levará mais tempo a atingir a temperatura definida quando recentemente ligado ou quando é colocado um novo alimento no interior. Isto é normal.
- Grandes quantidades de alimentos quentes podem ter sido colocadas recentemente no produto. >>> Não colocar alimentos quentes no produto.
- As portas foram abertas frequentemente ou deixadas abertas por períodos longos. >>> O ar quente que se move no interior fará o produto funcionar mais tempo. Não abrir as portas com demasiada frequência.
- A porta do congelador ou refrigerador pode estar entreaberta. >>> Verificar se as portas estão completamente fechadas.
- O produto pode estar definido para temperatura demasiado baixa. >>> Definir a temperatura para um grau mais elevado e aguardar que o produto atinja a temperatura ajustada.
- A junta da porta do congelador ou refrigerador pode estar suja, desgastada, partida ou não ajustada adequadamente. >>> Limpar ou substituir a junta. A junta da porta danificada / cortada fará o produto funcionar por períodos mais longos para preservar a temperatura actual.

A temperatura do congelador está muito baixa, mas a temperatura do refrigerador é adequada.

- A temperatura do compartimento de congelação está definida para um grau muito baixo. >>> Definir a temperatura do compartimento de congelação para um grau mais elevado e verificar de novo.

A temperatura do refrigerador está muito baixa, mas a temperatura do congelador é adequada.

- A temperatura do compartimento de refrigeração está definida para um grau muito baixo. >>> Definir a temperatura do compartimento de refrigeração para um grau mais elevado e verificar de novo.

Os alimentos guardados em gavetas do compartimento de refrigeração estão congelados.

- A temperatura do compartimento de refrigeração está definida para um grau muito baixo. >>> Definir a temperatura do compartimento de congelação para um grau mais elevado e verificar de novo.

A temperatura no refrigerador ou congelador é demasiado elevada.

- A temperatura do compartimento de refrigeração está definida para um grau muito elevado. >>> A definição de temperatura do compartimento de refrigeração influencia a temperatura do compartimento de congelação. Altere a temperatura do compartimento de refrigeração ou congelação e aguarde até que os referidos compartimentos atinjam o nível de temperatura ajustado.
- As portas foram abertas frequentemente ou deixadas abertas por períodos longos. >>> Não abrir as portas com demasiada frequência.
- A porta pode estar entreaberta. >>> Fechar completamente a porta.
- O produto foi ligado recentemente ou foi colocado no interior um novo alimento. >>> Isto é normal. O produto levará mais tempo a atingir a temperatura definida quando recentemente ligado ou um novo alimento é colocado no interior.
- Grandes quantidades de alimentos quentes podem ter sido colocadas recentemente no produto. >>> Não colocar alimentos quentes no produto.

Vibração ou ruído.

- O chão não está nivelado ou não é resistente. >>> Se o produto vibra quando movido lentamente, ajustar os pés para equilibrar o produto. Assegurar também que o chão é suficientemente resistente para suportar o produto.
- Alguns itens colocados no produto podem causar ruídos. >>> Retirar alguns itens colocados no produto.

O produto está a fazer ruído de líquido a fluir, pulverização, etc.

- Os princípios de funcionamento do produto incluem fluídos líquidos e gasosos. >>> Isto é normal e não um mau funcionamento.

Há som de vento a soprar proveniente do produto.

- O produto usa uma ventoinha no processo de refrigeração. Isto é normal e não é um mau funcionamento.

Há condensação nas paredes internas do produto.

- Meio ambiente quente ou húmido aumentará a formação de gelo e condensação. Isto é normal e não é um mau funcionamento.
- As portas foram abertas frequentemente ou deixadas abertas por períodos longos. Não abrir as portas com demasiada frequência; se aberta, fechar a porta.
- A porta pode estar entreaberta. >>> Fechar completamente a porta.

Há condensação no exterior do produto ou entre as portas.

- O meio ambiente pode estar húmido, isto é perfeitamente normal com tempo húmido. >>> A condensação dissipa quando a humidade diminuir.

O interior cheira mal.

- O produto não é limpo regularmente. >>> Limpar o interior regularmente usando uma esponja, água quente e água com carbonato.
- Alguns recipientes e materiais de embalagem podem provocar odores. >>> Usar recipientes e materiais de embalagem isentos de odor.
- Os alimentos foram colocados em recipientes não vedados. >>> Manter os alimentos em recipientes fechados. Os microrganismos podem disseminar-se dos alimentos não fechados e causar mau cheiro.
- Retirar quaisquer alimentos fora de prazo e estragados do frigorífico.

A porta não está a fechar.

- Embalagens de alimentos podem bloquear a porta. >>> Recolocar quaisquer itens que bloqueiem as portas.
- O produto não está colocado em posição vertical no chão. >>> Ajustar os pés para equilibrar o produto.
- O chão não está nivelado ou não é resistente. >>> Assegurar que o chão é nivelado e suficientemente resistente para suportar o produto.

A gaveta para vegetais está presa.

- Os alimentos podem estar em contacto com a secção superior da gaveta. >>> Reorganizar os alimentos na gaveta.

Se a superfície do produto estiver quente.

- Podem notar-se temperaturas elevadas entre as duas portas, nos painéis laterais e na grelha traseira quando o produto está a funcionar. Esta situação é normal e não exige serviço de manutenção!



RECOMENDAÇÕES:

Se os problemas persistirem depois de seguir as instruções nesta secção, contactar o seu vendedor ou uma Assistência Autorizada. Não tentar reparar o produto.

ISENÇÃO DE RESPONSABILIDADE /ADVERTÊNCIA

Algumas falhas (simples) podem ser tratadas de forma adequada pelo utilizador final sem que surja qualquer problema de segurança ou de utilização não segura, desde que as mesmas sejam solucionadas dentro dos limites e de acordo com as seguintes instruções (consultar a secção “Reparação Autónoma”.

Portanto, exceto se contrariamente autorizado na secção “Reparação Autónoma” abaixo, as reparações devem ser realizadas por profissionais reparadores registados de modo a evitar problemas de segurança. Um reparador profissional registado é um reparador profissional a quem o fabricante concedeu acesso às instruções e à lista de peças de substituição deste produto de acordo com os métodos descritos na lei nos termos da Diretiva 2009/125/CE.

No entanto, apenas o agente de reparação (ou seja, os reparadores profissionais autorizados) com quem pode entrar em contacto através do número de telefone fornecido no manual do utilizador/cartão da garantia ou através do seu revendedor autorizado que pode fornecer serviços de acordo com os termos de garantia. Portanto, deve estar ciente de que as reparações feitas por reparadores profissionais (não autorizados por Grundig) anulam a garantia.

Reparação Autónoma

A reparação autónoma pode ser feita pelo utilizador final em relação à seguintes peças de substituição: porta, manípulos, dobradiças das portas, tabuleiros, cestos e vedantes da porta (é disponibilizada uma lista atualizada em support.grundig.com). a partir de 1 de março de 2021).

Além disso, para garantir a segurança do produto e evitar o risco de ferimentos graves, a reparação autónoma referida deve ser feita seguindo as instruções do manual do utilizador para reparação autónoma ou as que estão disponíveis em support.grundig.com Para sua segurança, deve desligar o produto antes de tentar fazer qualquer reparação autónoma.

As tentativas de reparação feitas pelos utilizadores finais de peças não incluídas na referida lista e/ou não seguindo as instruções nos manuais do utilizador relativamente à mesma ou que se encontram disponíveis em support.grundig.com, podem levantar questões de segurança não atribuíveis a Grundig, e anularão a garantia do produto.

Portanto, é altamente recomendável que os utilizadores finais evitem tentar realizar reparações que não se enquadrem na lista mencionada de peças de substituição, e nesse caso deverão contactar com reparadores profissionais autorizados ou reparadores profissionais registados. Por outro lado, as referidas tentativas por parte dos utilizadores finais podem provocar problemas de segurança e danificar o produto e, subseqüentemente, provocar incêndio, inundação, eletrocussão e ferimentos graves.

Por exemplo, mas não limitado a, as seguintes reparações devem ser realizadas por

Reparadores profissionais autorizados ou registados: compressor, circuito de refrigeração, placa de circuitos, placa do inversor, placa do visor, etc.

O fabricante/vendedor não pode ser responsabilizado em circunstâncias em que os utilizadores finais não cumpram com o acima referido.

A disponibilidade de peças de substituição da frigorífico que comprou é de 10 anos.










Durante este período, as peças de substituição originais estarão disponíveis para operar corretamente a frigorífico.

A duração mínima da garantia do frigorífico que adquiriu é de 24 meses.

Este produto está equipado com uma fonte de iluminação da classe energética "G"

A fonte de iluminação neste produto deve somente ser substituída por reparadores profissionais.

1- Οδηγίες Ασφαλείας 3

-  1.1 Ενδεχόμενη χρήση.....3
-  1.2 - Ασφάλεια για παιδιά, ευπαθή άτομα και κατοικίδια3
-  1.3 - Ασφάλεια χρήσης ηλεκτρικού ρεύματος4
-  1.4 - Ασφάλεια κατά τη μεταφορά..5
-  1.5 - Ασφάλεια κατά την εγκατάσταση.....5
-  1.6 - Ασφάλεια κατά τη λειτουργία .6
-  1.7- Ασφάλεια κατά τη συντήρηση και τον καθαρισμό8
-  1.8- HomeWhiz8
-  1.9- Φωτισμός8

2 Οδηγίες σχετικά με το περιβάλλον 9

- 2.1 Συμμόρφωση με την Οδηγία ΑΗΗΕ και τελική διάθεση του προϊόντος στο τέλος της ωφέλιμης ζωής του:9
- 2.2 Συμμόρφωση με την Οδηγία RoHS9
- 2.3 Πληροφορίες για την συσκευασία.....9

3 Ψυγείο 10

4 Εγκατάσταση 11

- 4.1 Το κατάλληλο μέρος για την εγκατάσταση.....11
- 4.2 Τοποθέτηση των πλαστικών σφηνών.....11
- 4.3 Ρύθμιση των ποδιών12
- 4.4 Ηλεκτρική σύνδεση12
- 4.5 Σύνδεση νερού (Προαίρ.).....14
- 4.6 Σύνδεση του εύκαμπτου σωλήνα νερού στο προϊόν14
- 4.7 Σύνδεση στο δίκτυο νερού (Προαίρ.)..15
- 4.8. Για προϊόντα που χρησιμοποιούν φιάλη νερού (Προαίρ.)16
- 4.9 Φίλτρο νερού (Προαίρ.)17
- 4.9.1. Στερέωση εξωτερικού φίλτρου στον τοίχο (προαίρ.)17
- 4.9.2. Εσωτερικό φίλτρο18

5 Προετοιμασία 20

- 5.1 Τι να κάνετε για να εξοικονομήσετε ενέργεια20
- 5.2 Πρώτη χρήση.....21

6 Χρήση του προϊόντος 22

- 6.1 Απενεργοποίηση του προϊόντος22

6 Λειτουργία του προϊόντος 23

- 6.2 Πίνακας ενδείξεων.....23
- 6.3 Μονάδα εξουδετέρωσης δυσάρεστων οσμών26
- 6.4 Συρτάρι λαχανικών με ελεγχόμενη υγρασία ((FreSHelf+)).....26
- 6.5 Μπλε φωσ/Τεχνολογία Vitamin Care .27
- 6.6 Χρήση του διανομέα νερού (για ορισμένα μοντέλα).....28
- 6.7 Γέμισμα του δοχείου του διανομέα νερού28
- 6.8 Καθαρισμός του δοχείου νερού29
- 6.9 Διαμέρισμα γαλακτοκομικών (έντονης ψύξης)30
- 6.10 Συρτάρι λαχανικών30
- 6.11 Ιονιστής30
- 6.12 Φίλτρο εξουδετέρωσης οσμών30
- 6.13 Icematic και δοχείο αποθήκευσης πάγου30
- 6.14 Λήψη πάγου / νερού (προαίρ.).....31
- 6.16 Παρασκευαστής πάγου (προαίρ.)32
- 6.15 Δίσκος συλλογής σταγόνων (προαίρ.).....32
- 6.17 Κατάψυξη νωπών τροφίμων.....34
- 6.18 Προτάσεις για την αποθήκευση κατεψυγμένων τροφίμων.....35
- 6.19 Λεπτομέρειες βαθιάς κατάψυξης35
- 6.20 Τοποθέτηση των τροφίμων.....36
- 6.21 Ειδοποίηση ανοικτής πόρτας36
- 6.22 Λάμπα φωτισμού36

7 Συντήρηση και καθαρισμός 37

- 7.1 Εξωτερικές επιφάνειες από ανοξείδωτο χάλυβα38
- 7.2 Καθαρισμός των Προϊόντων με γυάλινες πόρτες38
- 7.3 Αποτροπή δυσοσμίας39
- 7.4 Προστασία των πλαστικών επιφανειών39

8 Επίλυση προβλημάτων 40

ENG

ES

SV

NO

Fi

DA

PT

EL


- Αγαπητέ Πελάτη,
- Θα θέλαμε να έχετε τη μέγιστη απόδοση από το προϊόν μας, το οποίο κατασκευάστηκε σε μοντέρνες εγκαταστάσεις με σχολαστικούς ελέγχους ποιότητας.
- Για το σκοπό αυτό, διαβάστε πλήρως τις οδηγίες χρήσης πριν χρησιμοποιήσετε το προϊόν και φυλάξτε τις ως πηγή αναφοράς. Αν παραδώσετε το προϊόν σε άλλο άτομο, παραδώστε μαζί και αυτές τις οδηγίες.






Οι οδηγίες χρήσης διασφαλίζουν τη γρήγορη και ασφαλή χρήση του προϊόντος.

- Διαβάστε τις οδηγίες χρήσης πριν την εγκατάσταση και τη λειτουργία του προϊόντος.
- Πάντα να τηρείτε τις εφαρμόσιμες οδηγίες ασφαλείας.
- Να διατηρείτε τις οδηγίες χρήσης σε σημείο με εύκολη πρόσβαση, για μελλοντική χρήση.
- Παρακαλούμε να διαβάστε και οποιαδήποτε άλλη τεκμηρίωση συνοδεύει το προϊόν.
- Να έχετε υπόψη σας ότι αυτές οι οδηγίες χρήσης μπορεί να έχουν εφαρμογή σε περισσότερα από ένα μοντέλα του προϊόντος. Ο οδηγός υποδεικνύει με σαφήνεια τυχόν παραλλαγές των διάφορων μοντέλων.

- **Σύμβολα και παρατηρήσεις**
- **Στις οδηγίες χρήσης χρησιμοποιούνται τα ακόλουθα σύμβολα:**


	Σημαντικές πληροφορίες και χρήσιμες συμβουλές.
	Κίνδυνος για τη ζωή και την περιουσία.
	Κίνδυνος ηλεκτροπληξίας.


	Η συσκευασία του προϊόντος είναι κατασκευασμένη από ανακυκλώσιμα υλικά σύμφωνα με την Εθνική νομοθεσία προστασίας του περιβάλλοντος.
---	--


	INFORMATION	
	ENERGY	
SUPPLIER'S NAME	MODEL IDENTIFIER → (*)	. Η πρόσβαση στις πληροφορίες για το μοντέλο όπως είναι αποθηκευμένες στη βάση δεδομένων για τα προϊόντα είναι εφικτή με την είσοδο στον παρακάτω ιστότοπο και την αναζήτηση για το αναγνωριστικό του μοντέλου (*) της συσκευής σας που αναφέρεται στην ετικέτα ενεργειακής σήμανσης.
		
		https://eprel.ec.europa.eu/


1- Οδηγίες Ασφαλείας

- Η ενότητα αυτή περιλαμβάνει πληροφορίες ασφαλείας που θα βοηθήσουν στην προστασία σας από τον κίνδυνο σωματικών ή υλικών βλαβών.
- Η εταιρεία μας δεν θα φέρει καμία ευθύνη για ζημιές και βλάβες που ενδέχεται να προκύψουν αν δεν τηρηθούν οι παρούσες οδηγίες.

 Οι διαδικασίες εγκατάστασης και επισκευών πρέπει να διενεργούνται από τον κατασκευαστή, έναν εξουσιοδοτημένο εκπρόσωπο σέρβις ή ένα εξειδικευμένο άτομο που έχει ορίσει ο εισαγωγέας.

 Χρησιμοποιείτε μόνο γνήσια ανταλλακτικά και αξεσουάρ.

 Μην επισκευάσετε ή αντικαταστήσετε κανένα εξάρτημα του προϊόντος εκτός αν αυτό ορίζεται ρητά στο εγχειρίδιο χρήσης.

 Μην προβείτε σε κανενός είδους τεχνικές τροποποιήσεις στο προϊόν.

1.1 Ενδεδειγμένη χρήση

- Το προϊόν αυτό δεν είναι κατάλληλο για επαγγελματική χρήση και δεν πρέπει να χρησιμοποιείται για χρήσεις πέραν της ενδεδειγμένης χρήσης του.

Αυτό το προϊόν έχει σχεδιαστεί να χρησιμοποιείται σε οικιακούς και εσωτερικούς χώρους.

Για παράδειγμα:

- Στις κουζίνες προσωπικού καταστημάτων, γραφείων και άλλων χώρων εργασίας.

- Σε αγροικίες.

- Σε χώρους που

χρησιμοποιούνται από πελάτες σε ξενοδοχεία, μοτέλ και άλλους τύπους καταλυμάτων.

- Σε ξενοδοχεία τύπου δωματίου με πρωινό, σε οικοτροφεία.

- Σε κέτερινγκ και άλλες μη εμπορικές εφαρμογές.

Αυτό το προϊόν δεν πρέπει να χρησιμοποιείται σε εξωτερικούς χώρους με ή χωρίς τέντα από πάνω του, όπως σε σκάφη, μπαλκόνια ή βεράντες. Μην εκθέτετε το προϊόν σε βροχή, χιόνι, ήλιο ή άνεμο.

Υπάρχει κίνδυνος φωτιάς!

1.2 - Ασφάλεια για παιδιά, ευπαθή άτομα και κατοικίδια

- Αυτό το προϊόν επιτρέπεται να χρησιμοποιείται από παιδιά ηλικίας 8 ετών και άνω και από άτομα με μειωμένες σωματικές, αισθητηριακές ή διανοητικές ικανότητες ή με έλλειψη εμπειρίας και γνώσης, εφόσον τα άτομα αυτά επιτηρούνται ή έχουν εκπαιδευτεί για την ασφαλή χρήση του προϊόντος και τους κινδύνους που μπορεί να προέλθουν από αυτό.
- Παιδιά ηλικίας 3 έως 8 ετών επιτρέπεται να τοποθετούν και να αφαιρούν τρόφιμα από προϊόντα τύπου ψυγείου.
- Τα ηλεκτρικά προϊόντα είναι επικίνδυνα για παιδιά και

κατοικίδια. Τα παιδιά και τα κατοικίδια δεν επιτρέπεται να παίζουν με το προϊόν, να ανεβαίνουν στο προϊόν ή να μπαίνουν μέσα στο προϊόν.

- Οι εργασίες καθαρισμού και συντήρησης από τον χρήστη δεν πρέπει να εκτελούνται από παιδιά, εκτός αν τα παιδιά βρίσκονται υπό επίβλεψη.
- Κρατάτε τα υλικά συσκευασίας μακριά από παιδιά. Υπάρχει κίνδυνος τραυματισμού και ασφυξίας!
- Πριν απορρίψετε το παλιό ή άχρηστο πλέον προϊόν:
 1. Αποσυνδέστε το προϊόν από το ρεύμα πιάνοντας το φις και τραβώντας το από την πρίζα.
 2. Κόψτε το καλώδιο ρεύματος και αφαιρέστε το από τη συσκευή μαζί με το φις του
 3. Μην αφαιρέσετε τα ράφια ή συρτάρια, για να είναι δυσκολότερη η είσοδος παιδιών στο προϊόν.
 4. Αφαιρέστε τις πόρτες.
 5. Διατηρείτε το προϊόν σε θέση από την οποία δεν μπορεί να ανατραπεί.
 6. Μην αφήνετε παιδιά να παίζουν με το παλιό προϊόν.
- Ποτέ μην πετάξετε το προϊόν μέσα σε φωτιά όταν το απορρίψετε. Υπάρχει κίνδυνος έκρηξης!
- Αν υπάρχει κλειδαριά στην πόρτα του προϊόντος, το κλειδί θα πρέπει να φυλάσσεται μακριά από παιδιά.

1.3 - Ασφάλεια χρήσης ηλεκτρικού ρεύματος

- Το προϊόν πρέπει να είναι αποσυνδεδεμένο από την πρίζα κατά τις διαδικασίες εγκατάστασης, συντήρησης, καθαρισμού, επισκευής και μετακίνησης.
- Αν το καλώδιο ρεύματος υποστεί ζημιά, πρέπει να αντικατασταθεί από εξειδικευμένο άτομο που έχει ορίσει ο κατασκευαστής, από εξουσιοδοτημένο εκπρόσωπο σέρβις ή από τον εισαγωγέα, για την αποφυγή ενδεχόμενων κινδύνων.
- Μην συμπιέσετε το καλώδιο ρεύματος κάτω ή πίσω από το προϊόν. Μην τοποθετείτε βαριά αντικείμενα πάνω στο καλώδιο ρεύματος. Το καλώδιο ρεύματος δεν πρέπει να λυγίζεται υπερβολικά, να συμπιέζεται ή να έρχεται σε επαφή με οποιαδήποτε πηγή θερμότητας.
- Μην χρησιμοποιείτε καλώδια επέκτασης, πολύπριζα ή προσαρμογείς για τη λειτουργία του προϊόντος.
- Τα φορητά πολύπριζα ή οι φορητές πηγές ρεύματος μπορεί να υπερθερμανθούν και να προκαλέσουν φωτιά. Επομένως μην έχετε πολύπριζα πίσω ή κοντά στο προϊόν.
- Το φις πρέπει να είναι εύκολα προσβάσιμο. Αν αυτό δεν είναι εφικτό, η ηλεκτρική εγκατάσταση στην οποία συνδέεται το προϊόν πρέπει να περιλαμβάνει μια διάταξη (όπως ασφάλεια, διακόπτη, ασφαλειοδιακόπτη κλπ.) η οποία συμμορφώνεται με τους ηλεκτρικούς κανονισμούς και αποσυνδέει όλους τους πόλους από το δίκτυο ρεύματος.
- Μην αγγίζετε το φις ρευματοληψίας με γυμνά χέρια.
- Όταν αφαιρείτε το φις από την πρίζα, τραβάτε το ίδιο το φις και όχι το καλώδιο.

! 1.4 - Ασφάλεια κατά τη μεταφορά

- Το προϊόν είναι βαρύ, μην το μετακινείτε μόνοι σας.
- Μην κρατάτε το προϊόν από την πόρτα του όταν το μετακινείτε.
- Προσέχετε να μην προξενήσετε ζημιά στο ψυκτικό σύστημα ή στη σωλήνωση κατά τη μεταφορά. Αν η σωλήνωση έχει υποστεί ζημιά, διακόψτε τη λειτουργία του προϊόντος και καλέστε τον εξουσιοδοτημένο εκπρόσωπο σέρβις.

! 1.5 - Ασφάλεια κατά την εγκατάσταση

- Για την εγκατάσταση του προϊόντος καλέστε τον εξουσιοδοτημένο εκπρόσωπο σέρβις. Για να προετοιμάσετε το προϊόν για χρήση, διαβάστε τις πληροφορίες που δίνονται στο εγχειρίδιο χρήσης, για να βεβαιωθείτε ότι οι εγκαταστάσεις ρεύματος και νερού είναι κατάλληλες. Αν δεν είναι, καλέστε έναν εξειδικευμένο ηλεκτρολόγο και υδραυλικό για να πραγματοποιήσουν όλες τις απαιτούμενες εργασίες. Διαφορετικά, υπάρχει κίνδυνος ηλεκτροπληξίας, φωτιάς, προβλημάτων με το προϊόν ή τραυματισμού!
- Πριν την εγκατάσταση, ελέγξτε αν το προϊόν έχει οποιαδήποτε ελαττώματα. Αν το προϊόν έχει υποστεί ζημιά, μην επιτρέψετε την εγκατάστασή του.
- Τοποθετήστε το προϊόν πάνω σε μια καθαρή, οριζόντια και σταθερή επιφάνεια και ισορροπήστε το χρησιμοποιώντας τα ρυθμιζόμενα πόδια του. Διαφορετικά, το προϊόν μπορεί να ανατραπεί και να προκαλέσει τραυματισμούς.
- Η θέση εγκατάστασης πρέπει να είναι ξηρή και καλά αεριζόμενη. Μην τοποθετείτε κάτω από το

προϊόν χαλιά, πατάκια ή παρόμοια καλύμματα δαπέδου. Ο ανεπαρκής αερισμός προκαλεί κίνδυνο φωτιάς!

- Μην καλύπτετε ή φράζετε τα ανοίγματα αερισμού. Διαφορετικά, η κατανάλωση ρεύματος αυξάνεται και το προϊόν μπορεί να υποστεί ζημιά.
- Το προϊόν δεν πρέπει να συνδέεται σε συστήματα παροχής όπως πλιακά συστήματα ρεύματος. Διαφορετικά, το προϊόν μπορεί να υποστεί ζημιά λόγω απότομων αλλαγών της ηλεκτρικής τάσης!
- Όσο περισσότερο ψυκτικό μέσο περιέχει ένα ψυγείο, τόσο μεγαλύτερος πρέπει να είναι ο χώρος εγκατάστασής του. Αν ο χώρος εγκατάστασης είναι πολύ μικρός, θα συσσωρευτεί εύφλεκτο μείγμα ψυκτικού μέσου και αέρα σε περίπτωση διαρροής ψυκτικού μέσου από το ψυκτικό σύστημα. Ο χώρος που απαιτείται για κάθε 8 gr ψυκτικού μέσου είναι τουλάχιστον 1 m³. Η ποσότητα ψυκτικού μέσου μέσα στο προϊόν αναφέρεται στην πινακίδα τύπου.
- Το προϊόν δεν πρέπει να εγκατασταθεί σε θέσεις που είναι εκτεθειμένες σε άμεση ηλιακή ακτινοβολία και πρέπει να παραμένει μακριά από πηγές θερμότητας όπως πλάκες εστιών, ψυγεία κλπ.

Αν δεν μπορείτε να αποφύγετε την εγκατάσταση του προϊόντος κοντά σε πηγή θερμότητας, πρέπει να χρησιμοποιήσετε μια κατάλληλη μονωτική πλάκα και πρέπει να τηρείτε τις ακόλουθες ελάχιστες αποστάσεις από την πηγή θερμότητας:

- Τουλάχιστον 30 cm από πηγές θερμότητας όπως πλάκες εστιών, φούρνους, σώματα καλοριφέρ ή σόμπες.

- Τουλάχιστον 5 cm από ηλεκτρικού φούρνους.
- Η κλάση προστασίας του προϊόντος είναι Τύπου I. Συνδέστε το προϊόν σε γειωμένη πρίζα που συμμορφώνεται με τις τιμές τάσης, ρεύματος και συχνότητας που αναφέρονται στην πινακίδα τύπου του προϊόντος. Η πρίζα πρέπει να προστατεύεται από ασφαλειοδιακόπτη 10 A – 16 A. Η εταιρεία μας δεν θα φέρει καμία ευθύνη για τυχόν ζημιές που θα προκύψουν αν το προϊόν χρησιμοποιηθεί χωρίς γείωση και ηλεκτρική σύνδεση που συμμορφώνεται με τους τοπικούς και εθνικούς κανονισμούς.
 - Το προϊόν δεν πρέπει να είναι συνδεδεμένο στο ρεύμα κατά την εγκατάσταση. Διαφορετικά, υπάρχει κίνδυνος ηλεκτροπληξίας και τραυματισμού!
 - Μην συνδέετε το προϊόν σε πρίζες που είναι λασκαρισμένες, εκτός θέσης, σπασμένες, λερωμένες, καλυμμένες με λάδια και λίπη ή πρίζες που είναι σε κίνδυνο επαφής με νερό.
 - Περάστε το καλώδιο ρεύματος και τους εύκαμπτους σωλήνες του προϊόντος (αν υπάρχουν) με τρόπο ώστε να μην προκαλούν κίνδυνο να μπερδευτεί κάποιος.
 - Η έκθεση των ηλεκτροφόρων εξαρτημάτων ή του καλωδίου ρεύματος σε υγρασία μπορεί να προκαλέσει βραχυκύκλωμα. Επομένως, μην εγκαταστήσετε το προϊόν σε θέσεις όπως γκαράζ ή δωμάτια πλυντηρίου όπου η υγρασία είναι υψηλή ή μπορεί να εκτεθούν σε πιτσίλισμα νερού. Αν το ψυγείο βραχεί με νερό, αποσυνδέστε το από την πρίζα και καλέστε τον εξουσιοδοτημένο εκπρόσωπο σέρβις.
 - Ποτέ μη συνδέετε το ψυγείο αυτό σε συσκευές εξοικονόμησης ενέργειας. Αυτού του είδους τα συστήματα είναι επιβλαβή για το προϊόν.

1.6 - Ασφάλεια κατά τη λειτουργία

- Ποτέ μη χρησιμοποιήσετε στο προϊόν χημικούς διαλύτες. Υπάρχει κίνδυνος έκρηξης!
- Σε περίπτωση δυσλειτουργίας του προϊόντος, αποσυνδέστε το από την πρίζα και μην το θέσετε πάλι σε λειτουργία έως ότου επισκευαστεί από τον εξουσιοδοτημένο εκπρόσωπο σέρβις. Υπάρχει κίνδυνος ηλεκτροπληξίας!
- Μην τοποθετείτε πηγές φλόγας (αναμμένα κεριά, τσιγάρα κλπ.) πάνω ή κοντά στο προϊόν.
- Μην ανεβαίνετε πάνω στο προϊόν. Υπάρχει κίνδυνος πτώσης και τραυματισμού!
- Μην προξενήσετε ζημιά στους σωλήνες του ψυκτικού συστήματος με αιχμηρά ή μυτερά αντικείμενα. Το ψυκτικό μέσο που μπορεί να εξέλθει αν τρυπήσουν οι σωλήνες ψυκτικού μέσου, οι επεκτάσεις σωλήνων ή οι επιφανειακές επικαλύψεις, προκαλεί ερεθισμό στο δέρμα και τραυματισμό στα μάτια.
- Εκτός αν συνιστάται από τον κατασκευαστή, μην τοποθετείτε ή χρησιμοποιείτε ηλεκτρικές συσκευές μέσα στο ψυγείο/στην κατάψυξη.
- Προσέχετε να μην παγιδευτούν τα χέρια σας ή οποιοδήποτε μέρος του σώματός σας στα κινούμενα μέρη που υπάρχουν μέσα στο ψυγείο. Προσέχετε να μη συμπιεστούν τα δάχτυλά σας ανάμεσα στην πόρτα και το σώμα του ψυγείου. Προσέχετε όταν ανοίγετε και κλείνετε την πόρτα, ειδικά αν υπάρχουν παιδιά κοντά.
- Ποτέ μην τρώτε παγωτό, παγοκύβους ή παγωμένα φαγητά αμέσως μετά την αφαίρεσή τους από την κατάψυξη. Υπάρχει κίνδυνος κρουπαγήματος!

- Όταν τα χέρια σας είναι υγρά, μην αγγίζετε τα εσωτερικά τοιχώματα ή μεταλλικά μέρη της κατάψυξης αλλά ούτε και τα φαγητά που είναι αποθηκευμένα στο εσωτερικό της. Υπάρχει κίνδυνος κρυοπαγήματος!
- Μην τοποθετείτε μέσα στον θάλαμο κατάψυξης μεταλλικά κουτιά ή μπουκάλια που περιέχουν ποτά με ανθρακικό ή με υγρά που μπορεί να παγώσουν. Τα μεταλλικά κουτιά και τα μπουκάλια μπορεί να σπάσουν. Υπάρχει κίνδυνος τραυματισμού και υλικής ζημιάς!
- Μην τοποθετείτε ή χρησιμοποιείτε εύφλεκτα σπρέι, εύφλεκτα υλικά, ξηρό πάγο, χημικές ουσίες ή παρόμοια ευαίσθητα σε θερμοκρασία υλικά κοντά στο ψυγείο. Υπάρχει κίνδυνος φωτιάς και έκρηξης!
- Μην αποθηκεύετε μέσα στο προϊόν εκρηκτικά υλικά ή δοχεία που περιέχουν εύφλεκτα υλικά, όπως δοχεία αεροζόλ.
- Μην τοποθετείτε πάνω στο προϊόν δοχεία που περιέχουν υγρό. Τυχόν πτώση νερού πάνω σε ηλεκτρικό εξάρτημα μπορεί να προκαλέσει ηλεκτροπληξία ή κίνδυνο φωτιάς.
- Αυτό το προϊόν δεν προορίζεται για φύλαξη φαρμάκων, πλάσματος αίματος, εργαστηριακών παρασκευασμάτων ή παρόμοιων ιατρικών υλικών και προϊόντων που υπόκεινται στην Οδηγία περί Ιατρικών προϊόντων.
- Η χρήση του προϊόντος σε ασυμφωνία με την ενδεδειγμένη χρήση του μπορεί να προκαλέσει υποβάθμιση ή αλλοίωση των προϊόντων που είναι αποθηκευμένα στο εσωτερικό του.
- Αν το ψυγείο σας διαθέτει μπλε φως, μην κοιτάζετε αυτό το φως με χρήση οπτικών εργαλείων. Μην κοιτάζετε απευθείας για πολλή ώρα τη λάμπα LED UV. Η υπεριώδης ακτινοβολία μπορεί να προκαλέσει καταπόνηση των ματιών.
- Μην υπερφορτώνετε το προϊόν. Αντικείμενα μέσα στο ψυγείο μπορεί να πέσουν όταν ανοιχτεί η πόρτα του, προκαλώντας τραυματισμό ή ζημιά. Παρόμοια προβλήματα μπορεί να προκύψουν αν τοποθετηθεί οποιοδήποτε αντικείμενο πάνω στο προϊόν.
- Για την αποφυγή τραυματισμών να βεβαιώνετε ότι έχετε καθαρίσει όλον τον πάγο και το νερό που μπορεί να έχει πέσει ή κυθεί στο δάπεδο.
- Αλλάζετε θέσεις στα ράφια/στις θήκες μπουκαλιών στην πόρτα του ψυγείου μόνο εφόσον αυτά είναι κενά. Υπάρχει κίνδυνος τραυματισμού!
- Μην τοποθετείτε πάνω στο προϊόν αντικείμενα που μπορούν να πέσουν κάτω/ανατραπούν. Αυτά τα αντικείμενα μπορεί να πέσουν κατά το άνοιγμα της πόρτας και να προκαλέσουν τραυματισμούς και/ή υλικές ζημιές.
- Μην χτυπάτε τις γυάλινες επιφάνειες και μην τους ασκείτε υπερβολική βία. Το σπασμένο γυαλί μπορεί να προκαλέσει τραυματισμούς και/ή υλικές ζημιές.
- Το ψυκτικό σύστημα του προϊόντος περιείχε το ψυκτικό μέσον R600a: Ο τύπος ψυκτικού μέσου που χρησιμοποιείται στο προϊόν αναφέρεται στην πινακίδα τύπου. Αυτό το ψυκτικό μέσο είναι εύφλεκτο. Για τον λόγο αυτό, προσέχετε να μην προξενήσετε ζημιά στο ψυκτικό σύστημα ή στη σωλήνωση κατά τη μεταφορά. Αν υποστεί ζημιά η σωλήνωση:
 - Μην αγγίζετε το προϊόν ή το καλώδιο ρεύματος.
 - Κρατάτε μακριά δυνητικές πηγές φωτιάς που μπορούν να προκαλέσουν ανάφλεξη του προϊόντος.
 - Αερίστε τον χώρο όπου είναι εγκατεστημένο το προϊόν. Μην χρησιμοποιήσετε ανεμιστήρες.

- Καλέστε τον εξουσιοδοτημένο εκπρόσωπο σέρβις.

- Αν το προϊόν έχει υποστεί ζημιά και δείτε διαρροή του ψυκτικού μέσου, μείνετε μακριά από το ψυκτικό μέσο. Το ψυκτικό μέσο μπορεί να προκαλέσει κρυοπάγημα σε περίπτωση επαφής με το δέρμα.

1.7- Ασφάλεια κατά τη συντήρηση και τον καθαρισμό

- Μην τραβάτε το προϊόν από τη λαβή πόρτας, αν χρειαστεί να το μετακινήσετε για εργασίες καθαρισμού. Η λαβή μπορεί να σπάσει και να προκαλέσει τραυματισμούς, αν της ασκήσετε υπερβολική δύναμη.
- Μην ψεκάσετε ή χύνετε νερό πάνω ή μέσα στο προϊόν για τον καθαρισμό. Υπάρχει κίνδυνος φωτιάς και ηλεκτροπληξίας!
- Μην χρησιμοποιείτε αιχμηρά εργαλεία ή εργαλεία που χαράζουν κατά τον καθαρισμό του προϊόντος. Μην χρησιμοποιείτε οικιακά καθαριστικά, απορρυπαντικά, αέριο, βενζίνη, αραιωτικά χρωμάτων, οινόπνευμα, βερνίκι κλπ.
- Στο εσωτερικό του προϊόντος χρησιμοποιείτε μόνο προϊόντα καθαρισμού και συντήρησης που δεν είναι επιβλαβή για τρόφιμα.
- Ποτέ μην χρησιμοποιείτε ατμό ή ατμοκαθαριστές για τον καθαρισμό ή την απόψυξη του προϊόντος. Ο ατμός έρχεται σε επαφή με ηλεκτροφόρα μέρη μέσα στο ψυγείο, προκαλώντας βραχυκύκλωμα ή ηλεκτροπληξία!
- Να βεβαιώνετε ότι δεν εισέρχεται νερό στα ηλεκτρονικά κυκλώματα ή στα στοιχεία φωτισμού του προϊόντος.

- Χρησιμοποιείτε ένα καθαρό και στεγνό πανί για να σκουπίσετε τα ξένα υλικά ή τη σκόνη από τους ακροδέκτες του φις. Μην χρησιμοποιείτε βρεγμένο ή υγρό πανί για να καθαρίσετε το φις. Υπάρχει κίνδυνος φωτιάς και ηλεκτροπληξίας!

1.8- HomeWhiz

- Όταν χειρίζεστε το προϊόν μέσω της εφαρμογής HomeWhiz, πρέπει να τηρείτε τις προειδοποιήσεις ασφαλείας ακόμα και αν είστε μακριά από το προϊόν. Πρέπει επίσης να τηρείτε τις προειδοποιήσεις στην εφαρμογή.

1.9- Φωτισμός

- Καλέστε το εξουσιοδοτημένο σέρβις όταν χρειάζεται να αντικαταστήσετε τη LED/τον λαμπτήρα φωτισμού.

2 Οδηγίες σχετικά με το περιβάλλον

ENG

ES

SV

NO

FI

DA

PT

EL

2.1 Συμμόρφωση με την Οδηγία ΑΗΕΕ και τελική διάθεση του προϊόντος στο τέλος της ωφέλιμης ζωής του:

Αυτό το προϊόν συμμορφώνεται με την οδηγία ΑΗΕΕ της ΕΕ (2012/19/ΕΕ). Αυτό το προϊόν φέρει ένα σύμβολο ταξινόμησης για απόβλητα ηλεκτρικού και ηλεκτρονικού εξοπλισμού (ΑΗΕΕ).



Αυτό το σύμβολο υποδεικνύει ότι αυτό το προϊόν δεν πρέπει να απορριφθεί με οικιακά απορρίμματα στο τέλος της ωφέλιμης ζωής του. Η χρησιμοποιημένη συσκευή πρέπει να επιστραφεί σε επίσημο σημείο συλλογής για την ανακύκλωση ηλεκτρικών και ηλεκτρονικών συσκευών. Για να βρείτε αυτά τα συστήματα συλλογής, επικοινωνήστε με τις τοπικές σας αρχές, ή με το σημείο που αγοράσατε το προϊόν. Κάθε νοικοκυριό παίζει σημαντικό ρόλο στην ανάκτηση και ανακύκλωση των παλιών συσκευών. Η σωστή τελική διάθεση της χρησιμοποιημένης συσκευής συμβάλλει στην πρόληψη πιθανών αρνητικών συνεπειών για το περιβάλλον και την ανθρώπινη υγεία.

2.2 Συμμόρφωση με την Οδηγία RoHS

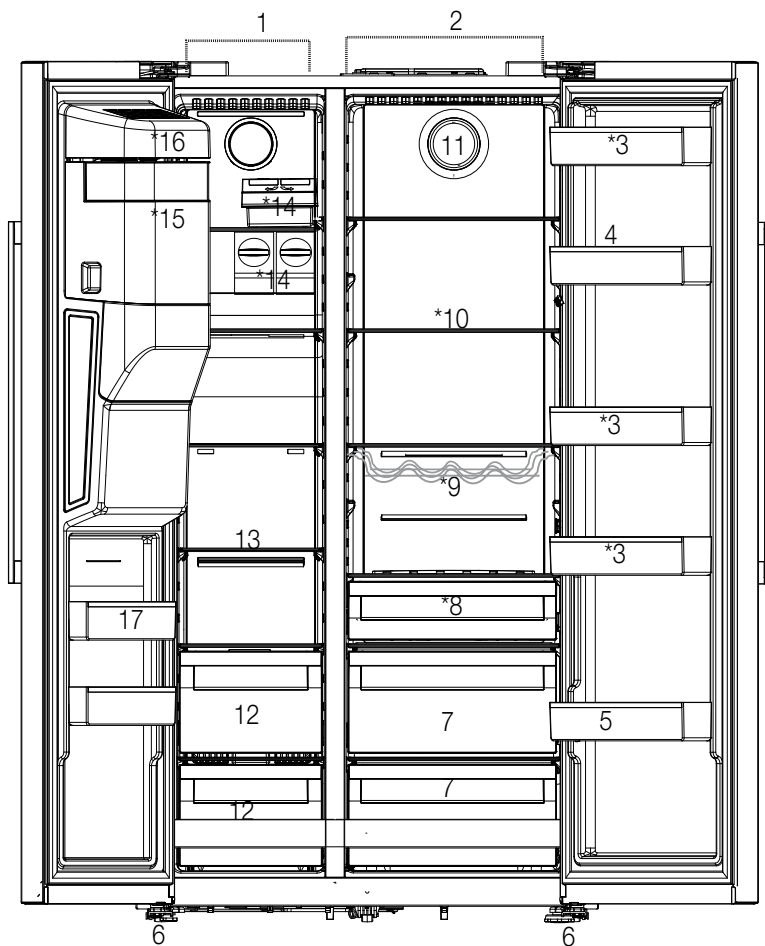
Το προϊόν που έχετε προμηθευτεί συμμορφώνεται με την οδηγία RoHS της ΕΕ (2011/65/ΕΕ). Δεν περιέχει επιβλαβείς και απαγορευμένες ουσίες που καθορίζονται στην Οδηγία.

2.3 Πληροφορίες για την συσκευασία



Τα υλικά συσκευασίας του προϊόντος κατασκευάζονται από ανακυκλώσιμα υλικά σύμφωνα με τις Διεθνείς Περιβαλλοντικές Νομοθεσίες. Μην απορρίπτετε τα υλικά συσκευασίας μαζί με οικιακά ή άλλου είδους απορρίμματα. Μεταφέρετέ τα στα σημεία συλλογής υλικών συσκευασίας τα οποία έχουν καθοριστεί από τις τοπικές αρχές.

3 Ψυγείο



1. Κατάψυξη
2. Ψυχρότερο διαμέρισμα
3. Ψυχρότερα ράφια θυρών
4. Κάτοχος αυγών
5. Ράφι μπουκαλιών
6. Ρυθμιζόμενες βάσεις
7. Τραγανό
8. Ο κάδος γαλακτοκομικών προϊόντων (ψυκτική αποθήκευση)
9. Ράφι μπουκαλιών
10. Γυάλινα ράφια
11. Ανεμιστήρας
12. Κατεψυγμένα διαμερίσματα αποθήκευσης τροφίμων
13. Γυάλινο ράφι καταψύκτη
14. Εικονική
15. Κουτί αποθήκευσης πάγου
16. Διακοσμητικό καπάκι για πάγο
17. Ράφια πορτών καταψύκτη

Ενδέχεται να μη διατίθενται σε όλα τα μοντέλα



***Προαιρετικός εξοπλισμός:** Οι εικόνες που περιλαμβάνονται στις παρούσες οδηγίες χρήσης είναι σχηματικές και ενδέχεται να μη συμφωνούν ακριβώς με το προϊόν που έχετε. Αν το προϊόν σας δεν περιλαμβάνει τα σχετικά εξαρτήματα, οι πληροφορίες αφορούν άλλα μοντέλα.

4 Εγκατάσταση

4.1 Το κατάλληλο μέρος για την εγκατάσταση



Διαβάστε πρώτα την ενότητα «Οδηγίες Ασφαλείας»!

Το προϊόν σας χρειάζεται επαρκή κυκλοφορία αέρα για να λειτουργεί αποδοτικά. Αν το προϊόν πρόκειται να τοποθετηθεί μέσα σε εσοχή τοίχου, μην παραλείψετε να αφήσετε ελεύθερη απόσταση τουλάχιστον 5 cm ανάμεσα στο προϊόν και την οροφή, τον πίσω τοίχο και τους πλευρικούς τοίχους.

Αν το προϊόν πρόκειται να τοποθετηθεί μέσα σε εσοχή τοίχου, μην παραλείψετε να αφήσετε ελεύθερη απόσταση τουλάχιστον 5 cm ανάμεσα στο προϊόν και την οροφή, τον πίσω τοίχο και τους πλευρικούς τοίχους. Ελέγξτε αν υπάρχει στη θέση του το εξάρτημα προστασίας της απόστασης από τον πίσω τοίχο (αν παρέχεται με το προϊόν). Αν το εξάρτημα δεν είναι διαθέσιμο, ή αν έχει χαθεί ή πέσει, ρυθμίστε τη θέση του προϊόντος έτσι ώστε να παραμένει διάκενο τουλάχιστον 5 cm ανάμεσα στην πίσω επιφάνεια του προϊόντος και τον τοίχο του δωματίου. Το διάκενο στην πίσω πλευρά είναι σημαντικό για την αποδοτική λειτουργία του προϊόντος.



ΠΡΟΕΙΔΟΠΟΙΗΣΗ: Μην χρησιμοποιείτε επεκτάσεις ή πολύπριζα για την σύνδεση στην παροχή ρεύματος.



ΠΡΟΕΙΔΟΠΟΙΗΣΗ: Ο κατασκευαστής δεν φέρει ευθύνη για τυχόν ζημιές που μπορεί να προκληθούν από εργασίες που διενεργούνται από μη εξουσιοδοτημένα άτομα.



ΠΡΟΕΙΔΟΠΟΙΗΣΗ: Το καλώδιο παροχής ρεύματος πρέπει να είναι αποσυνδεδεμένο κατά την εγκατάσταση. Το αντίθετο μπορεί να οδηγήσει σε θάνατο ή σοβαρούς τραυματισμούς!



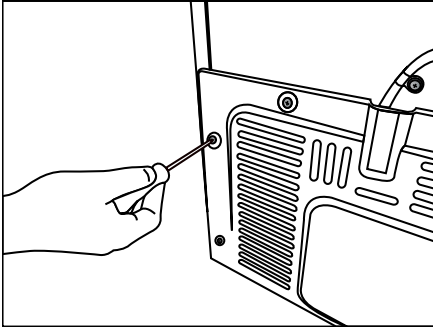
ΠΡΟΕΙΔΟΠΟΙΗΣΗ: : Αν το προϊόν δεν χωράει να περάσει από την πόρτα του δωματίου εγκατάστασης, αφαιρέστε την πόρτα και γυρίστε το προϊόν στο πλάι: αν αυτό δεν αρκεί, επικοινωνήστε με την εξουσιοδοτημένη υπηρεσία σέρβις.

- Τοποθετήστε το προϊόν σε μία σταθερή επιφάνεια για να αποφύγετε τη δημιουργία δονήσεων.
- Τοποθετήστε το προϊόν τουλάχιστον 30 cm μακριά από καλοριφέρ, φούρνους, ή αντίστοιχες πηγές θερμότητας, και τουλάχιστον 5 εκατοστά μακριά από ηλεκτρικούς φούρνους.
- Μην εκθέτετε το προϊόν σε άμεσο ηλιακό φως και μην το διατηρείτε σε περιβάλλον με υγρασία.
- Το προϊόν απαιτεί επαρκή κυκλοφορία αέρα για να λειτουργεί αποδοτικά. Αν το προϊόν πρόκειται να τοποθετηθεί μέσα σε εσοχή τοίχου, θυμηθείτε να αφήσετε απόσταση τουλάχιστον 5 cm ανάμεσα στο προϊόν και την οροφή ή τους τοίχους.

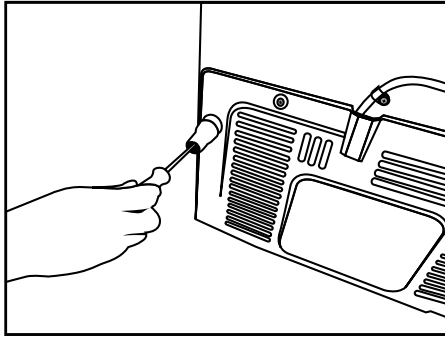
4.2 Τοποθέτηση των πλαστικών σφηνών

Χρησιμοποιήστε τις πλαστικές σφήνες που παρέχονται μαζί με το προϊόν για την δημιουργία επαρκούς χώρου για την κυκλοφορία αέρα ανάμεσα στο προϊόν και τον τοίχο.

1. Για να τοποθετήσετε τις σφήνες, αφαιρέστε τις βίδες από το προϊόν και χρησιμοποιήστε τις βίδες που παρέχονται μαζί με τις σφήνες.

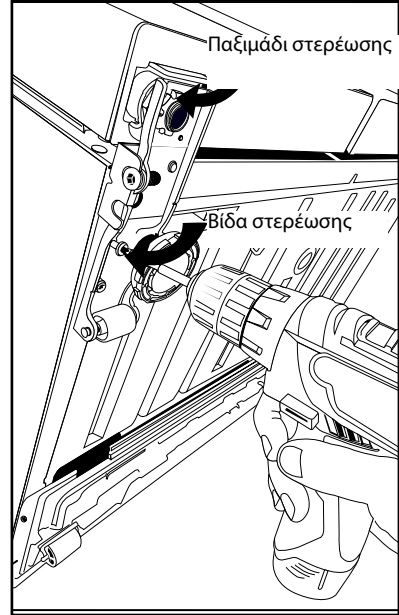
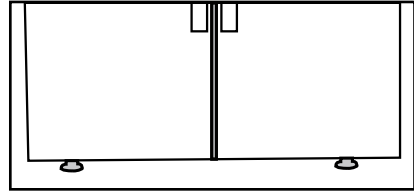


2. Τοποθετήστε 2 πλαστικές σφήνες στο κάλυμμα εξαερισμού όπως φαίνεται στην εικόνα.



4.3 Ρύθμιση των ποδιών

Αν το προϊόν δεν είναι οριζόντιο και σε ευσταθή θέση, ρυθμίστε τα μπροστινά ρυθμιζόμενα στηρίγματα περιστρέφοντάς τα αριστερόστροφα ή δεξιόστροφα.



4.4 Ηλεκτρική σύνδεση



ΠΡΟΕΙΔΟΠΟΙΗΣΗ:

Μην χρησιμοποιείτε επεκτάσεις ή πολύπριζα για την σύνδεση στην παροχή ρεύματος.



ΠΡΟΕΙΔΟΠΟΙΗΣΗ:

Τα καλώδια παροχής ρεύματος τα οποία έχουν υποστεί βλάβη θα πρέπει να αντικαθίστανται από Εξουσιοδοτημένη υπηρεσία σέρβις.

- Η εταιρία μας δεν φέρει ευθύνη για τυχόν βλάβες λόγω χρήσης χωρίς γείωση ή χωρίς παροχή ρεύματος που συμμορφώνεται με τους εθνικούς κανονισμούς.

- Το φως του καλωδίου ρεύματος πρέπει να είναι εύκολα προσβάσιμο μετά την εγκατάσταση.



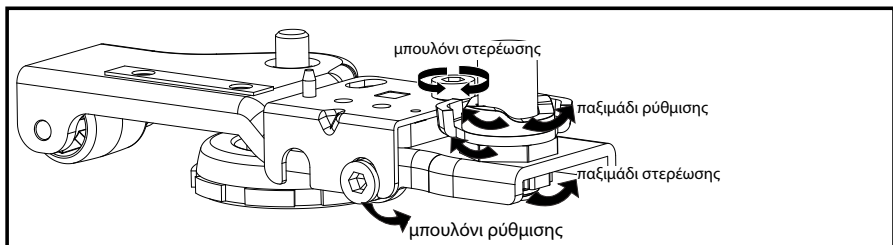
Προειδοποίηση για θερμές επιφάνειες!
Τα πλευρικά τοιχώματα του προϊόντος σας διαθέτουν σωλήνες ψύξης για την ενίσχυση του συστήματος ψύξης. Αυτές οι επιφάνειες ενδέχεται να διατρέχονται από υγρό υψηλής πίεσης, το οποίο θερμαίνει τις επιφάνειες των πλευρικών τοιχωμάτων. Αυτό αποτελεί μέρος της φυσιολογικής λειτουργίας και δεν απαιτείται σέρβις. Προσέχετε κατά την επαφή με αυτές τις επιφάνειες.

Για να ρυθμίσετε τις πόρτες κάθετα,

- Λασκάρετε το παξιμάδι στερέωσης στο κάτω μέρος
- Βιδώστε το παξιμάδι ρύθμισης (δεξιόστροφα/ αριστερόστροφα) σύμφωνα με την θέση της πόρτας
- Σφίξτε το παξιμάδι στερέωσης για την τελική θέση

Για να ρυθμίσετε τις πόρτες οριζόντια,

- Χαλαρώστε τη βίδα στερέωσης στο κάτω μέρος
- Λασκάρτε το μπουλόνι στερέωσης στο πάνω μέρος
- Σφίξτε το μπουλόνι ρύθμισης (δεξιόστροφα/ αριστερόστροφα) στο πλάι σύμφωνα με την θέση της πόρτας
- Σφίξτε το μπουλόνι στερέωσης στο πάνω μέρος για την τελική θέση
- Σφίξτε τη βίδα στερέωσης στο κάτω μέρος



4.5 Σύνδεση νερού (Προαιρ.)

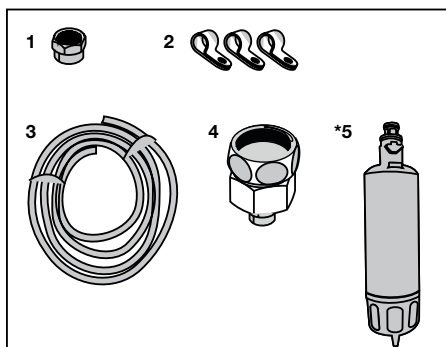


ΠΡΟΕΙΔΟΠΟΙΗΣΗ: Για τη σύνδεση νερού, αποσυνδέστε από την πρίζα το προϊόν και την αντλία νερού (αν υπάρχει).

Οι συνδέσεις του προϊόντος σε δίκτυο νερού, φίλτρο και φιάλη νερού, πρέπει να γίνει από εξουσιοδοτημένο σέρβις.

Το προϊόν μπορεί να συνδεθεί σε φιάλη νερού ή απευθείας στο δίκτυο νερού, ανάλογα με το μοντέλο. Για να πραγματοποιήσετε τη σύνδεση, πρέπει πρώτα να συνδέσετε τον εύκαμπτο σωλήνα νερού στο προϊόν.

Ελέγξτε για να δείτε ότι μαζί με το προϊόν σας παρέχονται τα ακόλουθα εξαρτήματα:



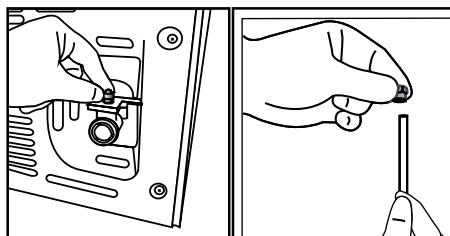
- 1. Σύνδεσμος (1 τεμάχιο):**
Χρησιμοποιείται για τη σύνδεση του εύκαμπτου σωλήνα νερού στην πίσω πλευρά του προϊόντος.
- 2. Κλιπ εύκαμπτου σωλήνα (3 τεμάχια):**
Χρησιμοποιείται για τη στερέωση του εύκαμπτου σωλήνα νερού στον τοίχο.
- 3. Εύκαμπτος σωλήνας νερού (1 τεμάχιο, 5 μέτρα, διάμετρος 1/4 ίντσας):** Χρησιμοποιείται για τη σύνδεση νερού.
- 4. Προσαρμογέας βρύσης (1 τεμάχιο):**
Περιλαμβάνει ένα πορώδες φίλτρο και χρησιμοποιείται για σύνδεση στην παροχή κρύου νερού ύδρευσης.

- 5. Φίλτρο νερού (1 τεμάχιο *προαιρ.):**
Χρησιμοποιείται για τη σύνδεση του προϊόντος στο δίκτυο νερού. Το φίλτρο νερού δεν απαιτείται αν διατίθεται σύνδεση φιάλης νερού.

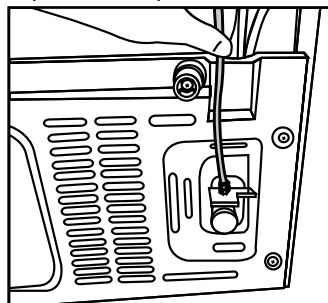
4.6 Σύνδεση του εύκαμπτου σωλήνα νερού στο προϊόν

Για να συνδέσετε τον εύκαμπτο σωλήνα νερού στο προϊόν, ακολουθήστε τις παρακάτω οδηγίες.

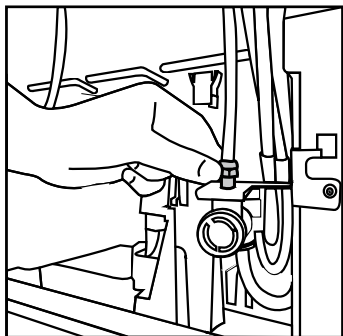
- 1.** Αφαιρέστε το σύνδεσμο στον προσαρμογέα ακροφυσίου του εύκαμπτου σωλήνα στην πίσω πλευρά του προϊόντος και περάστε τον εύκαμπτο σωλήνα μέσα από το σύνδεσμο.



- 2.** Σπρώξτε τον εύκαμπτο σωλήνα νερού κάτω σφιχτά και συνδέστε τον στον προσαρμογέα ακροφυσίου εύκαμπτου σωλήνα.



3. Σφίξτε το σύνδεσμο με το χέρι για να τον στερεώσετε στον προσαρμογέα ακροφυσίου εύκαμπτου σωλήνα. Μπορείτε επίσης να σφίξετε το σύνδεσμο με κλειδί σωλήνων ή πένσα.

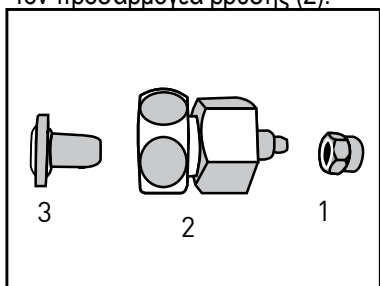


4. Συνδέστε το άλλο άκρο του εύκαμπτου σωλήνα στο δίκτυο νερού (βλέπε ενότητα 4.7) ή για να χρησιμοποιήσετε φιάλη νερού, στην αντλία νερού (βλέπε ενότητα 4.8).

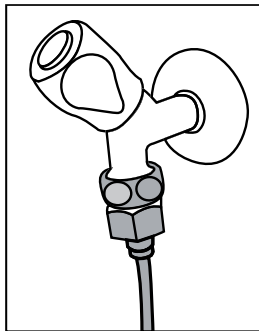
4.7 Σύνδεση στο δίκτυο νερού (Προαιρ.)

Για να χρησιμοποιήσετε το προϊόν συνδέοντάς το στην παροχή κρύου νερού ύδρευσης, πρέπει να εγκατασταθεί ένας στάνταρ σύνδεσμος βαλβίδας 1/2" στην παροχή κρύου νερού ύδρευσης του σπιτιού σας. Αν ο σύνδεσμος δεν είναι διαθέσιμος, ή αν δεν είστε βέβαιοι τι πρέπει να κάνετε, καλέστε έναν εξειδικευμένο υδραυλικό.

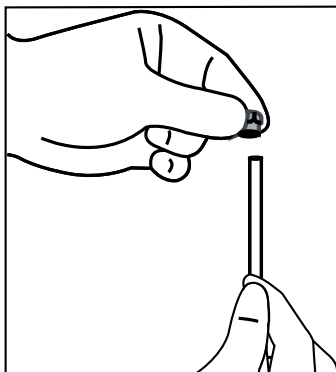
1. Αποσυνδέστε το σύνδεσμο (1) από τον προσαρμογέα βρύσης (2).



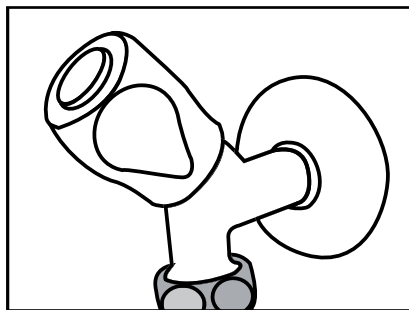
2. Συνδέστε τον προσαρμογέα βρύσης στο διακόπτη νερού δικτύου.



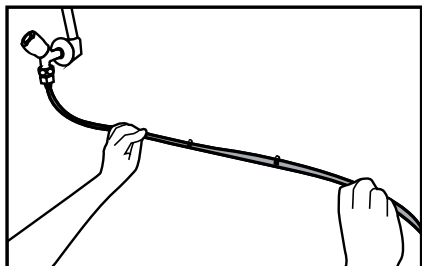
3. Συνδέστε το σύνδεσμο γύρω από τον εύκαμπτο σωλήνα νερού.



4. Συνδέστε το σύνδεσμο στον προσαρμογέα βρύσης και σφίξτε με το χέρι / με εργαλείο.



5. Για να αποφύγετε ζημιά, μετατόπιση ή αθέλητη αποσύνδεση του εύκαμπτου σωλήνα, χρησιμοποιήστε τα παρεχόμενα κλιπ για να στερεώσετε τον εύκαμπτο σωλήνα νερού όπως ενδείκνυται.

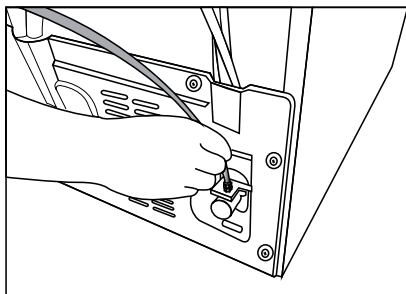


ΠΡΟΕΙΔΟΠΟΙΗΣΗ: Αφού ανοίξετε το διακόπτη νερού, βεβαιωθείτε ότι δεν υπάρχει διαρροή νερού στα δύο άκρα του εύκαμπτου σωλήνα νερού. Σε περίπτωση διαρροής, κλείστε το διακόπτη και σφίξτε όλες τις συνδέσεις χρησιμοποιώντας ένα κλειδί σωλήνων ή πένσα.

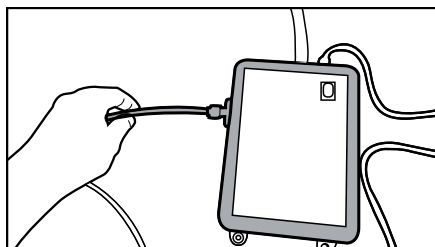
4.8. Για προϊόντα που χρησιμοποιούν φιάλη νερού (Προαιρ.)

Για να χρησιμοποιήσετε φιάλη για τη σύνδεση νερού του προϊόντος, πρέπει να χρησιμοποιηθεί η αντλία νερού που συνιστάται από το εξουσιοδοτημένο σέρβις.

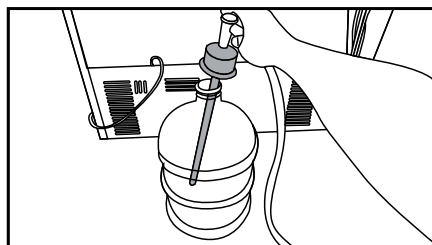
1. Συνδέστε το ένα άκρο του εύκαμπτου σωλήνα νερού που παρέχεται με την αντλία στο προϊόν (βλέπε 4.6) και ακολουθήστε τις παρακάτω οδηγίες.



2. Συνδέστε το άλλο άκρο του εύκαμπτου σωλήνα νερού στην αντλία νερού σπρώχνοντας τον εύκαμπτο σωλήνα μέσα στην είσοδο εύκαμπτου σωλήνα της αντλίας.



3. Τοποθετήστε και στερεώστε τον εύκαμπτο σωλήνα της αντλίας μέσα στη φιάλη νερού.



4. Αφού γίνει η σύνδεση, συνδέστε την αντλία νερού στην πρίζα και θέστε τη σε λειτουργία.



Περιμένετε 2-3 λεπτά αφού θέσετε σε λειτουργία την αντλία, για να επιτευχθεί η επιθυμητή απόδοση.



Για τη σύνδεση του νερού ανατρέξτε και στις οδηγίες χρήσης της αντλίας.



Όταν χρησιμοποιείτε φιάλη νερού, δεν απαιτείται φίλτρο νερού.

4.9 Φίλτρο νερού (Προαιρ.)

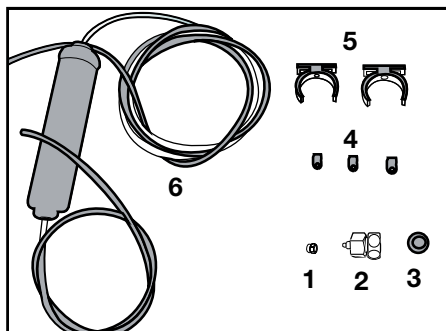
Το προϊόν μπορεί να έχει εσωτερικό ή εξωτερικό φίλτρο, ανάλογα με το μοντέλο. Για να συνδέσετε το φίλτρο νερού, ακολουθήστε τις παρακάτω οδηγίες.

4.9.1. Στερέωση εξωτερικού φίλτρου στον τοίχο (προαιρ.)



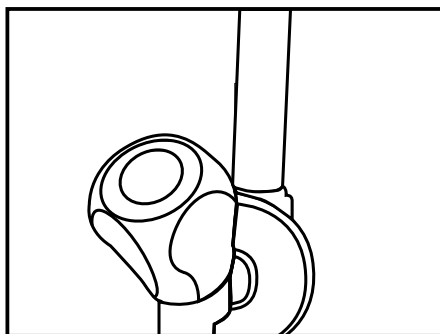
ΠΡΟΕΙΔΟΠΟΙΗΣΗ: Μη στερεώσετε το φίλτρο πάνω στο προϊόν.

Ελέγξτε για να δείτε ότι μαζί με το προϊόν σας παρέχονται τα ακόλουθα εξαρτήματα:

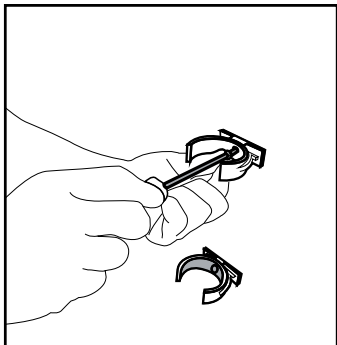


1. Σύνδεσμος (1 τεμάχιο): Χρησιμοποιείται για τη σύνδεση του εύκαμπτου σωλήνα νερού στην πίσω πλευρά του προϊόντος.
2. Προσαρμογέας βρύσης (1 τεμάχιο): Χρησιμοποιείται για τη σύνδεση παροχής κρύου νερού.
3. Πορώδες φίλτρο (1 τεμάχιο):
4. Κλιπ εύκαμπτου σωλήνα (3 τεμάχια): Χρησιμοποιείται για τη στερέωση του εύκαμπτου σωλήνα νερού στον τοίχο.
5. Βάση σύνδεσης φίλτρου (2 τεμάχια): Χρησιμοποιείται για τη στερέωση του φίλτρου στον τοίχο.
6. Φίλτρο νερού (1 τεμάχιο): Χρησιμοποιείται για τη σύνδεση του προϊόντος στο δίκτυο νερού. Το φίλτρο νερού δεν είναι απαραίτητο αν χρησιμοποιείτε σύνδεση φιάλης νερού.

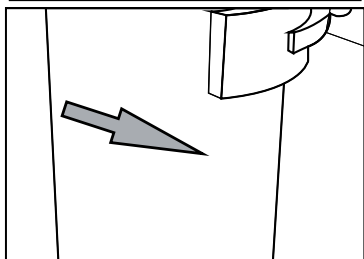
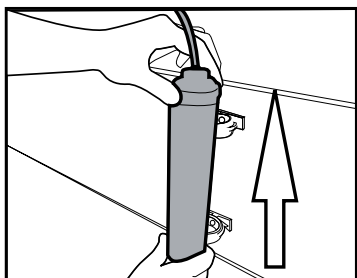
1. Συνδέστε τον προσαρμογέα βρύσης στο διακόπτη νερού δικτύου.
2. Προσδιορίστε τη θέση στερέωσης του εξωτερικού φίλτρου. Στερεώστε στον τοίχο τη βάση σύνδεσης φίλτρου (5).
3. Τοποθετήστε το φίλτρο σε όρθια θέση πάνω στη βάση σύνδεσης φίλτρου, όπως δείχνει η ετικέτα. (6)



4. Συνδέστε τον εύκαμπο σωλήνα νερού από το πάνω μέρος του φίλτρου στον προσαρμογέα σύνδεσης νερού του προϊόντος (βλέπε 4.6.)

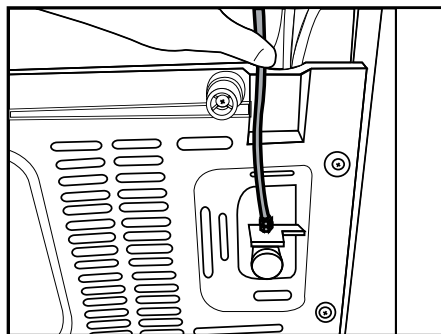


Αφού γίνει η σύνδεση, θα πρέπει να μοιάζει με την παρακάτω εικόνα.

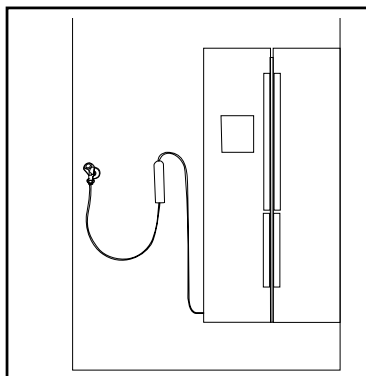


4.9.2. Εσωτερικό φίλτρο

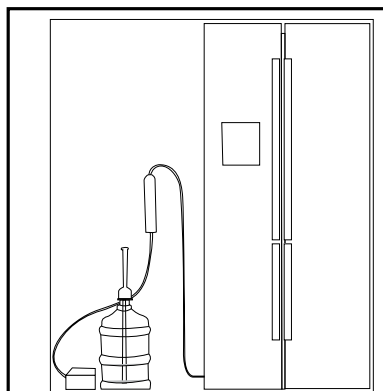
Το εσωτερικό φίλτρο που παρέχεται με το προϊόν δεν έχει εγκατασταθεί κατά την παράδοση. Παρακαλούμε ακολουθήστε τις παρακάτω οδηγίες για να εγκαταστήσετε το φίλτρο.



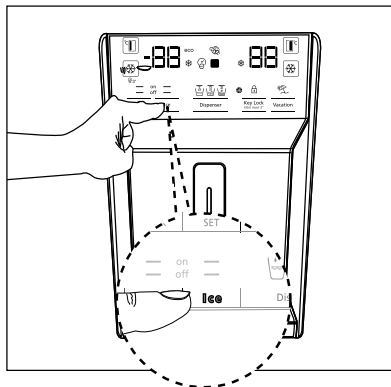
Γραμμή νερού:



Γραμμή φιάλης νερού:

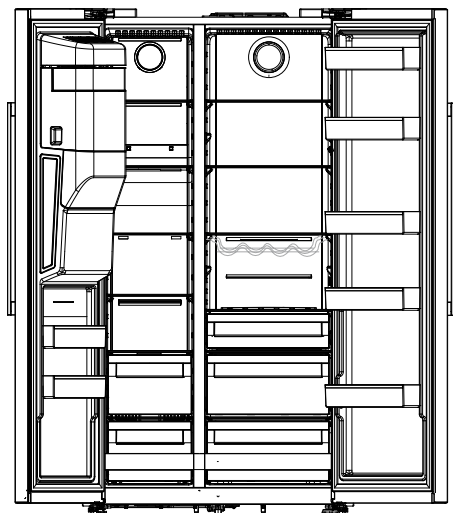


1. Κατά την εγκατάσταση του φίλτρου πρέπει να είναι ενεργή η ένδειξη “Παραγωγή πάγου ανενεργή” (Ice Off). Αλλάξτε την ένδειξη ON-OFF χρησιμοποιώντας το κουμπί “Πάγος” (Ice) στην οθόνη.



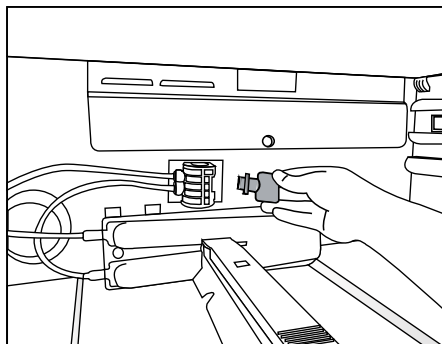
2. Αφαιρέστε το συρτάρι λαχανικών (a) για να αποκτήσετε πρόσβαση στο φίλτρο νερού.

Τραβήξτε και αφαιρέστε το κάλυμμα παράκαμψης φίλτρου νερού.

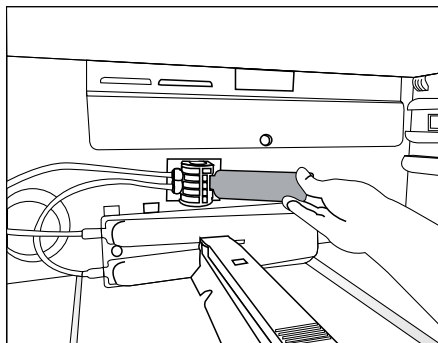


Μπορεί να τρέξουν λίγες σταγόνες νερού αφού αφαιρέσετε το κάλυμμα, αυτό είναι φυσιολογικό.

3. Τοποθετήστε το κάλυμμα φίλτρου νερού μέσα στο μηχανισμό και πιέστε το να ασφαλίσει στη θέση του.



4. Πατήστε πάλι το κουμπί “Πάγος” (Ice) στην οθόνη για να ακυρώσετε τη λειτουργία “Παραγωγή πάγου ανενεργή” (Ice Off).



Το φίλτρο νερού θα καθαρίζει το νερό από ορισμένα ξένα σωματίδια. Δεν θα αφαιρεί τους μικροοργανισμούς από το νερό.

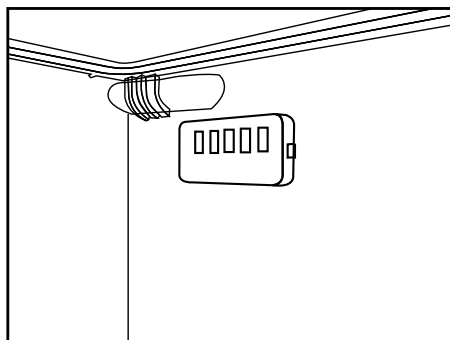
5 Προετοιμασία

5.1 Τι να κάνετε για να εξοικονομήσετε ενέργεια

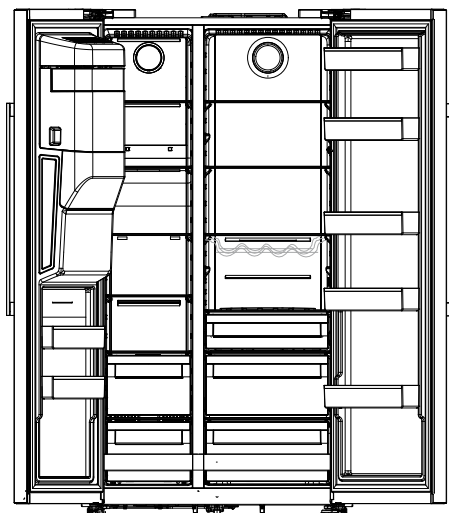


Η σύνδεση του προϊόντος σε ηλεκτρονικά συστήματα εξοικονόμησης ενέργειας είναι επιβλαβής, και ενδέχεται να προκαλέσει ζημιά στο προϊόν.

- Αν η συσκευή είναι αυτόνομη: «αυτή η συσκευή ψύξης δεν προορίζεται για χρήση ως εντοιχισμένη συσκευή»:
- Μην αφήνετε τις πόρτες του ψυγείου ανοιχτές για μεγάλα χρονικά διαστήματα.
- Μην τοποθετείτε θερμά τρόφιμα ή ποτά μέσα στο ψυγείο.
- Μην γεμίζετε υπερβολικά το ψυγείο: η παρεμπόδιση της εσωτερικής ροής αέρα θα μειώσει την ικανότητα ψύξης.
- Ανάλογα με τα χαρακτηριστικά του προϊόντος: η απόψυξη παγωμένων τροφίμων στο θάλαμο συντήρησης θα εξασφαλίσει την εξοικονόμηση ενέργειας και θα διαφυλάξει την ποιότητα των τροφίμων.
- Τα τρόφιμα θα πρέπει να αποθηκεύονται στα συρτάρια του θαλάμου συντήρησης για να εξασφαλιστεί η εξοικονόμηση ενέργειας και η διατήρηση των τροφίμων σε καλύτερες συνθήκες.
- Βεβαιωθείτε πως τα τρόφιμα δεν βρίσκονται σε επαφή με τον αισθητήρα θερμοκρασίας του θαλάμου συντήρησης ο οποίος περιγράφεται παρακάτω.



- Αν δεν υπάρχει άμεση εισχώρηση θερμού και υγρού αέρα στο προϊόν σας όταν ανοίγουν οι πόρτες, το προϊόν σας θα βελτιστοποιήσει την λειτουργία του σε συνθήκες κατάλληλες για την προστασία των τροφίμων σας. Σε αυτή τη λειτουργία εξοικονόμησης ενέργειας, λειτουργίες και εξαρτήματα όπως ο συμπιεστής, ο ανεμιστήρας, ο θερμαντήρας, το σύστημα απόψυξης, ο φωτισμός, η οθόνη, κ.λ.π. θα λειτουργούν σύμφωνα με τις ανάγκες με σκοπό την ελάχιστη κατανάλωση ενέργειας και την παράλληλη διατήρηση της φρεσκάδας των τροφίμων σας.



- Σε περίπτωση που έχετε πολλά είδη προαιρετικού εξοπλισμού, τα γυάλινα ράφια θα πρέπει να τοποθετούνται με τρόπο ώστε να μην εμποδίζουν τις εξόδους αέρα στο πίσω τοίχωμα, κατά προτίμηση με τις εξόδους αέρα να παραμένουν κάτω από τα γυάλινα ράφια. Αυτός ο συνδυασμός μπορεί να βοηθήσει στη βελτίωση της κατανομής του αέρα και στην εξοικονόμηση ενέργειας.

5.2 Πρώτη χρήση

Πριν χρησιμοποιήσετε το ψυγείο σας, βεβαιωθείτε πως έχουν γίνει οι απαραίτητες προετοιμασίες σύμφωνα με τις οδηγίες στις ενότητες «Ασφάλεια και οδηγίες σχετικά με το περιβάλλον» και «Εγκατάσταση».

- Αφήστε το προϊόν σε λειτουργία για 12 ώρες χωρίς να τοποθετήσετε τρόφιμα μέσα και μην ανοίξετε την πόρτα, εκτός αν αυτό είναι απολύτως απαραίτητο.



Θα ακουστεί ένας ήχος όταν ο συμπιεστής τεθεί σε λειτουργία. Είναι φυσιολογικό να ακούτε έναν ήχο ακόμα και όταν ο συμπιεστής είναι ανενεργός, λόγω των συμπιεσμένων υγρών και αερίων στο σύστημα ψύξης.



Είναι φυσιολογικό να είναι θερμές οι μπροστινές άκρες του ψυγείου. Η θέρμανση αυτών των περιοχών είναι μέρος του σχεδιασμού με σκοπό την αποτροπή συμπύκνωσης.



Για κάποια μοντέλα, ο πίνακας ενδείξεων απενεργοποιείται αυτόματα 1 λεπτό μετά το κλείσιμο της πόρτας. Θα ενεργοποιηθεί ξανά όταν η πόρτα ανοίξει ή όταν πατηθεί κάποιο πλήκτρο.

6 Χρήση του προϊόντος



Διαβάστε πρώτα την ενότητα
«Οδηγίες Ασφαλείας»!

- Μην χρησιμοποιείτε μηχανικά ή άλλου είδους εργαλεία που δεν συνιστώνται από τον κατασκευαστή για να επιταχύνετε την διαδικασία απόψυξης.
- Μην χρησιμοποιείτε μέρη του ψυγείου σας όπως η πόρτα ή τα συρτάρια για στήριξη ή για να πατάτε πάνω τους. Μπορεί να ανατραπεί το προϊόν και να προκληθεί βλάβη στα εξαρτήματά του.
- Το προϊόν θα πρέπει να χρησιμοποιείται μόνο για αποθήκευση τροφίμων.
- Κλείστε την βαλβίδα νερού αν βρίσκεστε μακριά από το σπίτι (π.χ. σε διακοπές) και δεν πρόκειται να χρησιμοποιήσετε τον παρασκευαστή πάγου ή τον διανομέα νερού για μεγάλο χρονικό διάστημα. Διαφορετικά, ενδέχεται να υπάρξουν διαρροές νερού.

6.1 Απενεργοποίηση του προϊόντος

- Αν δεν πρόκειται να χρησιμοποιήσετε το προϊόν για μεγάλο χρονικό διάστημα:
 - αποσυνδέστε το από την πρίζα,
 - αφαιρέστε τα τρόφιμα για να αποφύγετε δυσοσμία,
 - περιμένετε να λιώσει ο πάγος,
 - καθαρίστε το εσωτερικό και περιμένετε να στεγνώσει.
 - αφήστε τις πόρτες ανοιχτές για την αποτροπή βλάβης στα εσωτερικά πλαστικά μέρη.

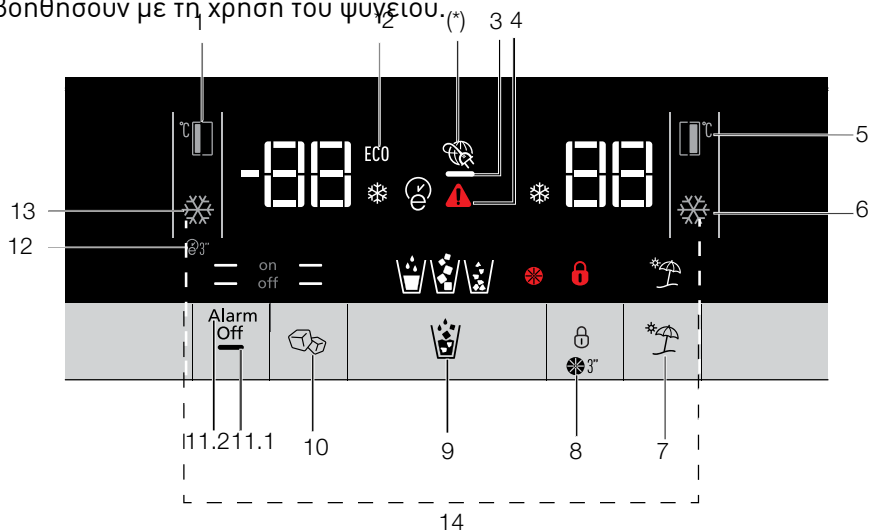
6 Λειτουργία του προϊόντος

Διαβάστε πρώτα την ενότητα «Οδηγίες Ασφαλείας»!

6.2 Πίνακας ενδείξεων

Οι πίνακες ενδείξεων ενδέχεται να διαφέρουν, ανάλογα με το μοντέλο του προϊόντος σας.

Οι ηχητικές και οπτικές λειτουργίες του πίνακα ενδείξεων θα σας βοηθήσουν με τη χρήση του ψυγείου.




1. Ρύθμιση θερμοκρασίας θαλάμου κατάψυξης
2. Οικονομική λειτουργία
3. Λειτουργία Εξοικονόμησης ενέργειας (απενεργοποίηση ενδείξεων)
4. Ένδειξη Διακοπής ρεύματος/ Υψηλής θερμοκρασίας/ Προειδοποίησης σφάλματος
5. Ρύθμιση θερμοκρασίας θαλάμου συντήρησης
6. Ταχεία ψύξη
7. Λειτουργία διακοπών
8. Κλείδωμα πλήκτρων / ακύρωση ειδοποίησης αντικατάστασης φίλτρου
9. Επιλογή νερού, θρυμματισμένου πάγου, παγοκύβων
10. Ενεργοποίηση / απενεργοποίηση παρασκευής πάγου
11. Ενεργοποίηση / απενεργοποίηση ενδείξεων/ Απενεργοποίηση ειδοποίησης συναγερμού
12. Autoeco
13. Ταχεία κατάψυξη
14. Μετατροπή Κελσίου/ Φαρενάιτ

***Ενδέχεται να μην διατίθεται σε όλα τα μοντέλα**



***Προαιρετικός εξοπλισμός:** Οι εμφανιζόμενες λειτουργίες είναι προαιρετικές, ενδέχεται να υπάρχουν διαφορές σε σχήμα και θέση σε λειτουργίες που βρίσκονται στον πίνακα ενδείξεων της συσκευής σας.

1. Ρύθμιση θερμοκρασίας θαλάμου κατάψυξης

Πατώντας το κουμπί () μπορείτε να ρυθμίσετε τη θερμοκρασία του χώρου κατάψυξης σε -18,-19,-20,-21,-22,-23,-24,-18...


2. Οικονομική λειτουργία

Δείχνει ότι το ψυγείο λειτουργεί σε λειτουργία εξοικονόμησης ενέργειας. Αυτή η ένδειξη θα είναι ενεργή αν η θερμοκρασία θαλάμου κατάψυξης ρυθμιστεί σε -18 ή αν εκτελείται ενεργειακά αποδοτική ψύξη λόγω της λειτουργίας eco-extra. (ECO)

3. Λειτουργία Εξοικονόμησης ενέργειας (απενεργοποίηση ενδείξεων)

Αν οι πόρτες του προϊόντος διατηρηθούν κλειστές για μεγάλο χρονικό διάστημα, ενεργοποιείται αυτόματα η λειτουργία εξοικονόμησης ενέργειας και ανάβει το σύμβολο εξοικονόμησης ενέργειας. Αν είναι ενεργή η λειτουργία εξοικονόμησης ενέργειας, θα σβήσουν όλα τα σύμβολα από τον πίνακα ενδείξεων εκτός από το σύμβολο εξοικονόμησης ενέργειας. Όταν είναι ενεργή η λειτουργία Εξοικονόμησης ενέργειας, αν πατήσετε οποιοδήποτε κουμπί ή αν ανοίξετε την πόρτα, θα ακυρωθεί η λειτουργία εξοικονόμησης ενέργειας και τα σύμβολα στην οθόνη θα επιστρέψουν στο κανονικό. Η λειτουργία εξοικονόμησης ενέργειας είναι ενεργοποιημένη κατά την παράδοση από το εργοστάσιο και δεν μπορεί να ακυρωθεί.


4. Διακοπή ρεύματος / Υψηλή θερμοκρασία / Δείκτης προειδοποίησης σφάλματος

Αυτή η ένδειξη () θα ανάψει σε περίπτωση προβλημάτων θερμοκρασίας ή ειδοποιήσεων βλάβης.

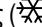
Αυτή η ένδειξη ανάβει σε περιπτώσεις ειδοποίησης για διακοπή ρεύματος, προβλήματα υψηλής θερμοκρασίας και σφάλματα. Σε περίπτωση παρατεταμένων διακοπών ρεύματος, η υψηλότερη

θερμοκρασία που φθάνει ο χώρος κατάψυξης θα αναβοσβήνει στην ψηφιακή οθόνη. Μετά τον έλεγχο των τροφίμων που βρίσκονται στο θάλαμο κατάψυξης, πατήστε το κουμπί απενεργοποίησης του συναγερμού για να ακυρώσετε την προειδοποίηση.

5. Ρύθμιση θερμοκρασίας θαλάμου συντήρησης

Πατώντας το κουμπί () , μπορείτε να ρυθμίσετε τη θερμοκρασία του θαλάμου συντήρησης σε 8,7,6,5,4,3,2.. αντίστοιχα.


6. Ταχεία ψύξη


Για ταχεία ψύξη, πατήστε το κουμπί και θα ενεργοποιηθεί η ένδειξη ταχείας ψύξης () .

Για να απενεργοποιήσετε αυτή τη λειτουργία, πατήστε πάλι αυτό το κουμπί.


Χρησιμοποιήστε αυτή τη λειτουργία όταν τοποθετείτε νωπά τρόφιμα μέσα στο θάλαμο συντήρησης ή όταν θέλετε να ψύξετε γρήγορα τα τρόφιμα. Όταν ενεργοποιηθεί αυτή η λειτουργία, το ψυγείο σας θα λειτουργεί αδιάκοπα για 1 ώρα.

7. Λειτουργία Διακοπών

Αν είναι ενεργή η λειτουργία Διακοπών () , η ένδειξη θερμοκρασίας θαλάμου συντήρησης είναι "-" και δεν υπάρχει ψύξη στο θάλαμο συντήρησης. Αυτή η λειτουργία δεν είναι κατάλληλη για τη διατήρηση τροφίμων στο θάλαμο συντήρησης. Άλλοι θάλαμοι θα συνεχίσουν να ψύχονται σύμφωνα με την αντίστοιχη θερμοκρασία που έχει ρυθμιστεί για κάθε θάλαμο.

Για να ακυρώσετε αυτή τη λειτουργία πατήστε πάλι το κουμπί διακοπών. ()

8. Κλειδωμα πλήκτρων / Κλειδωμα πλήκτρων / ακύρωση ειδοποίησης αντικατάστασης φίλτρου

Πατήστε το κουμπί κλειδώματος πλήκτρων () για να ενεργοποιήσετε το κλειδωμα πλήκτρων. Μπορείτε να χρησιμοποιήσετε αυτή τη λειτουργία και για να αποτρέψετε την αλλαγή των ρυθμίσεων του ψυγείου. Το

φίλτρο του ψυγείου πρέπει να αντικαθίσταται κάθε 6 μήνες.

Για να απενεργοποιήσετε τη φωτεινή ένδειξη ειδοποίησης φίλτρου, πατήστε και κρατήστε πατημένο για 3 δευτερόλεπτα το κουμπί (☼).

9. Επιλογή νερού, θρυμματισμένου πάγου, παγοκύβου

Κινηθείτε μεταξύ των επιλογών για νερό (☺), παγοκύβους (☹) και θρυμματισμένο πάγο (☼) χρησιμοποιώντας το κουμπί αρ. 8. Η ενεργή ένδειξη θα παραμείνει αναμμένη.

10. Ενεργοποίηση / απενεργοποίηση παρασκευής πάγου

Πατήστε το κουμπί (☹) για να ακυρώσετε (off —) ή να ενεργοποιήσετε (on —) την παρασκευή πάγου.

11.1. Ενεργοποίηση / απενεργοποίηση ενδείξεων

Πατήστε το κουμπί (— off) για να ακυρώσετε (XX) ή να ενεργοποιήσετε (— on) την ενεργοποίηση/ απενεργοποίηση ενδείξεων.

11.2 Απενεργοποίηση ειδοποίησης συναγερμού

Σε περίπτωση συναγερμού διακοπής ρεύματος /υψηλής θερμοκρασίας, μετά τον έλεγχο των τροφίμων που βρίσκονται στο θάλαμο κατάψυξης, πατήστε το κουμπί απενεργοποίησης του συναγερμού για να ακυρώσετε την ειδοποίηση.

12. Autoeco

Για να ενεργοποιήσετε αυτή τη λειτουργία, πατήστε για 3 δευτερόλεπτα το κουμπί auto eco (☺3). Αν η πόρτα παραμείνει κλειστή για μεγάλο χρονικό διάστημα όταν είναι ενεργοποιημένη αυτή η λειτουργία, το τμήμα συντήρησης θα μεταβεί αυτόματα σε οικονομική λειτουργία. Για να απενεργοποιήσετε αυτή τη λειτουργία, πατήστε πάλι το κουμπί.

Η ενδεικτική λυχνία θα ανάψει μετά από 12 ώρες όταν είναι ενεργή η λειτουργία auto eco. (☺)

13. Ταχεία κατάψυξη

Για ταχεία κατάψυξη, πατήστε το κουμπί . Έτσι θα ενεργοποιηθεί η ένδειξη ταχείας κατάψυξης (☼).

Όταν ενεργοποιείται η λειτουργία ταχείας κατάψυξης ανάβει η ένδειξη ταχείας κατάψυξης και η ένδειξη θερμοκρασίας του θαλάμου κατάψυξης θα δείχνει την τιμή -27. Πατήστε το κουμπί Ταχείας κατάψυξης (☼) πάλι για να ακυρώσετε αυτή τη λειτουργία. Η ένδειξη ταχείας κατάψυξης θα σβήσει και η συσκευή θα επιστρέψει στην κανονική ρύθμιση.

Η λειτουργία ταχείας κατάψυξης θα ακυρωθεί αυτόματα μετά από 24 ώρες, εκτός αν ακυρωθεί νωρίτερα από το χρήστη. Για να καταψύξετε μεγάλη ποσότητα νωπών τροφίμων, πατήστε το κουμπί ταχείας κατάψυξης 24 ώρες πριν τοποθετήσετε τα τρόφιμα στο θάλαμο κατάψυξης.

14. Μετατροπή Κελσίου/Φαρενάιτ

Οι τιμές θερμοκρασίας μπορούν να μετατραπούν μεταξύ Κελσίου και Φαρενάιτ με πάτημα του πλήκτρου ταχείας κατάψυξης (☼) και του πλήκτρου ταχείας ψύξης (☼) για 3 δευτερόλεπτα

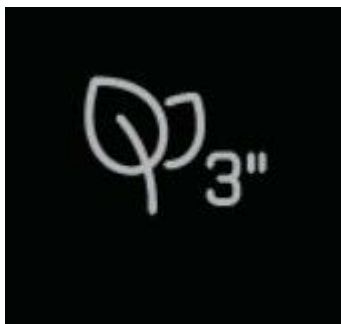
6.3 Μονάδα εξουδετέρωσης δυσάρεστων οσμών

***Ενδέχεται να μη διατίθεται σε όλα τα μοντέλα**

Η μονάδα εξουδετέρωσης δυσάρεστων οσμών εξουδετερώνει γρήγορα τις δυσοσμίες στο ψυγείο σας πριν αυτές εισχωρήσουν μόνιμα στις επιφάνειες. Χάρη σε αυτή την μονάδα, η οποία βρίσκεται στην οροφή του θαλάμου συντήρησης, οι δυσοσμίες διαλύονται καθώς ο αέρας μεταφέρεται ενεργά μέσα από το φίλτρο οσμών, και στη συνέχεια αφού έχει καθαριστεί από το φίλτρο εκβάλλεται πίσω στον θάλαμο συντήρησης. Με αυτόν τον τρόπο, οι δυσοσμίες που μπορεί να προκύψουν κατά την αποθήκευση τροφίμων στο ψυγείο εξολοθρεύονται πριν εισχωρήσουν μόνιμα στις επιφάνειες.

Αυτό επιτυγχάνεται χάρη στον ανεμιστήρα, το φως LED, και το φίλτρο οσμών που βρίσκεται ενσωματωμένο στην μονάδα.

Για να χρησιμοποιήσετε την μονάδα εξουδετέρωσης δυσοσμιών, ενεργοποιήστε την από το ενδεικτικό κουμπί.



6.4 Συρτάρι λαχανικών με ελεγχόμενη υγρασία ((FreSHelf+)

***Ενδέχεται να μη διατίθεται σε όλα τα μοντέλα**

Χάρη στο συρτάρι λαχανικών με ελεγχόμενη υγρασία, τα λαχανικά και τα φρούτα μπορούν να αποθηκεύονται για μεγαλύτερα χρονικά διαστήματα σε ένα περιβάλλον με ιδανικές συνθήκες υγρασίας. Με τις 3 επιλογές του συστήματος ρύθμισης της θερμοκρασίας μπροστά από το συρτάρι λαχανικών σας, μπορείτε να ελέγχετε την υγρασία μέσα στο διαμέρισμα αυτό ανάλογα με τα τρόφιμα που αποθηκεύετε. Σας συνιστούμε να αποθηκεύετε τα τρόφιμά σας επιλέγοντας την επιλογή λαχανικά όταν αποθηκεύετε μόνο λαχανικά, την επιλογή φρούτα όταν αποθηκεύετε μόνο φρούτα και την επιλογή ανάμεικτα όταν αποθηκεύετε ανάμεικτα τρόφιμα.

Σας συνιστούμε να μην αποθηκεύετε λαχανικά και φρούτα σε σακούλες, για να αυξήσετε την περίοδο αποθήκευσης και να χρησιμοποιείτε το σύστημα ελέγχου υγρασίας με τον πιο ωφέλιμο τρόπο. Η διατήρηση των λαχανικών σε πλαστικές σακούλες οδηγεί στην δημιουργία μούχλας σε μικρό χρονικό διάστημα. Σας συνιστούμε να μην αποθηκεύετε λαχανικά, ειδικά αγγούρια και μπρόκολο, σε πλαστικές σακούλες. Σε περιπτώσεις όπου δεν προτιμάται η επαφή των λαχανικών μεταξύ τους, χρησιμοποιήστε υλικά συσκευασίας όπως χαρτί το οποίο έχει μεγάλο πορώδες, για λόγους υγιεινής.

Κατά την τοποθέτηση των λαχανικών, τοποθετήστε τα μεγάλα και βαριά λαχανικά στο κάτω μέρος και τα ελαφριά και μαλακά στο πάνω, λαμβάνοντας υπόψιν τα ειδικά βάρη των λαχανικών.

Μην τοποθετείτε φρούτα με μεγάλη παραγωγή αερίου αιθυλενίου όπως αχλάδια, βερίκοκα, ροδάκινα και κυρίως μήλα στο ίδιο συρτάρι λαχανικών με άλλα λαχανικά και φρούτα. Το αέριο αιθυλένιο το οποίο εκπέμπεται από αυτά τα φρούτα μπορεί να προκαλέσει την ταχύτερη ωρίμανση άλλων λαχανικών και φρούτων και να προκαλέσει την δημιουργία μούχλας σε μικρότερο χρονικό διάστημα.

6.5 Μπλε φως/Τεχνολογία Vitamin Care

***Ενδέχεται να μη διατίθεται σε όλα
τα μοντέλα**

Για το μπλε φως,

Τα φρούτα και λαχανικά που έχουν αποθηκευτεί στα συρτάρια λαχανικών που φωτίζονται με μπλε φως συνεχίζουν τη φωτοσύνθεσή τους λόγω της επίδρασης του μήκους κύματος του μπλε φωτός και έτσι διατηρούν για περισσότερο χρόνο την περιεχόμενη βιταμίνη C.

Για το VitaminCare+,

Τα φρούτα και λαχανικά που έχουν αποθηκευτεί σε συρτάρια λαχανικών που φωτίζονται με τεχνολογία VitaminCare+ διατηρούν τις περιεχόμενες βιταμίνες τους Α και C για μεγαλύτερο χρονικό διάστημα χάρη στους κύκλους με μπλε, πράσινο, κόκκινο φως και σκοτάδι, που μιμούνται έναν ημερήσιο κύκλο.

Με αυτή την τεχνολογία μπορείτε να διατηρήσετε τα φρούτα και τα λαχανικά σας γευστικά και υγιή για μεγαλύτερα χρονικά διαστήματα, κάτι που σας βοηθά να ελαχιστοποιείτε την σπατάλη τροφίμων στο σπίτι.

Αν ανοίξετε την πόρτα του ψυγείου κατά τη σκοτεινή περίοδο της τεχνολογίας VitaminCare+, το ψυγείο θα το ανιχνεύσει αυτόματα και θα ενεργοποιήσει το μπλε, πράσινο ή κόκκινο φως για να φωτίσει το συρτάρι λαχανικών για διευκόλυνσή σας. Αφού κλείσετε την πόρτα του ψυγείου, η σκοτεινή περίοδος θα συνεχιστεί, αντιπροσωπεύοντας τη νύχτα σε έναν ημερήσιο κύκλο.

ENG

ES

SV

NO

FI

DA

PT

EL

6.6 Χρήση του διανομέα νερού (για ορισμένα μοντέλα)

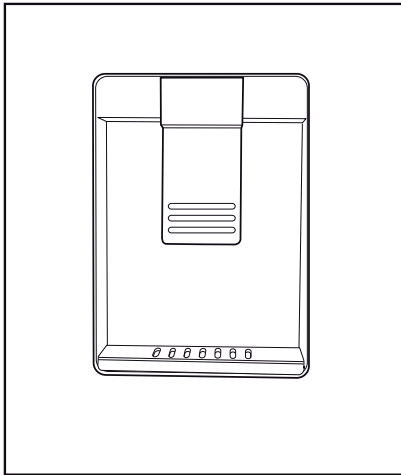


Τα πρώτα λίγα ποτήρια νερού που θα ληφθούν από το διανομέα κανονικά θα είναι ζεστά.



Αν ο διανομέας νερού δεν χρησιμοποιηθεί για πολύ χρόνο, πετάξτε τα πρώτα λίγα ποτήρια νερού για να έχετε καθαρό νερό.

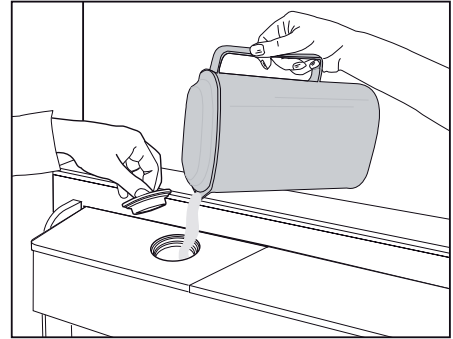
Πρέπει να περιμένετε τουλάχιστον 12 ώρες για να λάβετε κρύο νερό μετά την πρώτη λειτουργία.



Χρησιμοποιήστε την οθόνη για να επιλέξετε νερό και κατόπιν τραβήξτε το μοχλό για να πάρετε νερό. Αφαιρέστε το ποτήρι λίγο μετά αφού τραβήξετε το μοχλό.

6.7 Γέμισμα του δοχείου του διανομέα νερού

Ανοίξτε το κάλυμμα του δοχείου νερού, όπως δείχνει η εικόνα. Προσθέστε καθαρό πόσιμο νερό. Κλείστε το κάλυμμα.



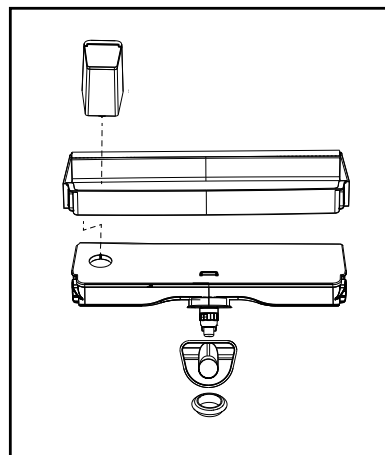
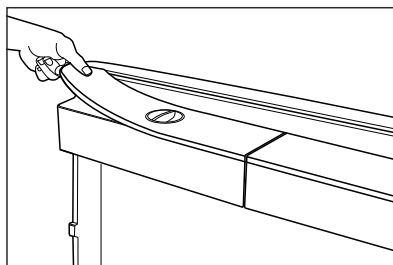
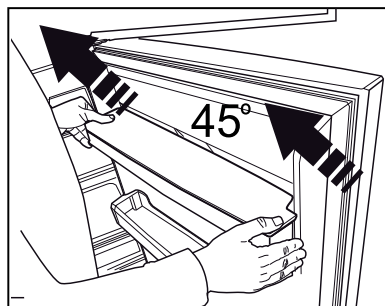
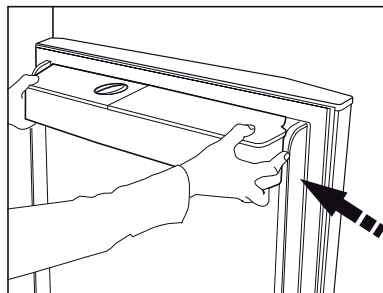
6.8 Καθαρισμός του δοχείου νερού

Αφαιρέστε το δοχείο προσθήκης νερού από μέσα από το ράφι της πόρτας.

Αποσυνδέστε το δοχείο κρατώντας και τις δύο πλευρές του ραφίου της πόρτας.

Κρατήστε και τις δύο πλευρές του δοχείου νερού και αφαιρέστε σε γωνία 45°.

Αφαιρέστε και καθαρίστε το κάλυμμα του δοχείου νερού.



Μην προσθέσετε μέσα στο δοχείο νερού χυμό φρούτων, αναψυκτικά, αλκοολούχα ποτά ή οποιαδήποτε άλλα υγρά δεν είναι συμβατά με τη χρήση στο διανομέα νερού. Η χρήση τέτοιων υγρών θα προκαλέσει δυσλειτουργία και ανεπανόρθωτη ζημιά στο διανομέα νερού. Η χρήση του διανομέα νερού με αυτό τον τρόπο δεν καλύπτεται από την εγγύηση. Ορισμένα τέτοια χημικά και πρόσθετα στα ποτά / υγρά μπορεί να προκαλέσουν υλική ζημιά στο δοχείο νερού.



Το δοχείο νερού και τα εξαρτήματα του διανομέα νερού δεν επιτρέπεται να πλένονται σε πλυντήριο πιάτων.

6.9 Διαμέρισμα γαλακτοκομικών (έντονης ψύξης)

***Ενδέχεται να μη διατίθεται σε όλα τα μοντέλα**

"Το διαμέρισμα γαλακτοκομικών (έντονης ψύξης)" παρέχει χαμηλότερη θερμοκρασία μέσα στον θάλαμο συντήρησης. Χρησιμοποιείτε αυτό το διαμέρισμα για φύλαξη αλλαντικών και άλλων ευπαθών τροφίμων (σαλάμι, λουκάνικα, γαλακτοκομικά κλπ.) που χρειάζονται χαμηλότερη θερμοκρασία φύλαξης ή κρέατος, κοτόπουλου ή ψαριών που προορίζονται για άμεση κατανάλωση. Μη φυλάσσετε φρούτα και λαχανικά σε αυτό το διαμέρισμα.

6.10 Συρτάρι λαχανικών

Το συρτάρι λαχανικών του ψυγείου έχει σχεδιαστεί για να διατηρεί τα λαχανικά φρέσκα διατηρώντας την υγρασία. Για αυτό τον λόγο, η γενική κυκλοφορία ψυχρού αέρα είναι εντονότερη μέσα στο συρτάρι λαχανικών. Φυλάξτε φρούτα και λαχανικά σε αυτό τον θάλαμο. Κρατήστε τα πράσινα λαχανικά και τα φρούτα σε διαφορετικά σημεία για να μεγιστοποιήσετε τον χρόνο ζωής τους.

6.11 Ιονιστής

***Ενδέχεται να μη διατίθεται σε όλα τα μοντέλα**


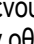
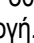

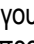
Το σύστημα ιονιστή στον αεραγωγό του θαλάμου συντήρησης έχει ως σκοπό τον ιονισμό του αέρα. Οι εκπομπές αρνητικών ιόντων εξουδετερώνουν τα βακτήρια και άλλα μόρια που προκαλούν δυσοσμία στον αέρα.

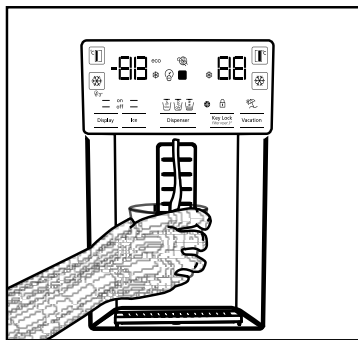
6.12 Φίλτρο εξουδετέρωσης οσμών

***Ενδέχεται να μη διατίθεται σε όλα τα μοντέλα**

Το φίλτρο εξουδετέρωσης οσμών στον αεραγωγό του θαλάμου συντήρησης αποτρέπει την δημιουργία δυσάρεστων οσμών.

6.13 Λήψη πάγου / νερού (προαιρ.)

Για τη λήψη νερού () / παγοκύβων () / θρυμματισμένου πάγου () χρησιμοποιήστε την οθόνη για να επιλέξετε την αντίστοιχη επιλογή. Λάβετε νερό/πάγο σπρώχνοντας προς τα εμπρός το μοχλό του διανομέα νερού. Κατά την αλλαγή μεταξύ των επιλογών παγοκύβων () / θρυμματισμένου πάγου () μπορεί να εξάγεται πάγος του προηγούμενου τύπου για λίγες ακόμη φορές.



- Πρέπει να περιμένετε τουλάχιστον 12 ώρες πριν πάρετε πρώτη φορά πάγο από το διανομέα πάγου / νερού. Ο διανομέας ίσως να μην παρέχει πάγο αν δεν υπάρχει επαρκής πάγος μέσα στο κουτί πάγου.
- Οι 30 παγοκύβοι (3-4 λίτρα) που θα ληφθούν μετά την πρώτη λειτουργία δεν θα πρέπει να χρησιμοποιηθούν.
- Σε περίπτωση διακοπής ρεύματος ή προσωρινής δυσλειτουργίας, ο πάγος μπορεί να λιώσει εν μέρει και να ξαναπαγώσει. Αυτό θα κάνει τα κομμάτια του πάγου να ενωθούν μεταξύ τους. Σε περίπτωση παρατεταμένης διακοπής ρεύματος ή δυσλειτουργίας, ο πάγος μπορεί να λιώσει και να τρέξει νερό. Αν αντιμετωπίσετε αυτό το πρόβλημα, αφαιρέστε τον πάγο από το κουτί πάγου και καθαρίστε το κουτί.

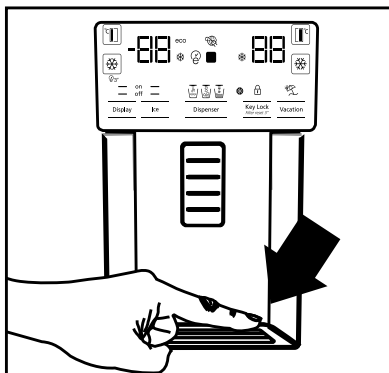


ΠΡΟΕΙΔΟΠΟΙΗΣΗ: Το σύστημα νερού του προϊόντος θα πρέπει να συνδέεται μόνο σε κρύο νερό. Μην το συνδέσετε σε γραμμική ζεστού νερού.

- Το προϊόν ενδέχεται να μην παρέχει νερό όταν λειτουργήσει για πρώτη φορά. Αυτό προκαλείται από αέρα στο σύστημα. Ο αέρας στο σύστημα πρέπει να εκκενωθεί. Για να το κάνετε αυτό σπρώξτε το μοχλό του διανομέα για 1-2 λεπτά έως ότου αρχίσει να τρέχει νερό. Η αρχική ροή νερού μπορεί να είναι ακανόνιστη. Το νερό θα αρχίσει να ρέει κανονικά αφού απομακρυνθεί ο αέρας από το σύστημα.
- Το νερό μπορεί να είναι θολό κατά την πρώτη χρήση του φίλτρου. Μην καταναλώσετε τα πρώτα 10 ποτήρια νερού.
- Πρέπει να περιμένετε τουλάχιστον 12 ώρες για να λάβετε κρύο νερό μετά την πρώτη εγκατάσταση.
- Το σύστημα νερού του προϊόντος είναι σχεδιασμένο μόνο για καθαρό νερό. Μην χρησιμοποιείτε οποιαδήποτε άλλα ποτά.
- Συνιστάται να αποσυνδέετε την παροχή νερού αν το προϊόν δεν πρόκειται να χρησιμοποιηθεί για μεγάλα χρονικά διαστήματα, όπως διακοπές κλπ.
- Αν ο διανομέας νερού δεν έχει χρησιμοποιηθεί για πολύ χρόνο, τα πρώτα 1-2 ποτήρια νερού που θα πάρετε μπορεί να είναι ζεστά.

6.14 Δίσκος συλλογής σταγόνων (προαιρ.)

Το νερό που στάζει από το διανομέα νερού συγκεντρώνεται στο δίσκο συλλογής. Δεν διατίθεται σύστημα αποστράγγισης του νερού. Τραβήξτε το δίσκο συλλογής προς τα έξω ή πιέστε στις άκρες για να τον αφαιρέσετε. Κατόπιν μπορείτε να αδειάσετε το νερό από το δίσκο συλλογής.



6.15 Παρασκευαστής πάγου (προαιρ.)

Ο παρασκευαστής πάγου βρίσκεται στο πάνω τμήμα του καλύμματος κατάψυξης. Πιάστε τις λαβές στις πλευρές του κουτιού φύλαξης πάγου και ανυψώστε το για να το αφαιρέσετε.

Αφαιρέστε το διακοσμητικό κάλυμμα του παρασκευαστή πάγου ανυψώνοντάς το.

ΛΕΙΤΟΥΡΓΙΑ

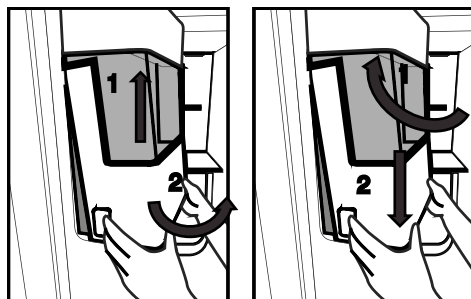
Για να αφαιρέσετε το δοχείο πάγου

Πιάστε το δοχείο φύλαξης πάγου από τις λαβές, μετακινήστε το προς τα πάνω και αφαιρέστε το.

Για να εγκαταστήσετε πάλι το δοχείο πάγου

Πιάστε το δοχείο φύλαξης πάγου από τις λαβές, μετακινήστε το προς τα πάνω υπό γωνία ώστε να

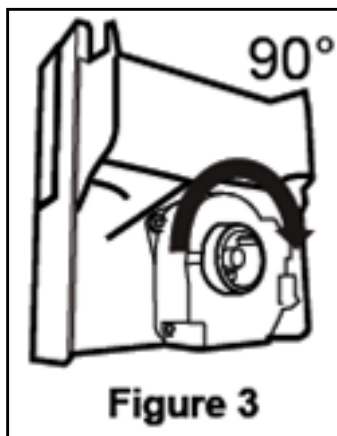
εφαρμόσουν οι πλευρές του δοχείου στις υποδοχές τους και βεβαιωθείτε ότι ο πείρος επιλογής πάγου έχει τοποθετηθεί σωστά. (Εικόνα 2)



Πιέστε το σταθερά προς τα κάτω, έως ότου δεν έχει μείνει απόσταση ανάμεσα στο δοχείο και στο πλαστικό εξάρτημα της πόρτας. (Εικόνα 2)

Αν δυσκολεύεστε να τοποθετήσετε το δοχείο, στρίψτε τον περιστροφικό μηχανισμό κατά 90° και εγκαταστήστε το πάλι όπως δείχνει η εικόνα 3.

Τυχόν ήχος που ακούγεται όταν πέφτει πάγος μέσα στο δοχείο αποτελεί μέρος της κανονικής λειτουργίας.



Όταν ο διανομέας πάγου δεν λειτουργεί κανονικά
Αν δεν αφαιρέσετε παγοκύβους για μεγάλο χρονικό διάστημα, θα δημιουργηθούν μεγαλύτερα κομμάτια πάγου. Τότε, παρακαλούμε αφαιρέστε το δοχείο φύλαξης πάγου σύμφωνα με τις παραπάνω πληροφορίες, χωρίστε τα κομμάτια πάγου, πετάξτε τα κομμάτια που δεν μπορείτε να τα χωρίσετε και τοποθετήστε τους παγοκύβους πάλι στο δοχείο φύλαξης. (Εικόνα 4)



Αν δεν βγαίνει πάγος, ελέγξτε μήπως έχει κολλήσει πάγος στο κανάλι εξόδου και αφαιρέστε τον. Ελέγχετε τακτικά το κανάλι πάγου για να απομακρύνετε τα εμπόδια όπως φαίνεται στην εικόνα 5.



Κατά την πρώτη χρήση του ψυγείου σας ή αν δεν το έχετε χρησιμοποιήσει για μεγάλο χρονικό διάστημα

Οι παγοκύβοι μπορεί να είναι μικροί λόγω ύπαρξης αέρα στο σωλήνα μετά τη σύνδεση. Ο αέρας θα απομακρυνθεί κατά την κανονική χρήση.

Πετάξτε τον πάγο που παράγεται για περίπου μία ημέρα επειδή ο σωλήνας νερού μπορεί να περιέχει ακαθαρσίες.

Προσοχή!

Μην εισάγετε το χέρι σας ή οποιοδήποτε αντικείμενο μέσα στο κανάλι πάγου και στη λεπίδα επειδή μπορεί να προξενήσει ζημιά σε εξαρτήματα ή να τραυματίσετε το χέρι σας.

Μην αφήνετε τα παιδιά να κρέμονται από το διανομέα πάγου ή το εξάρτημα παραγωγής πάγου, επειδή μπορεί να προκληθεί τραυματισμός

Για να μη σας πέσει το δοχείο φύλαξης πάγου καθώς το αφαιρείτε, να χρησιμοποιείτε και τα δύο χέρια κατά την αφαίρεσή του. Αν κλείσετε την πόρτα απότομα, μπορεί να χυθεί νερό πάνω από το δοχείο φύλαξης πάγου.

Μην αφαιρέσετε το δοχείο φύλαξης πάγου εκτός αν αυτό είναι απαραίτητο.

Αν καθώς παίρνετε σπασμένο πάγο, υπάρξει μπλοκάρισμα (δεν βγαίνει πάγος από το ψυγείο), προσπαθήστε να πάρετε παγάκια.

Κατόπιν θα μπορείτε να πάρετε πάλι σπασμένο πάγο.

Όταν παίρνετε σπασμένο πάγο, μπορεί να βγουν πρώτα παγάκια. Υπάρχει περίπτωση να βγουν παγάκια καθώς παίρνετε σπασμένο πάγο.

Στην πόρτα της κατάψυξης μπροστά από τη μονάδα παρασκευής πάγου μπορεί να δημιουργηθεί μια λεπτή στρώση πάχνης και πάγου.

Αυτό είναι φυσιολογικό και συνιστάται να καθαρίζετε την περιοχή χωρίς να περιμένετε να περάσει καιρός.

Με την πάροδο του χρόνου συσσωρεύεται νερό στο πλέγμα στην κάτω περιοχή του διανομέα νερού. Θα πρέπει να καθαρίζεται σε τακτική βάση. Συνιστάται να καθαρίζετε περιοδικά το νερό στην περιοχή αυτή.

Ο ήχος που ακούγεται ενώ πέφτει πάγος από το δοχείο αποθήκευσης πάγου είναι κανονικός και δεν υποδεικνύει πρόβλημα του προϊόντος.

Ο μηχανισμός λεπίδας μέσα στο δοχείο αποθήκευσης πάγου είναι αιχμηρός και μπορεί να σας κόψει το χέρι.

Αν ο διανομέας πάγου δεν παρέχει πάγο, μπορεί να έχουν κολλήσει μεταξύ τους τα κομμάτια πάγου, αφαιρέστε το δοχείο και καθαρίστε το πάλι.

Δεν είναι δυνατή η αλλαγή τύπου πάγου στην οθόνη όταν έχει πατηθεί ο μοχλός πάγου για τη λήψη πάγου. Ελευθερώστε το μοχλό πάγου, αλλάξτε τον τύπο πάγου στην οθόνη και επαναλάβετε τη λήψη πάγου.

6.16 Κατάψυξη νωπών τροφίμων

- Για να διατηρηθεί η ποιότητα των τροφίμων, τα είδη που τοποθετούνται μέσα στο θάλαμο κατάψυξης πρέπει να καταψύχονται όσο το δυνατόν πιο γρήγορα. Για το σκοπό αυτό, χρησιμοποιείτε τη λειτουργία ταχείας κατάψυξης.
- Για να καταψύξετε μεγάλη ποσότητα νωπών τροφίμων, πατήστε το κουμπί ταχείας κατάψυξης 24 ώρες πριν τοποθετήσετε τα τρόφιμα στο θάλαμο κατάψυξης.
- Η κατάψυξη των τροφίμων όταν είναι φρέσκα θα επεκτείνει το χρόνο φύλαξης στον θάλαμο κατάψυξης.
- Να συσκευάζετε τα τρόφιμα σε αεροστεγείς συσκευασίες και να τα σφραγίζετε καλά.
- Να βεβαιώνετε ότι τα τρόφιμα έχουν συσκευαστεί, πριν τοποθετηθούν μέσα στην κατάψυξη. Να χρησιμοποιείτε συσκευασίες ειδικές για χρήση σε κατάψυξη, αλουμινοχαρτο και χαρτί ανθεκτικό στην υγρασία, πλαστικές σακούλες ή παρόμοια υλικά συσκευασίας αντί για κλασσικό χαρτί συσκευασίας.
- Επισημαίνετε κάθε συσκευασία φαγητού αναγράφοντας την ημερομηνία πριν την καταψύξετε. Έτσι θα μπορείτε να βλέπετε τη φρεσκάδα κάθε συσκευασίας κάθε φορά που ανοίγετε την κατάψυξη. Διατηρείτε τα πιο παλιά είδη στο μπροστινό μέρος για να βεβαιωθείτε ότι θα χρησιμοποιηθούν πρώτα.
- Τα κατεψυγμένα τρόφιμα πρέπει να χρησιμοποιούνται αμέσως μετά την απόψυξη και δεν θα πρέπει να καταψύχονται πάλι.
- Μην καταψύχετε μεγάλες ποσότητες τροφίμων ταυτόχρονα.

Ρύθμιση θαλάμου κατάψυξης	Ρύθμιση θαλάμου συντήρησης	Περιγραφές
-18 °C	4 °C	Αυτή είναι η προεπιλεγμένη, συνιστώμενη ρύθμιση.
-20,-22 ή -24 °C	4 °C	Αυτές οι ρυθμίσεις συνιστώνται για θερμοκρασίες περιβάλλοντος που υπερβαίνουν τους 30 °C.
Ταχεία κατάψυξη	4 °C	Χρησιμοποιήστε τη λειτουργία Ταχείας κατάψυξης 24 ώρες πριν τοποθετήσετε τα τρόφιμα. Η συσκευή θα επανέλθει στις προηγούμενες ρυθμίσεις όταν ολοκληρωθεί η διαδικασία.
-18 °C ή χαμηλότερη θερμοκρασία	2°C	Χρησιμοποιήστε αυτές τις ρυθμίσεις αν πιστεύετε ότι ο θάλαμος συντήρησης δεν είναι αρκετά παγωμένος λόγω της θερμοκρασίας περιβάλλοντος ή επειδή ανοίγει συχνά η πόρτα της συσκευής.

6.17 Προτάσεις για την αποθήκευση κατεψυγμένων τροφίμων

- Ο θάλαμος θα πρέπει να έχει ρυθμιστεί τουλάχιστον στους -18 °C.
1. Τοποθετήστε τα τρόφιμα στην κατάψυξη όσο το δυνατόν ταχύτερα για να αποφύγετε την απόψυξη.
 2. Πριν τα καταψύξετε, ελέγξτε την «Ημερομηνία λήξης» στη συσκευασία για να βεβαιωθείτε πως δεν έχουν λήξει.
 3. Βεβαιωθείτε πως η συσκευασία των τροφίμων δεν έχει υποστεί βλάβη.

6.18 Λεπτομέρειες Βαθιάς κατάψυξης

Σύμφωνα με τα πρότυπα IEC 62552, ο καταψύκτης θα πρέπει να έχει την ικανότητα να διατηρεί παγωμένα 4,5 kg τροφίμων στους -18 °C ή χαμηλότερα για 24 ώρες για κάθε 100 λίτρα χωρητικότητας του θαλάμου κατάψυξης. Τα τρόφιμα μπορούν να διατηρούνται για μεγάλα χρονικά διαστήματα μόνο σε θερμοκρασίες μικρότερες των -18 °C. Μπορείτε να διατηρήσετε τα φαγητά φρέσκα για μήνες (σε βαθιά κατάψυξη ή σε θερμοκρασίες μικρότερες των -18 °C).

Τα τρόφιμα προς κατάψυξη δεν πρέπει να έρχονται σε επαφή με τα ήδη κατεψυγμένα τρόφιμα, ώστε να αποφευχθεί η μερική απόψυξη των δευτέρων.

Βράστε τα λαχανικά και φιλτράρετε το νερό για να επεκτείνετε τη διάρκεια φύλαξης. Τοποθετήστε τα τρόφιμα σε αεροστεγείς συσκευασίες μετά το φιλτράρισμα και τοποθετήστε τα στην κατάψυξη. Μπανάνες, ντομάτες, μαρούλι, σέλινο, βραστά αυγά, πατάτες και παρόμοια τρόφιμα δεν θα πρέπει να καταψύχονται. Η κατάψυξη αυτών των τροφίμων θα μειώσει την διατροφική τους αξία και την ποιότητά τους ως τρόφιμα, και ενδέχεται να τα αλλοιώσει, κάτι που είναι επιβλαβές για την υγεία.

6.19 Τοποθέτηση των τροφίμων

Ράφια θαλάμου κατάψυξης	Διάφορα κατεψυγμένα τρόφιμα, στα οποία περιλαμβάνονται κρέας, ψάρια, παγωτό, λαχανικά, κλπ.
Ράφια θαλάμου συντήρησης	Τρόφιμα σε δοχεία φύλαξης, πιάτα ή θήκες με κάλυμμα, αυγά (σε θήκη με κάλυμμα)
Ράφια πόρτας θαλάμου συντήρησης	Μικρά και συσκευασμένα τρόφιμα και ποτά
Συρτάρι λαχανικών	Φρούτα και λαχανικά
Διαμέρισμα νωπών τροφίμων	Ντελικατέσεν (τρόφιμα για πρωινό, προϊόντα κρέατος που θα καταναλωθούν σύντομα)

6.20 Ειδοποίηση ανοικτής πόρτας

***Ενδέχεται να μη διατίθεται σε όλα τα μοντέλα**

Ένας ηχητικός συναγερμός θα ηχήσει αν η πόρτα του προϊόντος παραμείνει ανοικτή για 1,5 λεπτά. Ο ηχητικός συναγερμός θα σταματήσει όταν η πόρτα κλείσει ή όταν πατήσετε οποιοδήποτε κουμπί στην οθόνη (αν το προϊόν σας διαθέτει).

6.21 Λάμπα φωτισμού

Ο εσωτερικός φωτισμός χρησιμοποιεί λάμπα τύπου LED. Επικοινωνήστε με την εξουσιοδοτημένη υπηρεσία σέρβις για τυχόν προβλήματα με αυτή την λυχνία.

Η λάμπα (λάμπες) που χρησιμοποιούνται σε αυτή την συσκευή δεν μπορούν να χρησιμοποιηθούν για οικιακό φωτισμό. Ο σκοπός αυτής της λάμπας είναι να βοηθά τον χρήστη να τοποθετεί τρόφιμα μέσα στο ψυγείο / καταψύκτη με ασφάλεια και άνεση.

7 Συντήρηση και καθαρισμός



ΠΡΟΕΙΔΟΠΟΙΗΣΗ:

Διαβάστε την ενότητα «Οδηγίες Ασφαλείας» πρώτα!.



ΠΡΟΕΙΔΟΠΟΙΗΣΗ:

Αποσυνδέστε το ψυγείο πριν το καθαρίσετε.

Μην χρησιμοποιείτε για τον καθαρισμό του προϊόντος αιχμηρά εργαλεία ή εργαλεία που χαράζουν. Μην χρησιμοποιείτε ουσίες όπως οικιακά προϊόντα καθαρισμού, σαπούνι, απορρυπαντικά, πετρέλαιο, βενζίνη, αλκοόλ, κεριά κλπ. Θα πρέπει να αφαιρείτε την σκόνη από την σχάρα του συστήματος αερισμού στο πίσω μέρος του προϊόντος τουλάχιστον μια φορά τον χρόνο (χωρίς να ανοίξετε το κάλυμμα). Ο καθαρισμός θα πρέπει να γίνεται με ένα στεγνό πανί. Φροντίστε να κρατήσετε το νερό μακριά από το κάλυμμα της λυχνίας και από άλλα ηλεκτρικά εξαρτήματα. Καθαρίστε την πόρτα με ένα ελαφρώς υγρό πανί. Αφαιρέστε όλα τα περιεχόμενα για να αφαιρέσετε τα ράφια της πόρτας και του κορμού. Αφαιρέστε τα ράφια της πόρτας σπκώνοντάς τα προς τα πάνω. Καθαρίστε και στεγνώστε τα ράφια, και στην συνέχεια τοποθετήστε τα στην θέση τους από το πάνω μέρος. Μην χρησιμοποιείτε χλωριωμένο νερό ή παρόμοια καθαριστικά προϊόντα στην εξωτερική επιφάνεια και στα σημεία του προϊόντος με μεταλλική επικάλυψη. Η χλωρίνη θα οδηγήσει σε δημιουργία σκουριάς σε αυτές τις μεταλλικές επιφάνειες. Μην χρησιμοποιείτε αιχμηρά εργαλεία και εργαλεία που χαράζουν, σαπούνι, προϊόντα καθαρισμού

οικιακής χρήσης, απορρυπαντικά, πετρέλαιο, βενζίνη, βερνίκι και αντίστοιχες ουσίες, για να προστατεύσετε τα πλαστικά εξαρτήματα από παραμόρφωση και από αφαίρεση τυπωμένων ενδείξεων. Χρησιμοποιείτε χλιαρό νερό και ένα απαλό ύφασμα για τον καθαρισμό, και στην συνέχεια στεγνώνετε το προϊόν. Σε προϊόντα χωρίς λειτουργία No-Frost, μπορεί να προκύψει σχηματισμός σταγονιδίων νερού και δημιουργία πάγου με πάχος έως ενός δαχτύλου στο πίσω τοίχωμα του θαλάμου κατάψυξης. Μην το καθαρίζετε, και ποτέ μη χρησιμοποιήσετε λάδια ή παρόμοια υλικά.

Χρησιμοποιήστε ένα ελαφρώς υγρό ύφασμα από μικροϊνες για να καθαρίσετε την εξωτερική επιφάνεια του προϊόντος. Σφουγγάρια και άλλα είδη καθαριστικών υφασμάτων μπορεί να προκαλέσουν γρατσουνιές. Για να καθαρίσετε όλα τα αφαιρούμενα εξαρτήματα κατά τον καθαρισμό της εσωτερικής επιφάνειας του προϊόντος, καθαρίστε αυτά τα συστατικά με ένα ήπιο διάλυμα το οποίο αποτελείται από σαπούνι, νερό και μαγειρική σόδα. Καθαρίστε και σκουπίστε προσεκτικά. Αποτρέπετε την επαφή νερού με τα εξαρτήματα φωτισμού και τον πίνακα ελέγχου.



ΠΡΟΣΟΧΗ:

Μην χρησιμοποιείτε ξύδι, οινόπνευμα ή άλλα αλκοολούχα υλικά σε οποιαδήποτε εσωτερική επιφάνεια.

7.1 Εξωτερικές επιφάνειες από ανοξειδωτο χάλυβα

Χρησιμοποιήστε ένα καθαριστικό που δεν χαράζει και εφαρμόστε το με ένα απαλό ύφασμα που δεν αφήνει κνούδι. Για να γυαλίσετε την επιφάνεια, σκουπίστε τη απαλά με ένα ύφασμα μικροϊνών που έχετε υγράνει ελαφρά με νερό και χρησιμοποιήστε σαμούα για στεγνό γυάλισμα. Πάντα να ακολουθείτε τα νερά στον ανοξειδωτο χάλυβα.

7.2 Καθαρισμός των Προϊόντων με γυάλινες πόρτες

Αφαιρέστε την προστατευτική μεμβράνη από τα γυάλινα εξαρτήματα.

Στην επιφάνεια των γυάλινων εξαρτημάτων υπάρχει μία επίστρωση. Αυτή η επίστρωση ελαχιστοποιεί τον σχηματισμό λεκέδων και βοηθάει στο εύκολο καθαρισμό των λεκέδων και των ακαθαρσιών που έχουν σχηματιστεί.

Γυάλινα εξαρτήματα που δεν προστατεύονται από επίστρωση μπορεί να εκτεθούν σε οργανικούς ή ανόργανους ρύπους, αέριας ή υγρής μορφής με αποτέλεσμα τη μόνιμη ένωση με οργανικές ή ανόργανες, αέριας ή υγρές ρυπαντικές ουσίες, όπως άλατα ασβεστίου, άλλα ανόργανα άλατα, οργανικών ή ανόργανων, υδρογονάνθρακες οι οποίοι δεν έχουν υποστεί καύση, οξειδία μετάλλων και σιλικόνες, ουσίες οι οποίες μπορούν εύκολα να προκαλέσουν χρωματισμό και φυσικές βλάβες σε μικρό χρονικό διάστημα. Η διατήρηση της καθαριότητας τέτοιων γυάλινων εξαρτημάτων μπορεί να γίνει πολύ δύσκολη, αν όχι ανέφικτη, παρά τον συχνό καθαρισμό τους. Ως αποτέλεσμα, η διαφάνεια και η εμφάνιση των γυάλινων εξαρτημάτων υποβαθμίζεται. Καθαριστικά και παράγοντες υψηλής δραστηριότητας ή που χαράζουν αυξάνουν περαιτέρω αυτές τις ατέλειες και επιταχύνουν την διαδικασία της φθοράς.

Για διαδικασίες καθαρισμού ρουτίνας, *πρέπει να χρησιμοποιούνται μη-αλκαλικά και μη-διαβρωτικά καθαριστικά με βάση το νερό.

Για να αυξήσετε τη διάρκεια ζωής αυτής της επικάλυψης, δεν θα πρέπει να χρησιμοποιείται αλκαλικές και διαβρωτικές ουσίες κατά τον καθαρισμό.

Σε αυτά τα γυάλινα εξαρτήματα εφαρμόζεται μια διαδικασία σκλήρυνσης για να αυξηθεί η ανθεκτικότητά τους σε χτυπήματα και θραύση.

Ως επιπρόσθετο μέτρο ασφαλείας, έχει εφαρμοστεί μια μεμβράνη προστασίας στην πίσω επιφάνεια αυτών των γυάλινων εξαρτημάτων για να μην προκληθεί περιβαλλοντική ζημιά αν σπάσει.

7.3 Αποτροπή δυσοσμίας

Το προϊόν έχει κατασκευαστεί χωρίς την χρήση προϊόντων που προκαλούν δυσοσμία. Ωστόσο, η διατήρηση τροφίμων σε ακατάλληλα τμήματα της συσκευής και ο λανθασμένος καθαρισμός των εσωτερικών επιφανειών μπορεί να οδηγήσουν σε δυσοσμία.

Για να το αποφύγετε, καθαρίζετε το εσωτερικό του με ανθρακούχο νερό κάθε 15 μέρες.

- Διατηρείτε τα τρόφιμα σε σφραγισμένες συσκευασίες. Από τα μη σφραγισμένα τρόφιμα μπορεί να εξαπλωθούν μικροοργανισμοί που προκαλούν δυσοσμία.
- Μην διατηρείτε μέσα στο ψυγείο τρόφιμα που έχουν αλλοιωθεί ή λήξει.



Το τσάι είναι από τα καλύτερα καθαριστικά οσμών. Τοποθετήστε τον πολτό από βρασμένο τσάι σε ένα ανοιχτό δοχείο μέσα στο προϊόν και αφαιρέστε το μετά από 12 ώρες το αργότερο. Αν διατηρήσετε το τσάι στο ψυγείο για πάνω από 12 ώρες, θα συγκεντρώσει οργανισμούς που προκαλούν δυσοσμία, οπότε θα γίνει και το ίδιο εστία δυσοσμίας.

7.4 Προστασία των πλαστικών επιφανειών

Αν χυθεί λάδι σε πλαστικές επιφάνειες, αυτό μπορεί να προκαλέσει ζημιά στην επιφάνεια και θα πρέπει να καθαριστεί άμεσα με χλιαρό νερό.

8 Επίλυση προβλημάτων

Ελέγξτε αυτή τη λίστα πριν απευθυνθείτε στο σέρβις. Αν το κάνετε αυτό θα εξοικονομήσετε χρόνο και χρήματα. Αυτή η λίστα περιλαμβάνει συχνά παράπονα που δεν έχουν σχέση με ελαττωματική εργασία ή υλικά. Ορισμένες λειτουργίες που αναφέρονται εδώ ίσως να μην έχουν εφαρμογή στο προϊόν σας.

Το ψυγείο δεν λειτουργεί.

- Το φινις ρευματοληψίας δεν έχει εισαχθεί πλήρως. >>> **Συνδέστε το ώστε να εισέλθει πλήρως στην πρίζα.**
- Έχει καεί η ασφάλεια που συνδέεται στην πρίζα που τροφοδοτεί το προϊόν ή η γενική ασφάλεια. >>> **Ελέγξτε τις ασφάλειες.**

Συμπύκνωση στο πλευρικό τοίχωμα του θαλάμου συντήρησης (MULTI ZONE, COOL, CONTROL και FLEXI ZONE).

- Η πόρτα ανοιγόταν πολύ συχνά >>> **Προσέξτε να μην ανοίγετε πολύ συχνά την πόρτα του προϊόντος.**
- Το περιβάλλον είναι πολύ υγρό. >>> **Μην εγκαταστήσετε το προϊόν σε υγρό περιβάλλον.**
- Τρόφιμα που περιέχουν υγρά φυλάσσονται σε ανοικτά δοχεία. >>> **Να διατηρείτε τα τρόφιμα που περιέχουν υγρά σε κλειστά δοχεία.**
- Η πόρτα του προϊόντος έχει μείνει ανοικτή. >>> **Μην κρατάτε την πόρτα του προϊόντος ανοικτή για πολλή ώρα.**
- Ο θερμοστάτης έχει ρυθμιστεί σε πολύ χαμηλή θερμοκρασία. >>> **Ρυθμίστε το θερμοστάτη σε κατάλληλη θερμοκρασία.**

Ο συμπιεστής δεν λειτουργεί.

- Σε περίπτωση αιφνίδιας διακοπής ρεύματος ή αποσύνδεσης του φινις ρευματοληψίας από την πρίζα και επανασύνδεσής του, η πίεση αερίου στο ψυκτικό σύστημα του προϊόντος δεν είναι ισορροπημένη, με αποτέλεσμα να ενεργοποιείται η θερμική προστασία του συμπιεστή. Το προϊόν θα αρχίσει πάλι να λειτουργεί μετά από περίπου 6 λεπτά. Αν η λειτουργία του προϊόντος δεν ξεκινήσει πάλι μετά από αυτό το χρονικό διάστημα, απευθυνθείτε στο σέρβις.
- Η απόψυξη είναι ενεργή. >>> **Αυτό είναι φυσιολογικό για προϊόν με πλήρως αυτόματη απόψυξη. Η απόψυξη διενεργείται περιοδικά.**
- Το προϊόν δεν έχει συνδεθεί στην πρίζα. >>> **Βεβαιωθείτε ότι έχει συνδεθεί το καλώδιο ρεύματος.**
- Η ρύθμιση θερμοκρασίας είναι λανθασμένη. >>> **Επιλέξτε την κατάλληλη ρύθμιση θερμοκρασίας.**
- Έγινε διακοπή ρεύματος. >>> **Το προϊόν θα συνεχίσει να λειτουργεί κανονικά όταν αποκατασταθεί το ρεύμα.**

Ο θόρυβος λειτουργίας του ψυγείου αυξάνεται κατά τη χρήση.

- Η απόδοση λειτουργίας του προϊόντος μπορεί να διαφέρει ανάλογα με τις μεταβολές της θερμοκρασίας περιβάλλοντος. Αυτό είναι φυσιολογικό και δεν αποτελεί δυσλειτουργία.

Το ψυγείο τίθεται σε λειτουργία πολύ συχνά ή όχι για πολύ χρόνο.

- Το νέο προϊόν μπορεί να είναι μεγαλύτερο από το προηγούμενο. Τα μεγαλύτερα προϊόντα θα λειτουργούν για μεγαλύτερη χρονική διάρκεια.
- Η θερμοκρασία του δωματίου μπορεί να είναι υψηλή. >>> **Το προϊόν κανονικά θα λειτουργεί για μεγαλύτερα χρονικά διαστήματα για μεγαλύτερη θερμοκρασία δωματίου.**
- Το προϊόν μπορεί να έχει συνδεθεί πρόσφατα στην πρίζα ή μπορεί να τοποθετήθηκαν νέα τρόφιμα στο εσωτερικό του. >>> **Θα χρειαστεί περισσότερος χρόνος για να φθάσει το προϊόν τη ρυθμισμένη θερμοκρασία όταν έχει συνδεθεί πρόσφατα στην πρίζα ή τοποθετήθηκαν νέα τρόφιμα στο εσωτερικό του. Αυτό είναι φυσιολογικό.**
- Μπορεί να τοποθετήθηκαν πρόσφατα μεγάλες ποσότητες θερμών τροφίμων μέσα στο προϊόν. >>> **Μην τοποθετείτε μέσα στο προϊόν ζεστά τρόφιμα.**
- Οι πόρτες ανοίγονταν συχνά ή διατηρήθηκαν ανοικτές για μεγάλες χρονικές περιόδους. >>> **Ο ζεστός αέρας που εισέρχεται στο εσωτερικό του, θα κάνει το προϊόν να λειτουργεί για περισσότερο χρόνο. Μην ανοίγετε τις πόρτες πολύ συχνά.**
- Η πόρτα κατάψυξης ή συντήρησης μπορεί να είναι μισάνοικτη >>> **Ελέγξτε ότι οι πόρτες έχουν κλείσει καλά.**
- Το προϊόν μπορεί να έχει ρυθμιστεί σε πολύ χαμηλή θερμοκρασία. >>> **Ρυθμίστε τη θερμοκρασία σε υψηλότερη θερμοκρασία και περιμένετε να επιτύχει το προϊόν τη ρυθμισμένη θερμοκρασία.**
- Η στεγανοποίηση της πόρτας συντήρησης ή κατάψυξης μπορεί να είναι λερωμένη, φθαρμένη, σπασμένη ή να μην εδράζει σωστά. >>> **Καθαρίστε ή αντικαταστήστε τη στεγανοποίηση. Αν η στεγανοποίηση της πόρτας έχει υποστεί ζημιά / φθορά, το προϊόν θα λειτουργεί για μεγαλύτερες περιόδους για να διατηρήσει την τρέχουσα θερμοκρασία.**

Η θερμοκρασία κατάψυξης είναι πολύ χαμηλή, αλλά η θερμοκρασία της συντήρησης είναι επαρκής.

- Η θερμοκρασία του θαλάμου κατάψυξης έχει ρυθμιστεί σε πολύ μικρή τιμή. >>> **Ρυθμίστε τη θερμοκρασία του θαλάμου κατάψυξης σε υψηλότερη τιμή και ελέγξτε πάλι.**

Η θερμοκρασία συντήρησης είναι πολύ χαμηλή, αλλά η θερμοκρασία της κατάψυξης είναι επαρκής.

- Η θερμοκρασία του θαλάμου συντήρησης έχει ρυθμιστεί σε πολύ μικρή τιμή. >>> **Ρυθμίστε τη θερμοκρασία του θαλάμου συντήρησης σε υψηλότερη τιμή και ελέγξτε πάλι.**

Τα τρόφιμα που φυλάσσονται στα συρτάρια του θαλάμου συντήρησης είναι παγωμένα.

- Η θερμοκρασία του θαλάμου συντήρησης έχει ρυθμιστεί σε πολύ μικρή τιμή. >>> **Ρυθμίστε τη θερμοκρασία του θαλάμου κατάψυξης σε υψηλότερη τιμή και ελέγξτε πάλι.**

Η θερμοκρασία στη συντήρηση ή κατάψυξης είναι πολύ υψηλή.

- Η θερμοκρασία του θαλάμου συντήρησης έχει ρυθμιστεί σε πολύ υψηλή τιμή. >>> **Η ρύθμιση της θερμοκρασίας θαλάμου συντήρησης επηρεάζει τη θερμοκρασία θαλάμου κατάψυξης. Αλλάξτε τη θερμοκρασία του θαλάμου συντήρησης ή κατάψυξης και περιμένετε έως ότου οι αντιστοιχοί θάλαμοι έχουν επιτύχει το ρυθμισμένο επίπεδο θερμοκρασίας.**
- Οι πόρτες ανοίγονταν συχνά ή διατηρήθηκαν ανοικτές για μεγάλες χρονικές περιόδους. >>> **Μην ανοίγετε τις πόρτες πολύ συχνά.**
- Η πόρτα μπορεί να είναι μισάνοικτη. >>> **Κλείστε τελείως την πόρτα.**
- Το προϊόν μπορεί να έχει συνδεθεί πρόσφατα στην πρίζα ή μπορεί να τοποθετήθηκαν νέα τρόφιμα στο εσωτερικό του. >>> **Αυτό είναι φυσιολογικό. Θα χρειαστεί περισσότερος χρόνος για να φθάσει το προϊόν τη ρυθμισμένη θερμοκρασία όταν έχει συνδεθεί πρόσφατα στην πρίζα ή τοποθετήθηκαν νέα τρόφιμα στο εσωτερικό του.**
- Μπορεί να τοποθετήθηκαν πρόσφατα μεγάλες ποσότητες θερμών τροφίμων μέσα στο προϊόν. >>> **Μην τοποθετείτε μέσα στο προϊόν ζεστά τρόφιμα.**

Ταλάντευση ή θόρυβος

- Το δάπεδο δεν είναι επίπεδο, οριζόντιο και ανθεκτικό. >>> **Αν το προϊόν ταλαντεύεται όταν το μετακινείτε αργά, ρυθμίστε τα πόδια για να ισορροπήσετε το προϊόν. Επίσης βεβαιωθείτε ότι το δάπεδο έχει αρκετή φέρουσα ικανότητα ώστε να αντέχει το προϊόν.**
- Οποιαδήποτε είδη έχουν τοποθετηθεί πάνω στο προϊόν μπορεί να προκαλέσουν θόρυβο. >>> **Αφαιρέστε οποιαδήποτε είδη έχουν τοποθετηθεί πάνω στο προϊόν.**

Το προϊόν παράγει θόρυβο ροής ή ψεκασμού υγρού κλπ.

- Οι αρχές λειτουργίας του προϊόντος περιλαμβάνουν ροή υγρού και αερίου. >>> **Αυτό είναι φυσιολογικό και δεν αποτελεί δυσλειτουργία.**

Ακούγεται φύσημα αέρα από το προϊόν.

- Το προϊόν χρησιμοποιεί έναν ανεμιστήρα για τη διαδικασία ψύξης. Αυτό είναι φυσιολογικό και δεν αποτελεί δυσλειτουργία.

Υπάρχει συμπύκνωση στα εσωτερικά τοιχώματα του προϊόντος.

- Ο θερμός ή υγρός καιρός μπορεί να αυξήσει τη συσσώρευση πάγου και τη συμπύκνωση. Αυτό είναι φυσιολογικό και δεν αποτελεί δυσλειτουργία.
- Οι πόρτες ανοίγονταν συχνά ή διατηρήθηκαν ανοικτές για μεγάλες χρονικές περιόδους. >>> **Μην ανοίγετε τις πόρτες πολύ συχνά, αν κάποια πόρτα είναι ανοικτή, κλείστε την.**
- Η πόρτα μπορεί να είναι μισάνοικτη. >>> **Κλείστε τελείως την πόρτα.**

Υπάρχει συμπύκνωση στα εξωτερικά τοιχώματα του προϊόντος ή ανάμεσα στις πόρτες.

- Ο καιρός μπορεί να είναι υγρός, αυτό είναι πολύ φυσιολογικό σε κρύο καιρό. >>> **Η συμπύκνωση θα πάψει όταν μειωθεί η υγρασία.**

Δυσσομία στο εσωτερικό.

- Το προϊόν δεν καθαρίζεται τακτικά.
>>> **Καθαρίζετε το εσωτερικό τακτικά με σφουγγάρι, χλιαρό νερό και διάλυμα μαγειρικής σόδας σε νερό.**
- Ορισμένες συσκευασίες και υλικά συσκευασίας μπορεί να παράγουν οσμές. >>> **Χρησιμοποιείτε δοχεία και υλικά συσκευασίας που δεν παράγουν οσμές.**
- Τα τρόφιμα τοποθετήθηκαν σε μη σφραγισμένα δοχεία. >>> **Να διατηρείτε τα τρόφιμα σε σφραγισμένα δοχεία Από τα μη σφραγισμένα τρόφιμα μπορεί να εξαπλωθούν μικροοργανισμοί και να προκληθούν δυσάρεστες οσμές.**
- Απομακρύνετε από το προϊόν τυχόν τρόφιμα που έχουν λήξει ή αλλοιωθεί.



ΠΡΟΕΙΔΟΠΟΙΗΣΗ: Αν το πρόβλημα επιμένει αφού ακολουθήσετε τις οδηγίες σε αυτή την ενότητα, απευθυνθείτε στο κατάστημα αγοράς ή σε Εξουσιοδοτημένο σέρβις. Μην επιχειρήσετε να επισκευάσετε μόνοι σας το προϊόν.

Η πόρτα δεν κλείνει.

- Οι συσκευασίες των τροφίμων μπορεί να εμποδίζουν την πόρτα. >>> **Αλλάξτε θέση σε τυχόν είδη που εμποδίζουν τις πόρτες.**
- Το προϊόν δεν στέκεται σε τελειώς όρθια θέση στο δάπεδο. >>> **Ρυθμίστε τα πόδια για να ισορροπήσετε σωστά το προϊόν.**
- Το δάπεδο δεν είναι επίπεδο, οριζόντιο και ανθεκτικό. >>> **Βεβαιωθείτε ότι το δάπεδο είναι επίπεδο και οριζόντιο και αρκετά ανθεκτικό για το βάρος του προϊόντος.**

Το συρτάρι λαχανικών έχει σφηνώσει.

- Τα τρόφιμα μπορεί να έρχονται σε επαφή με το άνω τμήμα του συρταριού. >>> **Αναδιοργανώστε τα τρόφιμα μέσα στο συρτάρι.**

Αν Η Επιφάνεια Του Προϊόντος Είναι Θερμη.

- Ενδέχεται να παρατηρηθούν υψηλές θερμοκρασίες ανάμεσα στις δύο πόρτες, στα πλευρικά πλαίσια και στην πίσω σχάρα κατά τη λειτουργία του προϊόντος. Αυτό είναι φυσιολογικό και το προϊόν δεν χρειάζεται συντήρηση! Προσοχή όταν αγγίζετε αυτές τις επιφάνειες.

ΑΠΟΠΟΙΗΣΗ ΕΥΘΥΝΗΣ / ΠΡΟΕΙΔΟΠΟΙΗΣΗ

Ορισμένα (απλά) προβλήματα μπορούν να αντιμετωπιστούν ικανοποιητικά από τον τελικό χρήστη χωρίς να προκύπτει κάποιο πρόβλημα ασφάλειας ή μη ασφαλής χρήση, εφόσον οι διορθωτικές ενέργειες πραγματοποιούνται μέσα στα όρια και σύμφωνα με τις οδηγίες που ακολουθούν (δείτε την ενότητα "Εξ ιδίων επισκευή").

Επομένως, εκτός αν επιτρέπεται διαφορετικά στην παρακάτω ενότητα "Εξ ιδίων επισκευή", οι επισκευές θα πρέπει να ανατίθενται σε αναγνωρισμένους επαγγελματίες τεχνικούς επισκευών, ώστε να αποφεύγονται προβλήματα με την ασφάλεια. Ένας αναγνωρισμένος επαγγελματίας τεχνικός επισκευών είναι ένας επαγγελματίας τεχνικός επισκευών στον οποίο έχει δοθεί από τον κατασκευαστή πρόσβαση στις οδηγίες και στη λίστα ανταλλακτικών του προϊόντος σύμφωνα με τις μεθόδους που περιγράφονται σε νομοθετικές πράξεις με βάση την Οδηγία 2009/125/ΕΚ.

Ωστόσο, μόνο ο εκπρόσωπος σέρβις (δηλ. εξουσιοδοτημένοι επαγγελματίες τεχνικοί επισκευών) με τον οποίο μπορείτε να επικοινωνήσετε μέσω του αριθμού τηλεφώνου που αναφέρεται στο εγχειρίδιο χρήσης/στην κάρτα εγγύησης ή μέσω του τοπικού σας εξουσιοδοτημένου καταστήματος μπορεί να παρέχει σέρβις σύμφωνα με τους όρους της εγγύησης. Επομένως, έχετε υπόψη σας ότι οι επισκευές από επαγγελματίες τεχνικούς επισκευών (οι οποίοι δεν είναι εξουσιοδοτημένοι από τη Grundig) θα καταστήσουν άκυρη την εγγύηση.

Εξ ιδίων επισκευή

Εξ ιδίων επισκευή μπορεί να γίνει από τον τελικό χρήστη σε σχέση με τα εξής ανταλλακτικά: λαβές πόρτας, μεντεσέδες πόρτας, δίσκους, καλάθια, και στεγανοποιήσεις πόρτας (μια ενημερωμένη λίστα είναι διαθέσιμη και στο support.grundig.com από 1η Μαρτίου 2021).

Επιπλέον, για τη διασφάλιση της ασφάλειας των προϊόντων και για την αποτροπή κινδύνου σοβαρού τραυματισμού, η αναφερθείσα εξ ιδίων επισκευή θα γίνεται με τήρηση των οδηγιών στο εγχειρίδιο χρήστη σχετικά με την εξ ιδίων επισκευή ή των οδηγιών που είναι διαθέσιμες στο support.grundig.com Για την ασφάλειά σας, αποσυνδέστε από την πρίζα το προϊόν πριν επιχειρήσετε οποιαδήποτε εξ ιδίων επισκευή.

Επισκευή και προσπάθειες επισκευής από τελικούς χρήστες για εξαρτήματα που δεν περιλαμβάνονται σε μια τέτοια λίστα και/ή χωρίς τήρηση των οδηγιών στα εγχειρίδια χρήστη για εξ ιδίων επισκευή ή οι οποίες είναι διαθέσιμες στο support.grundig.com, μπορεί να δημιουργήσουν προβλήματα ασφάλειας που δεν μπορούν να αποδοθούν στη Grundig, και θα ακυρώσουν την εγγύηση του προϊόντος

Επομένως, συνιστάται θερμά οι τελικοί χρήστες να απέχουν από προσπάθειες διενέργειας επισκευών που δεν εμπίπτουν στην αναφερθείσα λίστα ανταλλακτικών, απευθυνόμενοι σε αυτές τις περιπτώσεις σε εξουσιοδοτημένους επαγγελματίες τεχνικούς επισκευών ή σε αναγνωρισμένους επαγγελματίες τεχνικούς επισκευών. Αντιθέτως, τέτοιου είδους προσπάθειες από τελικούς χρήστες μπορεί να προκαλέσουν προβλήματα ασφάλειας και να προξενήσουν ζημιά στο προϊόν και συνεπώς να προκαλέσουν πυρκαγιά, πλημμύρα, ηλεκτροπληξία και σοβαρό τραυματισμό.

Για παράδειγμα, αλλά χωρίς περιορισμό σε αυτές, οι ακόλουθες επισκευές πρέπει να ανατίθενται σε εξουσιοδοτημένους επαγγελματίες τεχνικούς επισκευών ή σε αναγνωρισμένους επαγγελματίες τεχνικούς επισκευών: συμπίεστής, ψυκτικό κύκλωμα, κύρια πλακέτα, πλακέτα αντιστροφέα, πλακέτα οθόνης κλπ.

Ο κατασκευαστής/πωλητής δεν μπορεί να θεωρηθεί υπεύθυνος σε καμία περίπτωση μη συμμόρφωσης των τελικών χρηστών με τα οριζόμενα παραπάνω.

Ο χρόνος διαθεσιμότητας ανταλλακτικών για το ψυγείου ψυγείου σας ανέρχεται σε 10 έτη.

Στη διάρκεια αυτής της περιόδου, θα υπάρχουν διαθέσιμα γνήσια ανταλλακτικά για τη σωστή λειτουργία του ψυγείου.

Η ελάχιστη διάρκεια της εγγύησης του ψυγείου που προμηθευτήκατε είναι 24 μήνες.

Αυτό το προϊόν είναι εξοπλισμένο με φωτεινή πηγή ενεργειακής κλάσης "G".

Η φωτεινή πηγή στο προϊόν αυτό θα πρέπει να αντικαθίσταται μόνο από επαγγελματίες επισκευαστές.

GRUNDIG

NO

Reklamasjon og servicehåndtering.

solgt til forbruker i Norge, er underlagt Lov om forbrukerkjøp. Der det inntreffer feil eller mangler som omfattes av loven innen lovens frister, utbedres dette uten omkostninger for deg. Feil eller skader som oppstår, som er brukerbetinget eller ligger utenfor leverandørens Produkter kontroll, omfattes ikke av loven. En reparasjon vil da normalt belastes bruker. Ved næringskjøp gjelder kjøpsloven.

Grundig dekker ikke.

Feil eller mangler som har oppstått pga.

- Mangelfullt vedlikehold eller behandling i strid med brukerveiledning.
- Inngrep og reparasjoner utført av uautorisert personell, eller bruk av uoriginale reservedeler.
- Unormale spenningsvariasjoner utover merkespenningen, lynnedslag, elektriske forstyrrelser eller evt. uregelmessigheter i vannforsyningen.

Reservevedeler.

Informasjon om bestilling av reservedeler finner du på: www.grundig.no

Ved bestilling av reservedeler må det opplyses om modellbetegnelse og serienummer på produktet. Denne informasjonen finnes på

Anmodning om service.

Grundig har lokale serviceverksteder over hele landet.

Ved tekniske henvendelser må følgende informasjon oppgis / fremvises:

- Navn
- Adresse
- Telefon
- Modellbetegnelse
- Serienummer
- Kjøpsdato / Kjøpskvittering
- Feilbeskrivelse

Beko Nordic As

Glynitveien 25

1400 Ski - NO

Tlf +47 815 59 590

hvitevareservice@grundig.com

DK

Reklamation og servicehåndtering

Produkter solgt til forbruker i Danmark, er underlagt lov om forbrukerkjøp. Om der oppstår feil eller mangler der er omfattet af loven indenfor de givne garantifrister, udbedres disse uden omkostninger. Dækningen forudsætter brug i normal privat husholdning.

Fejl eller skader der er brugsbetingede eller ligger udenfor leverandørens kontrol omfattes ikke af loven. En reparation vil da normalt belastes brugeren.

Grundig dækker ikke.

Fejl eller mangler som er opstået pga.

- Mangelfuld vedligehold eller behandling i strid med brugervejledning.
- Indgreb og reparationer udført af uautoriseret personel, eller brug af uoriginale reservedele.

- Unormale spændingsvariationer lynnedslag, elektriske forstyrrelser eller evt. uregelmæssigheder i vandforsyningen.

Reservevedele.

Information om bestilling af reservedele finder du på: www.grundig.dk

Ved bestilling af reservedele må modelbetegnelse og serienummer på produktet oplyses. Denne information findes på typeskiltet på produktet.

Anmodning om service.

Grundig har lokale serviceværksteder over hele landet.

Ved tekniske henvendelser må følgende information opgives / fremvises:

- Navn
- Adresse
- Telefon

- Modelbetegnelse
- Serienummer
- Kjøbsdato / Købskvittering
- Fejlbeskrivelse

Beko Nordic AS (Denmark branch)
Glynitveien 25

1400 Ski - NO
Tlf +45 70 80 87 77
hvidevareservice@grundig.com
www.grundig.dk

SE

Reklamation och servicehantering.

Produkter som sålts till konsumenter i Sverige omfattas av lagen om konsumentköp. Om det förekommer fel eller brister som omfattas av lagen om lagstadgade tidsfrister sker reparation utan kostnad för konsument. Defekter eller skador som uppstår, som är användarrelaterade eller ligger utanför leverantörens kontroll omfattas inte av lagen. En ev reparation kommer då normalt att bekostas av användaren. Vid näringsköp gäller köplagen.

Grundig täcker inte.

Skador eller defekter som uppstått pga.

- Bristande underhåll eller behandling som strider mot bruksanvisningen.
- Ingrepp eller reparationer utförd av icke behörig personal, eller användningen av icke godkända reservdelar.
- Onormala spänningsvariationer utöver markspänning, blixtnedslag, elektriska störningar eller oegentligheter med vattenförsörjning.

Reservdeler.

Information för beställning av reservdeler finner du på: www.grundig.se
Vid beställning av reservdeler måste modell samt serienummer på produkt uppges. Denna information finns på typskylten av produkten.

Servicefrågor.

Grundig har lokala serviceverkstäder över hela landet.
Vid tekniska frågor måste följande information uppges / visas:

- Namn
- Adress
- Telefon
- Modell
- Serienummer
- Köpekvitto / Kvittokopia
- Felbeskrivelse

Beko Nordic AB
Esbogatan 18
164 94 Kista - SE
Tlf +46 (0)770 456 330
vitvaruservice@grundig.com
www.grundig.se

FI

Reklamaatiot ja huolto:

Suomessa kuluttajalle myydyt tuotteet kuuluvat kuluttaja-suojalain piiriin. Grundig katkaa korjauskustannukset valmistus- ja materiaaliveioissa viitaten kyseisen maan voimassa oleviin säännöksiin. Edellytyksenä, on että tuote on ostettu uutena Suomessa. Lisäksi edellytetään, että korjaus suoritetaan valtuutetulla huoltoliikkeellä. Edellytämme, että laite ei ole muussa kuin yksityisessä kotikäytössä.

Grundig ei kata:

Vaurioita tai vikoja jotka johtuvat esim.

- Asennus ja käyttö on tehty käyttöohjeiden vastaisesti.
- Vian tai puutteen takia korjausta, jos se on seurausta virheellisestä asennuksesta tai sijoituspaikasta.
- Korjausta, joka on seurausta muiden kuin valtuutetun huoltajan korjauksesta.
- Vikoja, jotka ovat seurausta tulipalosta, tulvistä tai vastaavista (force majeure).
- Korjauksia tai vikoja jotka ovat seurausta ukkosesta, sähkö-vioista, jännitevaihteluista tai talon sähkö- ja vesiasennuksista.

Varaosat:

Ohjeet varaosien tilaamiseen löydät kotisivuiltamme: www.grundig.fi

Varaosia tilattaessa on ilmoitettava laitteen malli sekä sarjanumero. Mainitut tiedot löytyvät tuotteen tyyppimerkistä.

Huoltoihin liittyvät kysymykset:

Grundigilla on koko maata kattava huoltoliikverkosto:

Huoltoon liittyvissä kysymyksissä seuraavat tiedot ovat tärkeitä ilmoittaa:

- Nimi
- Osoite
- Puhelin
- Malli
- Sarjanumero
- Kuitti / Kuittikopio
- Vian kuvaus

Beko Nordic AB (Fin. rep office)

Esbogatan 18

164 74 Kista - SE

Puh **+358 (0) 800 152 152**

kodinkonehuolto@grundig.com

www.grundig.fi

Notes

A series of horizontal dotted lines for writing notes.

Notes

A series of horizontal dotted lines for writing notes.