
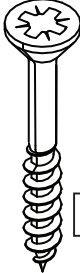


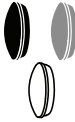




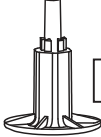
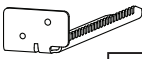




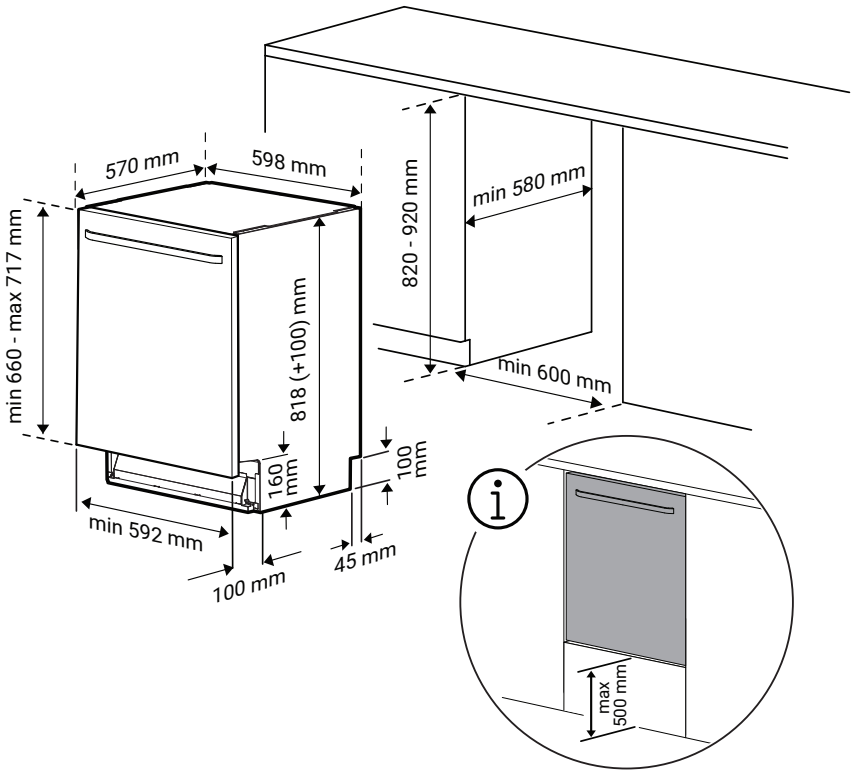
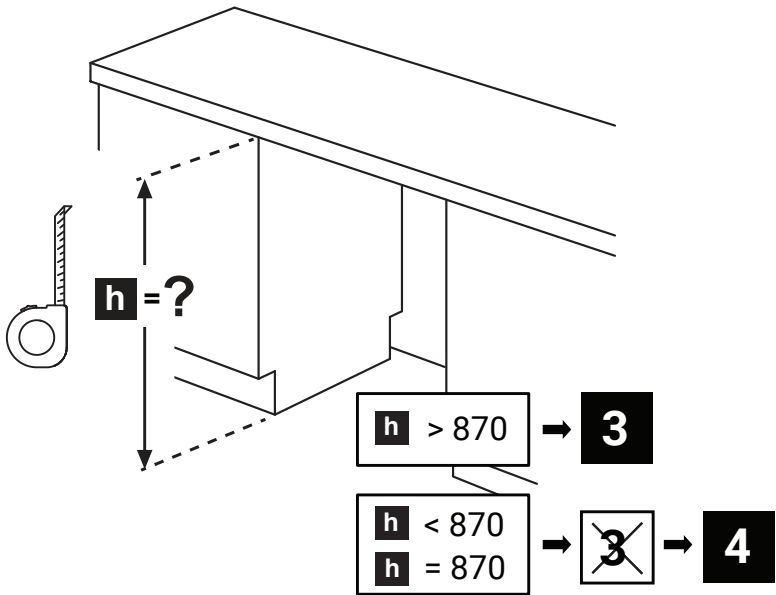


<p>Ø 4 x 13 mm</p>  <p>A</p> <p>4x</p>	<p>Ø 4 x 36 mm</p>  <p>B</p> <p>4x</p>	<p>Ø 3,5 x 14 mm</p>  <p>E</p> <p>2x</p>	<p>Ø 4 x 6 mm</p>  <p>C</p> <p>2x</p>	 <p>D</p> <p>2x</p>
 <p>H</p> <p>1x</p>	 <p>L</p> <p>1x</p>	 <p>R</p> <p>1x</p>	 <p>F</p> <p>4x</p>	 <p>K</p> <p>4x</p>
 <p>M</p> <p>2x</p>	 <p>S</p> <p>1x</p>	 <p>N</p> <p>1x</p>	 <p>P</p> <p>1x</p>	 <p>O</p> <p>1x</p>

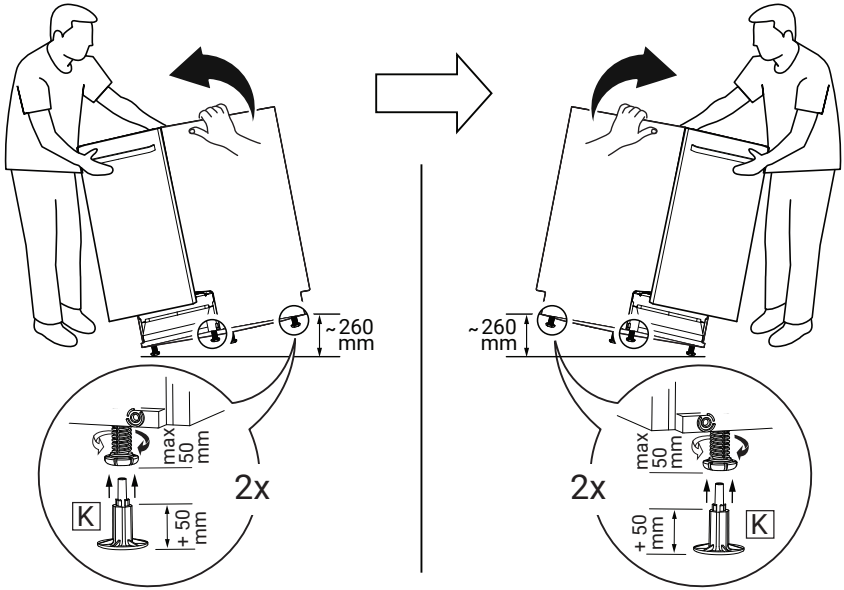
1



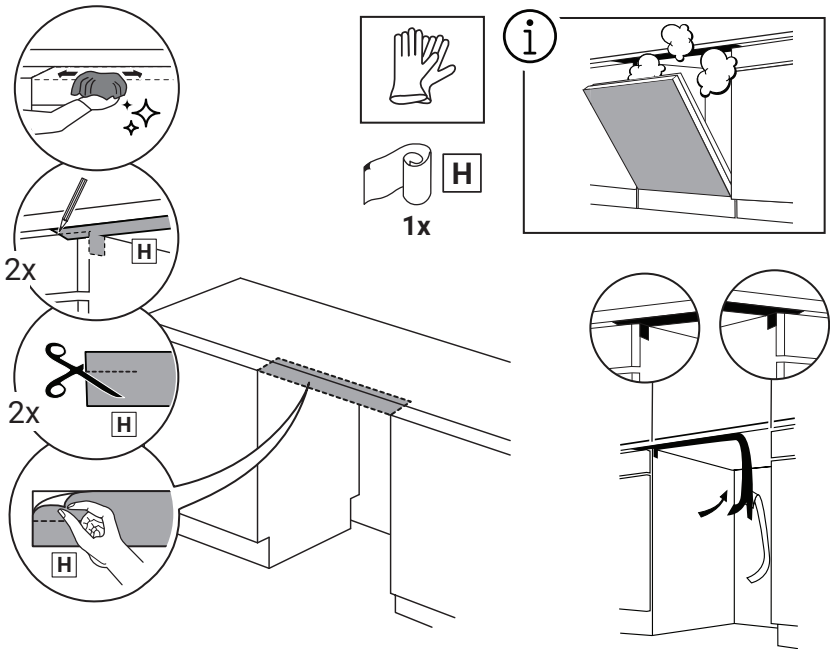
2



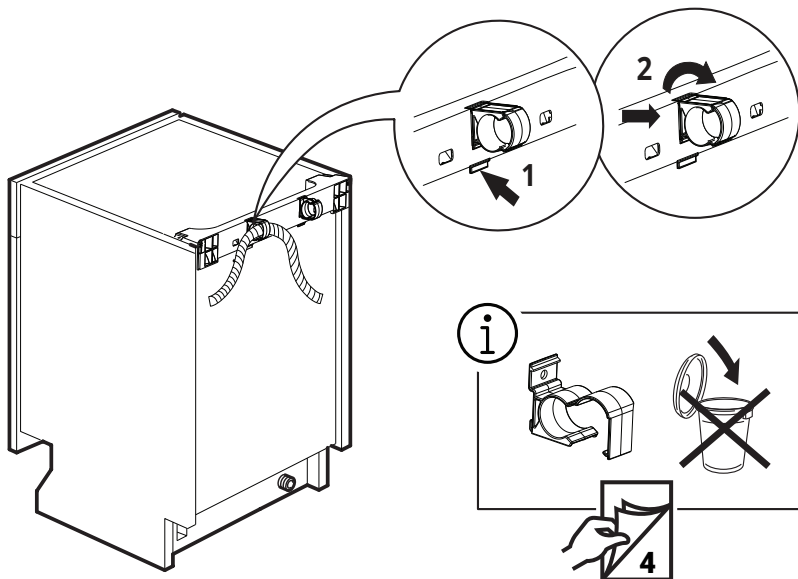
3



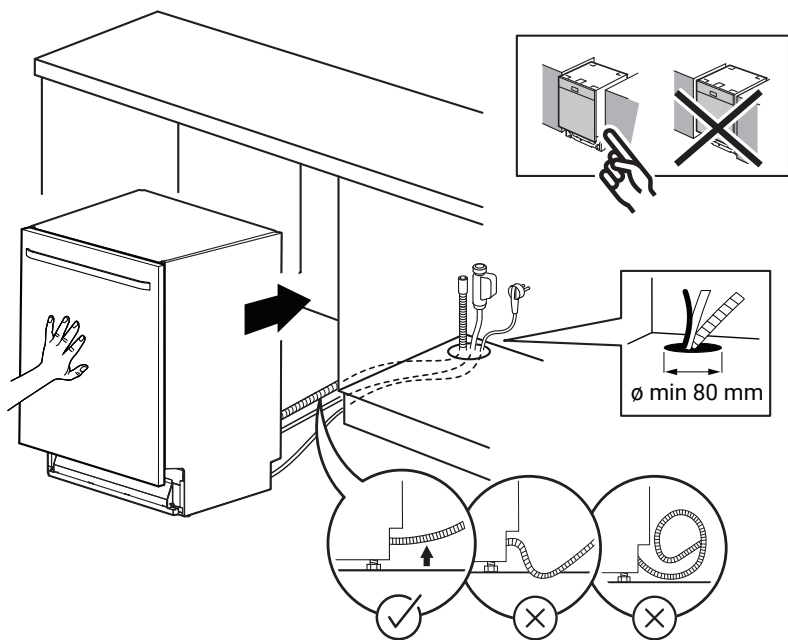
4



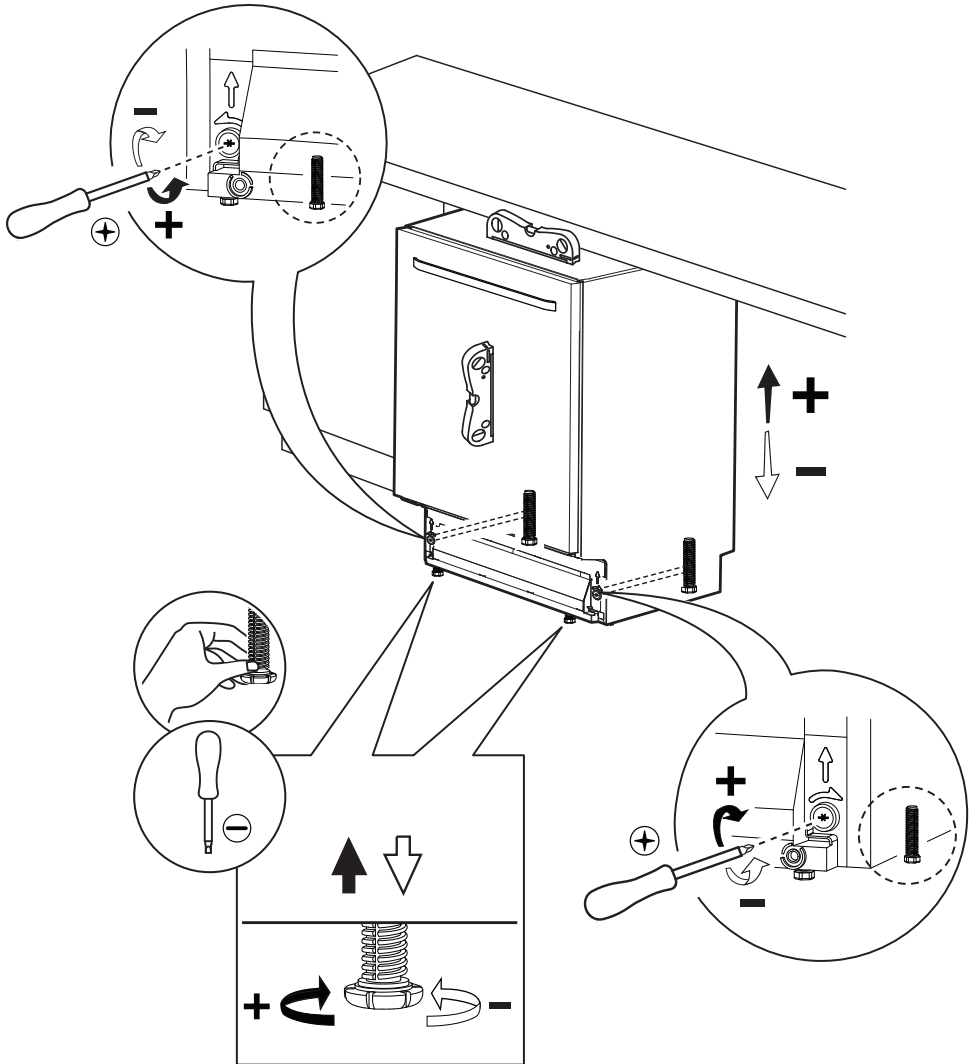
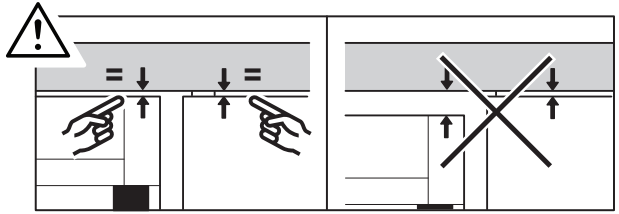
5



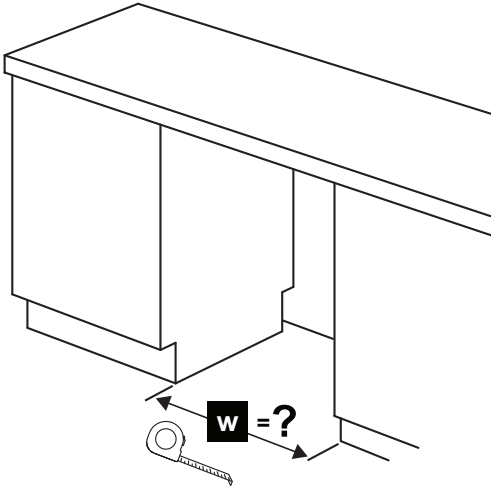
6



7



8



w > 610

↓

9	10	11
---	---------------	----

- 1x L
- 1x R
- 4x A
- ~~4x F~~
- ~~4x B~~

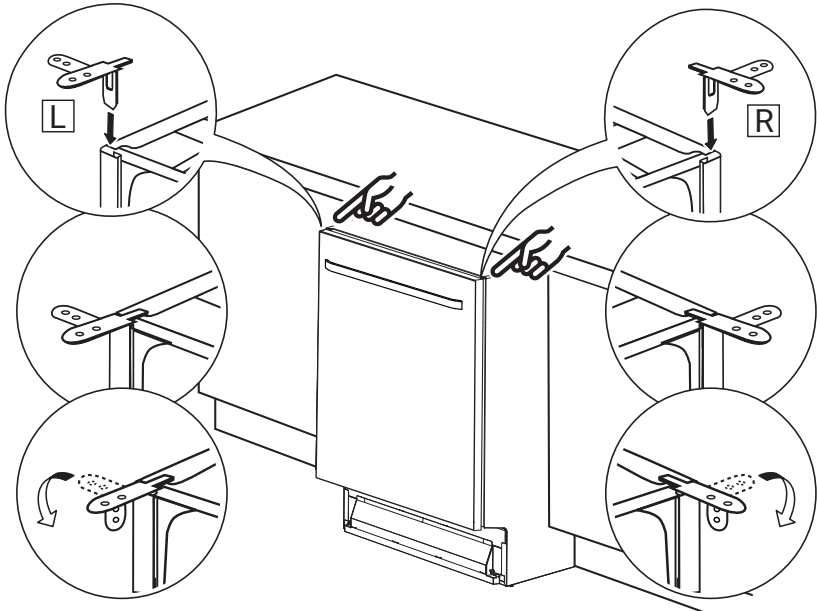
w = 600-610

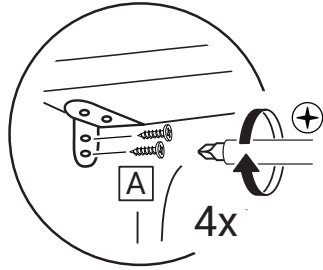
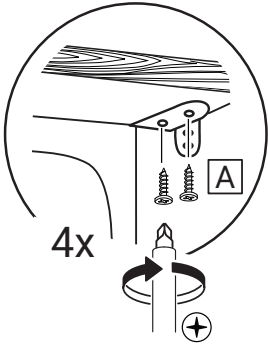
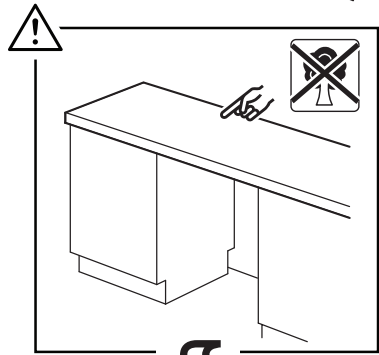
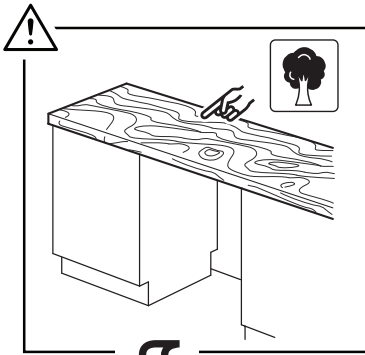
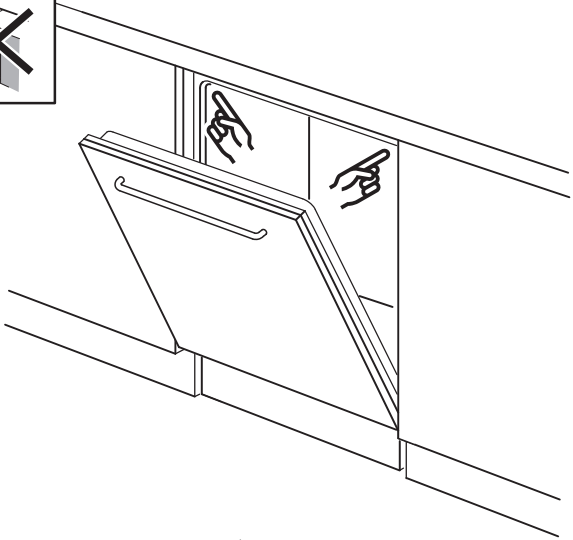
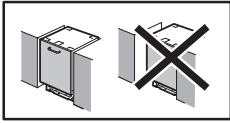
↓

9	10	11
--------------	----	----

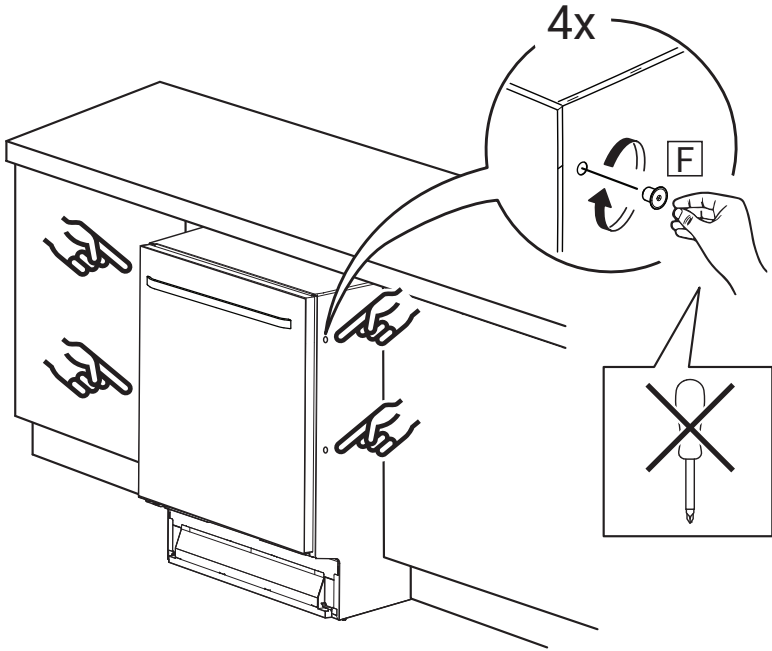
- 1x L
- ~~1x R~~
- 4x A
- 4x F
- 4x B

9 a

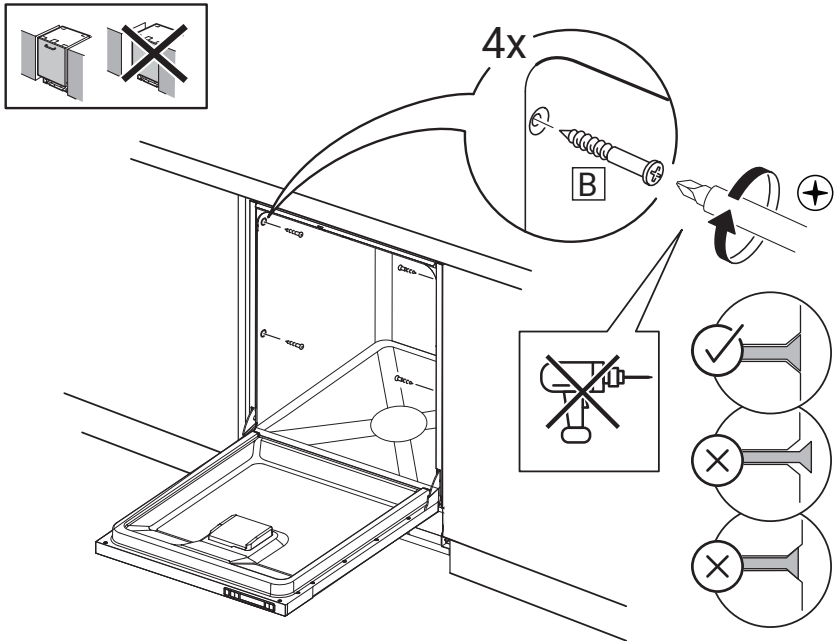




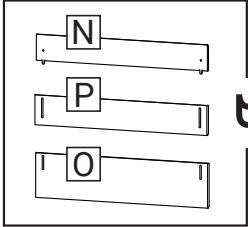
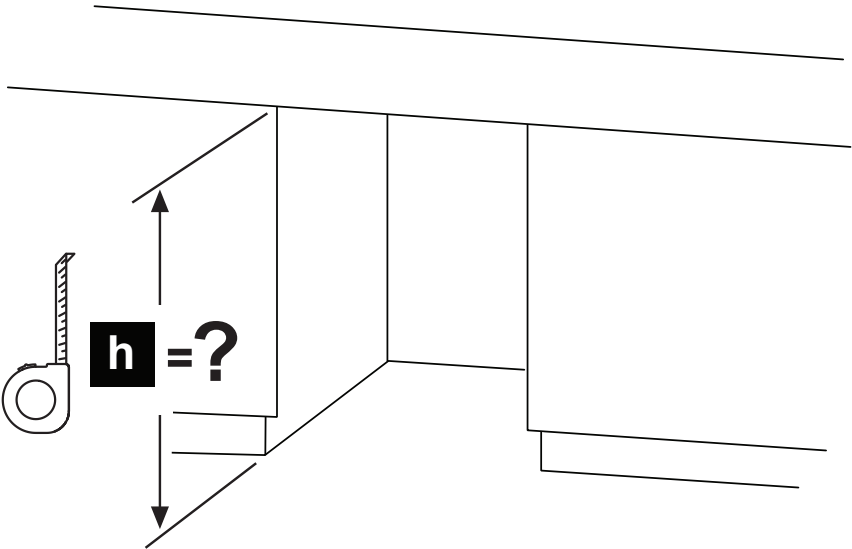
10
a



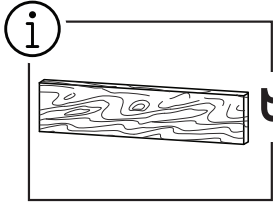
10
b



11

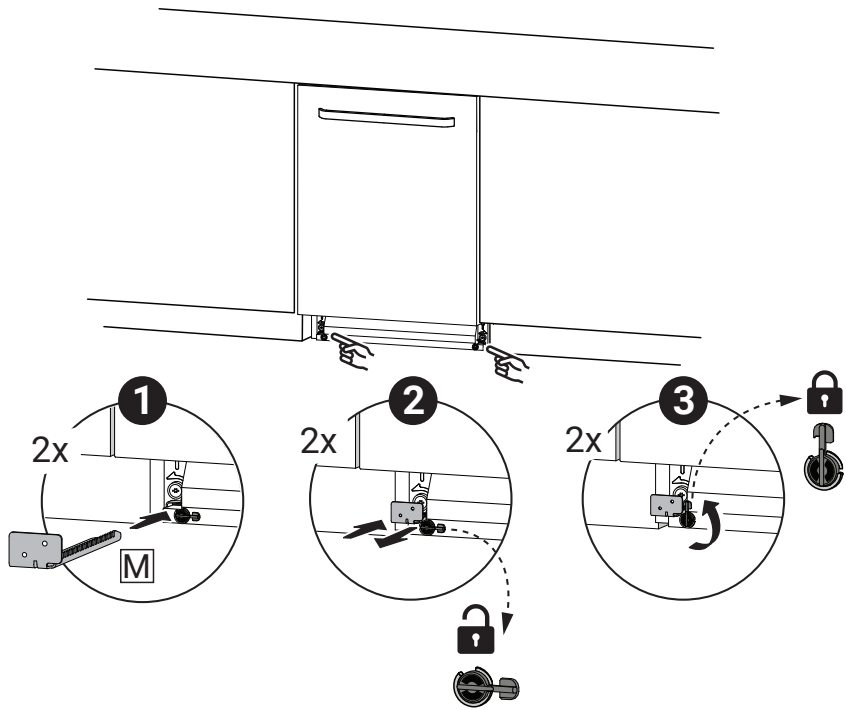


h = 820 - 840 mm	→	12	→	13	
h = 841 - 870 mm	→	12	13	14	
h = 871 - 920 mm	→	12	13	14	15

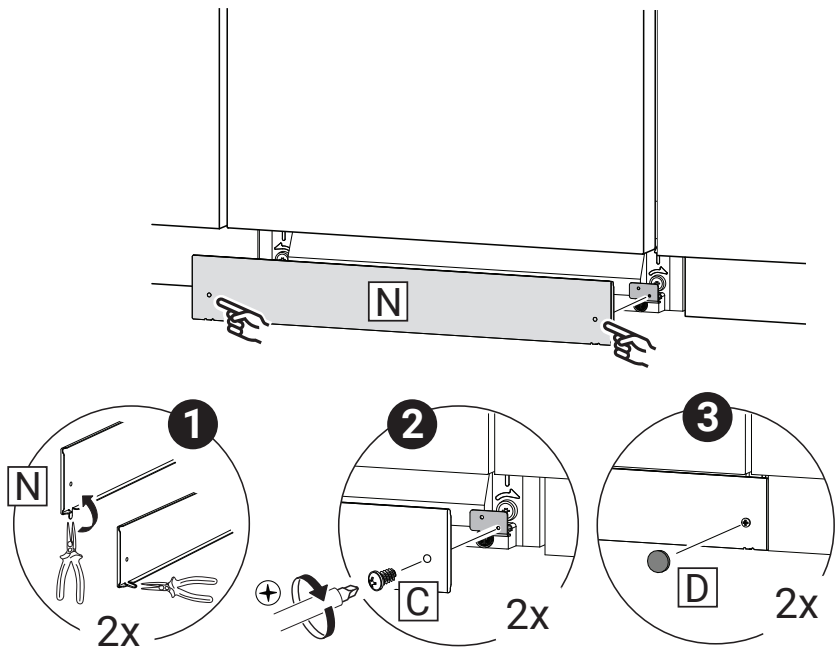


16

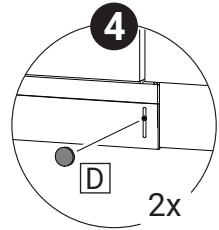
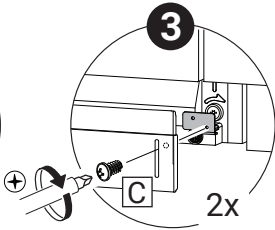
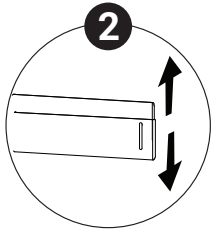
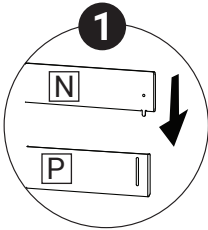
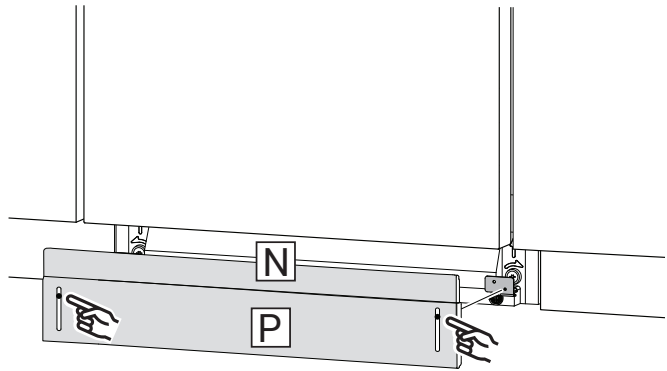
12



13



14



15

